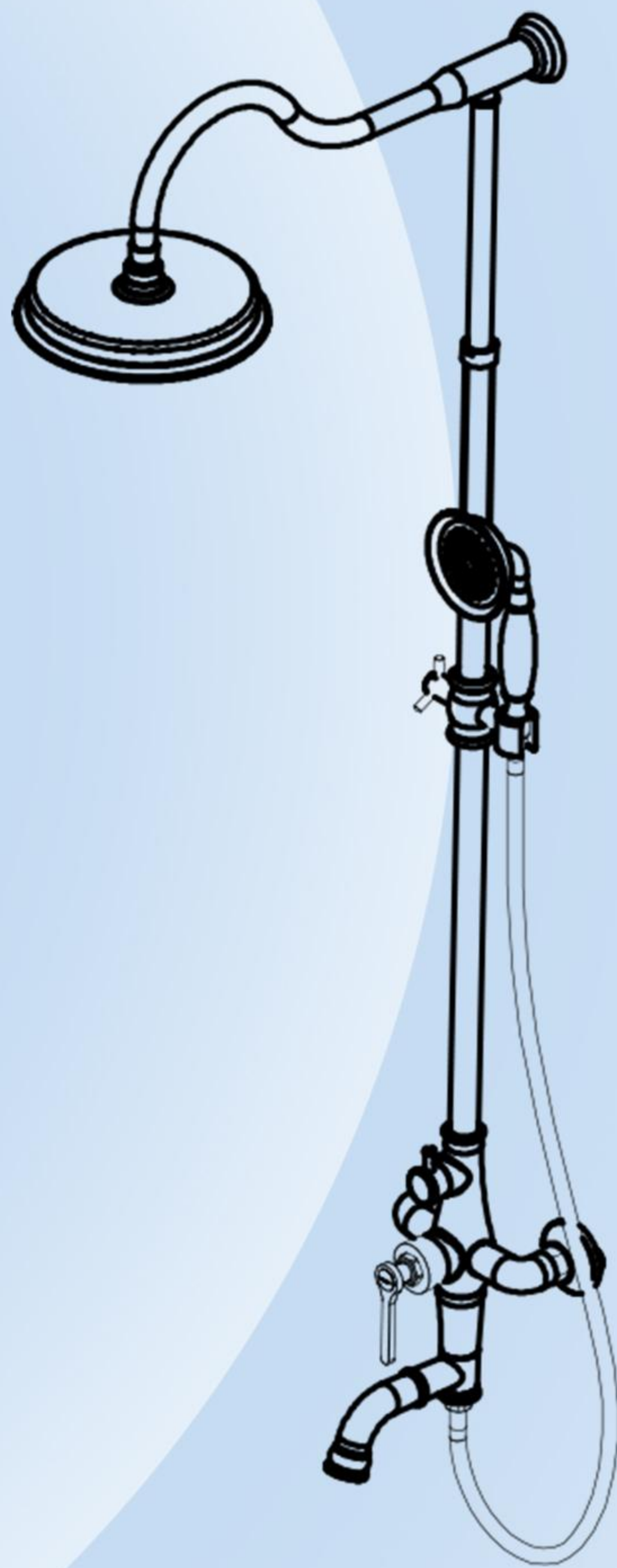
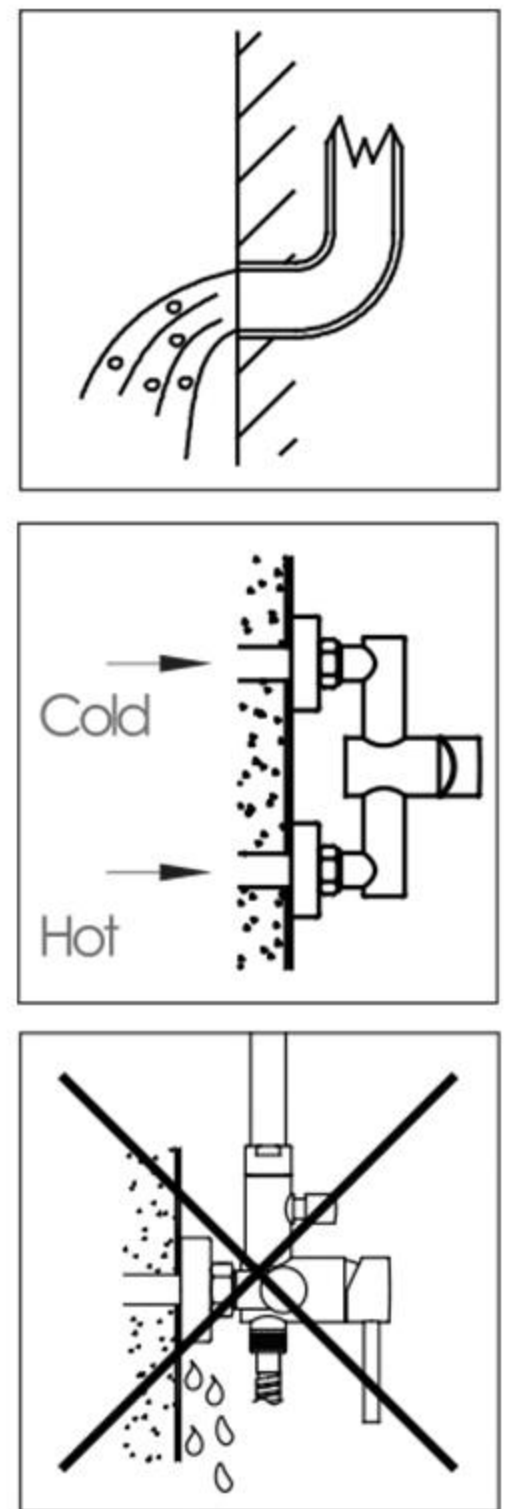


# Shower System User Manual



## 1 Installation Guidelines

1. When opening the package, refer to the "Package Contents" and ensure all parts are present.
2. Make sure the basin you purchase matches the size of the mixer (faucet).
3. Do not disassemble the mixer body yourself.
4. Connect the inlet hoses to the supply stopper: the left hose to the hot water supply, and the right hose to the cold water supply.
5. Before installation, ensure:  
The inlet pipes and supply stopper are installed and clean.  
There are no impurities in the pipeline.
6. After finishing the installation, check all joints and connections for leaks.
7. The water pressure should be between 0.05 MPa and 0.75 MPa, including cold water pressure.



### Kind Tips:

It is recommended to install the faucet after the house has been properly cleaned.  
Suggestion: If the faucet is located in a highly corrosive environment, clean the faucet surface frequently to maintain its lifespan.

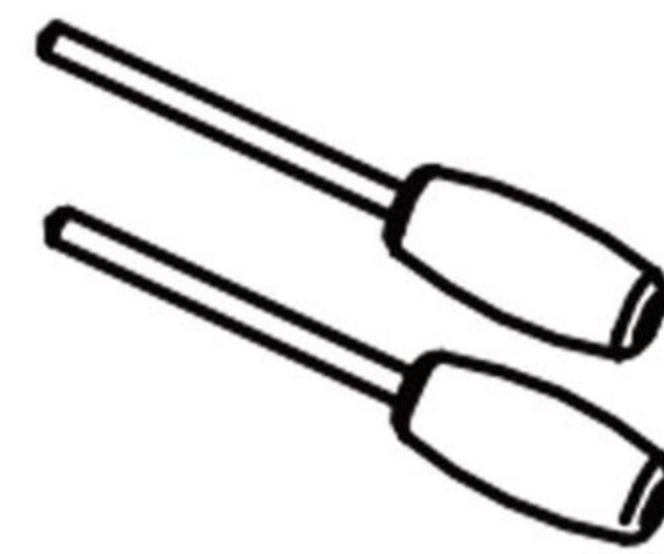
### Recommended tools:



•Water sealant



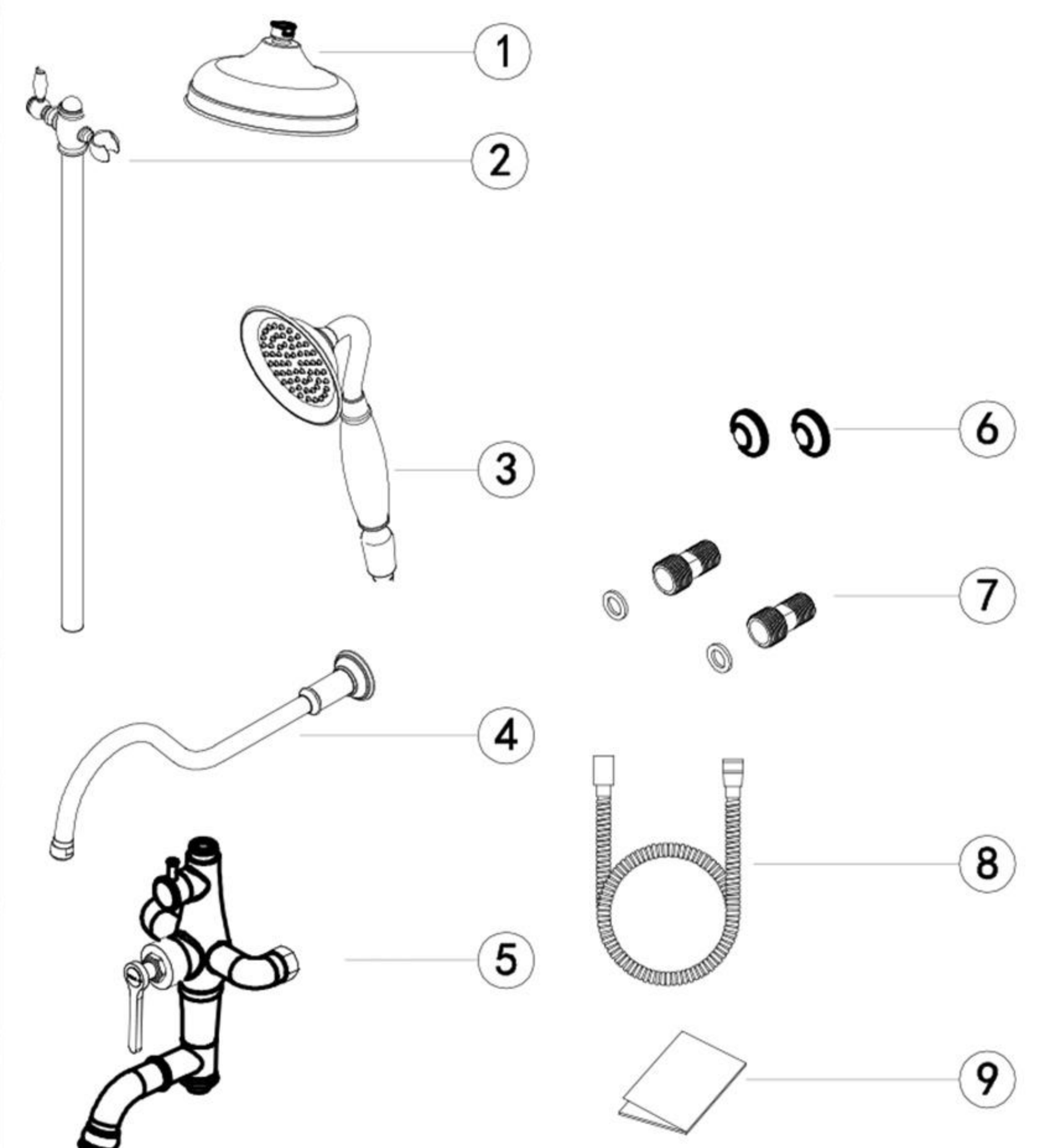
•Allen key



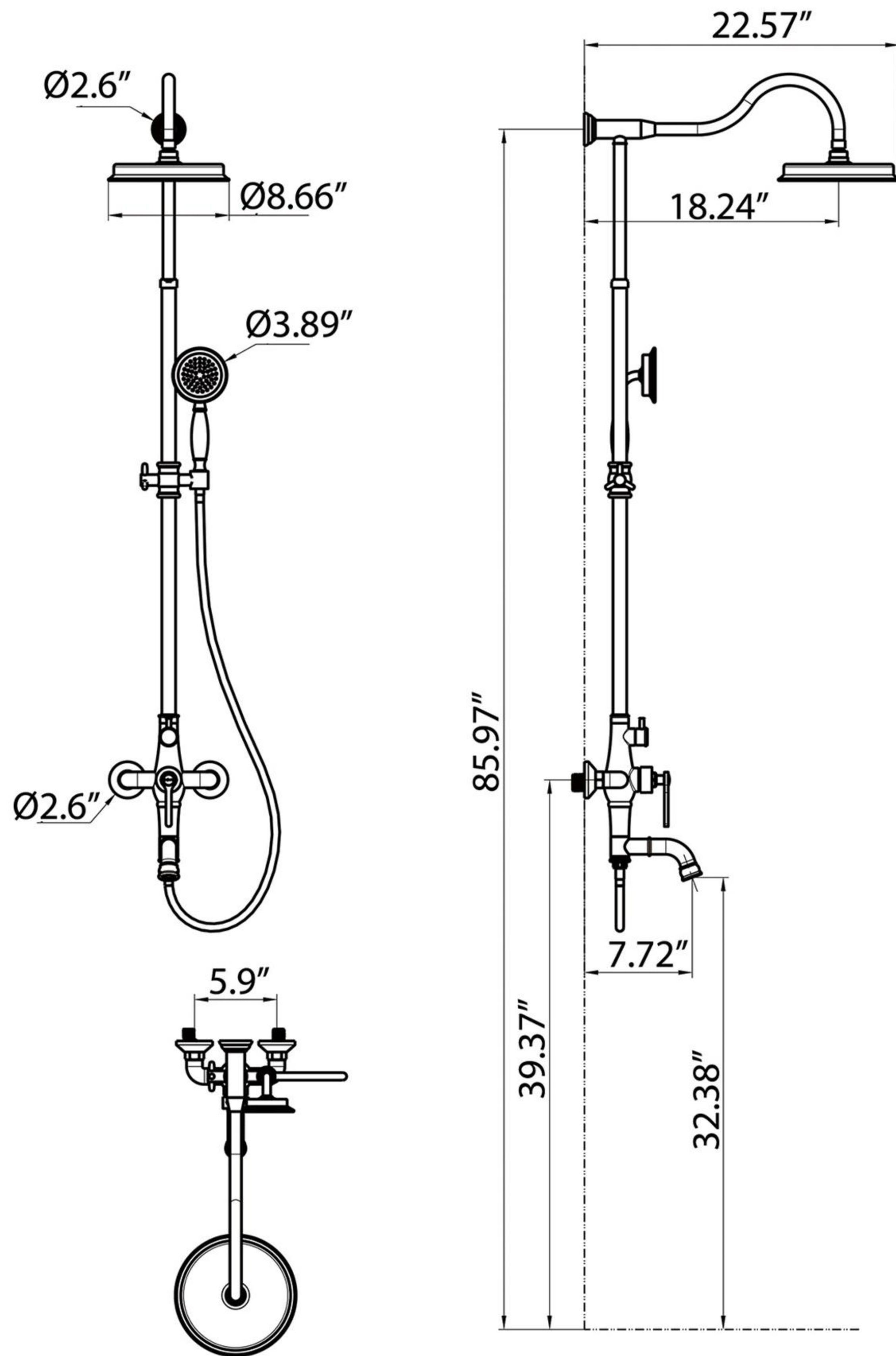
•Flat screwdriver  
•Cross screwdriver

## 2 Included Items

NO.	Part name	Quantity
1	Overhead Shower	1
2	Shower Pipe	1
3	Handheld Shower	1
4	Elbow Pipe	1
5	Main Body	1
6	Decorative Cup	1
7	Curved Foot	1 set
8	Shower Hose	1 set
9	Manual	1

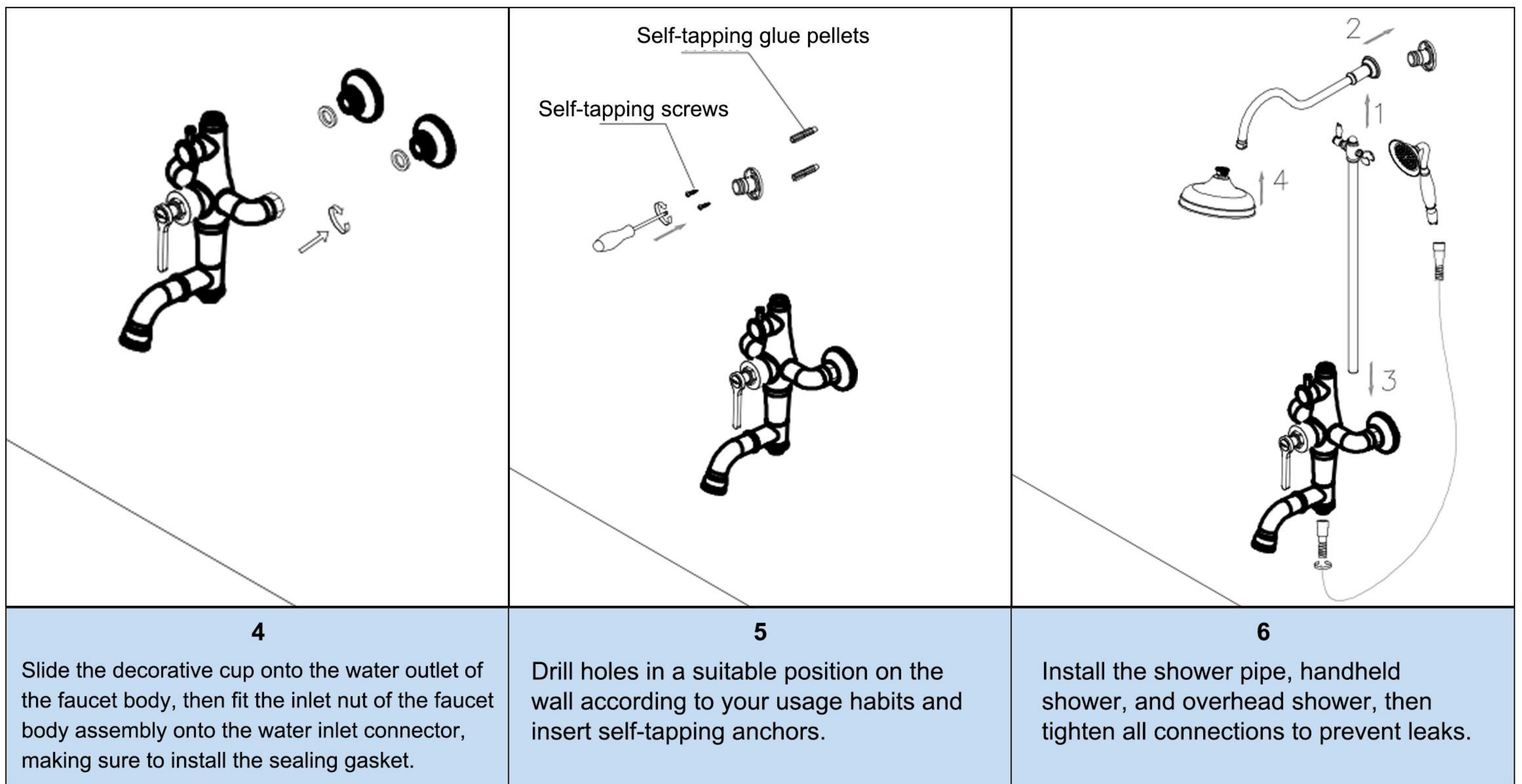


### 3 Dimension Diagram



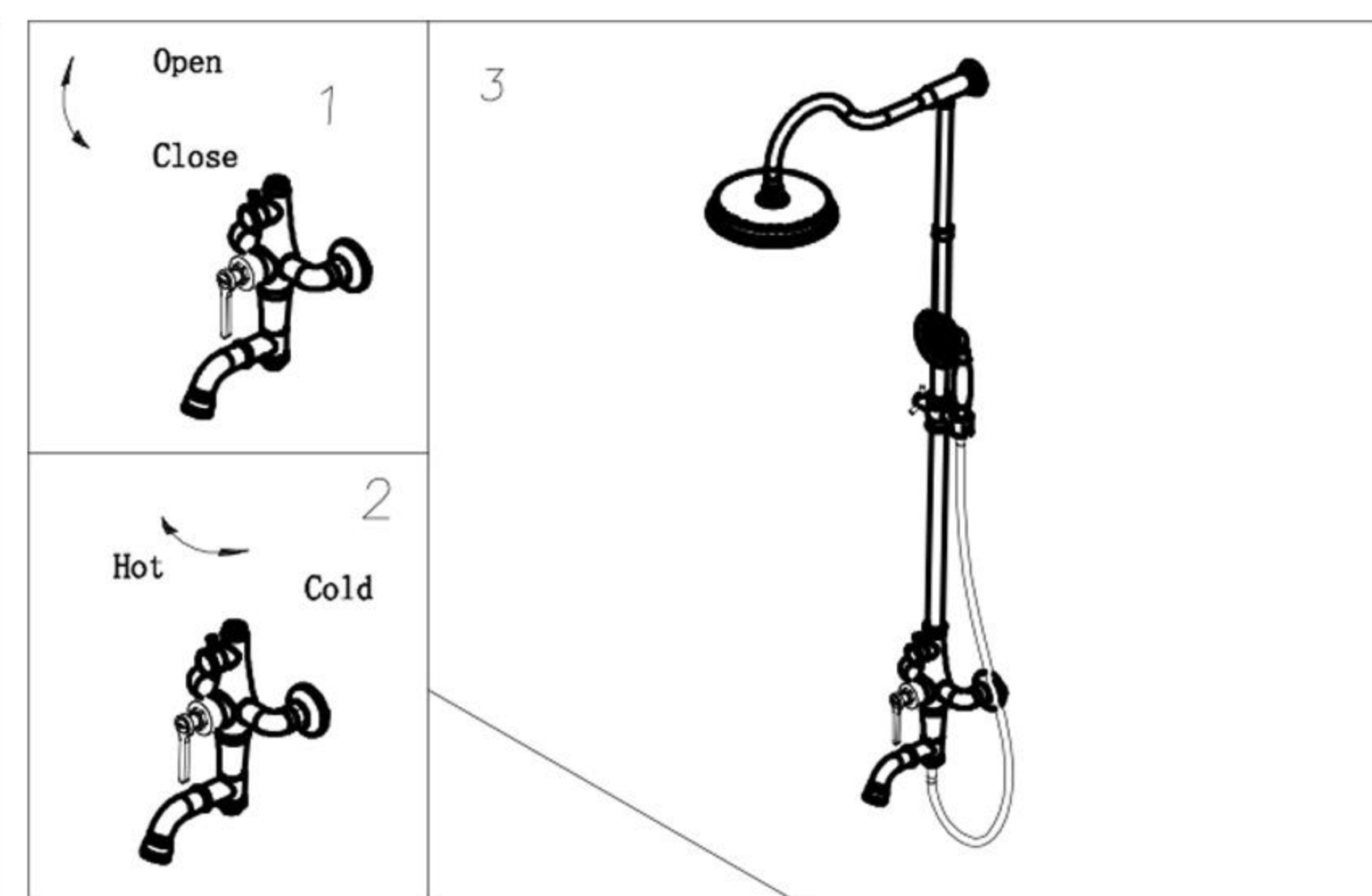
### 4 Installation Steps

<p>Hot water pipe connection</p> <p>Cold water pipe connection</p> <p>5.9"</p> <p>35.4"-39.4"</p>	<p>Water inlet joint</p>	<p>Decorative Cup</p>
<p><b>1</b></p> <p>Use the installation positioning board to pre-embed the cold and hot water pipes and outlet pipes according to the dimensions in the diagram, ensuring proper distance and level of the pipes.</p>	<p><b>2</b></p> <p>Wrap the water inlet connector with Teflon tape and connect it to the pre-embedded water pipes.</p>	<p><b>3</b></p> <p>Slide the decorative cover onto the water connector and rotate it until flush with the wall. Then, attach the in-wall water outlet to the decorative cover, wrap with Teflon tape, and connect to the pre-embedded outlet pipe.</p>



## 5 User Guide

1. Gradually move the handle to better protect the valve core.
2. Lift the handle to turn on the faucet; the higher you lift, the stronger the water flow will be (as shown in the right image 1).
3. Turn the handle clockwise to increase hot water flow and decrease cold water, raising the water temperature; turn it counterclockwise to decrease hot water flow and increase cold water, lowering the water temperature (as shown in the right image 2).
4. When the faucet is on, the spout facing forward means water comes out from the spout (as shown in the right image 3); swing the spout 90 degrees to the left to switch to the handheld shower (as shown in the right image 4).



## 6 Mixer Care and Maintenance Tips

### a. Regular Cleaning:

For daily or regular cleaning, simply wash the mixer with clean water and wipe it dry with a soft cotton cloth.

Avoid using cleaning powder, polishing powder, abrasive detergents, or nylon brushes, as these can scratch and damage the surface.

Do not use acidic cleaning agents. If the mixer comes into contact with any harmful acids, rinse it immediately with clean water.

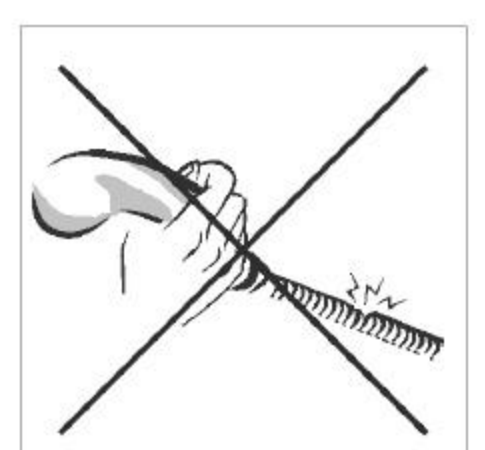
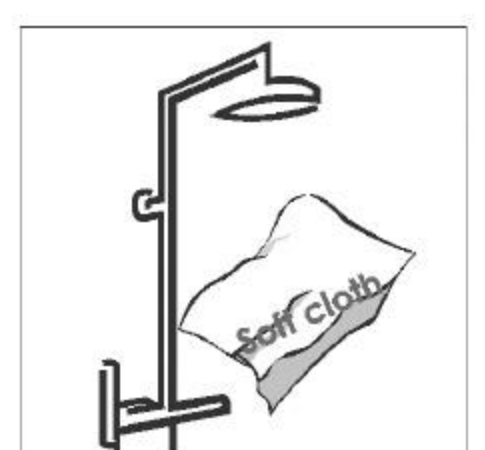
### b. Deep Cleaning:

For deeper cleaning:

First, remove as much dirt and grime as possible with clean water and a soft cloth. Then, use one of the following cleaning agents:

- Mild liquid cleanser
- Colorless glass cleaner with no abrasives (ensure it completely dissolves according to instructions)
- Non-abrasive polish liquid

After cleaning, thoroughly rinse off all cleaning agent with clean water and wipe dry with a soft cotton cloth.



For customer support or assistance with product installation, please feel free to contact us:

Our dedicated support team is available to assist you and provide the best customer service experience. Please don't hesitate to reach out if you have any questions or encounter any issues.