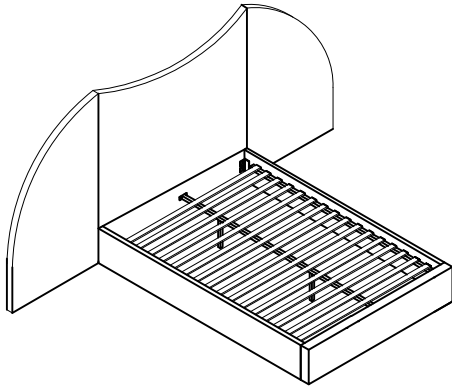
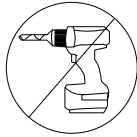


# ASSEMBLY INSTRUCTIONS

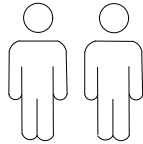
## BED - QUEEN



**+ Do Not Use Power Tools**



**+ Suggested Adults**



NOTE :

- 1 Read instructions cover to cover.
- 2 Save all packaging until assembly is completed.

### 1 IMPORTANT SAFETY INFORMATION

Do not assemble the product if any of the following parts arrived damaged:

- Part #③ -Side Rails
- Part #④ -Slats joint
- Part #⑤ -Center Support Bar
- Part #⑥ -Support Legs

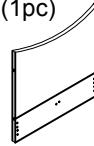
### 2 IMPORTANT ASSEMBLY INFORMATION

Assembly Step ② Ensure the side rail bracket is fully hooked onto bolt **A** loosely threaded with both washers on the **OUTSIDE** of the bracket first, then proceed to fully tightening all 4 corners.

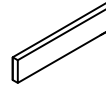
\*Slats come packed in the bottom of headboard carton.

### + Parts Included

① Head Board (1pc)



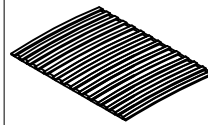
② Foot Board (1pc)



③ Side Rails (2pcs)



④ Slats joint (1set=13pcs)



⑤ Center Support Bar (1pc)



⑥ Support Legs (2pcs)



\*Slats come packed in the bottom of headboard carton.

⑦ Left wing (1pc)



⑧ Right wing (1pc)



### + Hardware Included

A Bolt M8\*30mm (24pcs)



B Flat Washer  $\phi 22$  (4pcs)



C Bolt M8\*75mm (4pcs)



D Spring Washer (16pcs)



E Flat Washer  $\phi 20$  (24pcs)



F M8 Allen Key (1pc)



G Nut M8\*13mm (4pcs)



H Spanner (1pc)



# ASSEMBLY INSTRUCTIONS

## BED - QUEEN

