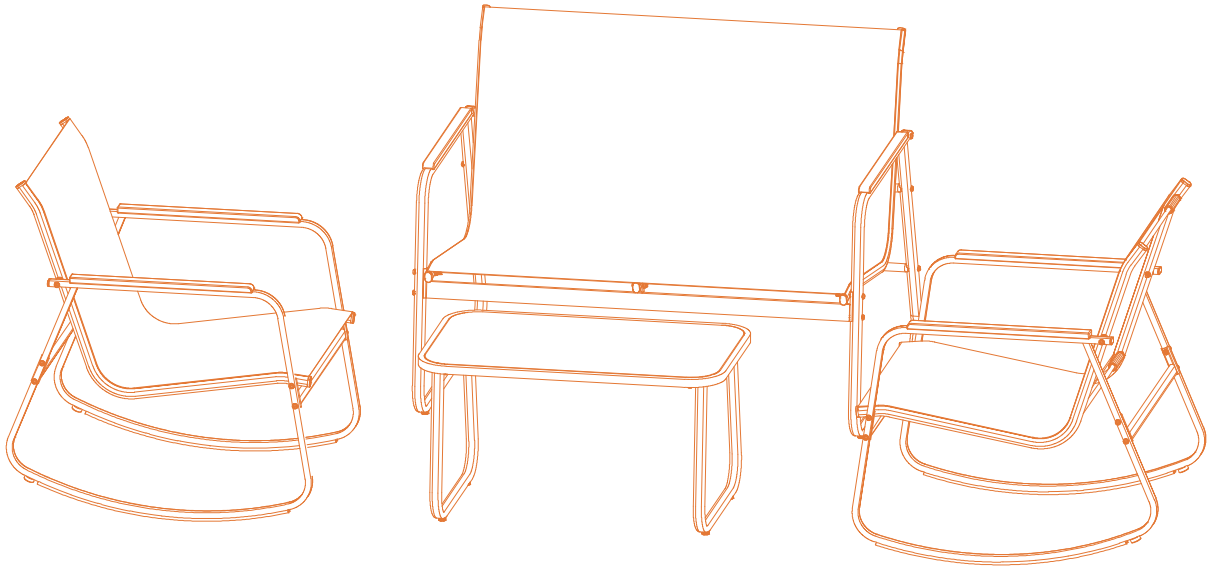




x 2

Outdoor Conversation Set



HELP CENTER

Have questions about this product? Contact us, and we'll assist you!

CENTRO DE AYUDA

¿Tienes preguntas sobre tu producto? Ponte en contacto con nosotros y te ayudaremos.

FAQ

Q1: What should I do if the product I received is damaged or incorrect?

A1: If you've received a damaged, incorrect, or incomplete product, please reach out to our Customer Support Center. Include your order number and photos

Q2: What should I do if I encounter problems during installation?

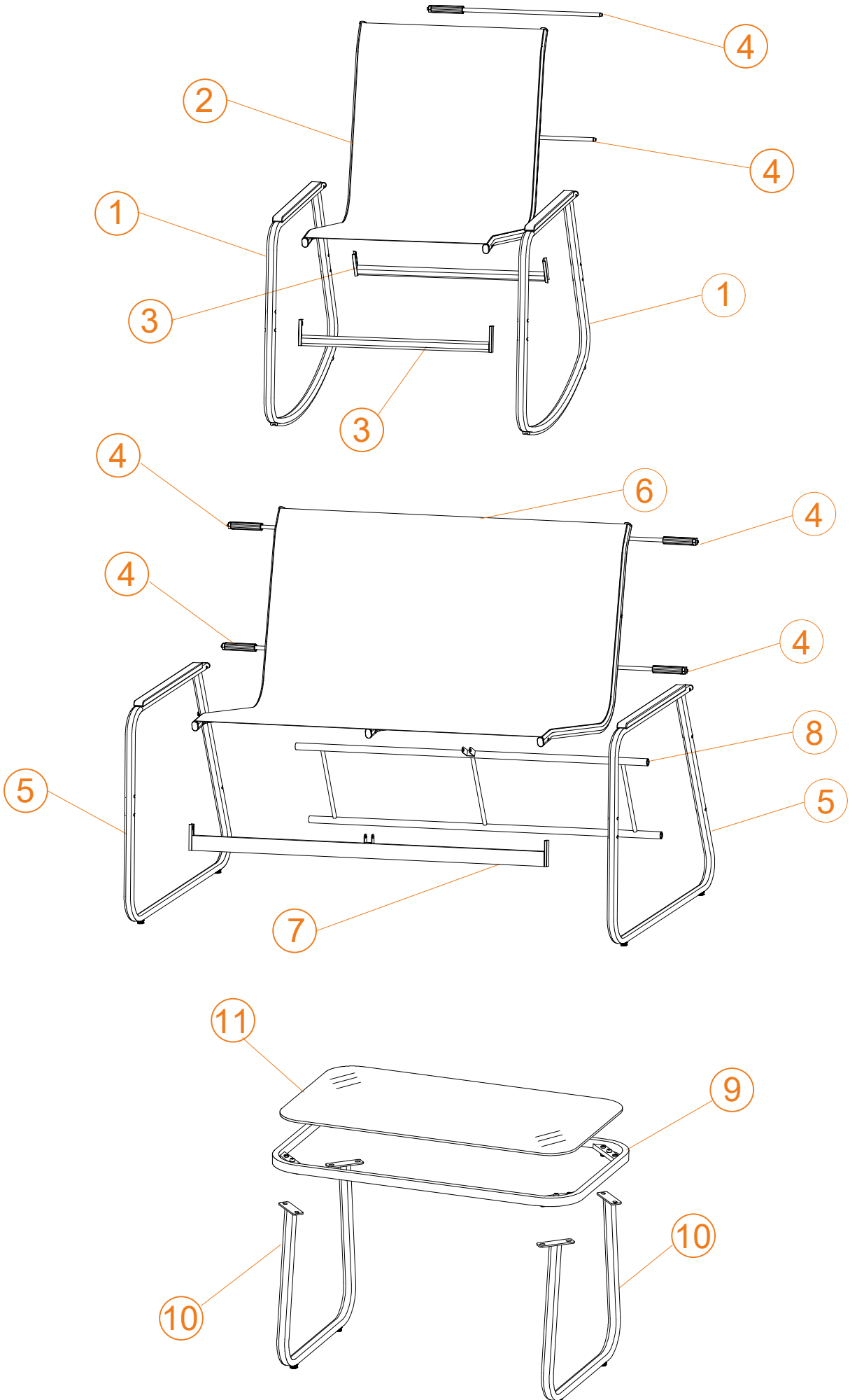
A2: If you encounter any installation issues, attach a detailed description of the problem, we will provide you for professional technical support.

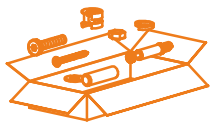
Q3: How do I apply a return?

A3: You can initiate a return within 30 days of purchase. Email us with your order number and the reason for return. We'll guide you through the process.

Note:

- Please contact us before returning the product to avoid any complications.
- Ensure the product is returned in its original packaging with all accessories included.





A x 8



M6x20mm

B x 2



M6x32mm

C x 12



M6x40mm

D x 6



M6x50mm

E x 12



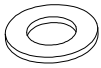
M6x65mm

F x 26



M6

G x 58

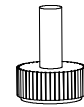


M6

H x 10



I x 4

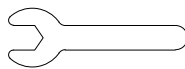


J x 1

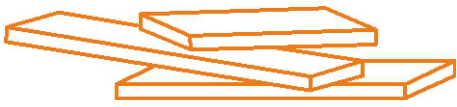


M6

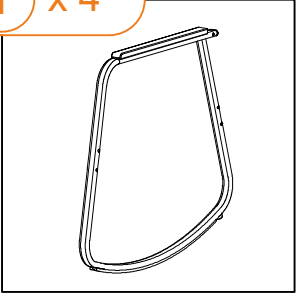
K x 1



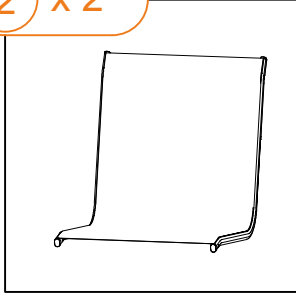
M6



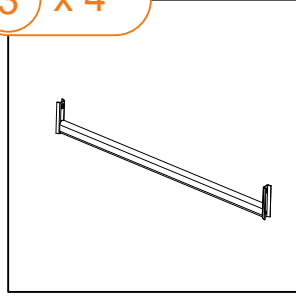
1 x 4



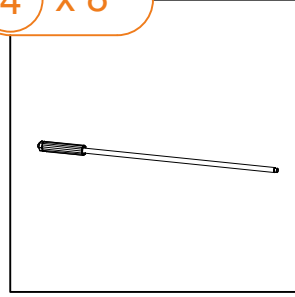
2 x 2



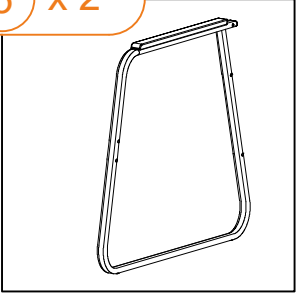
3 x 4



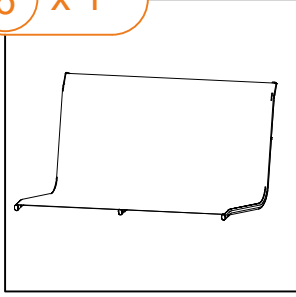
4 x 8



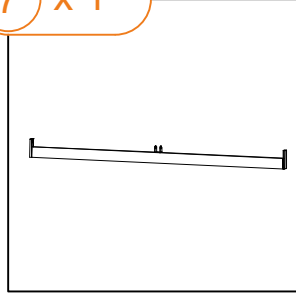
5 x 2



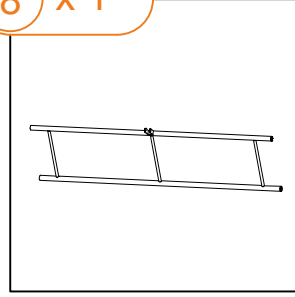
6 x 1



7 x 1



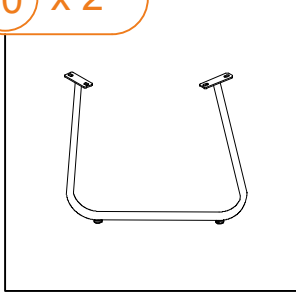
8 x 1



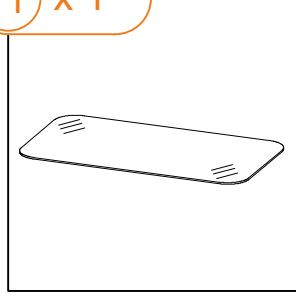
9 x 1



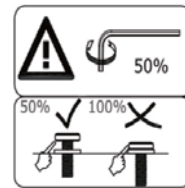
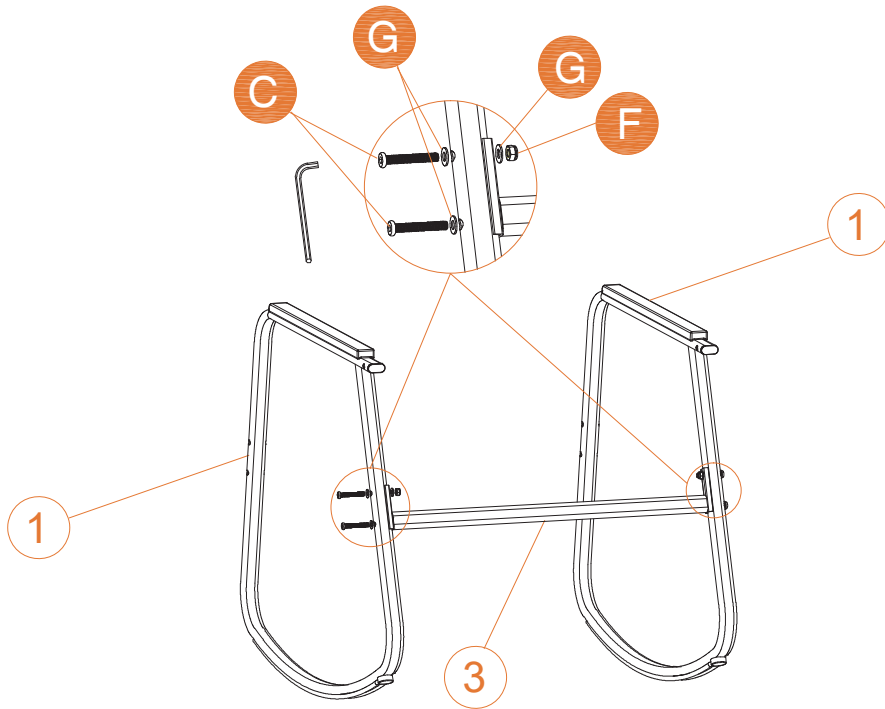
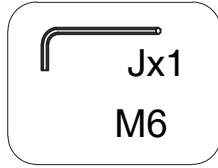
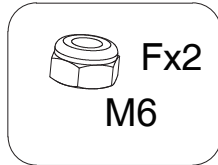
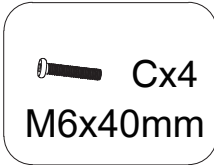
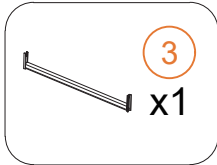
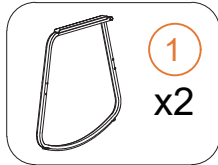
10 x 2



11 x 1

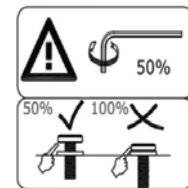
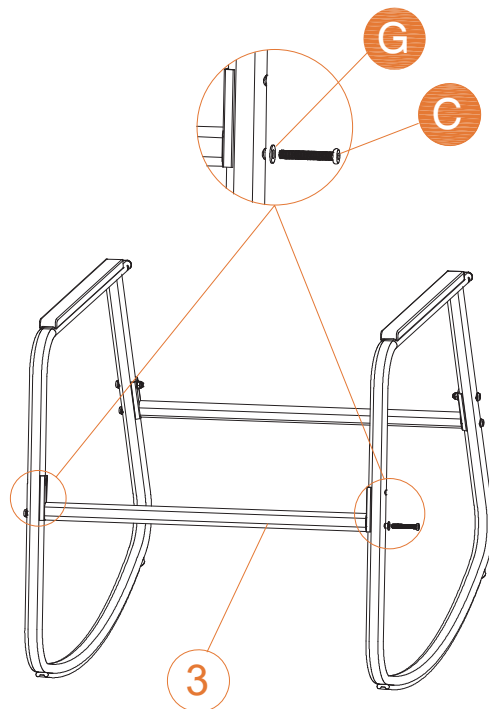
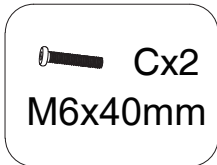
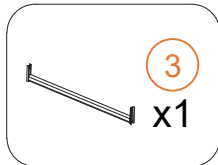


1



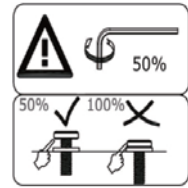
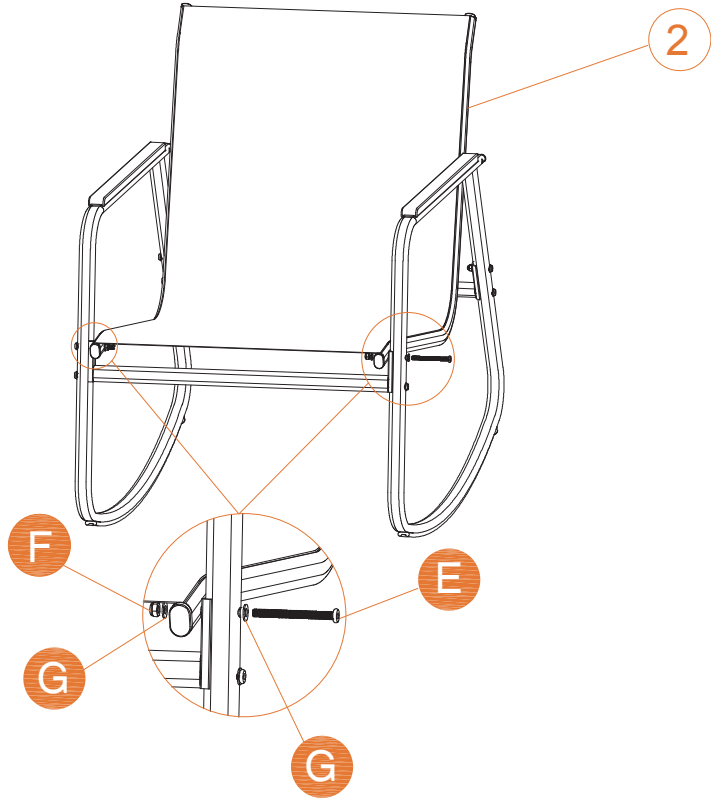
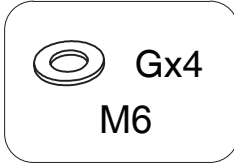
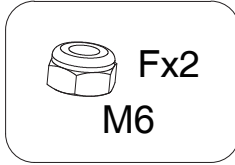
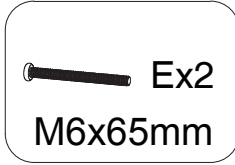
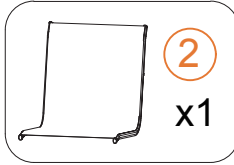
x 2

2



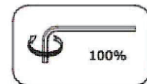
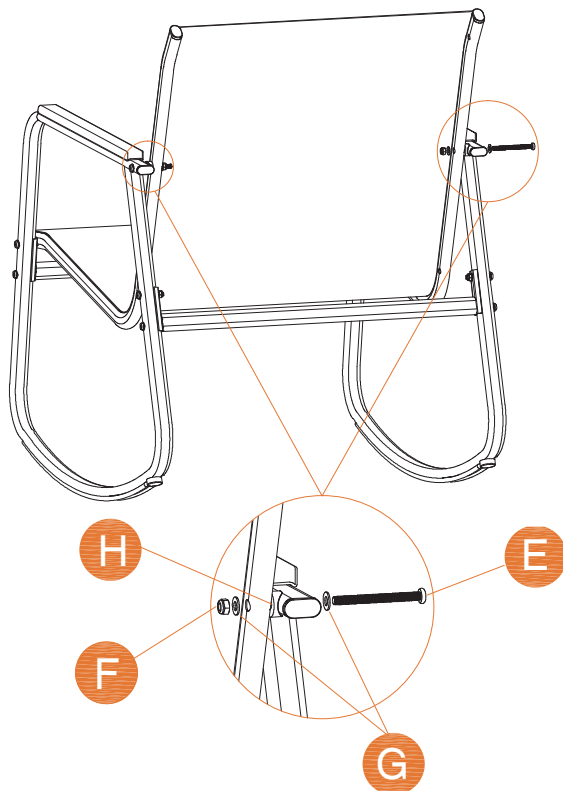
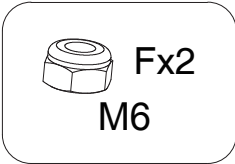
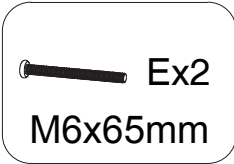
x 2

3



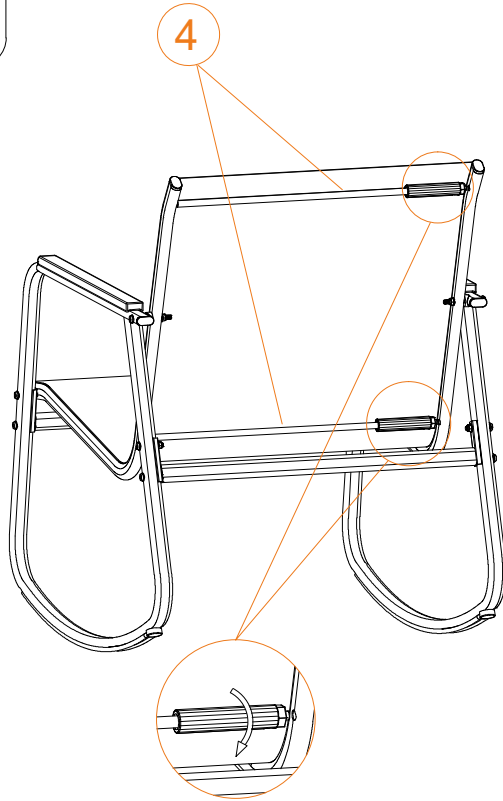
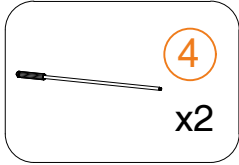
x 2

4



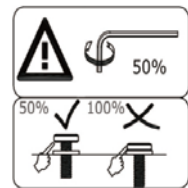
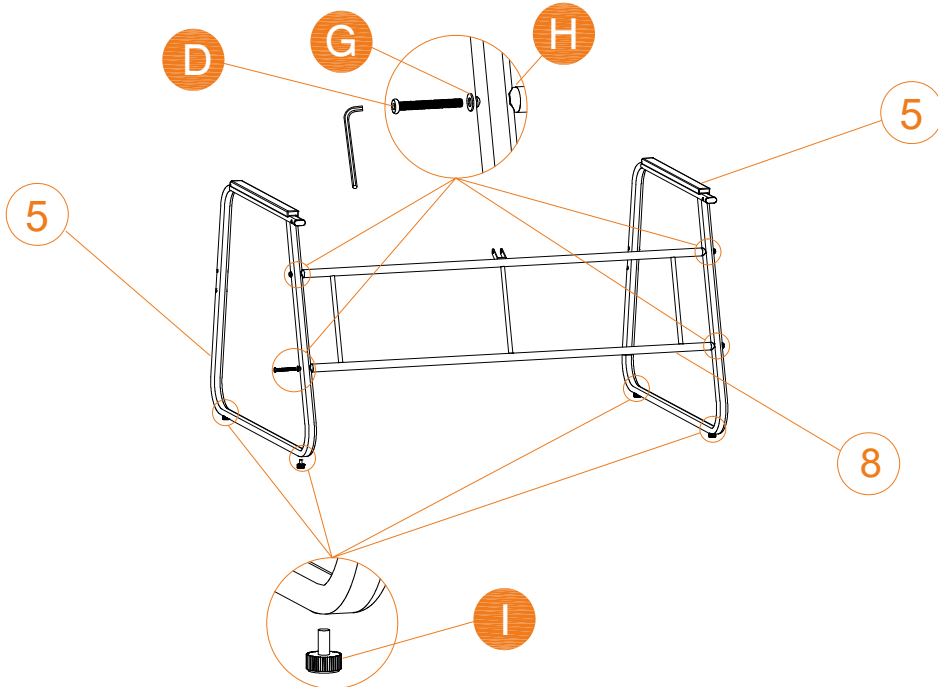
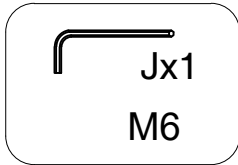
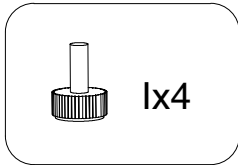
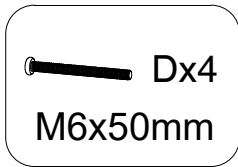
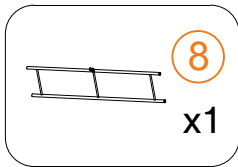
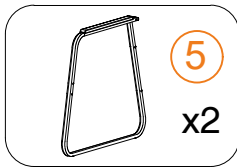
x 2

5

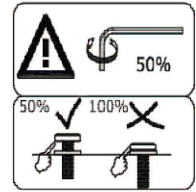
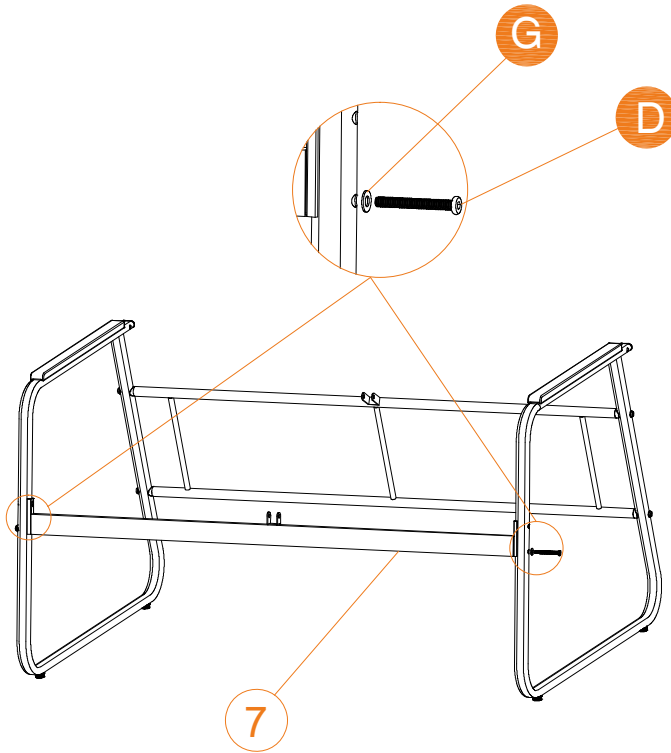
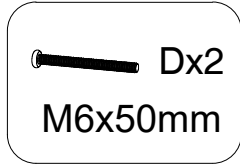
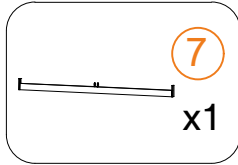


x 2

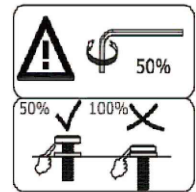
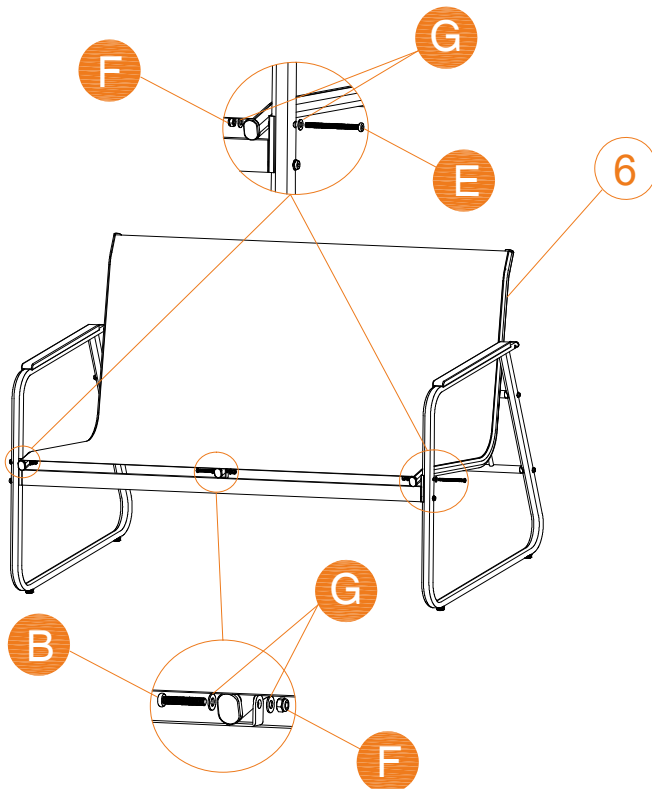
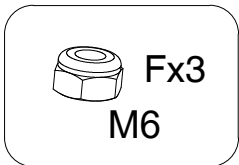
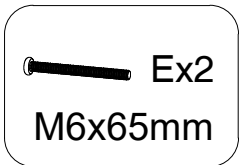
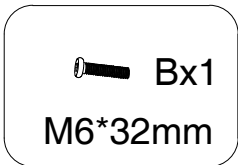
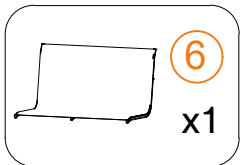
6



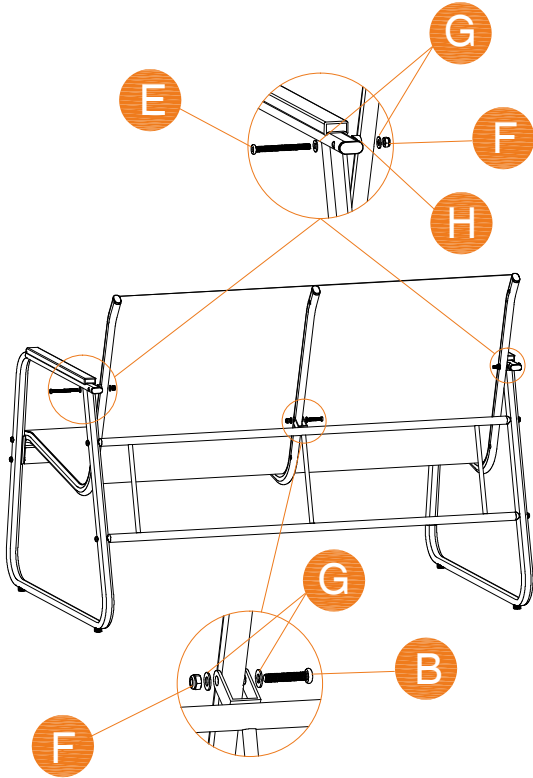
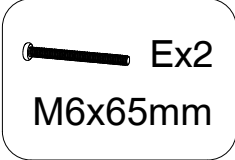
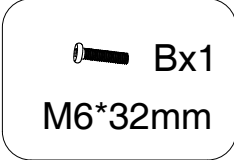
7



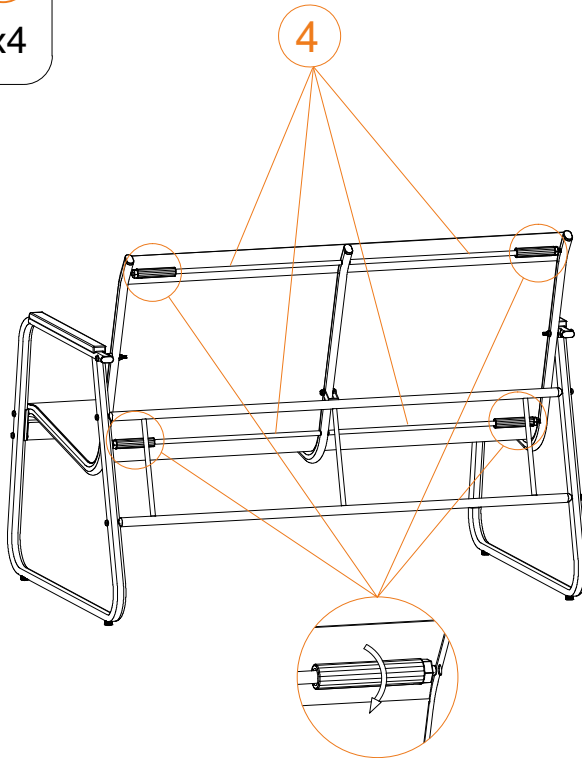
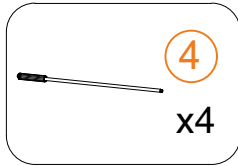
8



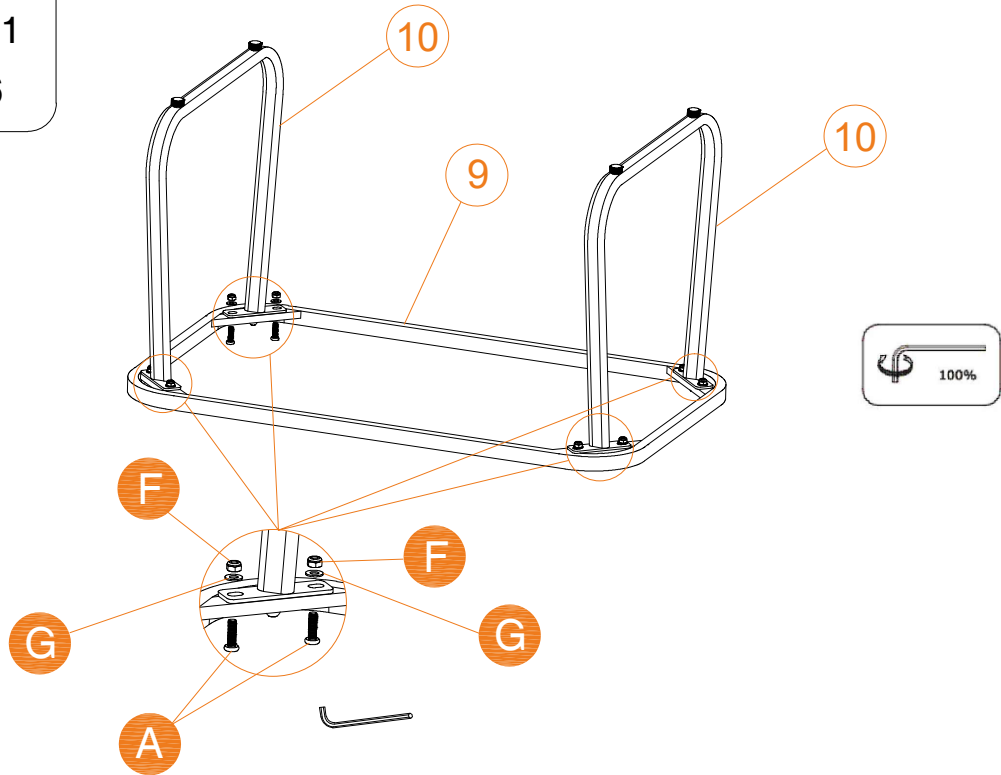
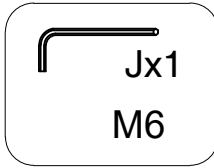
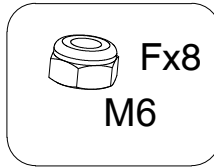
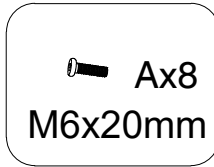
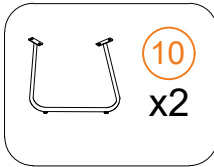
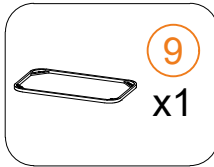
9



10



11



12

