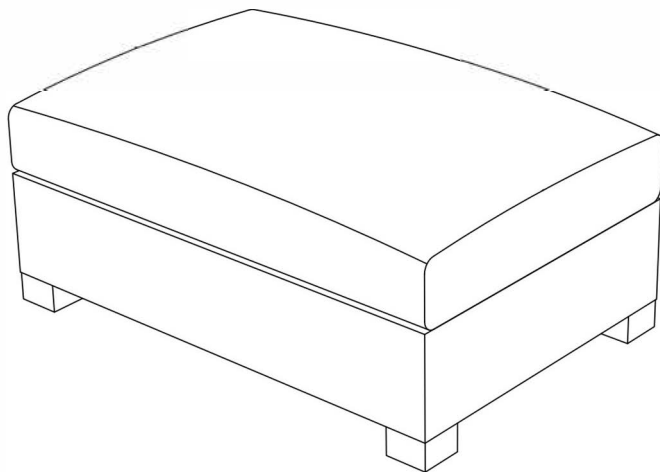
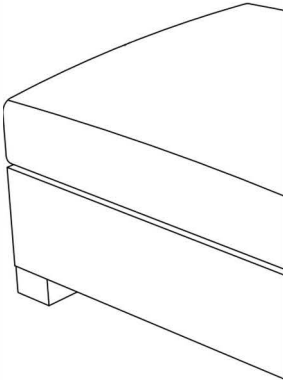


# Owner Manual



# WARRANTY

We strive to offer high quality product and we also try our best to satisfy each customer that order from us, no matter on products or services as needed. Each customer receives a record of their order, such as the order number or item receipt. For any items that are out of warranty period, you may still be able to purchase the replacement parts from our company if they are available.



# MAINTENANCE AND WARNING

Please read the manual thoroughly before you start installing.

Please keep the product away from sharp object.

Packaging and small parts may have chocking hazard, please keep them away from children and pets.

Please clean the product according to each clean code, check the product description for more information.

Please keep the product away from fire.

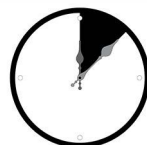
If you have any other questions, please contact us, we will be glad to help you out.

If the product is placed under direct sunlight, the pattern or color might fade away overtime.

Check the product periodically to make sure everything is secured and tightened.

Always use proper tools for installation.

Do not jump on the product.



Around 5 min

# PRODUCT DESCRIPTION

Choose the configuration that fits your space, whether you're building a sectional or styling it solo.

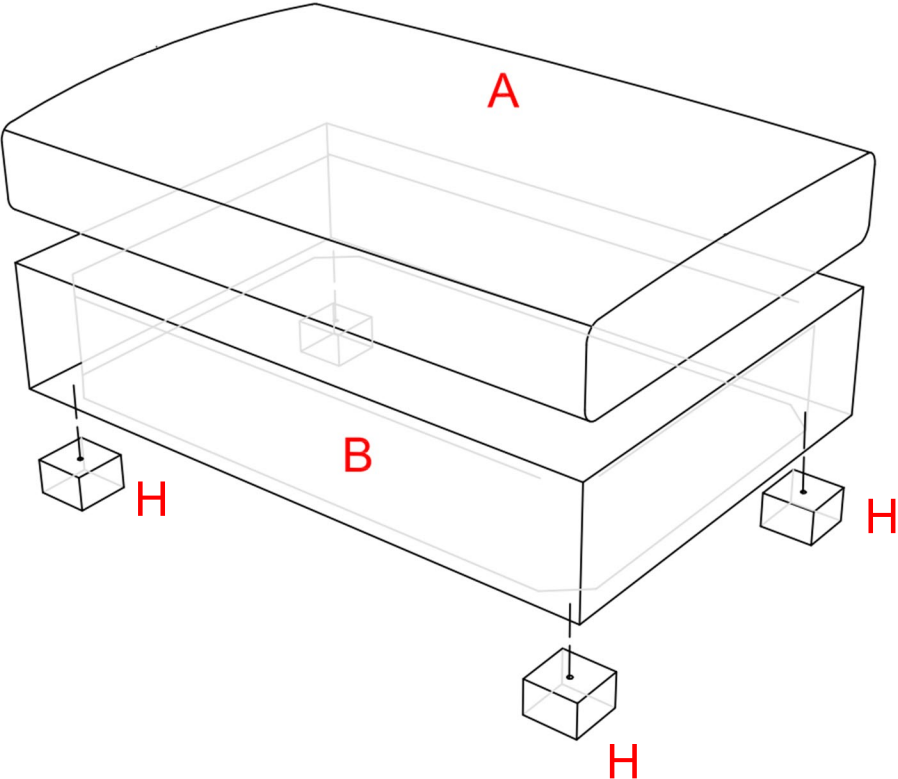
Cotton-blend flannel offers a cozy, tactile surface that feels as warm as it looks.

Filled with high-resilience foam and synthetic fiber for plush comfort that retains its shape.

Enhances bounce and support, creating a seat that feels responsive, not flat.

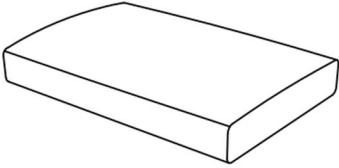
Designed for long-term use with strong structural support and modular flexibility.

# EXPLODED VIEW



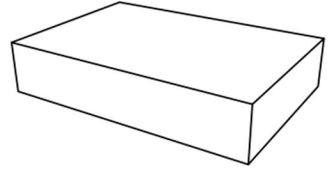
# PARTS

A\*1



Ottoman cushion

B\*1



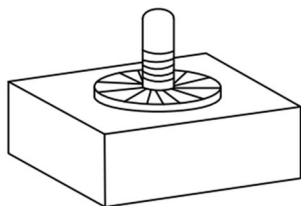
Ottoman frame

# HARDWARE

## TOOL LIST

NOTE: Designated with (★) We provide additional spare parts in the hardware package

*H\*4*



Legs

*K\*1*

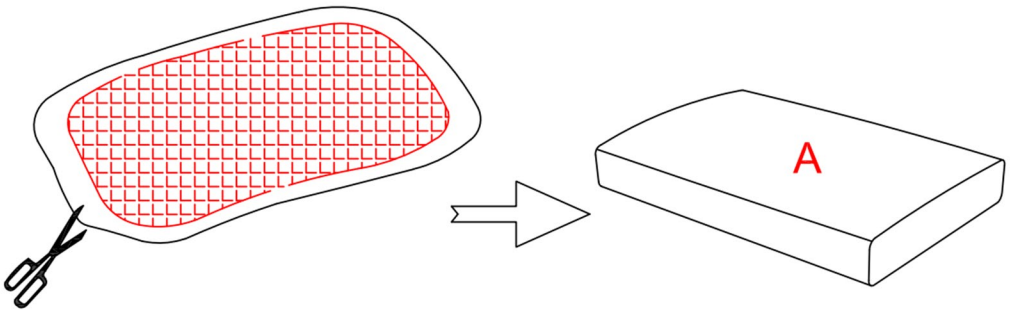


Metal connector

Please make sure all hardware&packing material fitting the list. Especially some small accessories may be missing during transportation. Please contact us if you have any question.

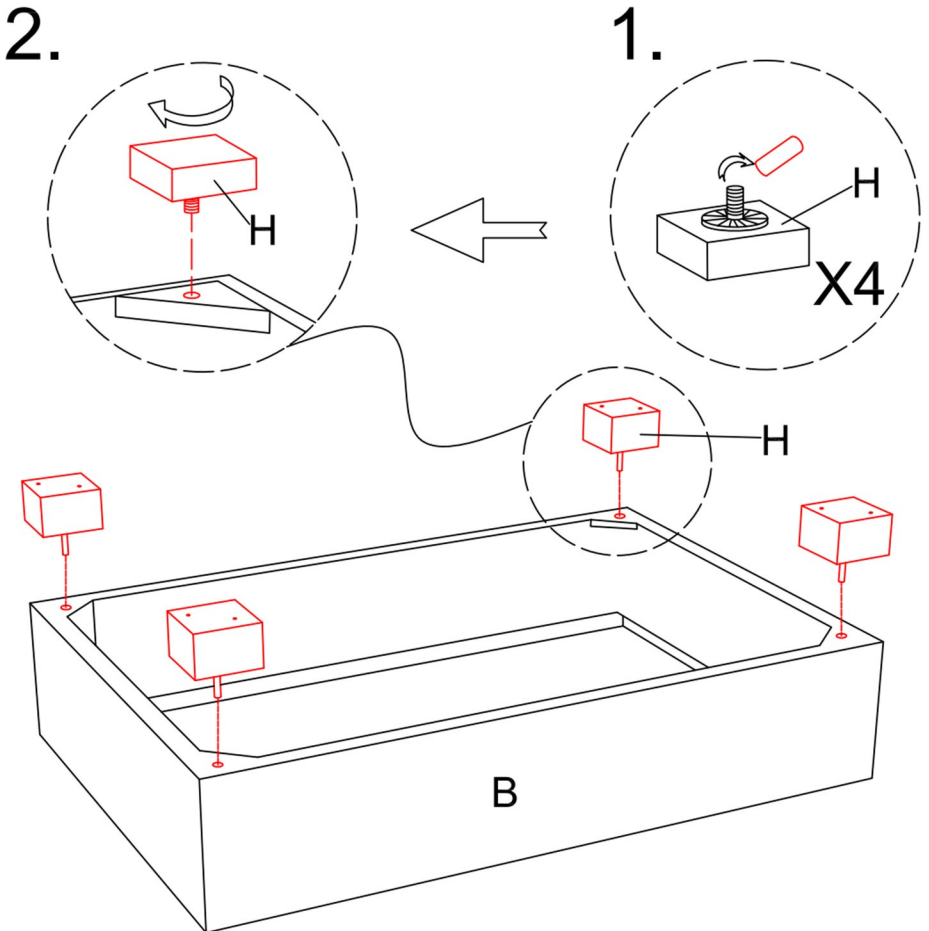
# step 1

Cut the plastic air compression bags, and take out cushions (A). Place them on the side for recover to their original shape, the whole process might take up to 48 hours, you may gently slap on them to speed up the process.



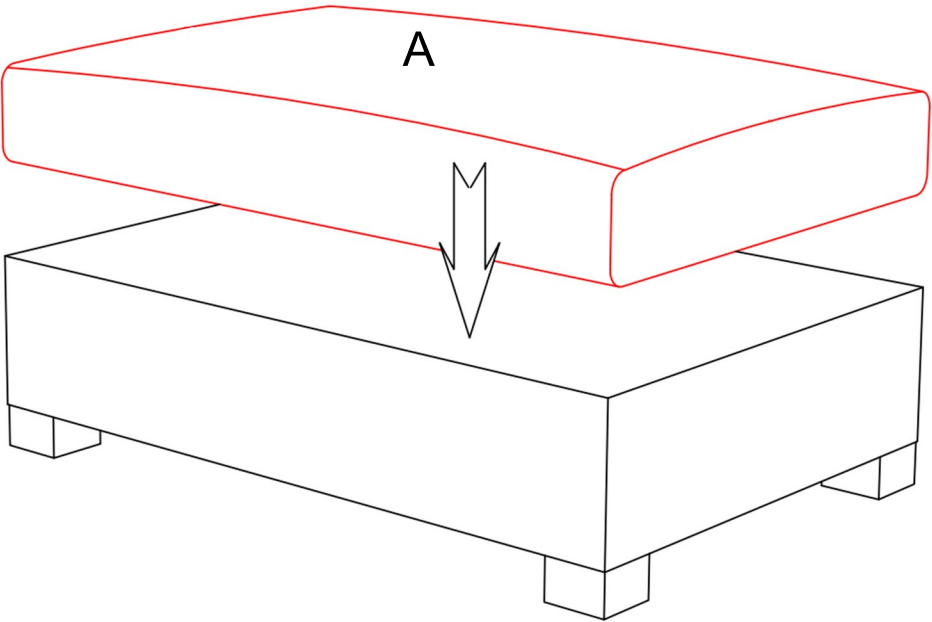
# step 2

Remove the plastic caps off the sofa leg screws as shown, then twist in all the legs (H) into each corner of the sofa frame (B), make sure they are all tightened.



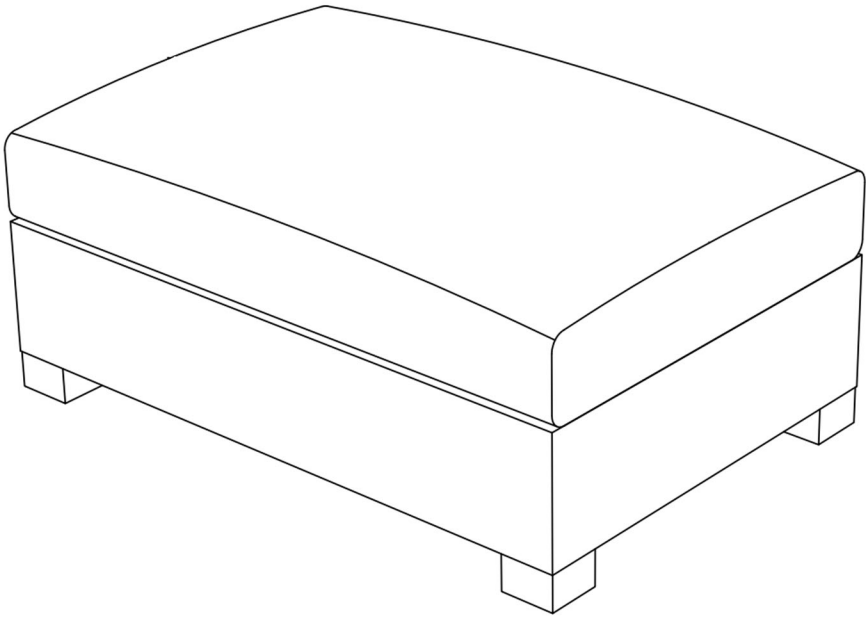
# step 3

Place the seat cushion (A) onto the sofa as shown.



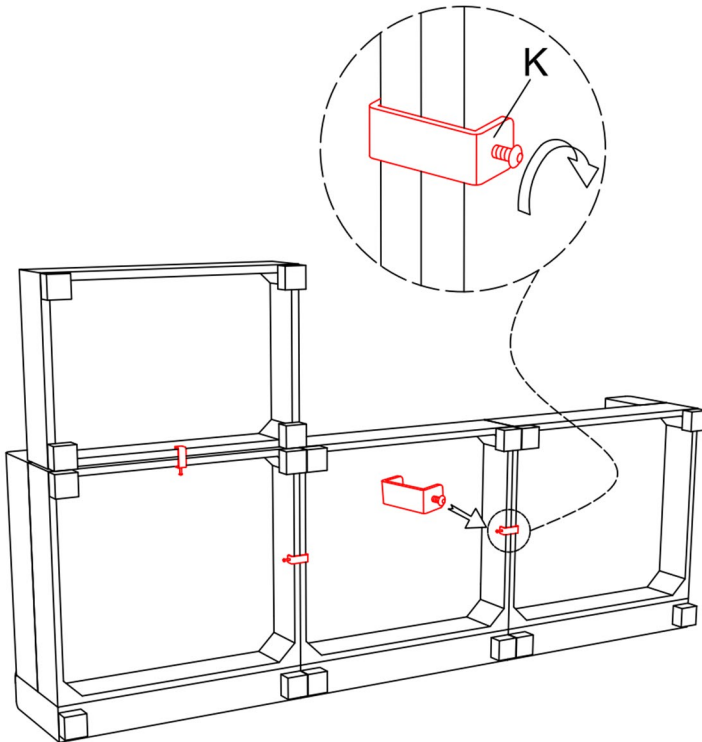
# step 4

Congradulations! The assembly has complete! Thank you again for choosing our product, please enjoy!



# step 5

There is one metal connector (K) inside each package. The metal connector is used to connect sectional sofas together, if you are only using one piece of the sectionals, the connectors will not be used during the assembly. If you want to connect sectionals together, please use the connectors before the headrest is inserted. Place the sectionals upside down on a clean surface, and bring both of the parts as close as possible, make sure both of the parts are aligned, then fix the connector at 40 cm (about 16 inches) away from the front and back edges, then tighten the connector. After both parts are connected, flip them over and insert the headrest.



# step 6

