



# Undertone® Preserve®

Undermount single-bowl large kitchen sink  
K-5290-HCF

## Features

- 36" minimum base cabinet width.
- Single bowl.
- 9" (229 mm) depth provides generous workspace.
- Innovative Preserve™ sink resists scratching and withstands everyday wear and tear.
- Includes bottom sink rack.
- Includes installation hardware.

## Material

- Premium 18-gauge stainless steel.

## Installation

- Undermount.

## Recommended Products/Accessories

- K-5474 Sink rack for Undertone® sinks
- K-6388 Sink Rack
- K-8801 Sink drain and strainer with tailpiece
- K-8799 Sink drain and strainer basket
- K-23726 Drain treatment
- K-23729 Stainless steel cleaner

## Optional Products/Accessories

- K-11352 Disposal Flange with Stopper

## Included Components

Product consists of:

- K-5474 Sink rack for Undertone® sinks

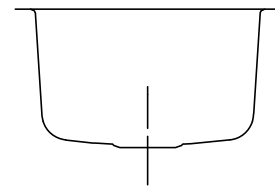
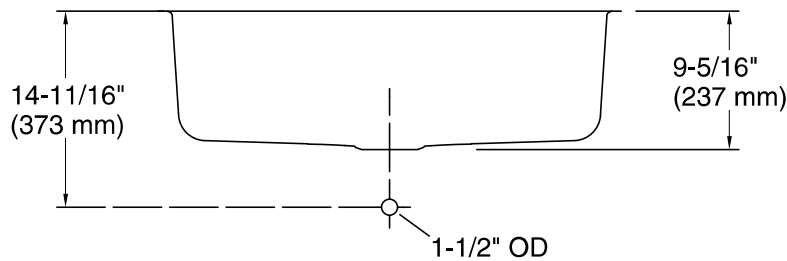
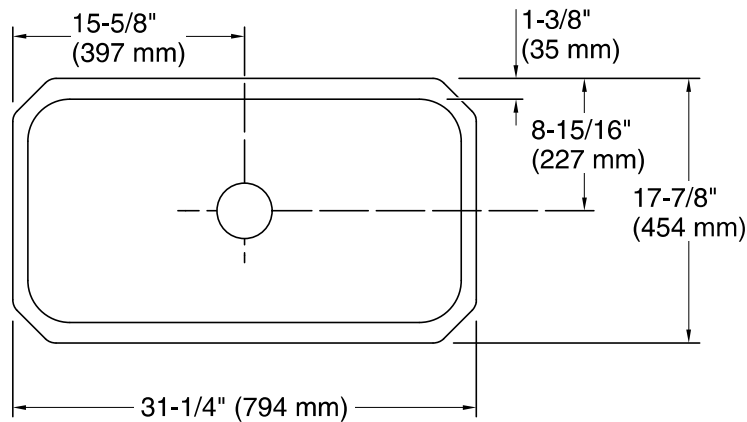


## Codes/Standards

ASME A112.19.3/CSA B45.4

## Lifetime Limited Warranty for KOHLER® Stainless Steel Sinks

See website for detailed warranty information.



### Technical Information

All product dimensions are nominal.

Bowl configuration: Single

Installation: Under-mount

Min. base cabinet width: 36" (914 mm)

Bowl area (Only):  
 Length: 29-3/16" (742 mm)  
 Width: 15-1/16" (383 mm)  
 Bowl depth: 9" (229 mm)  
 Water depth: 9" (229 mm)

Drain hole: 3-5/8" (92 mm)

Template: 1219562-7, required, included

### Notes

Install this product according to the installation instructions.