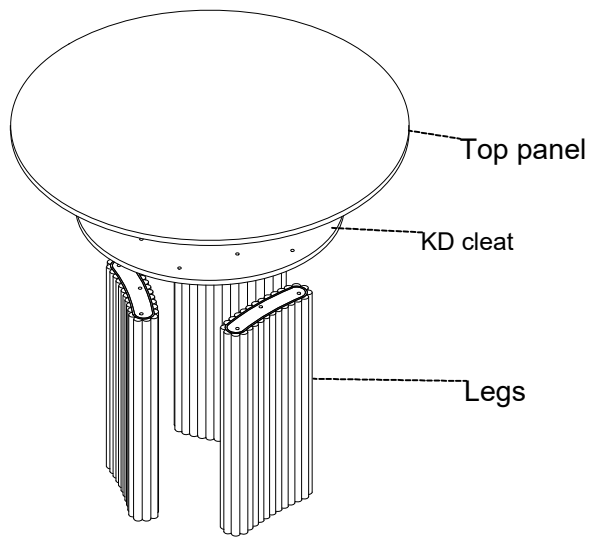
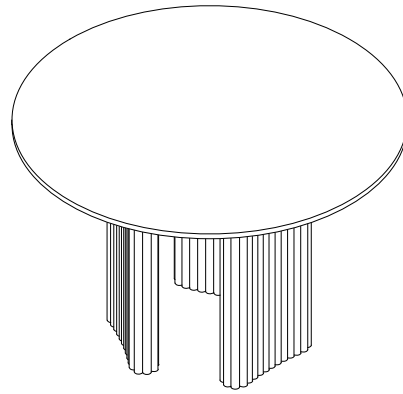
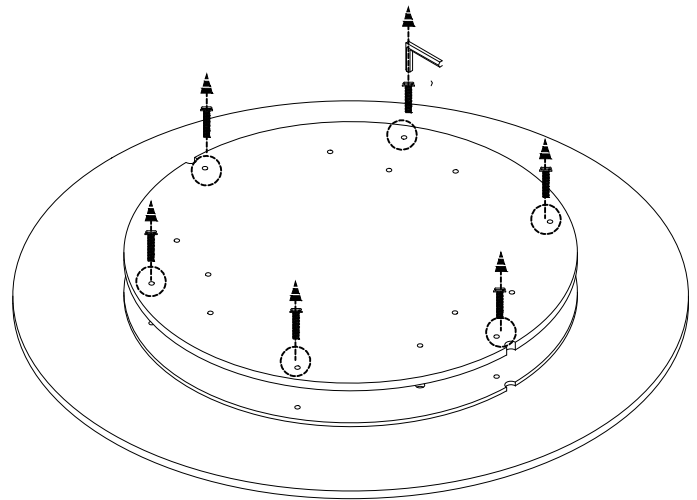


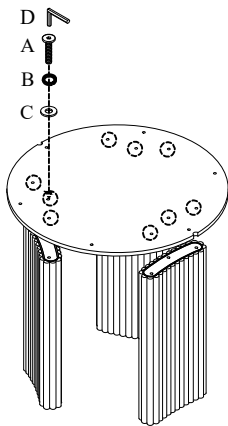
# ASSEMBLY INSTRUCTIONS



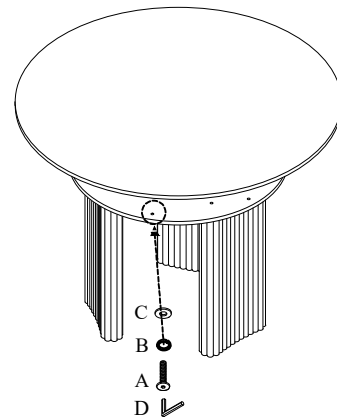
Step 1:






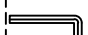
Step 2:

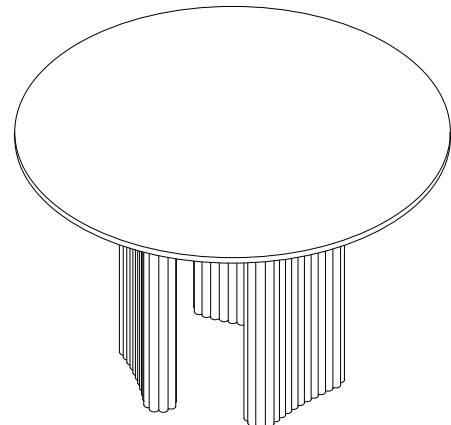


Step 3:



## HARDWARE LIST

A		Bolt Ø5/16"*1 1/4"	9pcs
B		Spring Washer Ø5/16"	9pcs
C		Flat Washer Ø5/16"	9pcs
D		Allen Wrench	1pc



OK