

# ASSEMBLY & INSTALLATION INSTRUCTIONS

*Please read carefully and save these instructions, as you may need them at a later date.*

**IMPORTANT SAFETY INSTRUCTIONS:** This product has a polarized plug (one blade is wider than the other) as a feature to reduce the risk of electric shock. This plug will fit in a polarized outlet only one way. If the plug does not fit fully in the outlet, reverse the plug. If it still does not fit, contact a qualified electrician. Never use with an extension cord unless plug can be fully inserted. Do not alter the plug.

---

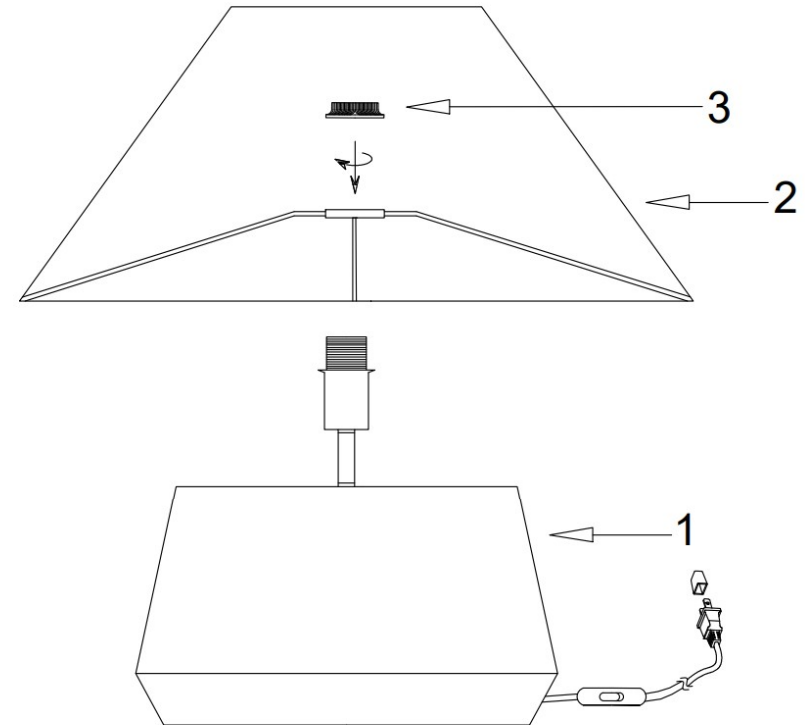
## GENERAL

Remove the lamp and from the box and make sure that no parts are missing by referencing the illustrations on the installation instructions.

---

## ASSEMBLY AND INSTALLATION

1. Put SHADE (2) onto SOCKET (1) of the Lamp and tighten with SOCKET RING ( 3 ).
2. Screw a light bulb into the lamp socket and make sure it does not exceed the maximum wattage specified on the lamp wattage rating label, **MAXIMUM 40 WATT**



1. LAMP BASE&NECK
2. SHADE
3. SOCKET RING