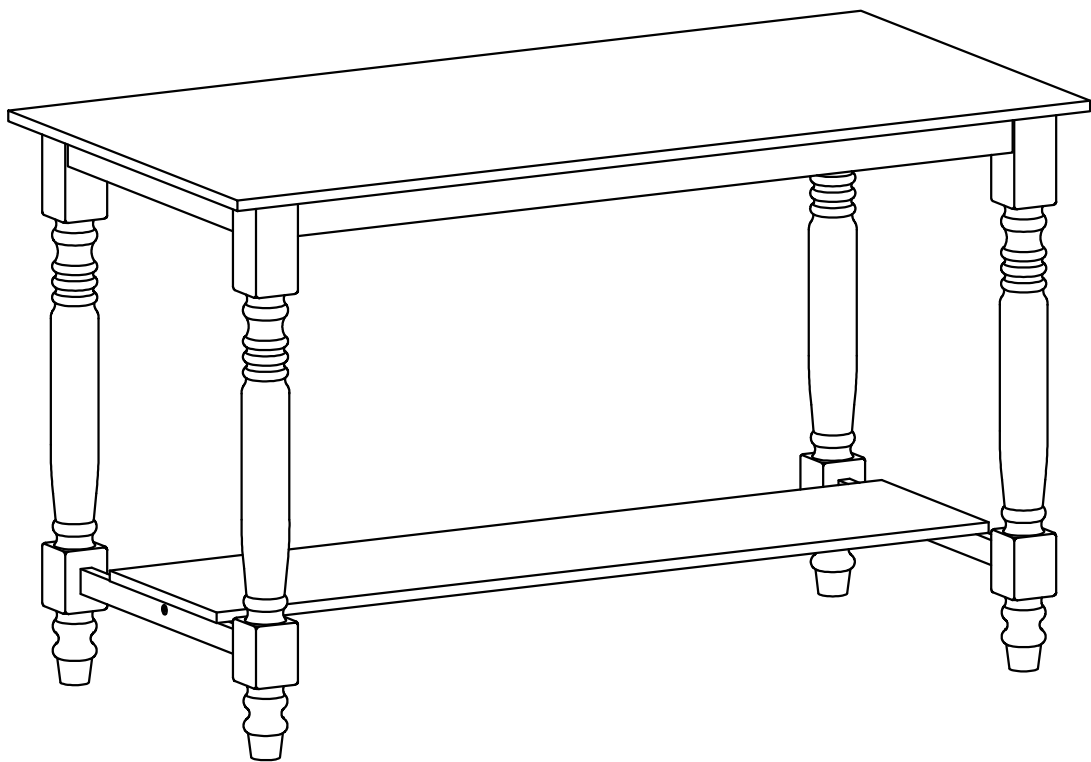


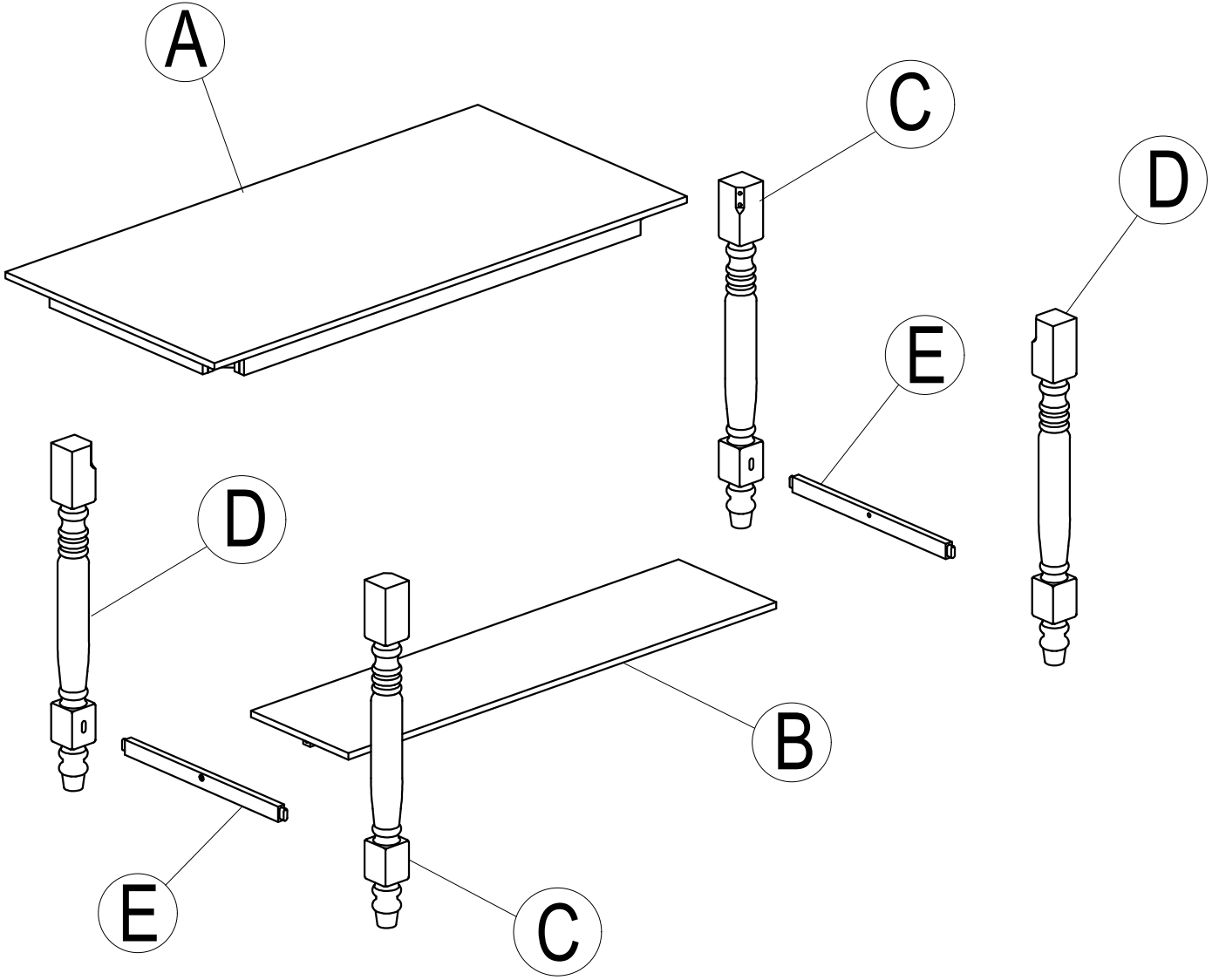
# ASSEMBLY INSTRUCTIONS

ITEM NO.WF293278



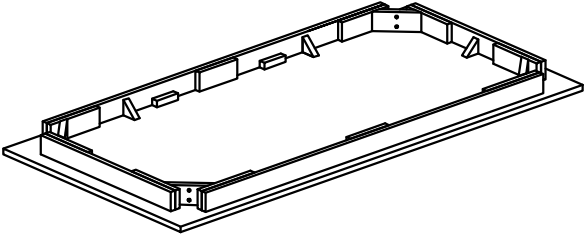
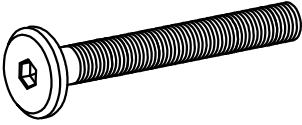
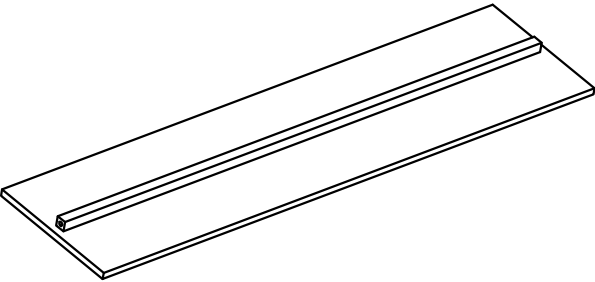
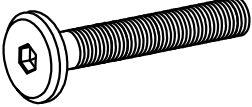
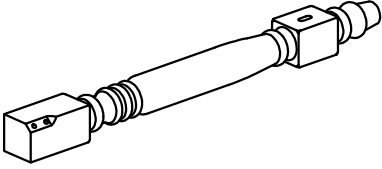

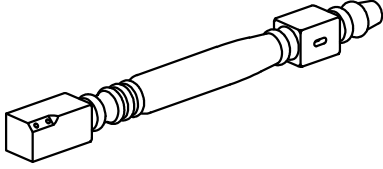
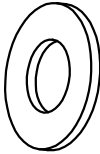
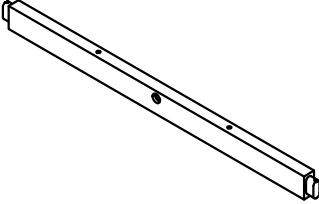

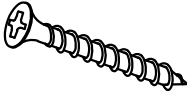
## IMPORTANT NOTE :

- ① PLACE ALL PARTS ON A CLEAN AND SMOOTH SURFACE SUCH AS A RUG OR CARPET TO AVOID THE PARTS FROM BEING SCRATCHED.
- ② BEFORE YOU BEGIN,KINDLY FOLLOW THE ASSEMBLY INSTRUCTIONS STEP BY STEP.
- ③ DO NOT TIGHTEN ALL SCREWS AND BOLTS UNTIL THE TABLE IS FULLY SET-UP.

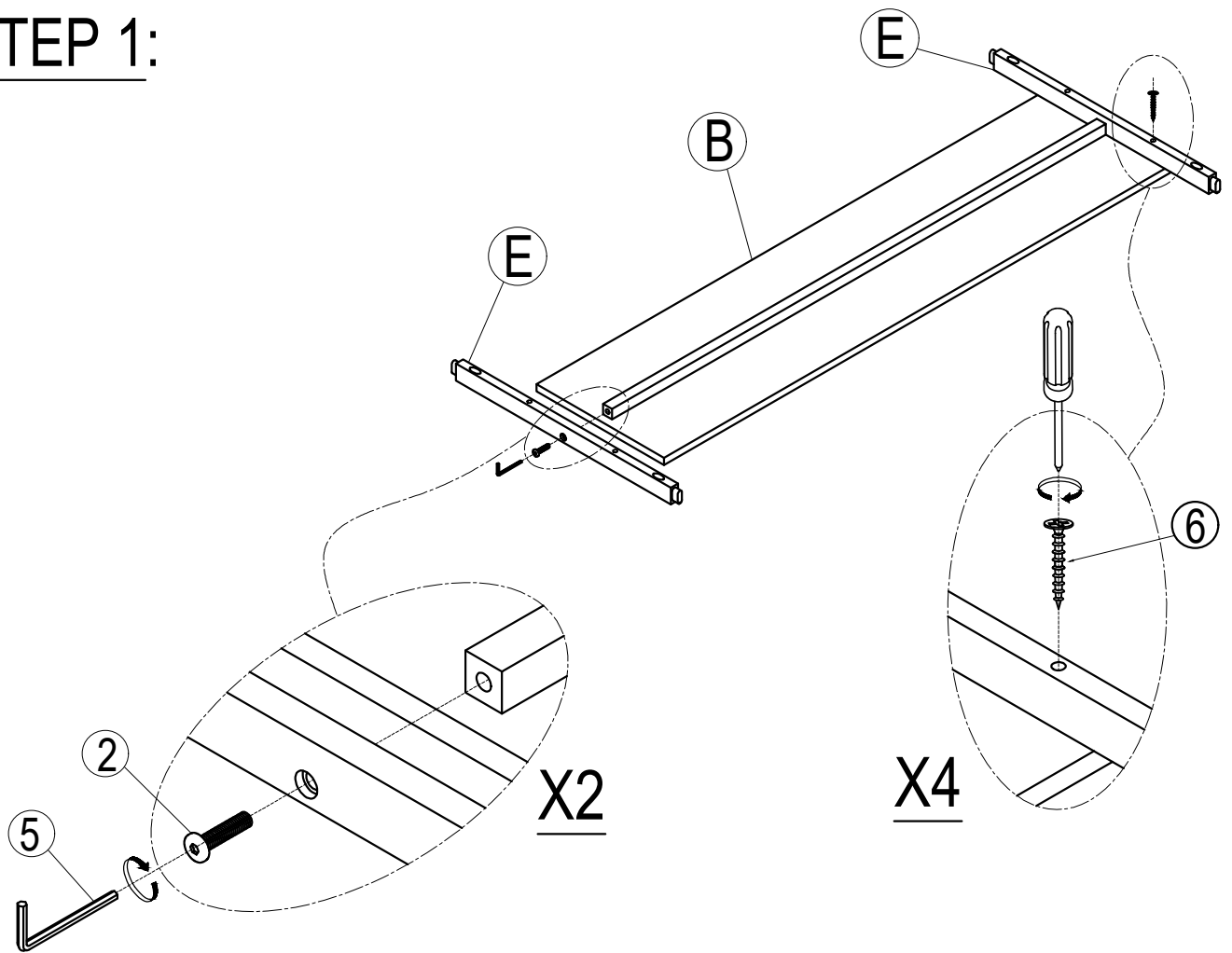


# Part List

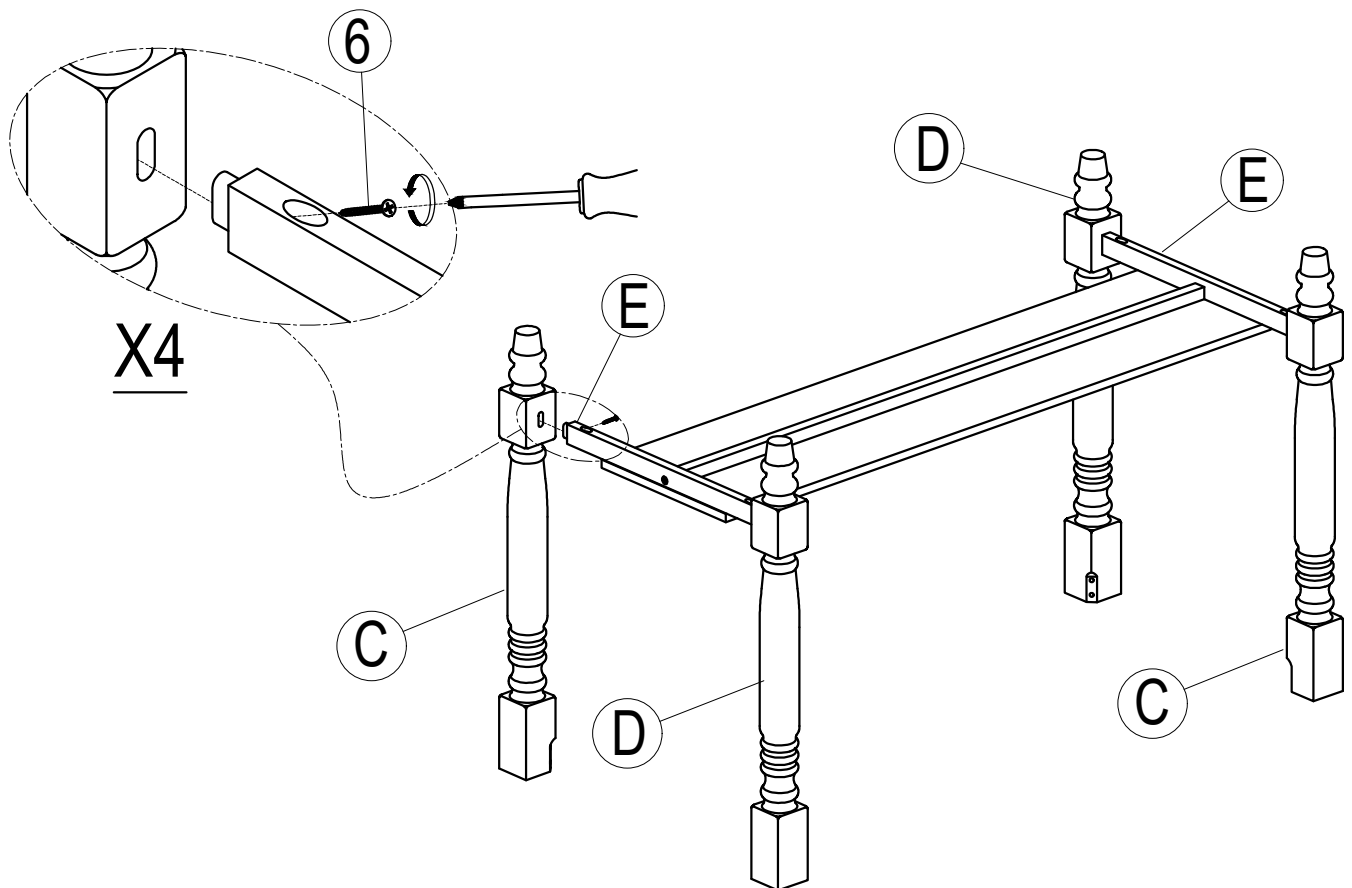
# Hardware List

<p><b>(A)</b></p>  <p>TOP TABLE (1 pc)</p>	<p><b>1</b></p>  <p>Ø 5/16" x 70 mm BOLT (8 pcs)</p>
<p><b>(B)</b></p>  <p>TABLE SHELVES (1 pc)</p>	<p><b>2</b></p>  <p>Ø 1/4" x 30 mm BOLT (2 pcs)</p>
<p><b>(C)</b></p>  <p>LEG LEFT (2 pcs)</p>	<p><b>3</b></p>  <p>Ø5/16" x 13 mm FLAT WASHER (8 pcs)</p>
<p><b>(D)</b></p>  <p>LEG RIGHT (2 pcs)</p>	<p><b>4</b></p>  <p>Ø5/16" x 19 mm LOCK WASHER (8 pcs)</p>
<p><b>(E)</b></p>  <p>STRETCHER (2 pcs)</p>	<p><b>5</b></p>  <p>4 mm ALLEN KEY (1 pc)</p>
	<p><b>6</b></p>  <p>Ø4 x 38 mm WOOD SCREWS (8 pcs)</p>

# STEP 1:



# STEP 2:



# STEP 3:

