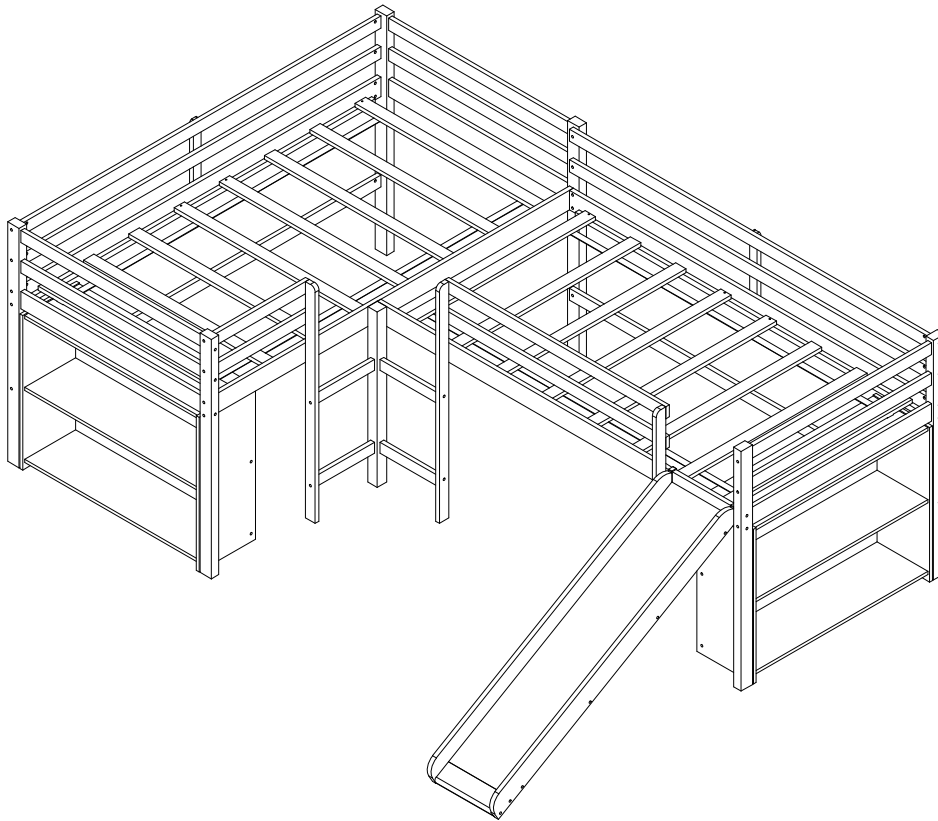


ASSEMBLY INSTRUCTIONS

BUNK BED 2 - WITH SLIDER + 2 SHELF



This set is included 2 boxes if don't receive full 2 boxes please contact our customer service team.

WF283288/WF283289



SAFETY WARNINGS



1. This bed is designed for use only mattress (es) meeting the following specifications on the Loft Bed:

| Up bed (bunk bed and tribed included) Bed type | Length | Width | Thickness |
|---------------------------------------------------|-----------|-------|-----------|
| Twin Standard | 74" – 75" | 38 ½" | 6" max |

2. Replacement parts, including additional guardrails, maybe obtained from any of our (GIGACLOUD TECHNOLOGY (USA). INC) dealers.

3. Follow the information on the warnings appearing on the upper bunk bed end structure and on the carton. Do not remove warning label from bed.

4. Always use the recommended size mattresses or mattress supports, or both, to help prevent the likelihood of entrapment or falls.

5. Surface of mattress must be at least 5" (127mm) below the upper edge of guardrails.

6. Do not allow children under 6 years of age to use the upper bunk.

7. Periodically check and ensure that the guardrail, ladder, and other components are in their proper position, free from damage, and that all connectors are tight.

8. Do not allow horseplay on or under the bed and prohibit jumping on the bed.

9. Always use the ladder for entering and leaving the upper bunk.

10. Do not use substitute part. Contact the manufacture or dealer for replacement part.

11. Use of a night light may provide added safety precaution for a child using the upper bunk.

12. Always use guardrails on both long sides of the upper bunk. If the bunk bed will be placed next to the wall, the guardrail that runs the full length of the bed should be placed against the wall to prevent entrapment between the bed and wall.

13. The use of water or sleep flotation mattresses is prohibited.

14. **STRANGULATION HAZARD** – Never attach or hang items to any part of the bunk bed that are not designed for use with the bed; for example, but not limited to, hook, belts and jump ropes.

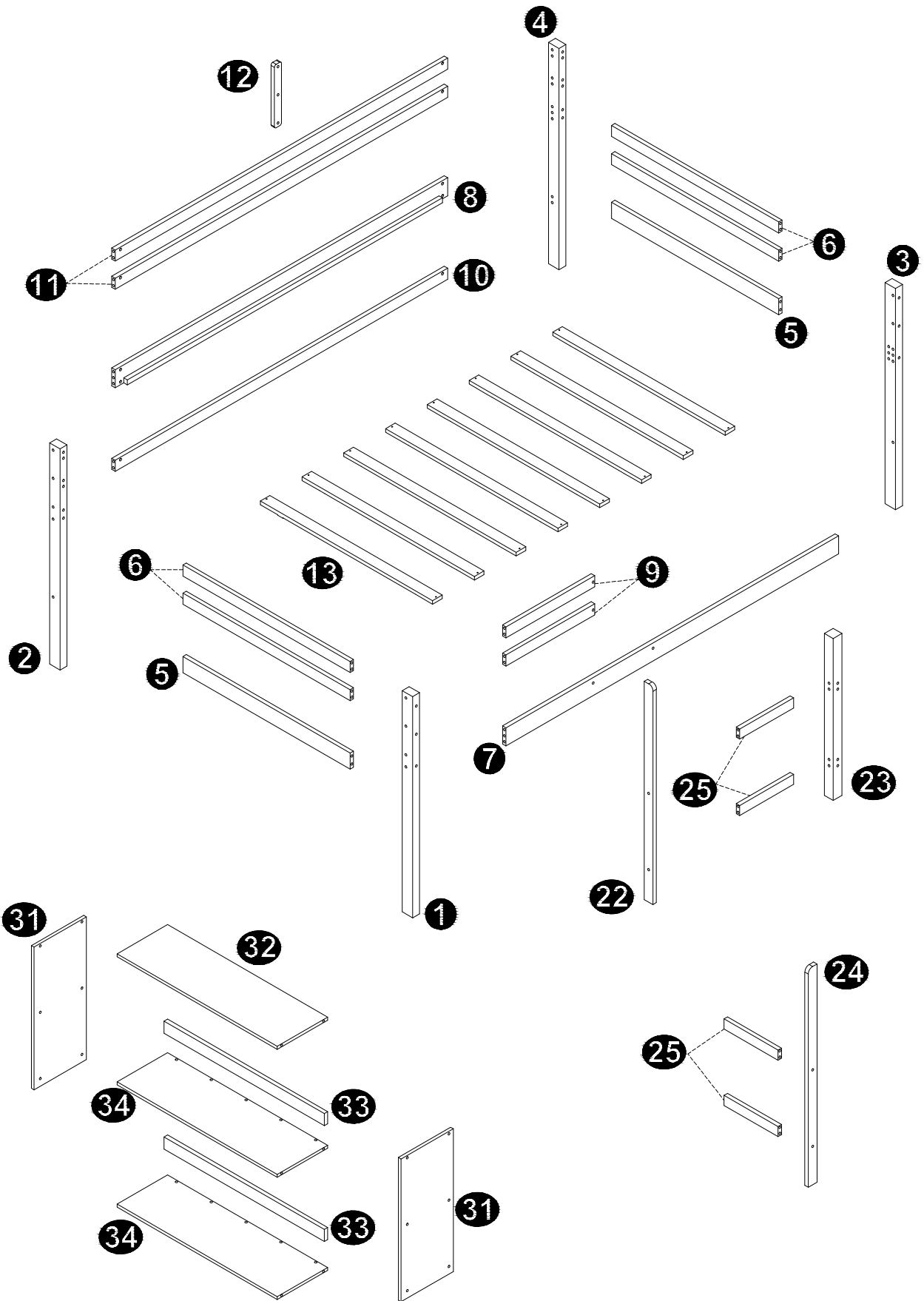
15. Keep these instruction for future reference.

16. Prohibit more than one person on upper bunk.

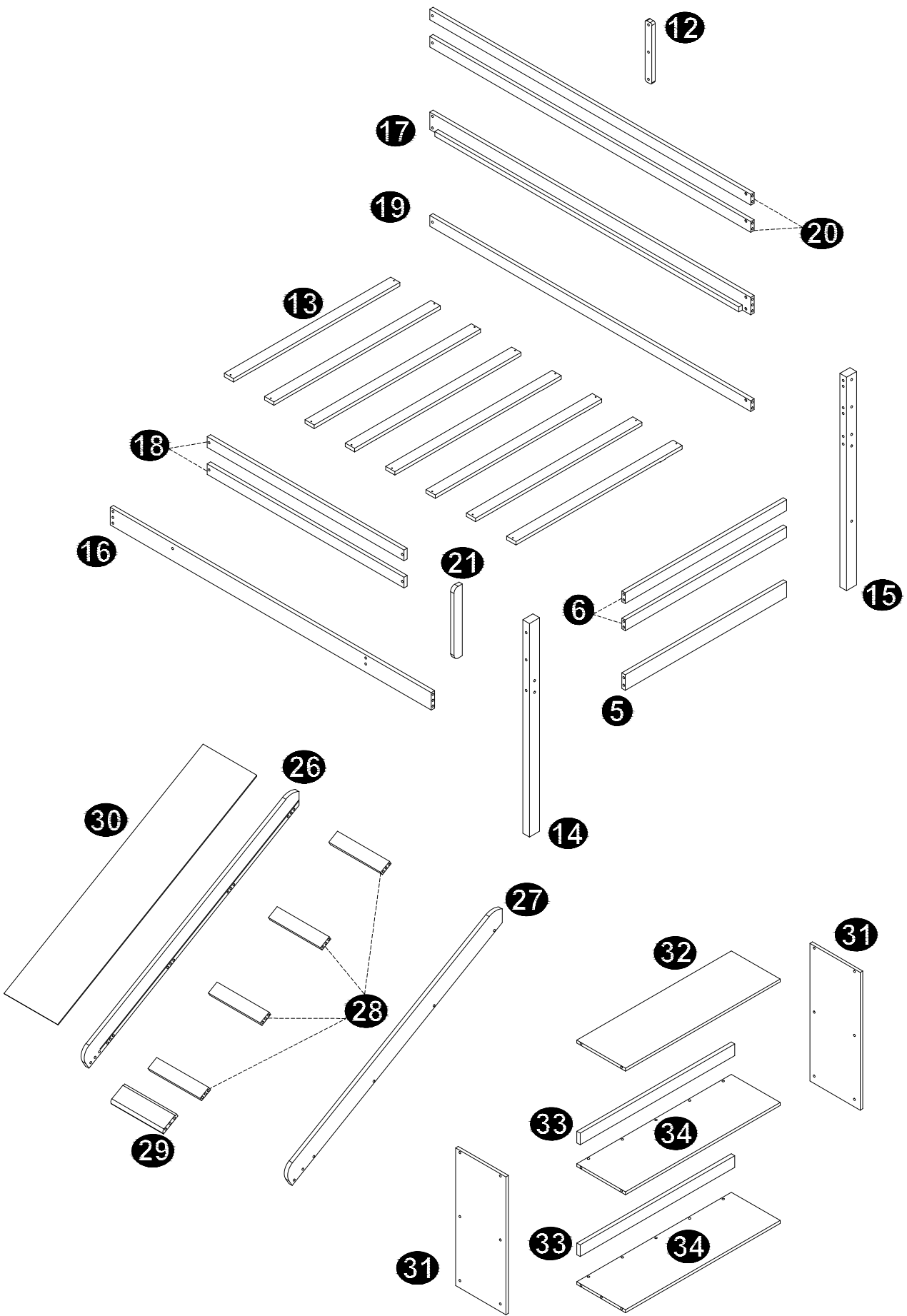
17. We recommend assembling your bunk bed on the shipping carton to protect your floor or carpet.

18. Be certain all staples are out of the box before beginning assembly on the shipping carton

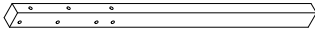
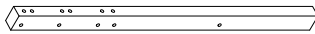
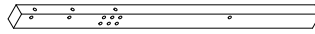
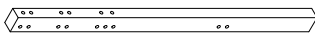
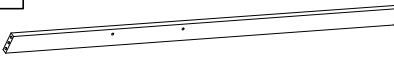

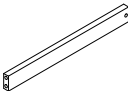



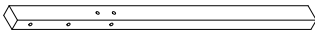
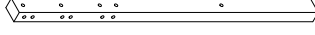






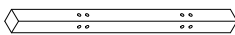

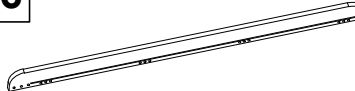



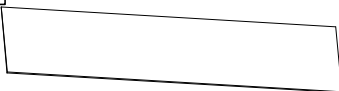
Detail View




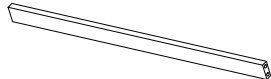

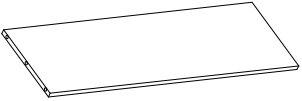

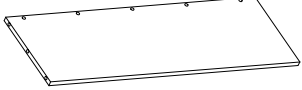
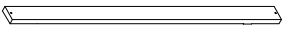

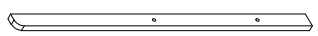
Detail View



Part List: WF283288





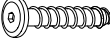
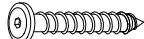
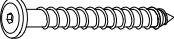
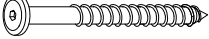





| | | |
|-------------------------------------------------------------------------------------------------------------------------------------------------|--------------------------------------------------------------------------------------------------------------------------------------------------|---------------------------------------------------------------------------------------------------------------------------------------------|
| <p>1</p>  <p>Front left leg - 1pc</p> | <p>2</p>  <p>Back left leg - 1pc</p> | <p>3</p>  <p>Front right leg - 1pc</p> |
| <p>4</p>  <p>Back right leg - 1pc</p> | <p>7</p>  <p>Front side rail - 1pc</p> | <p>8</p>  <p>Back side rail - 1pc</p> |
| <p>9</p>  <p>Front horizontal - 2pcs</p> | <p>10</p>  <p>Back horizontal (lower) - 1pc</p> | <p>11</p>  <p>Back horizontal (upper) - 2pcs</p> |
| <p>12</p>  <p>Back vertical - 2pcs</p> | <p>14</p>  <p>L bed-Front left leg - 1pc</p> | <p>15</p>  <p>L bed-Back left leg - 1pc</p> |
| <p>16</p>  <p>L bed-Front side rail - 1pc</p> | <p>17</p>  <p>L bed-Back side rail - 1pc</p> | <p>18</p>  <p>L bed-Front horizontal - 2pcs</p> |
| <p>19</p>  <p>L bed-Back horizontal (lower) - 1pc</p> | <p>20</p>  <p>L bed-Back horizontal (upper) - 2pcs</p> | <p>21</p>  <p>L bed-Front vertical - 1pc</p> |
| <p>23</p>  <p>Stairs vertical middle - 1pc</p> | <p>25</p>  <p>Stairs bar - 4pcs</p> | <p>26</p>  <p>Left slide vertical - 1pc</p> |
| <p>27</p>  <p>Right slide vertical - 1pc</p> | <p>28</p>  <p>Slide support (upper) - 4pcs</p> | <p>29</p>  <p>Slide support (lower) - 1pc</p> |
| <p>30</p>  <p>Slide panel - 1pc</p> | | |

Part List: WF283289

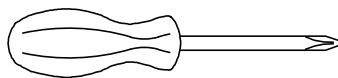
| | | |
|--------------------------------------------------------------------------------------------------------------------------------|--------------------------------------------------------------------------------------------------------------------------------|---------------------------------------------------------------------------------------------------------------------------------|
| 5  Horizontal bar (lower) - 3pcs | 6  Horizontal bar (upper) - 6pcs | 31  Side skirting shelves- 4pcs |
| 32  Bookcase top - 2pcs | 33  Bookcase support bar - 4pcs | 34  Bookcase shelf - 4pcs |
| 13  Slat - 16pcs | 22  Stairs vertical left - 1pc | 24  Stairs vertical right - 1pc |

Part List: WF283289

Hardware List



| | | |
|-------------------------------------------------------------------------------------------------------------------------|-------------------------------------------------------------------------------------------------------------|---------------------------------------------------------------------------------------------------------------|
| A  Ø10*30mm | B  Ø1/4"*40mm | C  Ø1/4"*80mm |
| Wood dowel (71pcs) | Hex-Head bolt (24pcs) | Hex-Head bolt (23pcs) |
| D  Ø1/4" | E  Ø6*30mm | F  Ø6*50mm |
| Horizontal-Hole bolt (23pcs) | Hex-Head screw (6pcs) | Hex-Head screw (34pcs) |
| G  Ø6*80mm | H  Ø6*100mm | I  |
| Hex-Head screw (4pcs) | Hex-Head screw (18pcs) | Hook (2pcs) |
| J  #4*15mm | K  #4*30mm | L  K4mm |
| Screw (6pcs) | Screw (44pcs) | Allen key (1pc) |
| M  Felt stickers (2pcs) | | |

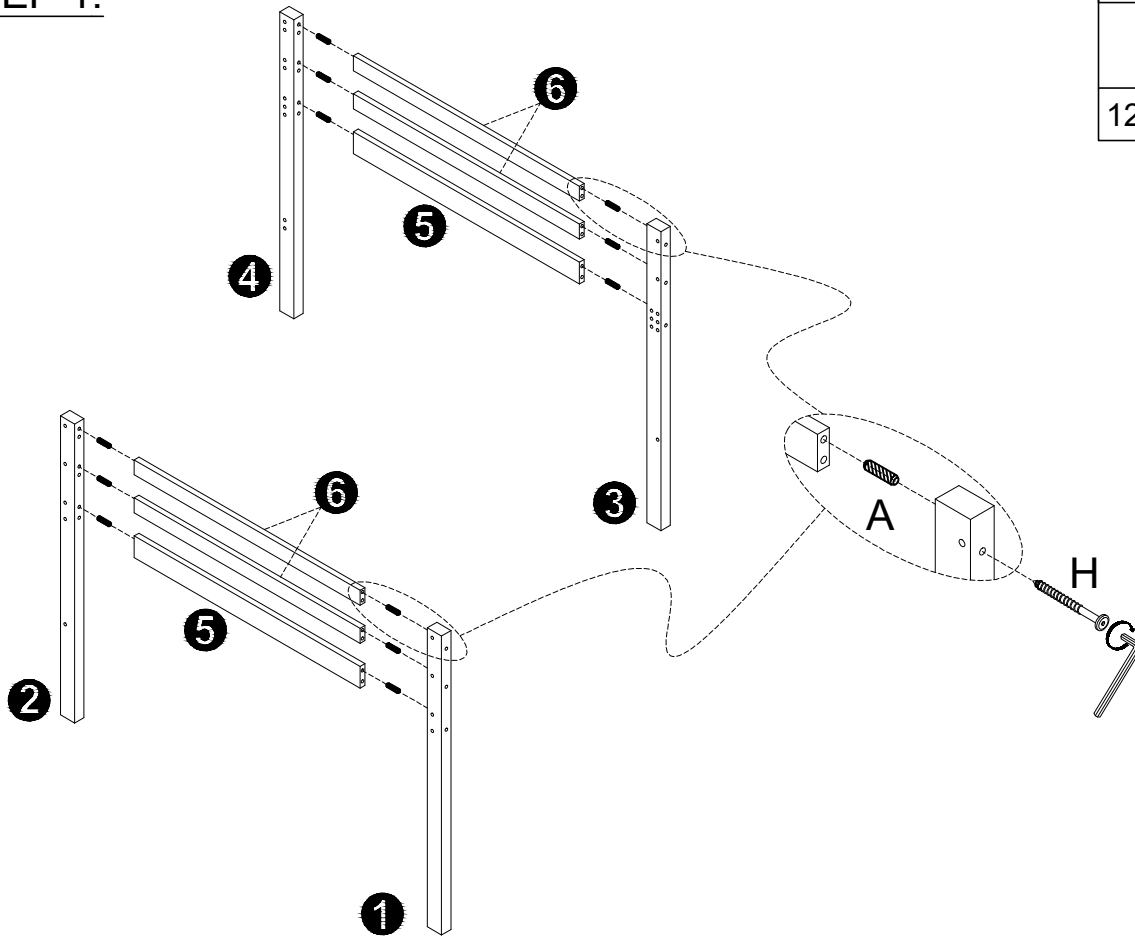
ASSEMBLY TOOLS REQUIRED (NOT INCLUDED)






PLEASE BE CAREFUL DO NOT DAMAGE THE HOLE POSITION WHEN YOU USE POWER TOOLS !

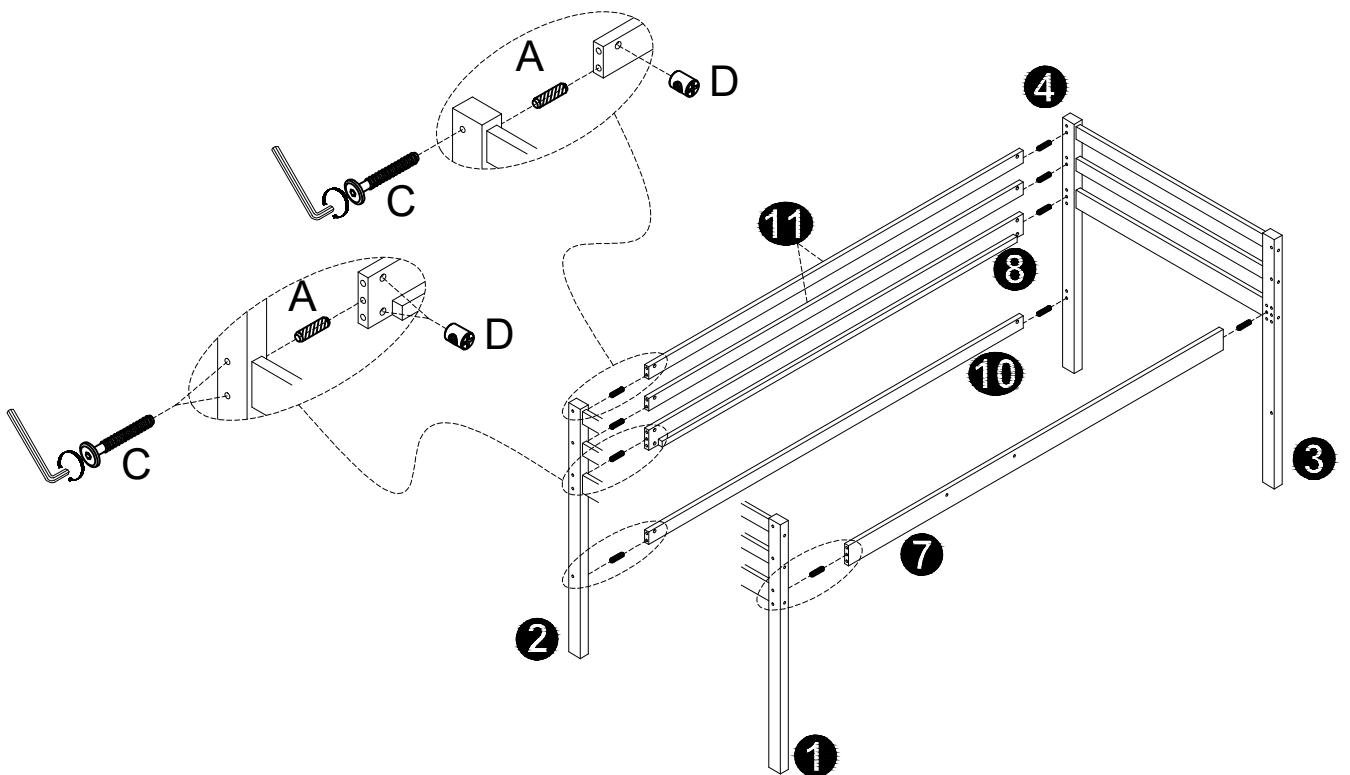
STEP 1:

| | |
|-------------------------------------------------------------------------------------|-------------------------------------------------------------------------------------|
| A | H |
|  |  |
| 12PCS | 12PCS |




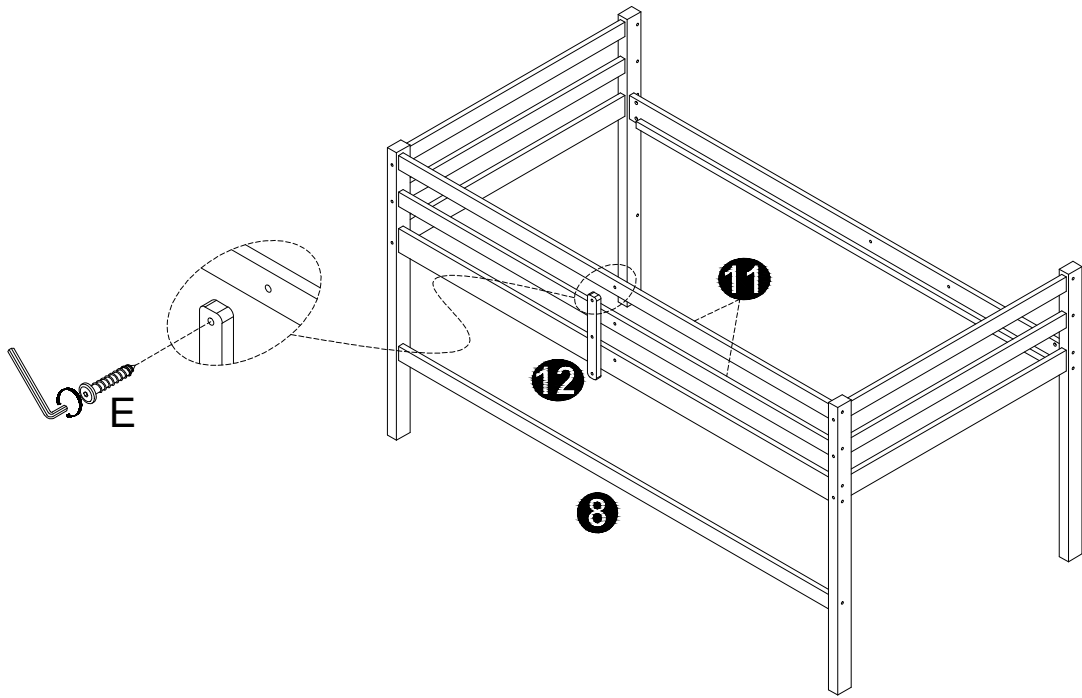
STEP 2:

| | | |
|---------------------------------------------------------------------------------------|---------------------------------------------------------------------------------------|---------------------------------------------------------------------------------------|
| A | C | D |
|  |  |  |
| 10PCS | 14PCS | 14PCS |






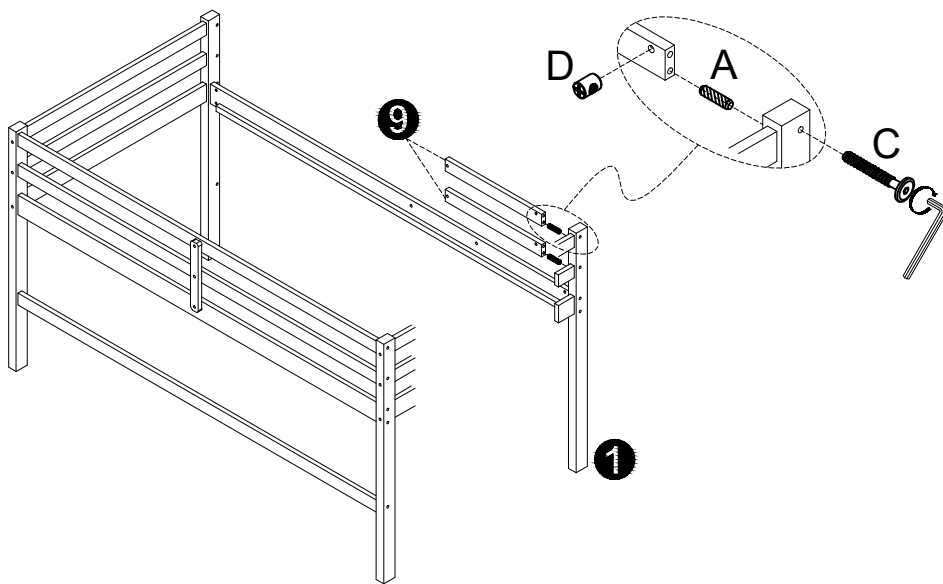
STEP 3:

| |
|-------------------------------------------------------------------------------------|
| E |
|  |
| 3PCS |






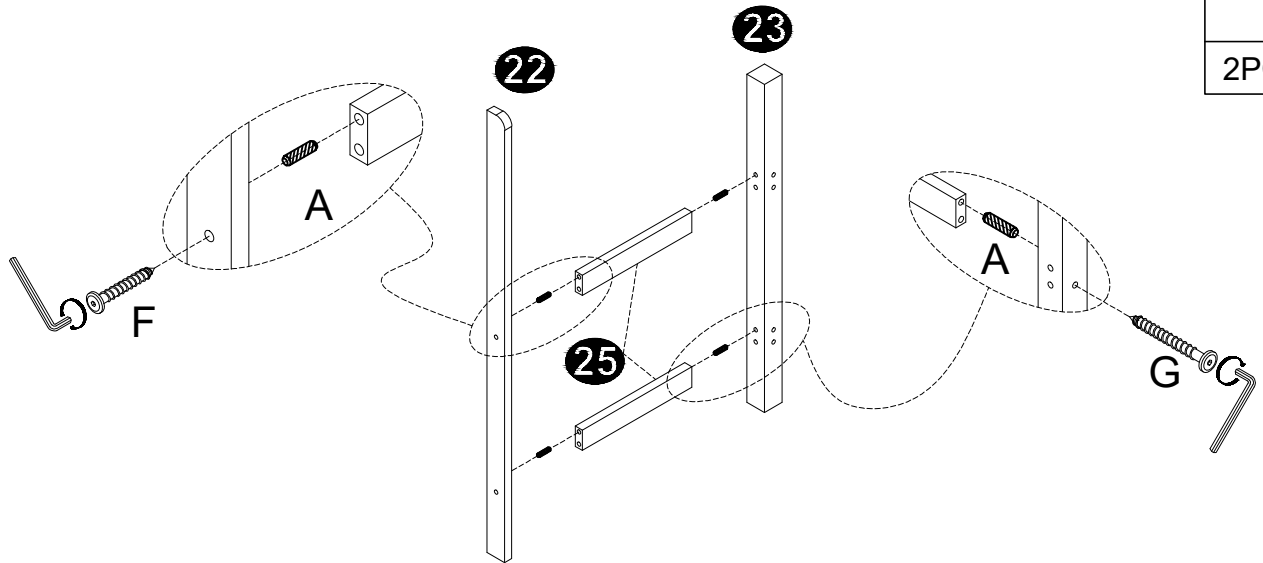
STEP 4:

| | | |
|---------------------------------------------------------------------------------------|---------------------------------------------------------------------------------------|---------------------------------------------------------------------------------------|
| A | C | D |
|  |  |  |
| 2PCS | 2PCS | 2PCS |




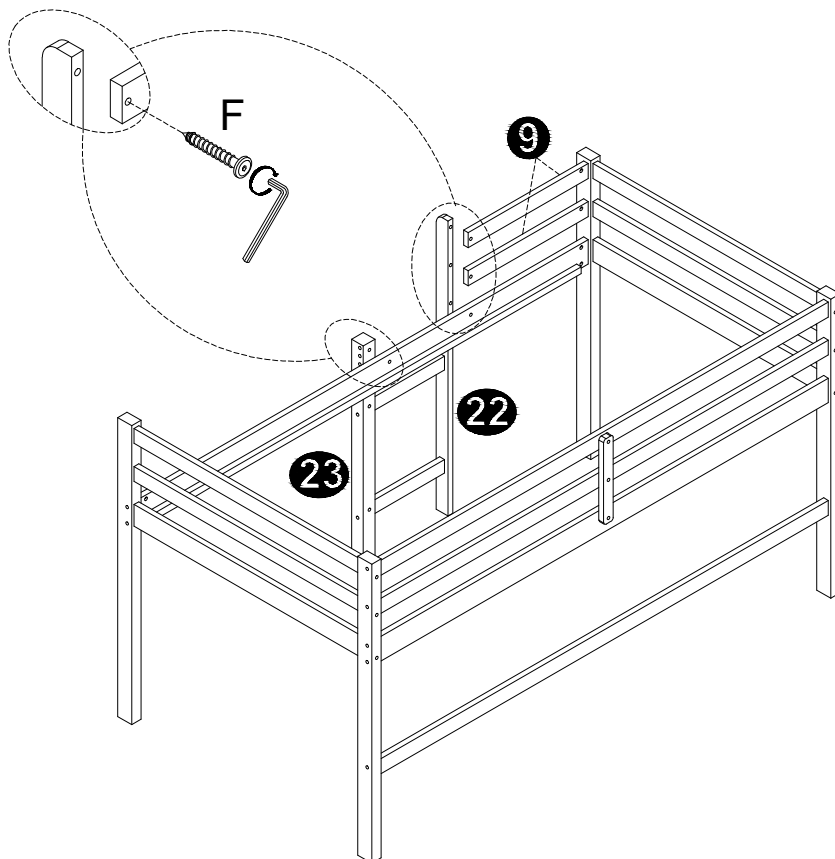
STEP 5:

| | | | |
|----------|-------------------------------------------------------------------------------------|----------|-------------------------------------------------------------------------------------|
| A |  | F |  |
| 4PCS | | 2PCS | |
| | | G |  |
| | | 2PCS | |

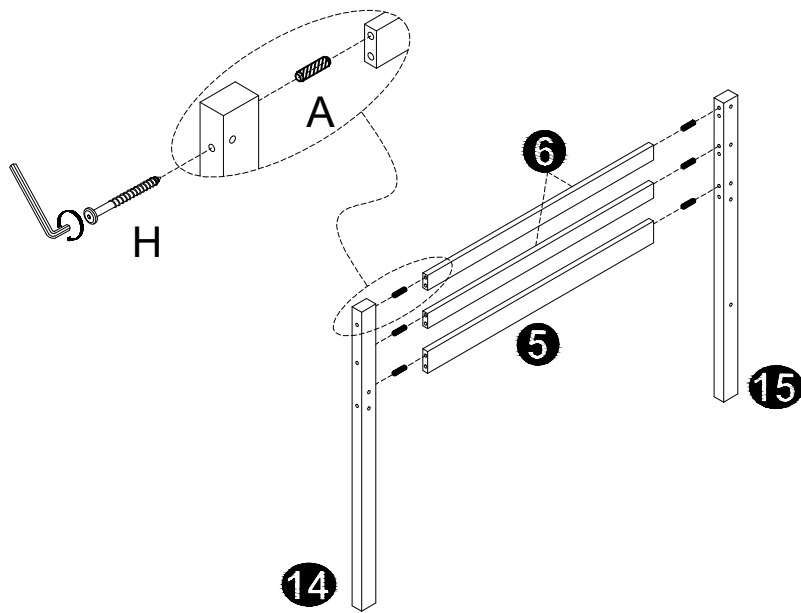




STEP 6:

| | |
|----------|---------------------------------------------------------------------------------------|
| F |  |
| 4PCS | |

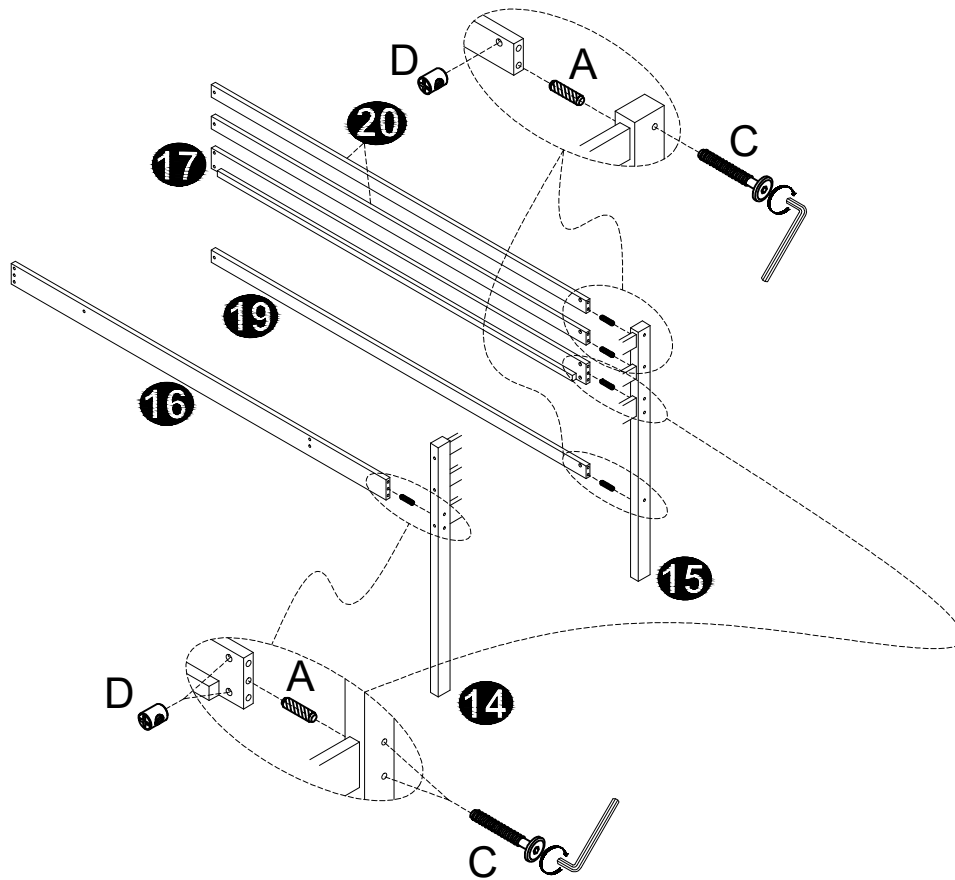





STEP 7:





| | |
|-------------------------------------------------------------------------------------|-------------------------------------------------------------------------------------|
| A | H |
|  |  |
| 6PCS | 6PCS |

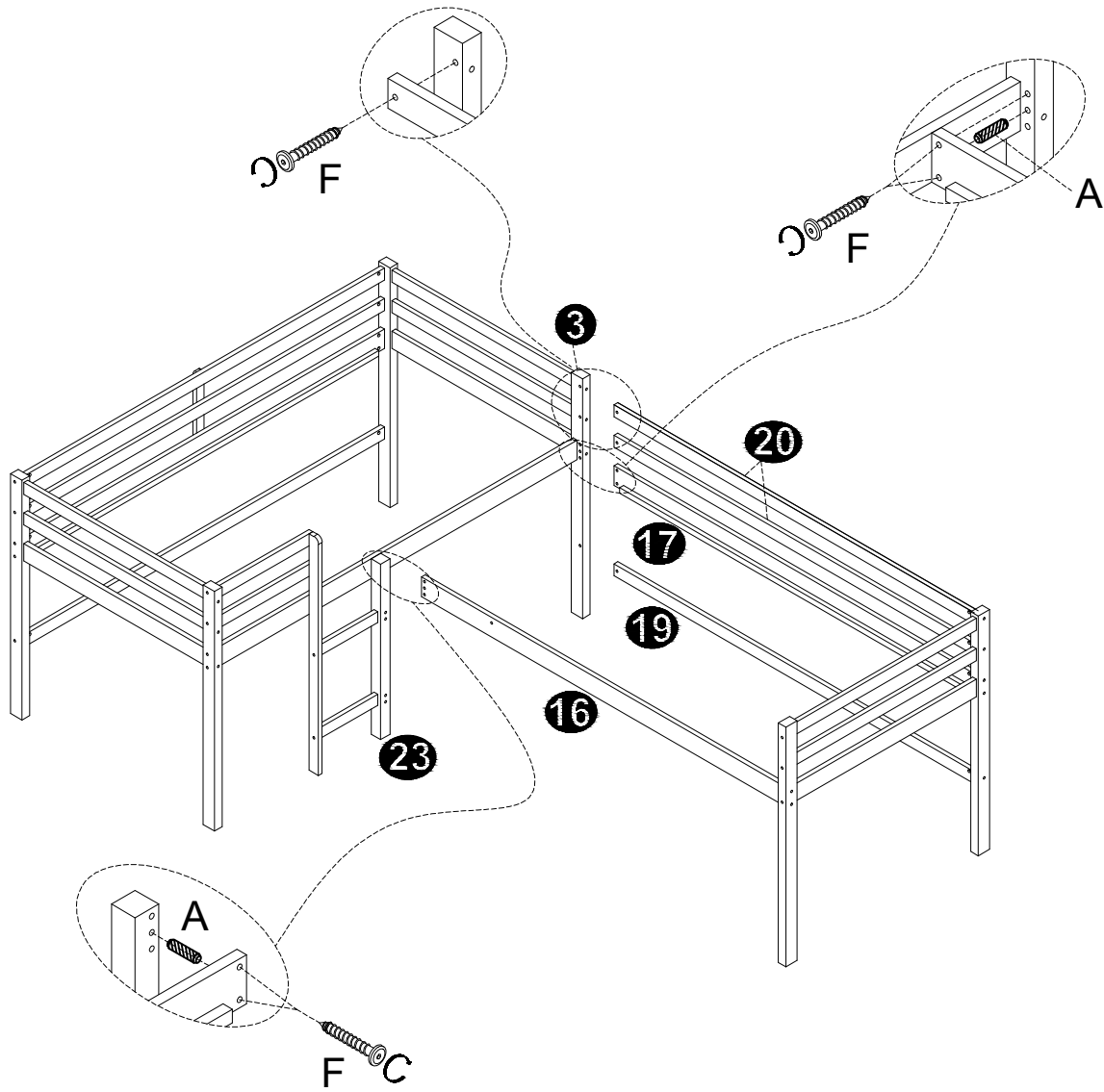
STEP 8:



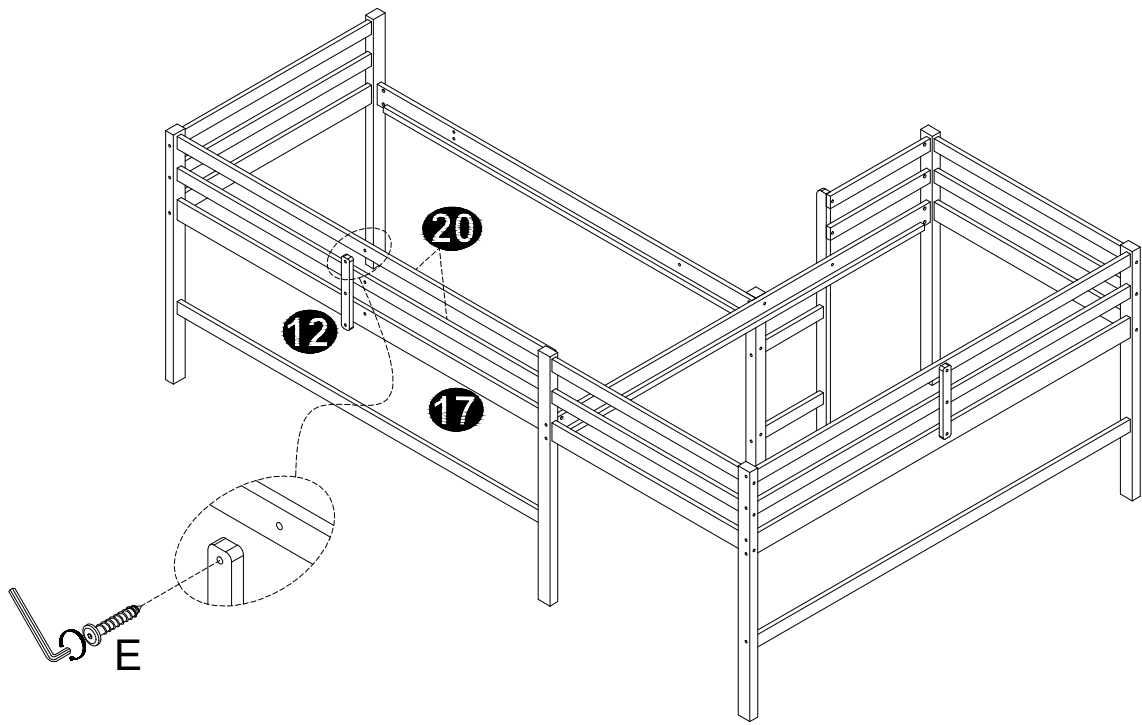
| | | |
|-------------------------------------------------------------------------------------|-------------------------------------------------------------------------------------|-------------------------------------------------------------------------------------|
| A | C | D |
|  |  |  |
| 5PCS | 7PCS | 7PCS |


STEP 9:

| | | | |
|-------------|-------------------------------------------------------------------------------------|-------------|-------------------------------------------------------------------------------------|
| A |  | F |  |
| | | | |
| 2PCS | | 7PCS | |

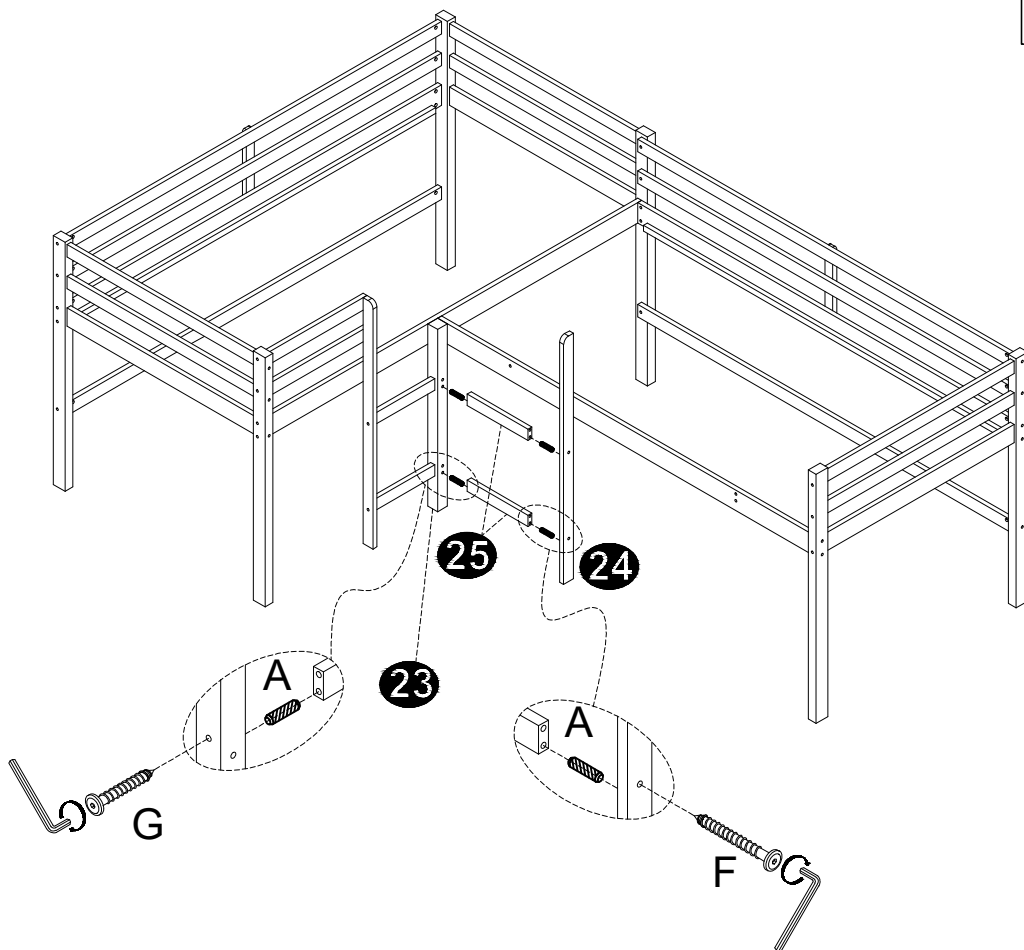





STEP 10:




| |
|-------------------------------------------------------------------------------------|
| E |
|  |
| 3PCS |

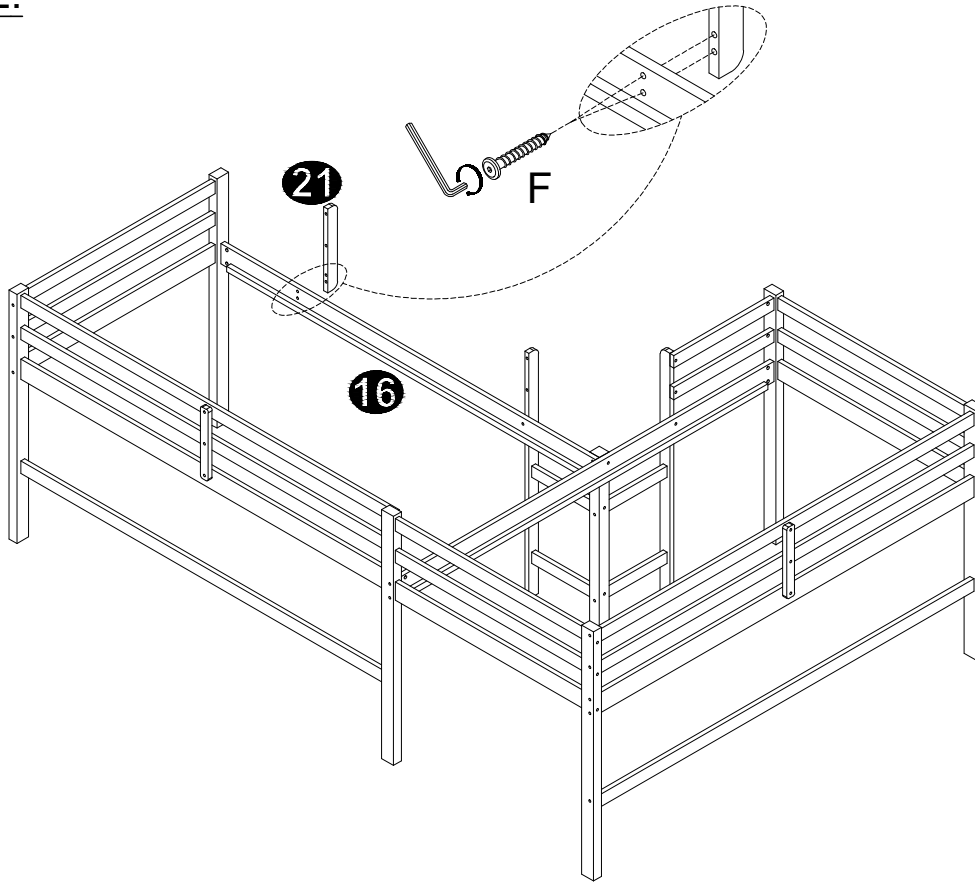
STEP 11:




| | |
|---------------------------------------------------------------------------------------|---------------------------------------------------------------------------------------|
| A | F |
|  |  |
| 4PCS | 2PCS |
| | G |
| |  |
| | 2PCS |

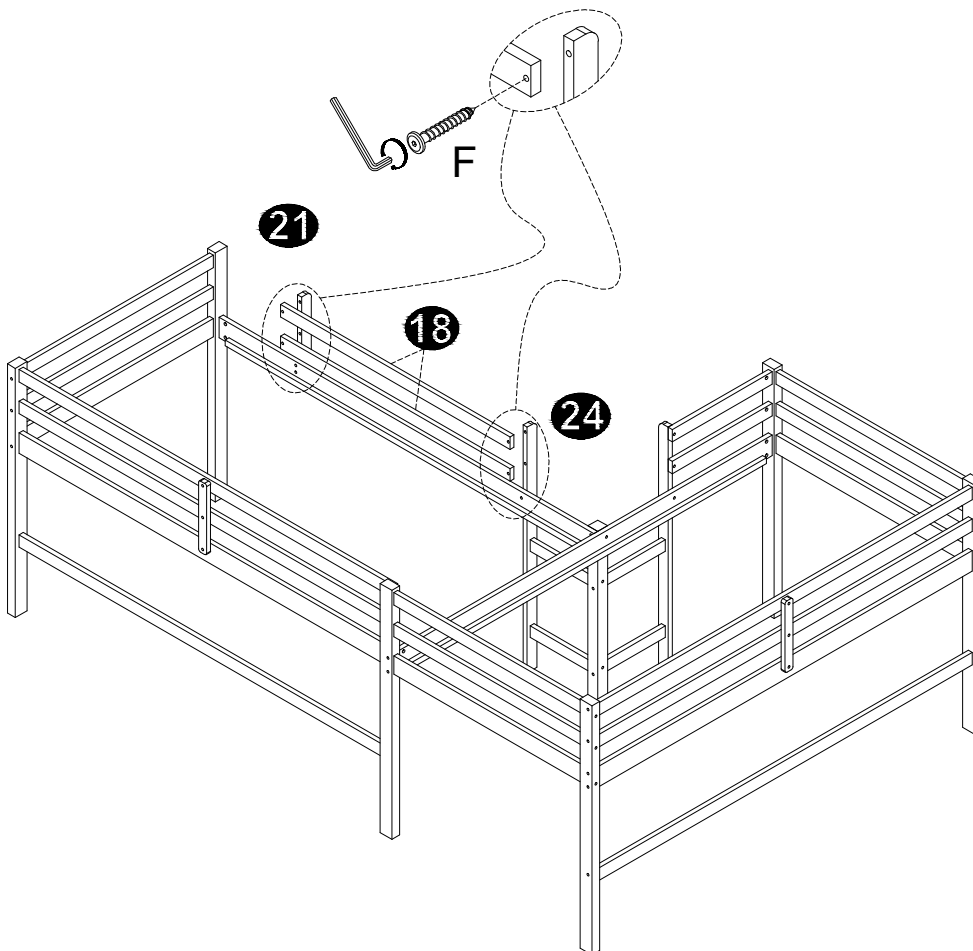
STEP 12:

F

2PCS





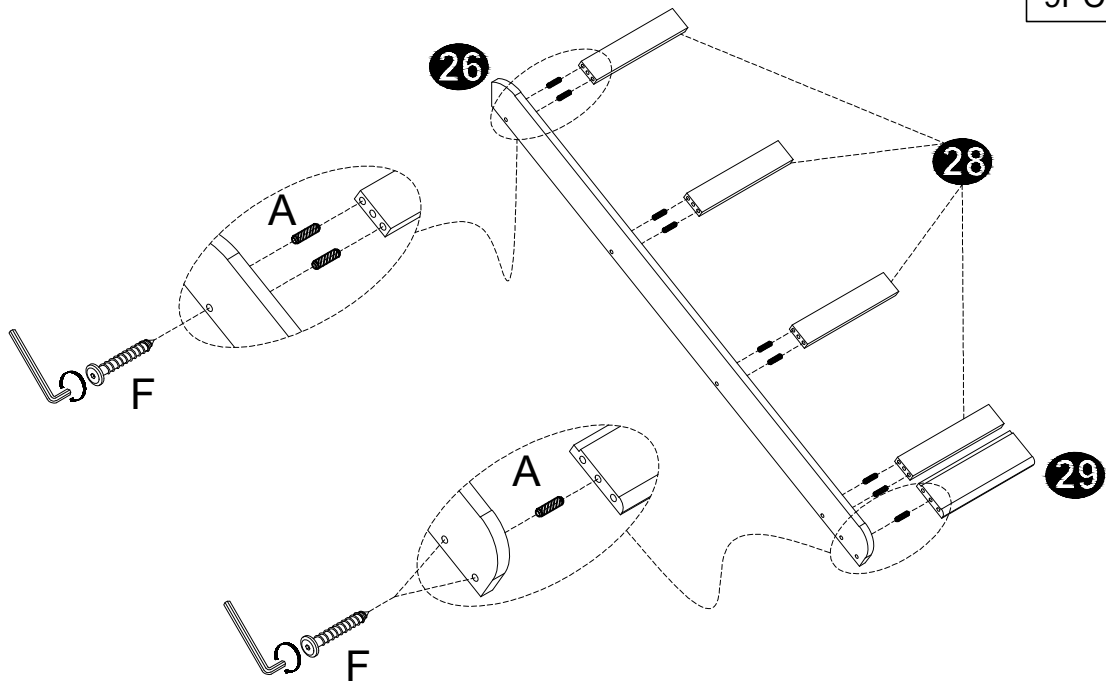
STEP 13:

F

5PCS





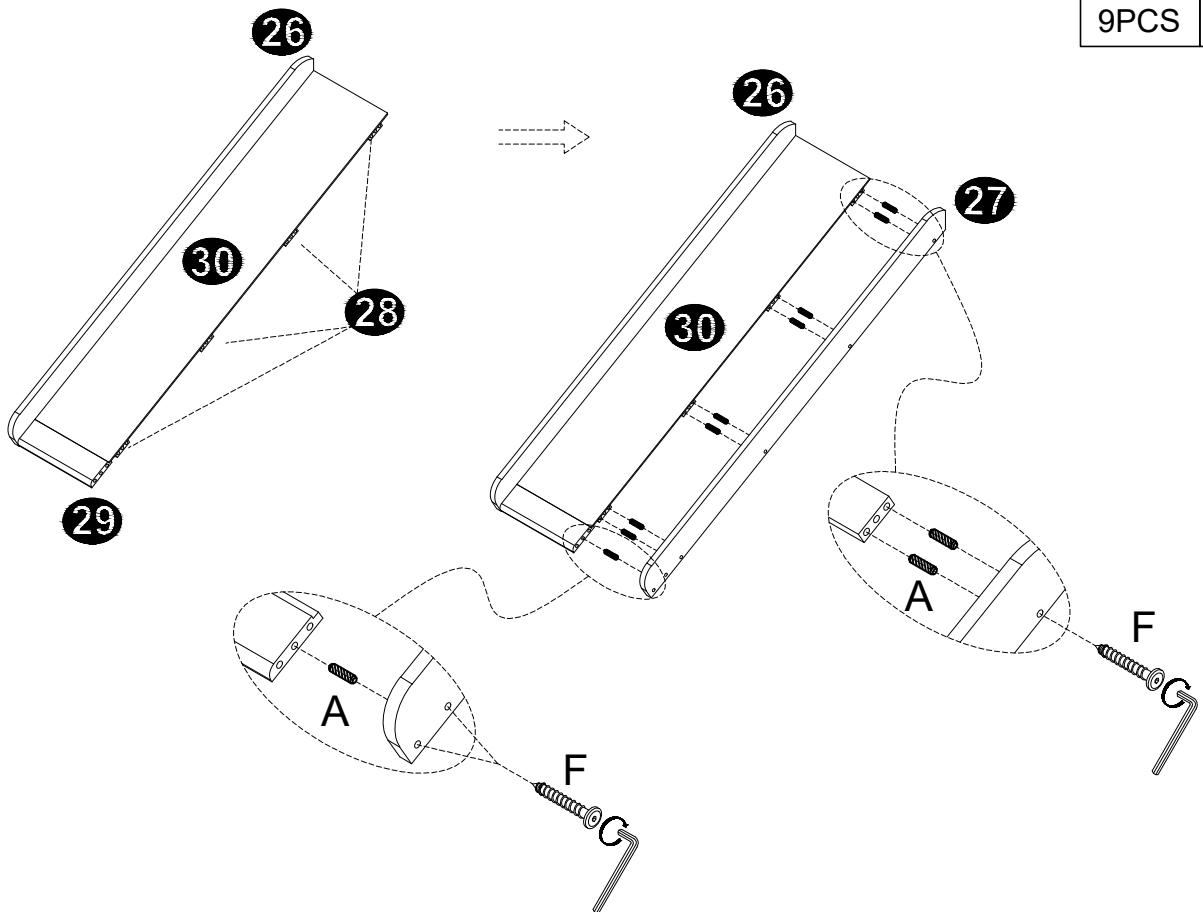
STEP 14:

| | |
|-------------------------------------------------------------------------------------|-------------------------------------------------------------------------------------|
| A | F |
|  |  |
| 9PCS | 6PCS |


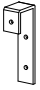



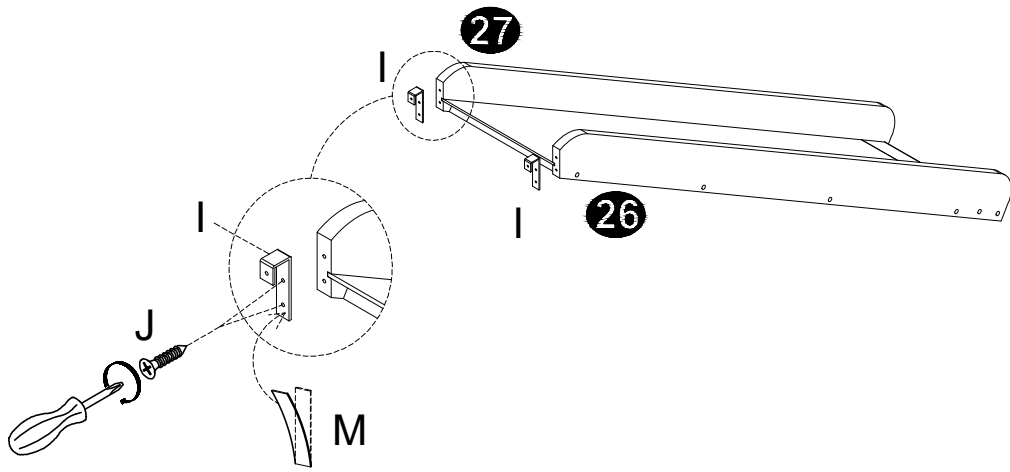
STEP 15:

| | |
|---------------------------------------------------------------------------------------|---------------------------------------------------------------------------------------|
| A | F |
|  |  |
| 9PCS | 6PCS |




STEP 16:

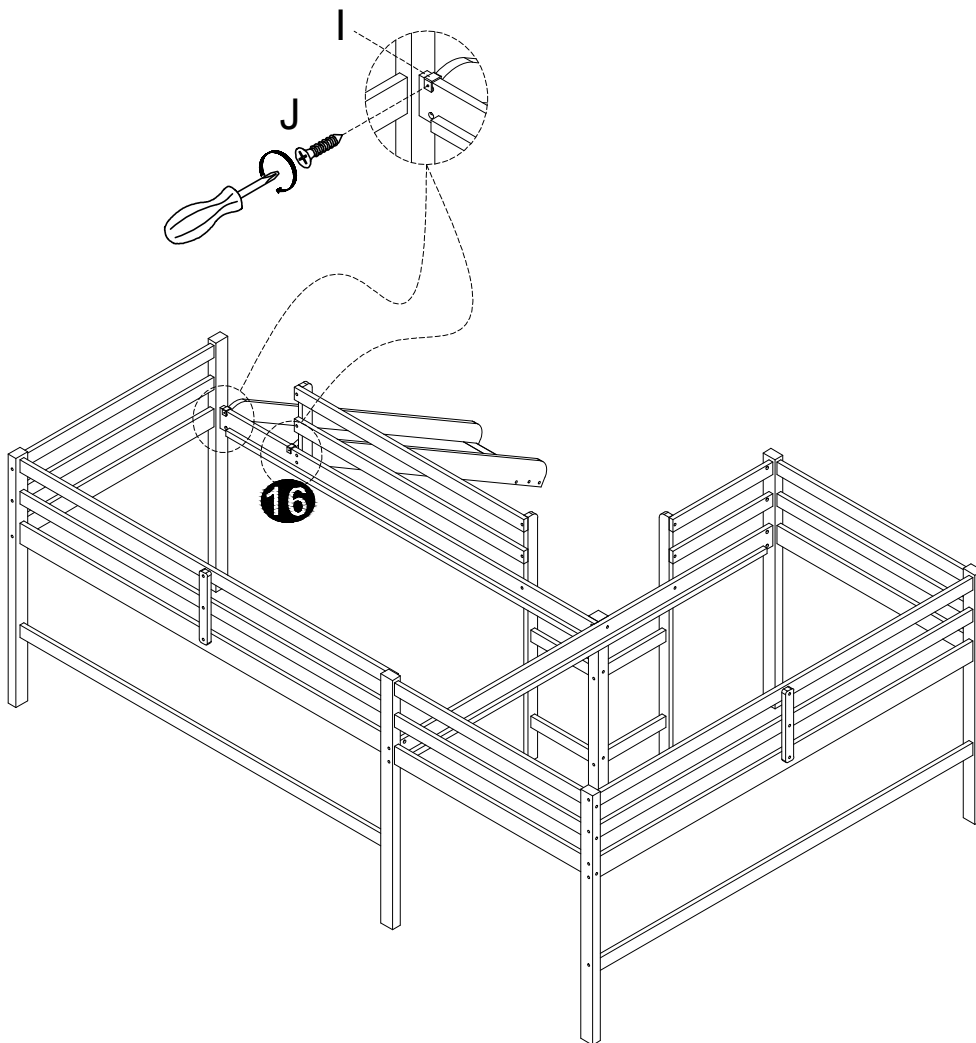
| | | |
|-------------------------------------------------------------------------------------------------|-------------------------------------------------------------------------------------------------|-------------------------------------------------------------------------------------------------|
| M  | I  | J  |
| 2PCS | 2PCS | 4PCS |




Felt stickers

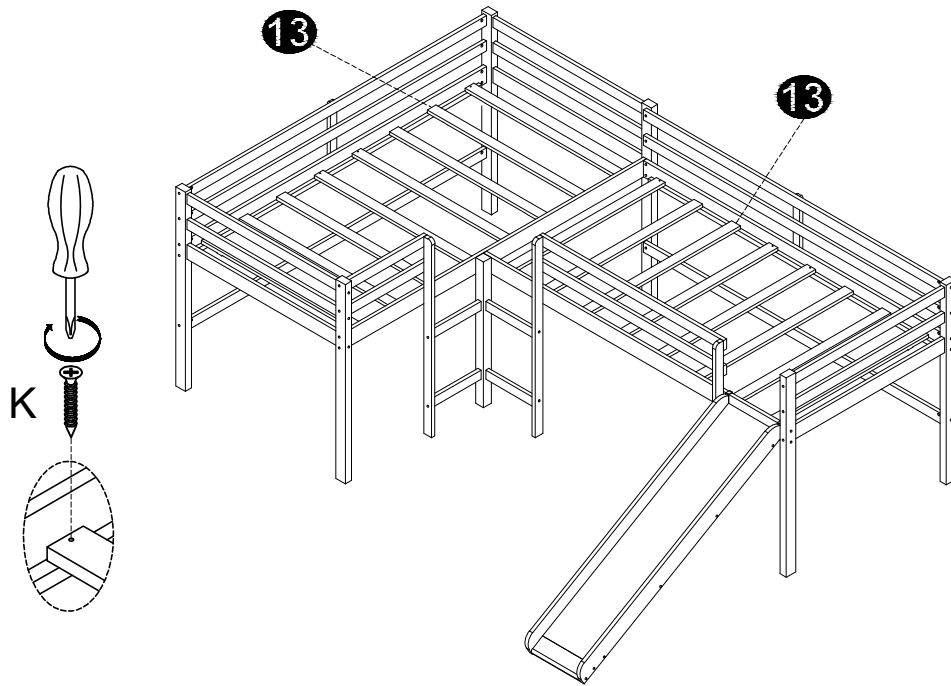
STEP 17:

| |
|--------------------------------------------------------------------------------------------------|
| J  |
| 2PCS |





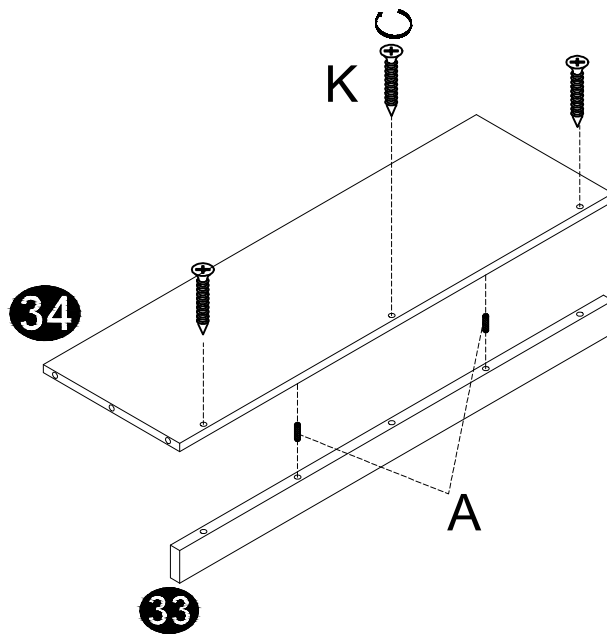
STEP 18:

| | |
|-------|-------------------------------------------------------------------------------------|
| K |  |
| 32PCS | |




STEP 19:

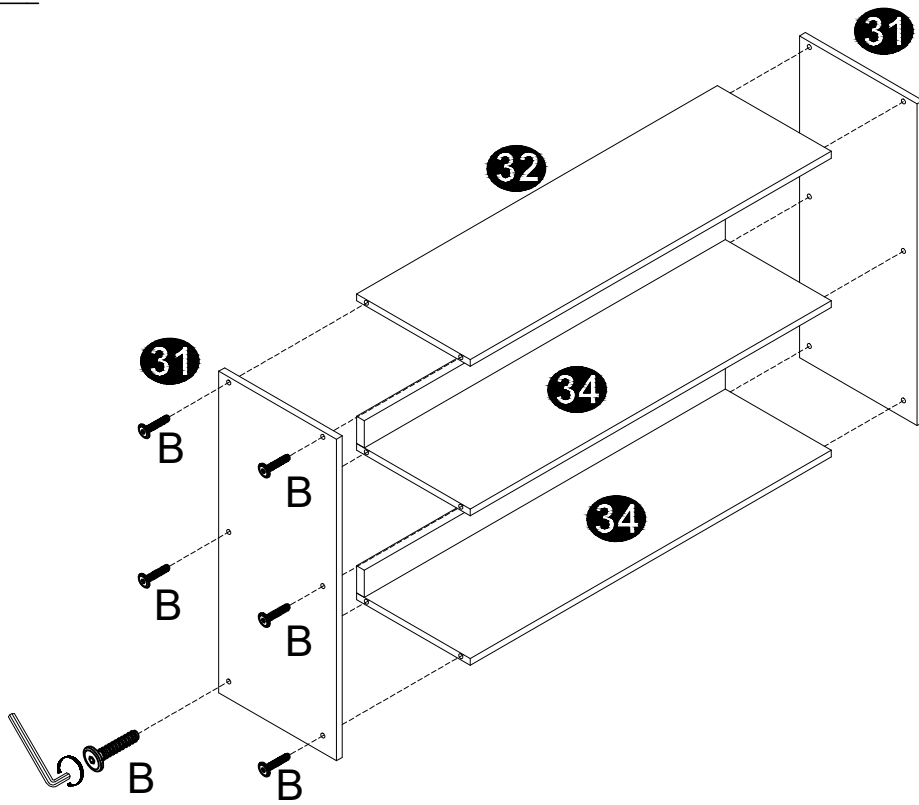
| | |
|---------------------------------------------------------------------------------------|---------------------------------------------------------------------------------------|
| A | K |
|  |  |
| 8PCS | 12PCS |



X4

STEP 20:

| |
|-------------------------------------------------------------------------------------|
| B |
|  |
| 24PCS |



COMPLETED

