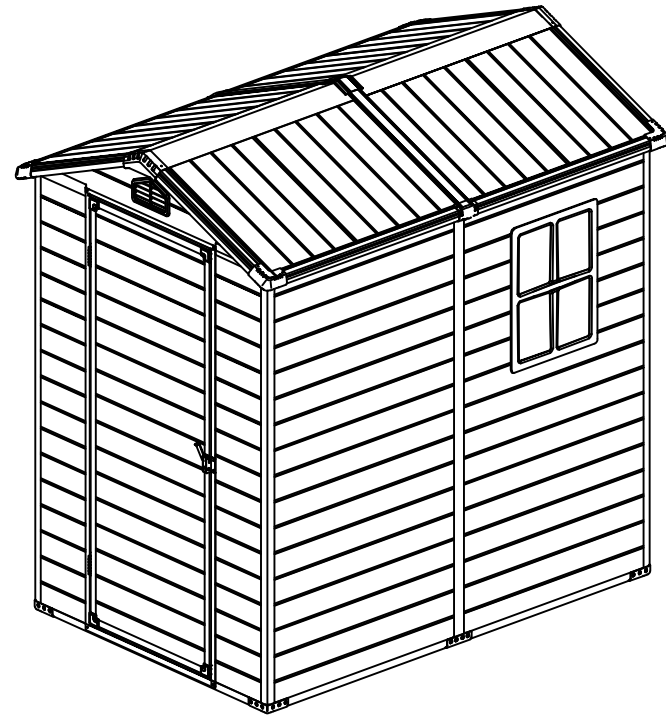


# Resin Garden Shed

OWNER'S MANUAL  
Instructions for Assembly



---

## CC73

Requires three people and take 3-4 hours for installation.  
Quick & Easy assembly. Ridge Reinforced Walls.  
Available in Various Sizes.

# BEFORE YOU START

---

## Owner's Manual

Prior to installation, it is important that you contact your local government authority to determine if building approval is required. Study and understand this owner's manual. Important information and helpful tips will make your construction easier and more enjoyable.

## Assembly instructions

Instructions are supplied in this manual and contain all appropriate information for your building model. Review all instructions before you begin. During assembly, follow the step sequence carefully for correct results. Please be aware: this unit takes 3 people about 3 - 4 hours to complete.

## Parts

Check to be sure that you have all the necessary parts for the building.

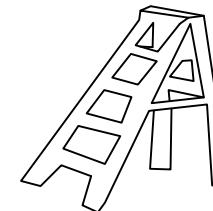
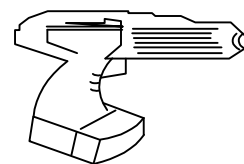
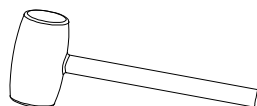
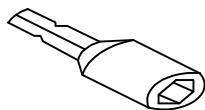
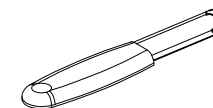
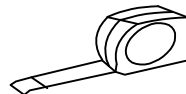
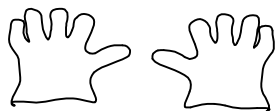
Separate contents of the carton by the part number while reviewing parts list.

Familiarize yourself with the hardware and fasteners for easier use during construction. These are packaged within the carton. Note that extra fasteners have been supplied for your convenience.

---

# TOOLS MAY REQUIRED

---

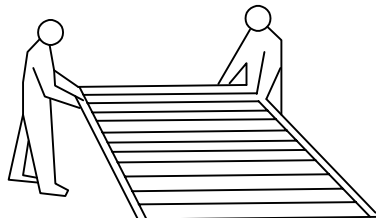


Use heavy duty gloves when handling steel sheets and flashing

---

# PLAN AHEAD

---



## Watch the weather:

Please be sure the day you select for installation is dry and calm.

**DO NOT** attempt to assemble your shed in windy weather because of risk of damage to panels, or personal injury. Be careful of wet or muddy ground.

## Teamwork:

Whenever possible, two or more people should work together to assemble the building. One person can position parts or panels

# PLAN AHEAD

---

## Site Selection

Avoid overhanging trees as much as possible as leaves will make regular cleaning necessary and broken branches are a potential hazard.

Small trees, bushes or fences nearby can be helpful, acting as a wind break.

If a concrete pad is made, it is important that this slopes towards the edges to prevent water ingress.

Time must be allowed for any concrete or cement to dry before building the shed on top.

## Site Preparation

The site must be prepared so that the base of the shed is level all round and checking with a spirit level is required.

The base can be constructed by treated timber or concrete, in order to stop the moisture getting into the shed. The shed is not designed to be built onto lawn directly. Also the ground will get muddy during rainy days.

Bases can also be constructed from bricks, blocks, or mounted on a concrete pad.

The bricks or blocks should be cemented onto firm and level concrete footings and the greenhouse frame drilled and screwed to the base.

---

## IMPORTANT NOTES:

---

Find someone to help you: it is much easier with someone to hold parts, pass tools etc. Also some steps require two people to lift structures together. This is not very heavy work so would suit most able-bodied people.

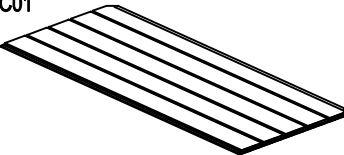
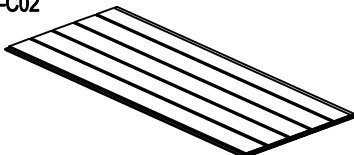
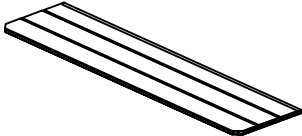
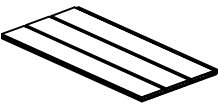
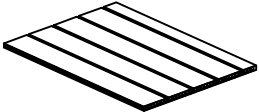

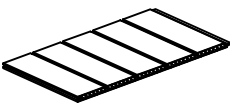
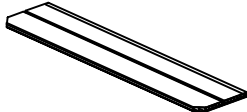
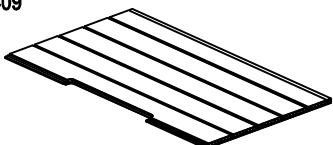
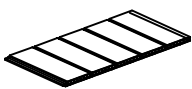
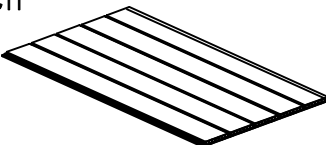
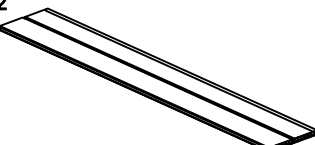
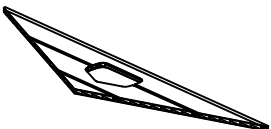
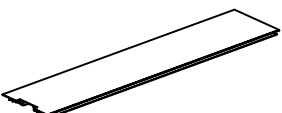
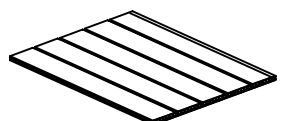
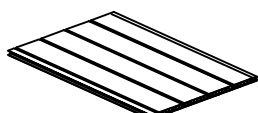
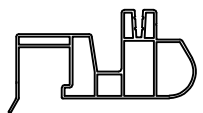
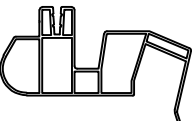
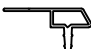

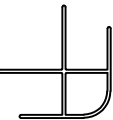
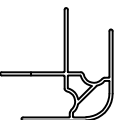
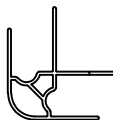
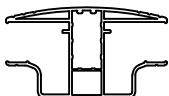

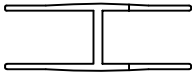

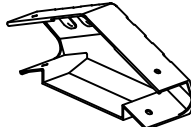
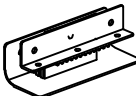
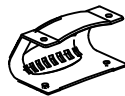
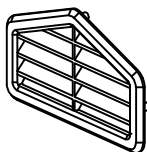
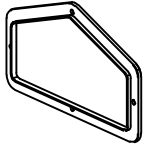
Allow plenty of time: rushing often causes errors and the re-doing of incorrect assemblies. If you have never built a shed before, it can take most of a day to carefully complete the construction.





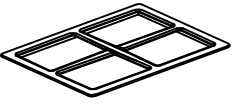
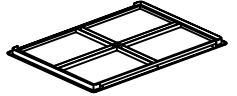
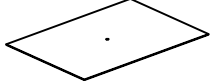
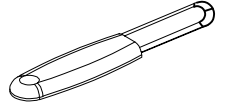


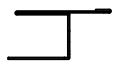


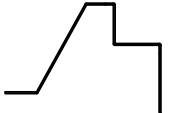


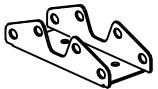
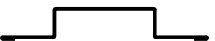


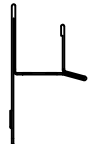


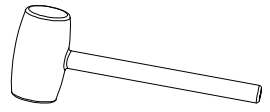



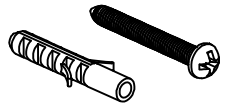

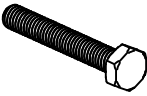


Have the right tools to hand.

Safety clothing as recommended in the 'Tools' section.

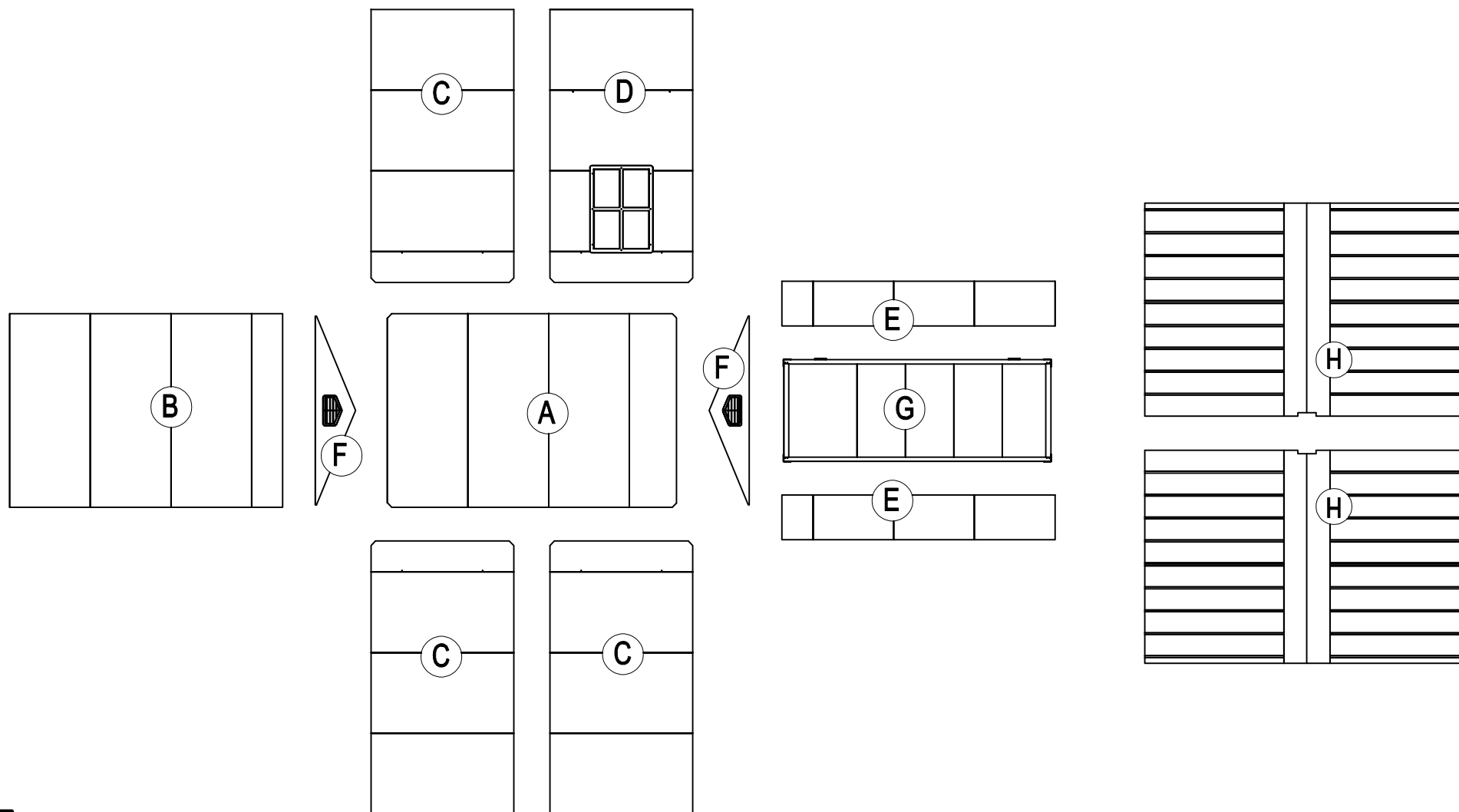
Ideally lay out the parts and check that all are present before commencing construction. Lay on cloths or plastic sheets if there is any risk of scratching the parts.

Tighten all nuts carefully, being sure not to miss any. Check the frame is square and using a spirit level to check that it is upright.

A64-C01		x 1	A64-C02		x 5	A64-C03		x 1	A64-C04		x 4
A64-C05		x 1	A64-C06		x 2	A64-C07		x 6	A64-C08		x 4
A64-C09		x 1	A64-C10		x 2	A64-C11		x 10	A64-C12		x 1
A64-C13		x 2	A64-C14		x 2	A64-V4-C01		x 4	A64-V4-C02		x 4
A64-C17		x 4	A64-C18		x 4	A64-C18-1		x 4	A64-C17-1		x 4
A64-C19		x 4	A64-C21		x 4	A64-C22		x 2	A64-C24		x 2
A86-V4-C05		x 2	A64-C26		x 1	A64-C27		x 2	A64-C29		x 2
A64-C30		x 2	A64-C31		x 2	A64-C32		x 2	A64-C33		x 2

A64-C34  x 1	F35-C27  x 4	F35-C29  x 4	F35-C30  x 4
F35-C31  x 1	F35-C32  x 1	F35-C33  x 1	F35-C34  x 1
A86-V4-A01  x 1	A64-A02  x 1	A64-V4-A01  x 1	A64-A05  x 1
A64-A06  x 2	A64-V4-A02  x 1	A64-V4-A03  x 4	A64-V4-A04  x 2
A86-V4-A06  x 1	A86-V4-A07  x 2	A64-V4-A05  x 2	A64-V4-A06  x 1
A64-V4-A07  x 1	A64-A15  x 2	D02  x 1	D03  x 1
E01 (ST4.2*13)  x 20	E02 (ST4.2*12)  x 345	E03 (ST4.8*19)  x 32	E04 (ST5.5*50)  x 6
E07 (ST4.2*55)  x 4	E08 (M6*50)  x 6	E09 (M6*8.5)  x 6	E12 (M4*10)  x 12

# Pre-installed Exploded View I

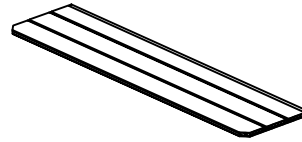
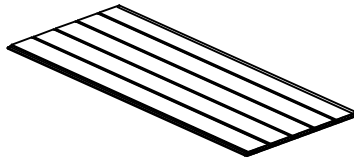
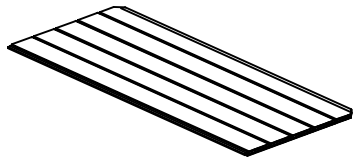


A64-C01 x 1

A64-C02 x 2

A64-C03 x 1

E02 x 6

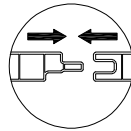


## Basement Pre-assembly

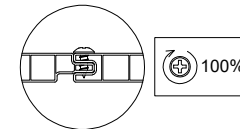
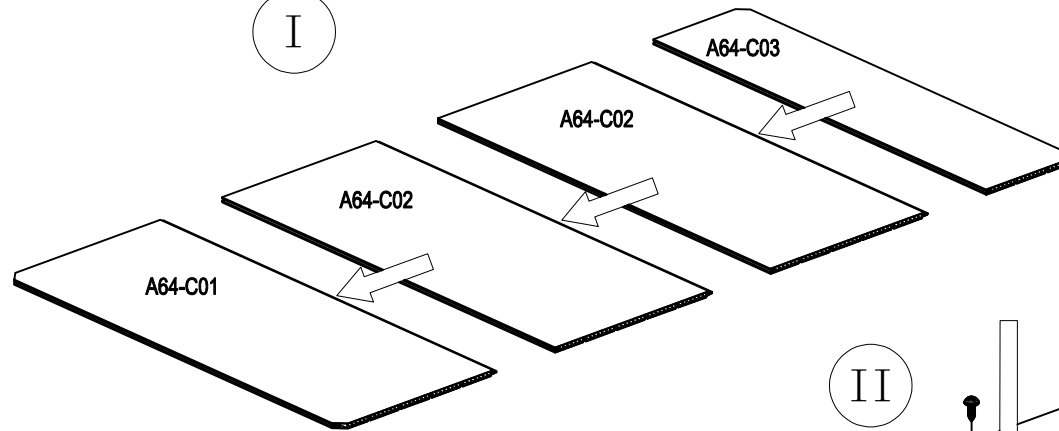
### A

All panels have a rough side and a smooth side. When installing, make sure that the smooth side is toward the inside of the storage shed.

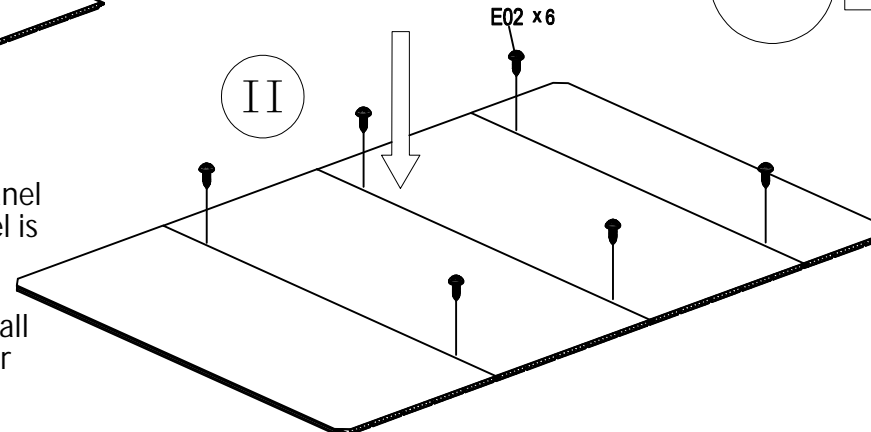
There are card slots on all panels. Align the panel and push it directly with force when installing panels; if it can't be pushed, you can stand the panel up and use the sliding type installation



I



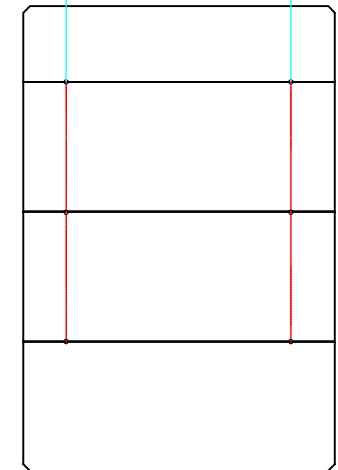
II



Place the panel smooth side up, knock the panel tightly by using hammer to make sure the panel is tightly fitted. This will prevent leaks, and then secure it with screws.

It is recommended to have three people install this at the same time, this will help with a better installation

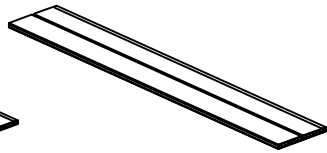
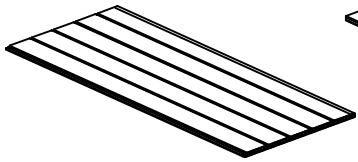
90CM



A64-C02 x 3

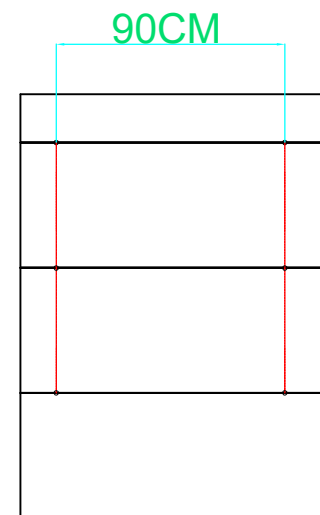
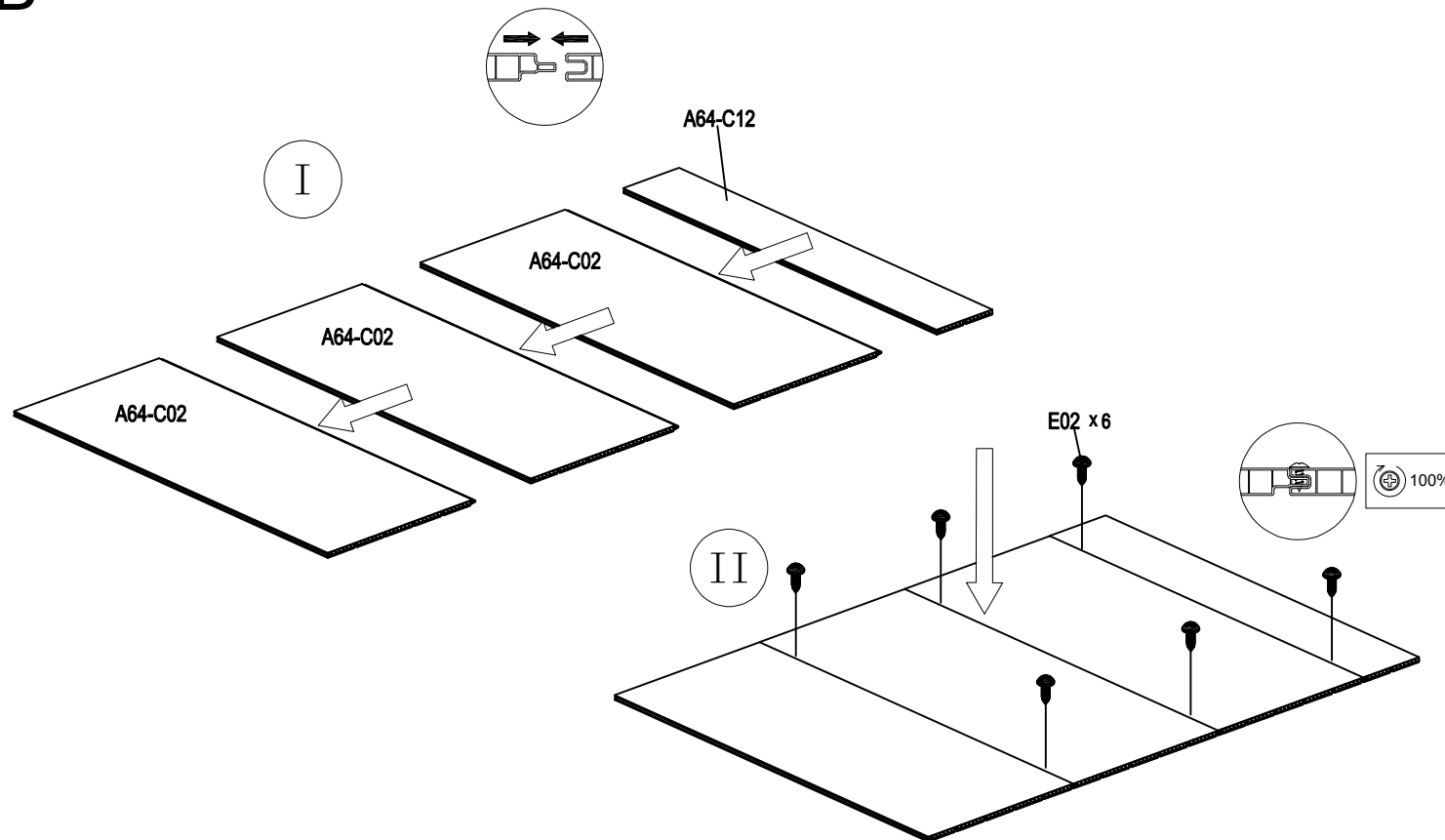
A64-C12 x 1

E02 x 6



## Back wall Pre-assembly

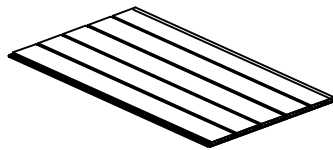
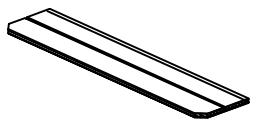
### B



A64-C08 x 3

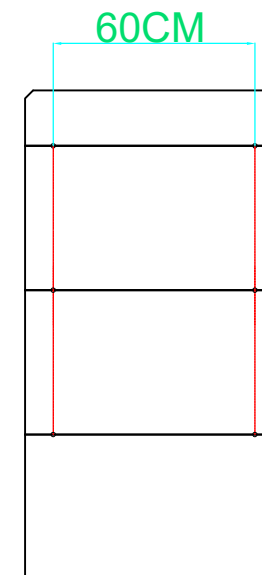
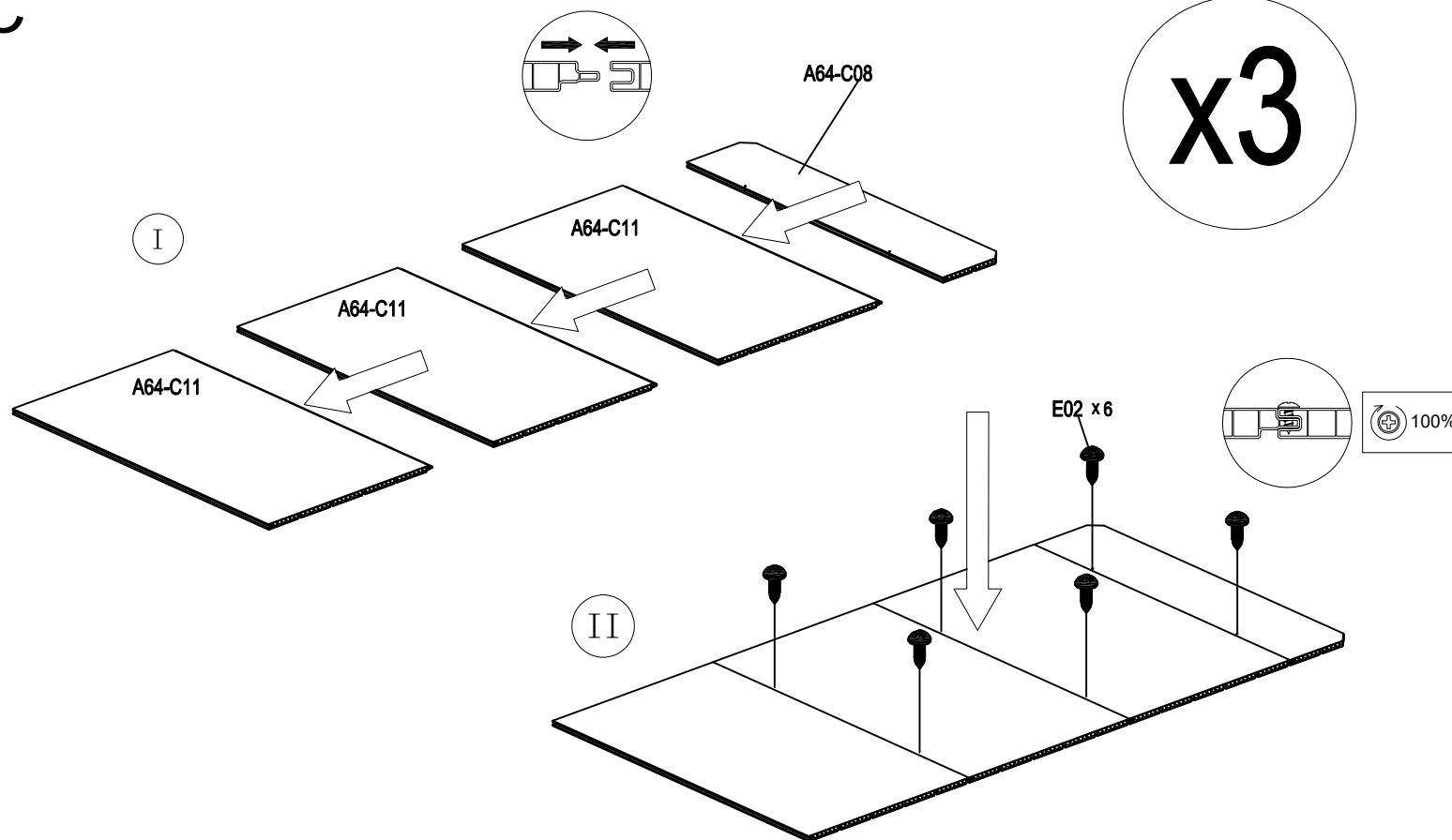
A64-C11 x 9

E02 x 18



## Side wall Pre-assembly

### C



A64-C09 x 1

A64-C10 x 2

A64-C08 x 1

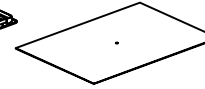
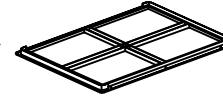
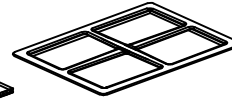
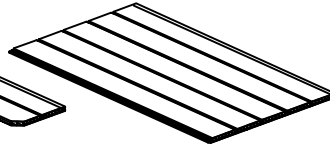
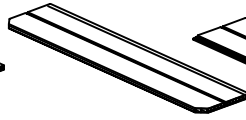
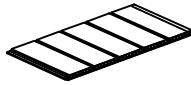
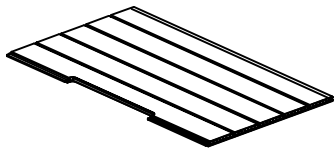
A64-C11 x 1

F35-C31 x 1

F35-C32 x 1

F35-C33 x 1

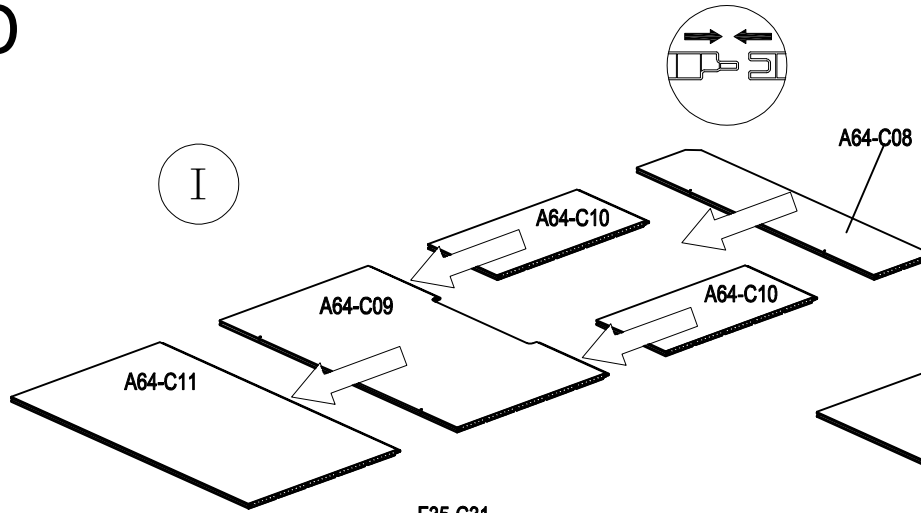
E02 x 15



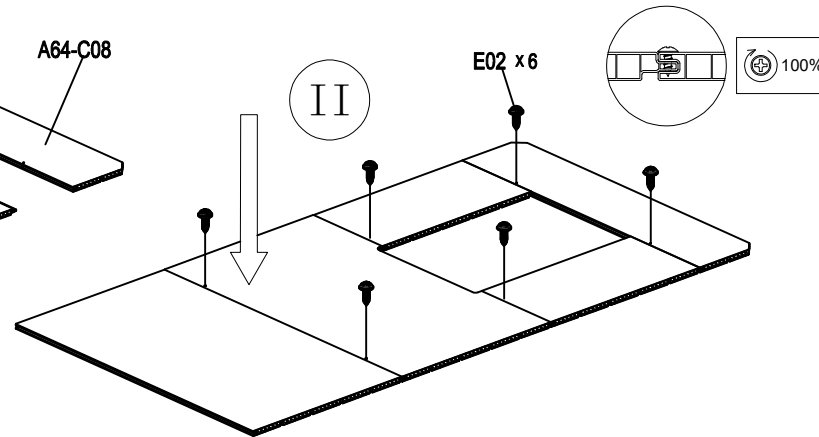
## Side wall Pre-assembly

### D

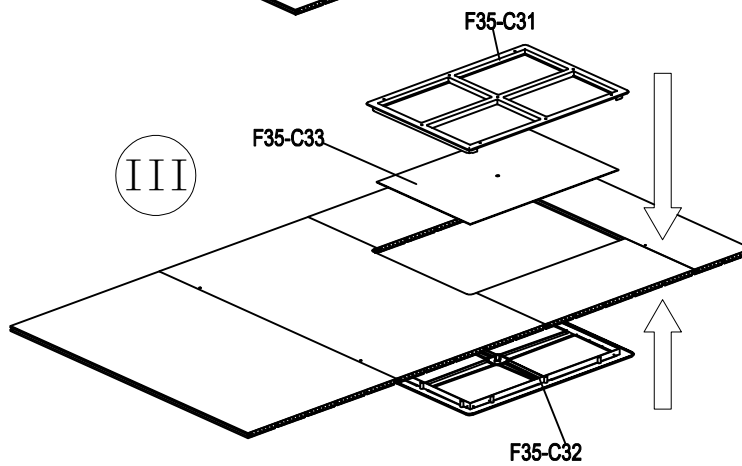
I



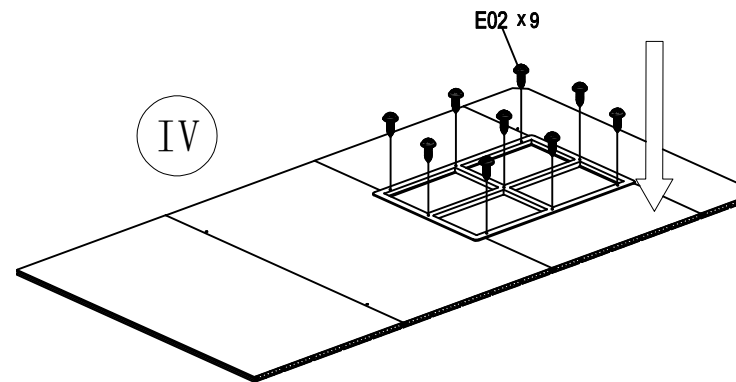
II



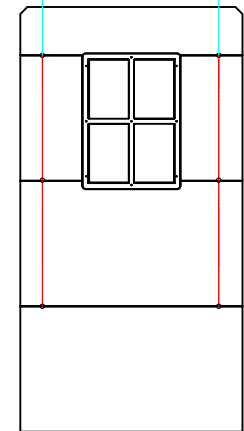
III



IV



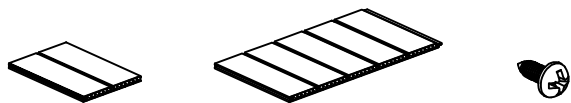
60CM



A64-C06 x 2

A64-C07 x 6

E02 x 12

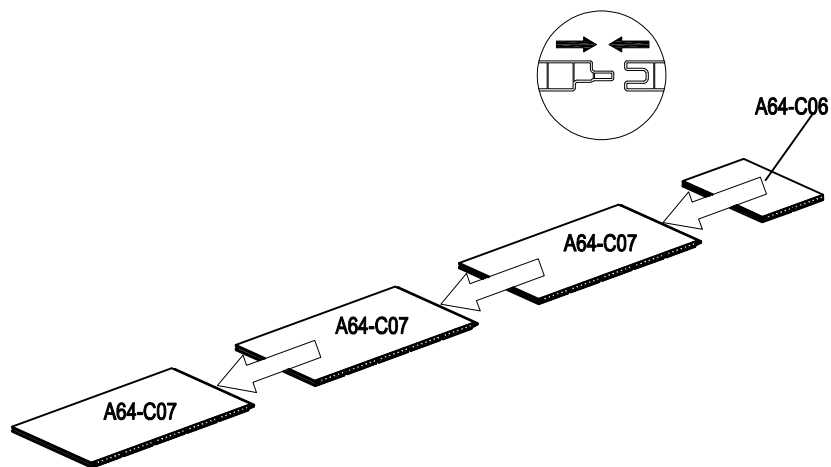


## Front wall Pre-assembly

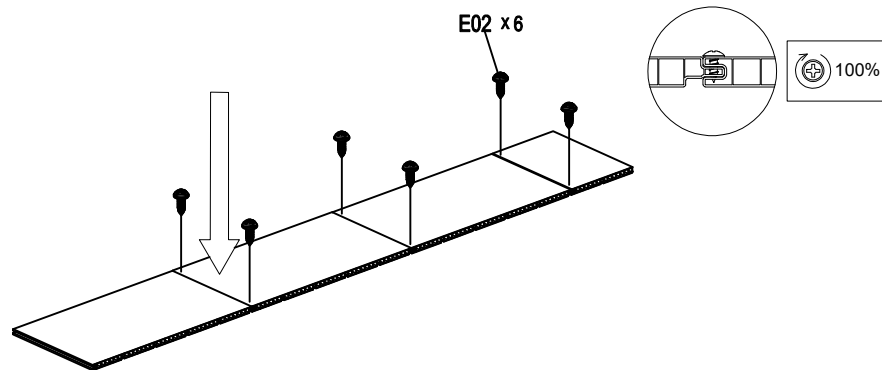
E

x2

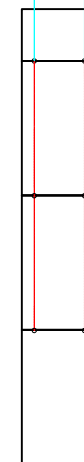
I



II



15CM

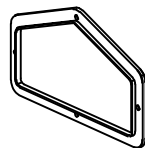
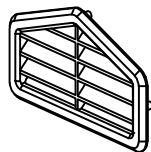
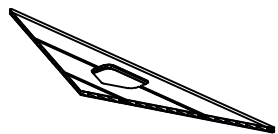


A64-C13 x 2

A64-C32 x 2

A64-C33 x 2

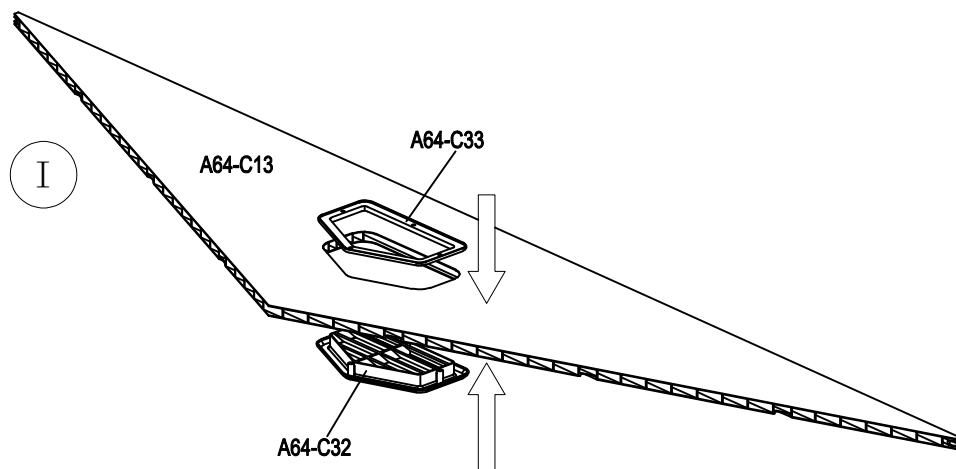
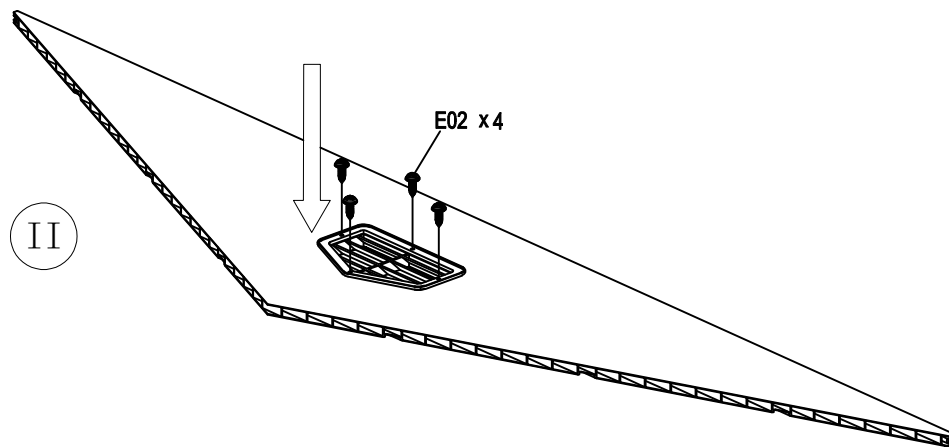
E02 x 8



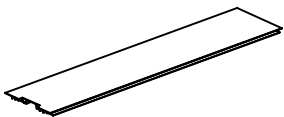
## Triangle board Pre-assembly

F

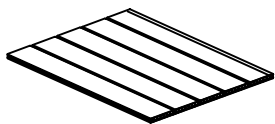
x2



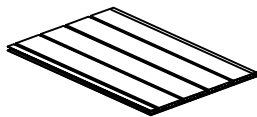
A64-C14 x 2



A64-V4-C01 x 4



A64-V4-C02 x 4



A64-V4-A03 x 4

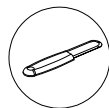


E02 x 32

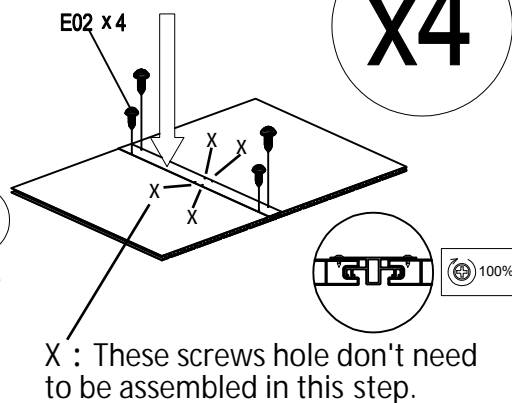
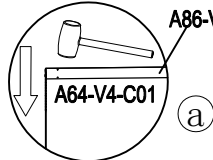
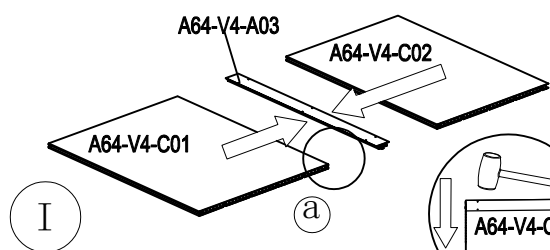


## Roof Pre-assembly

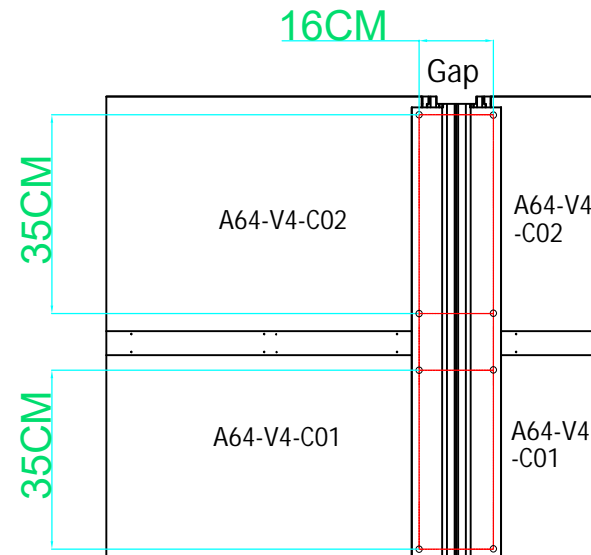
# H



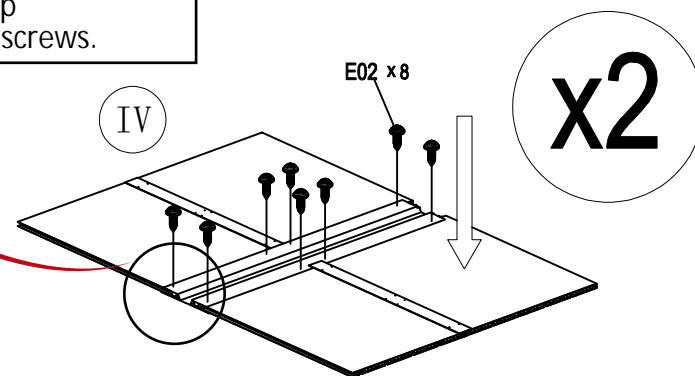
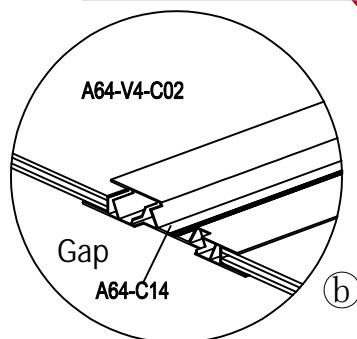
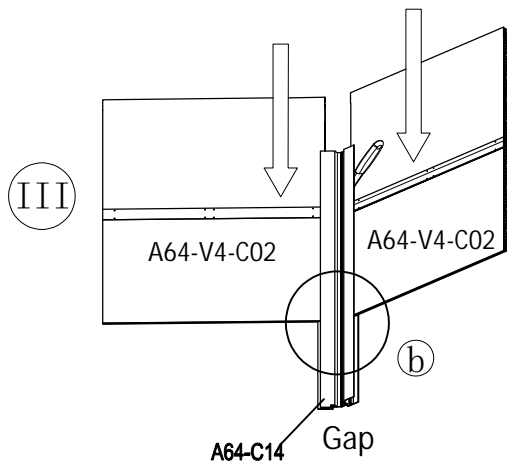
Please use rubber-knife to helping assembly.



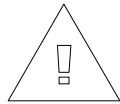
# x4



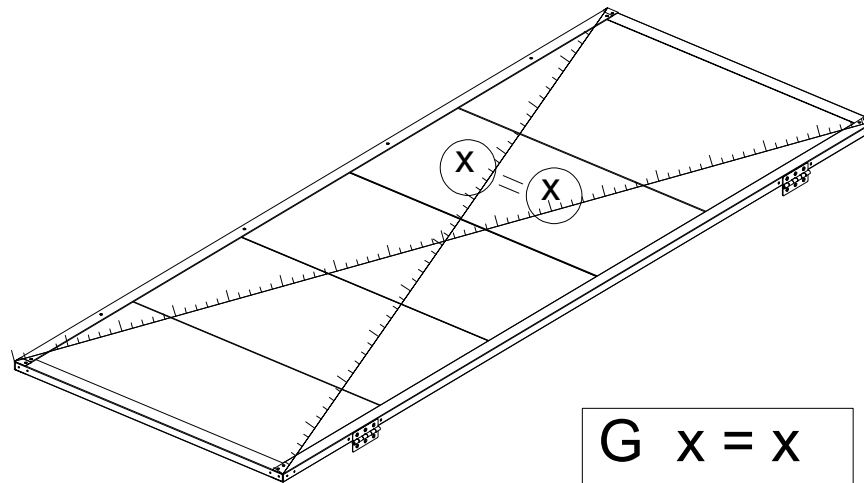
Note: Make sure all roof panels and frames (A64-V4-A03) are fully tapped into the center gap section (A64-C14) before securing with screws.



# x2



Note: When you assemble door of the page 15 ,please kindly confirm the diagonal distance "X"of the door should be same before assembling the screws.



A64-C04 x 4

A64-C05 x 1

A64-A02 x 1

A64-A05 x 1

A64-A06 x 2

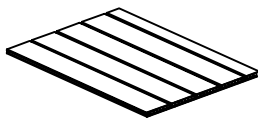
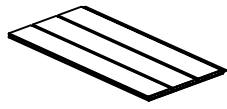
A64-A15 x 2

F35-C29 x 4

E02 x 16

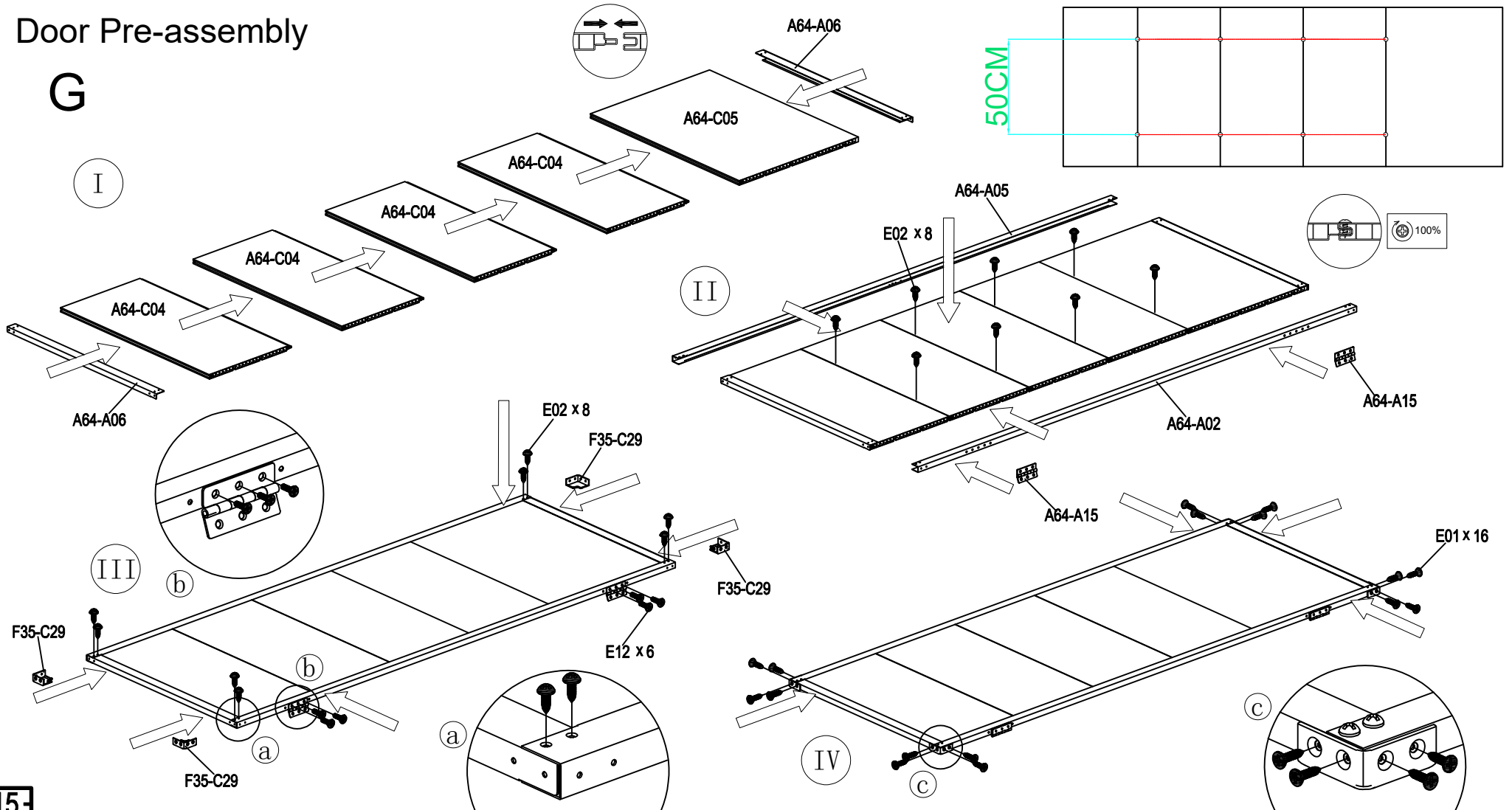
E01 x 16

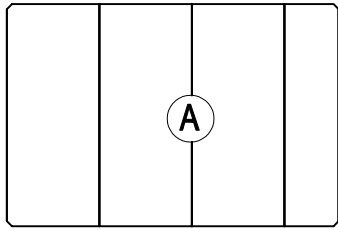
E12 x 6



# Door Pre-assembly

## G





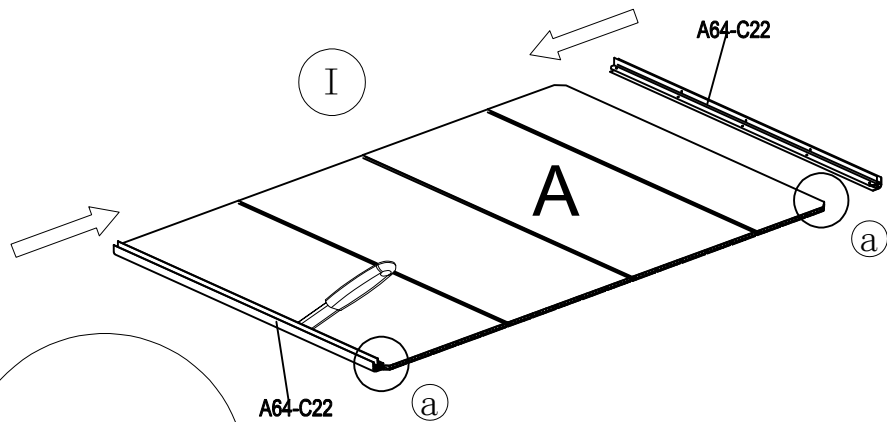
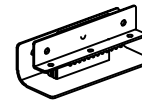
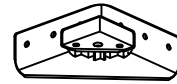
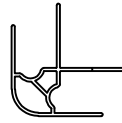
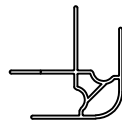
A64-C21 x 4

A64-C22 x 2

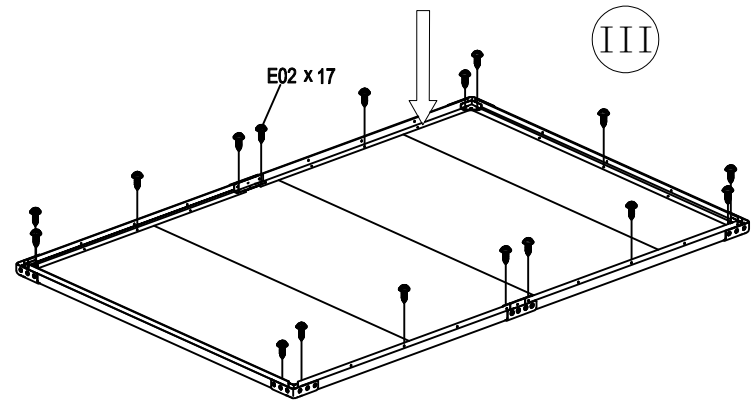
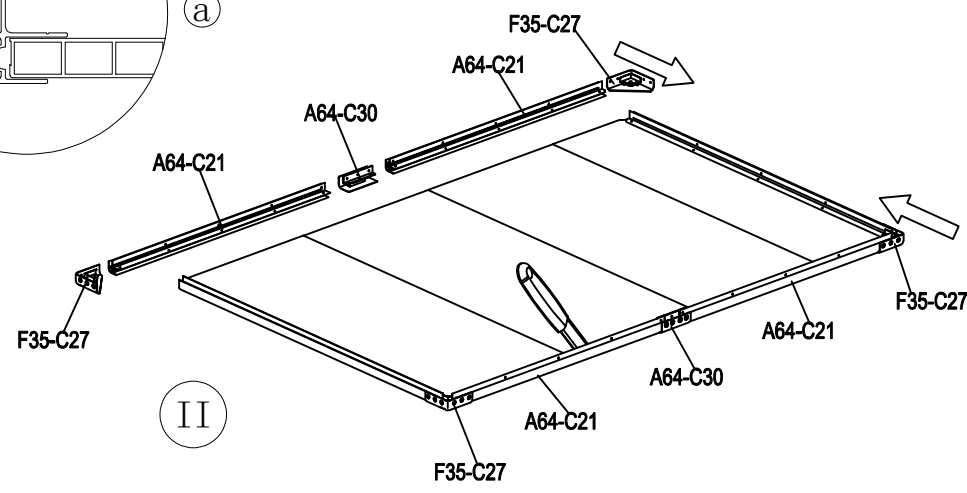
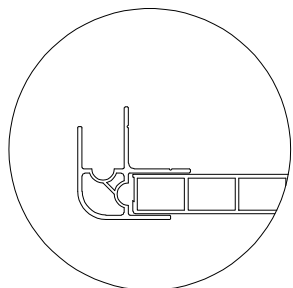
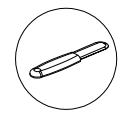
F35-C27 x 4

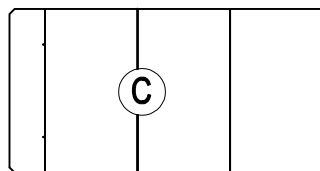
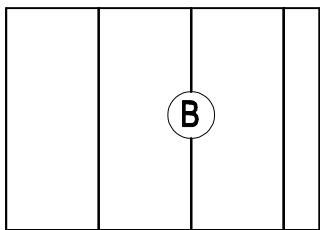
A64-C30 x 2

E02 x 17



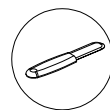
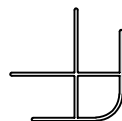
Please use rubber-knife to helping assembly.





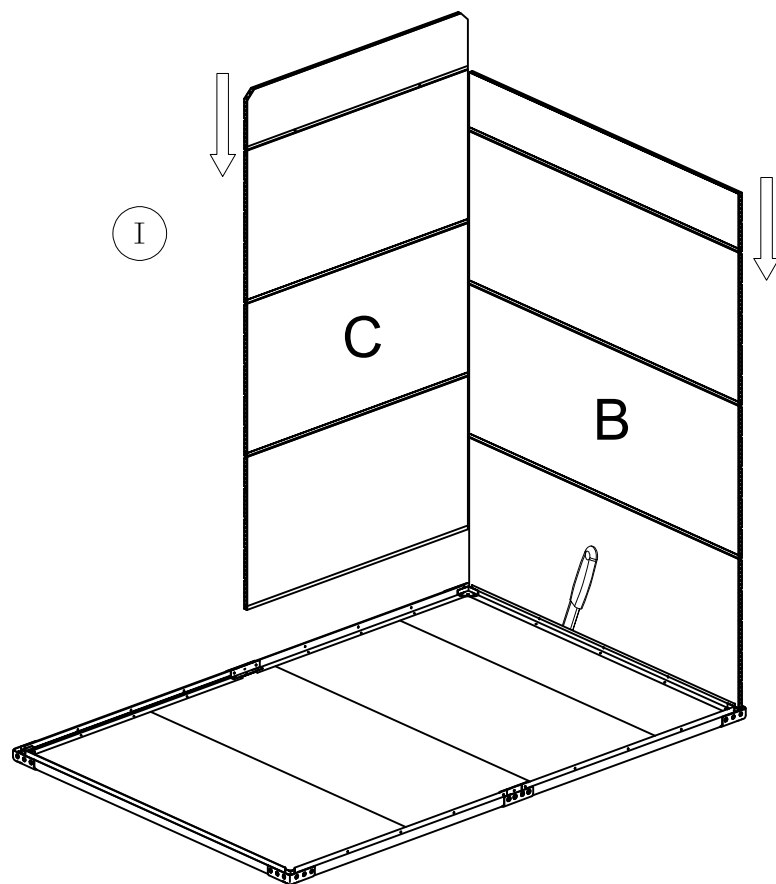
A64-C19 x 1

E02 x 10



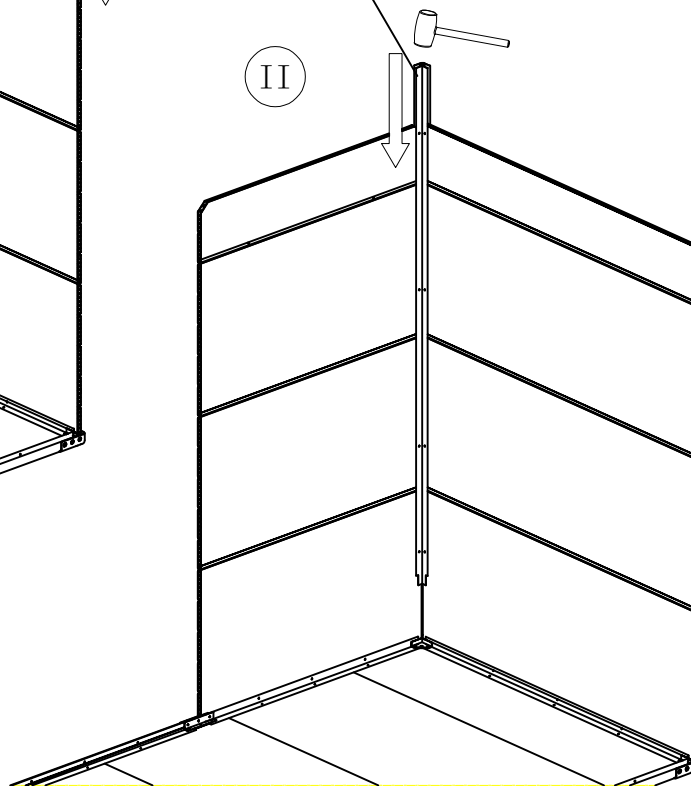
Please use rubber-knife to helping assembly.

I



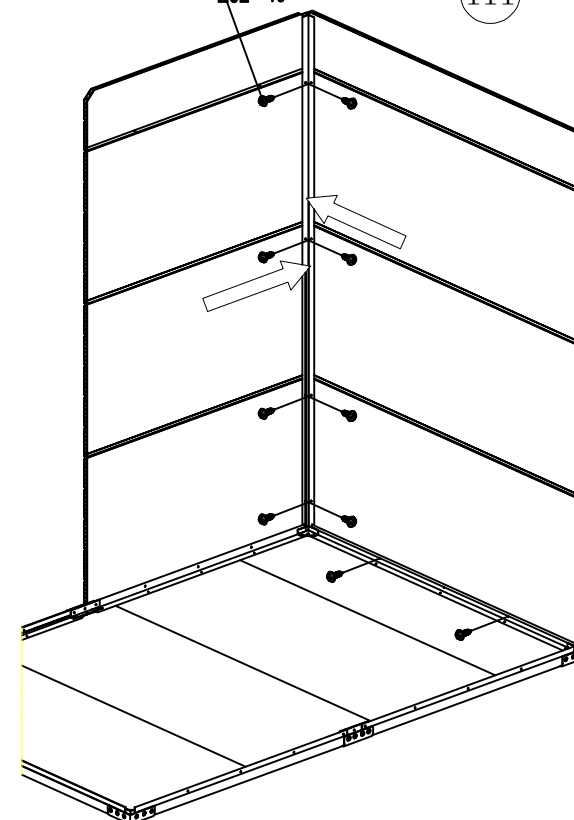
II

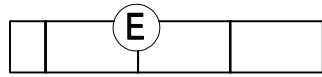
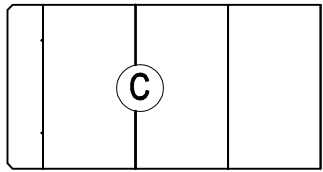
A64-C19



III

E02 x 10

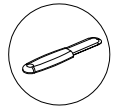
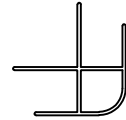
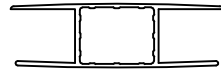




A86-V4-C05 x 1

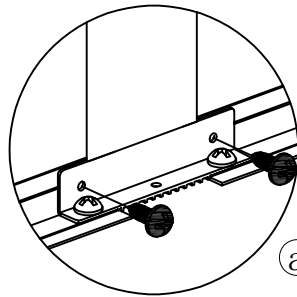
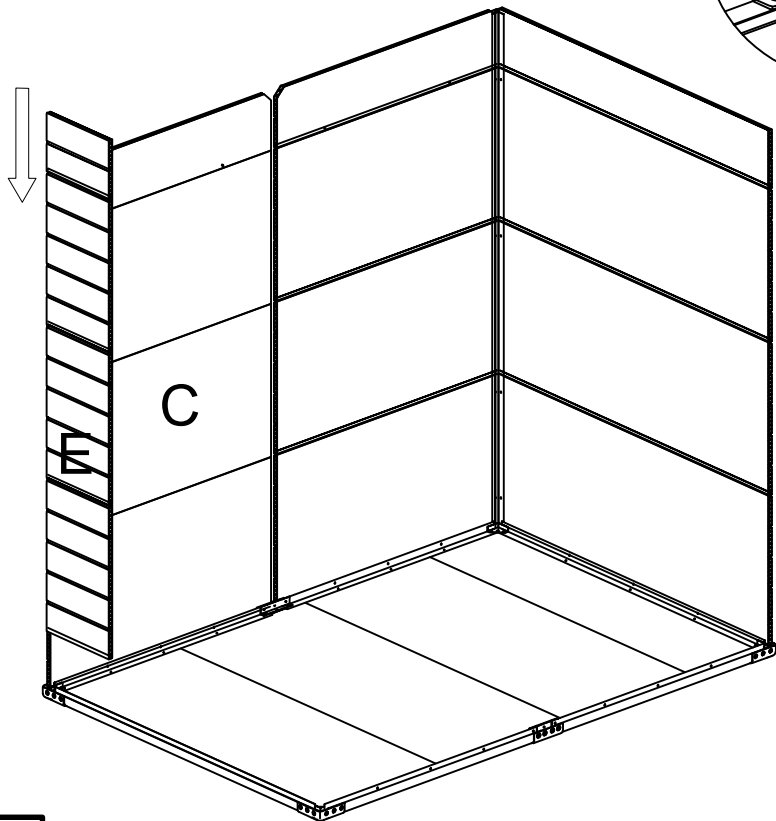
A64-C19 x 1

E02 x 12

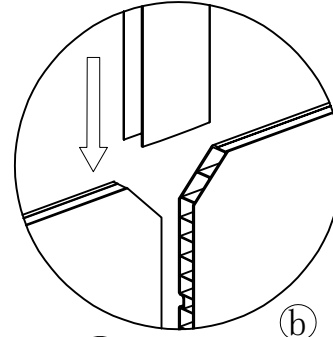


Please use rubber-knife to helping assembly.

I

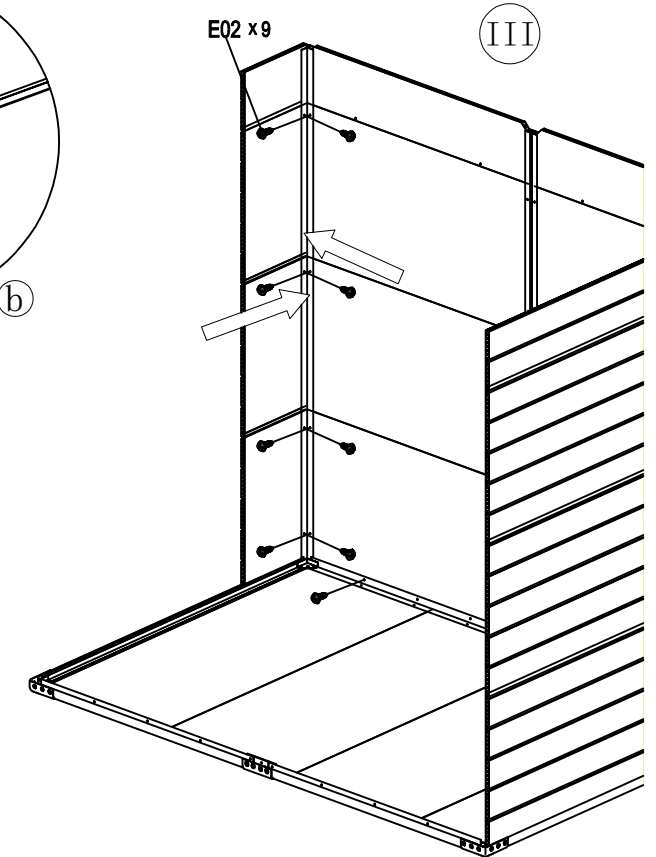
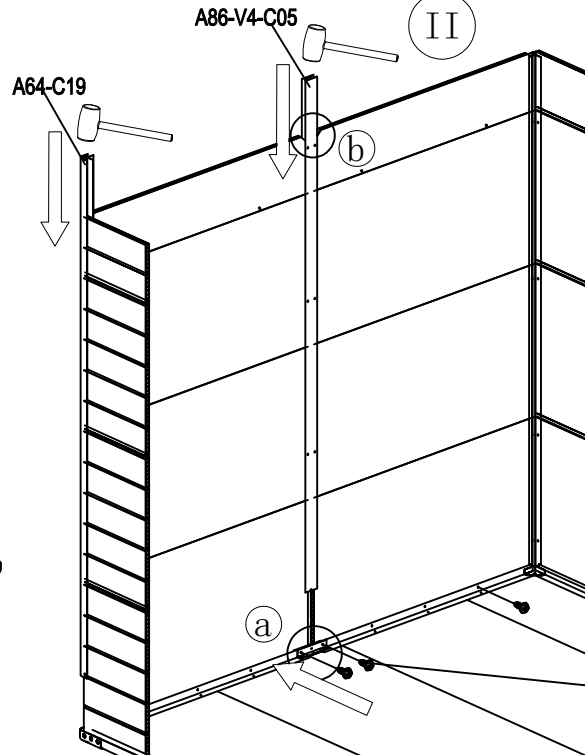


a



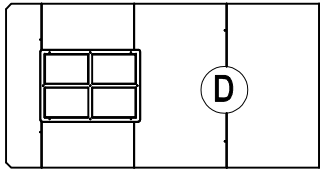
b

II



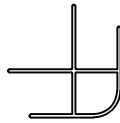
III

E02 x 3

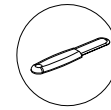
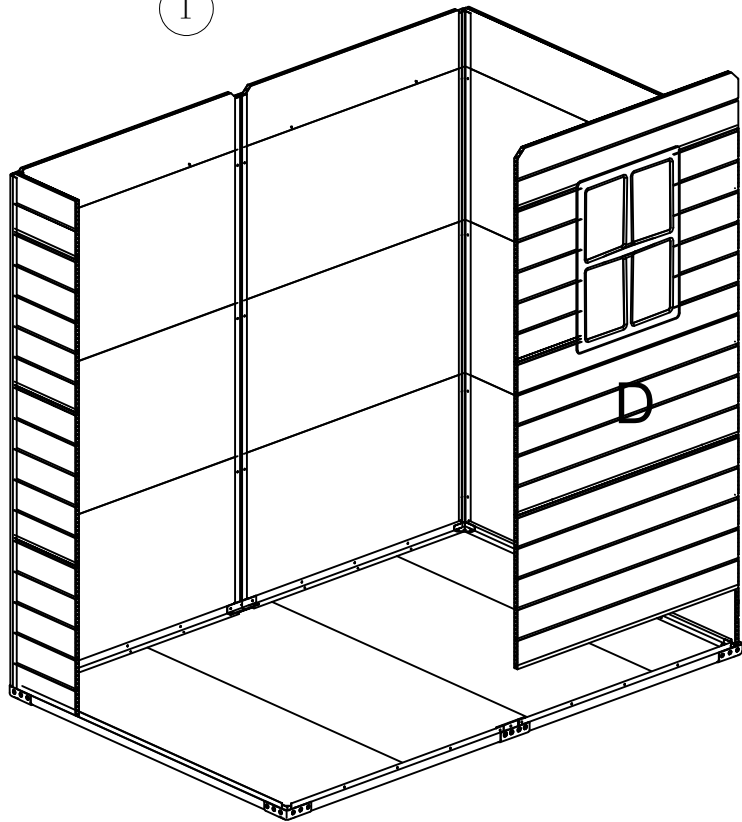


A64-C19 x 1

E02 x 9

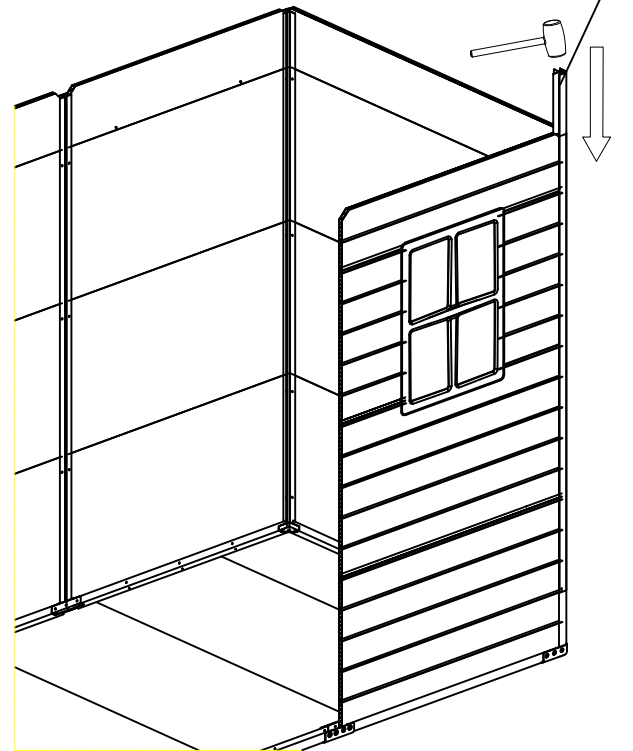


I

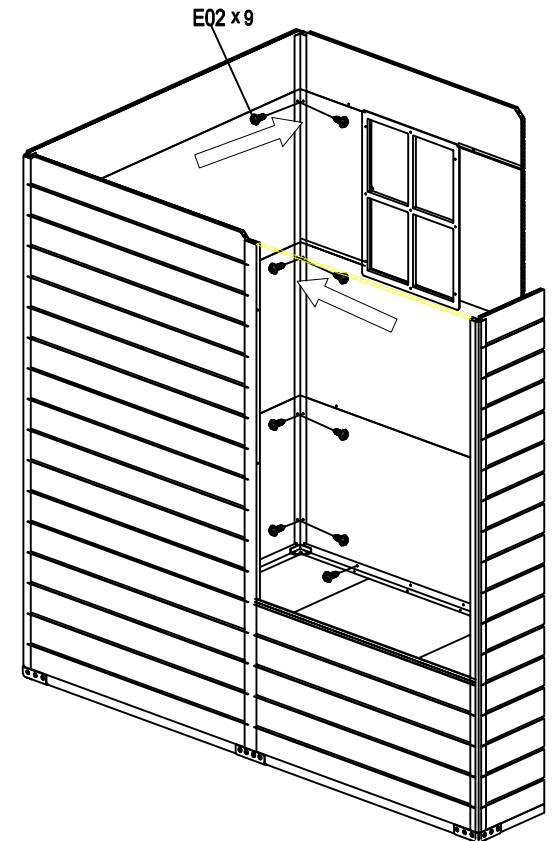


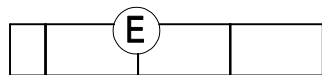
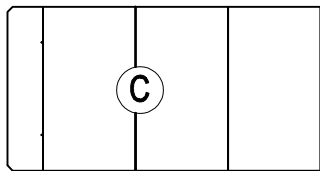
Please use rubber-knife to helping assembly.

II



III

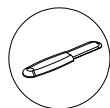
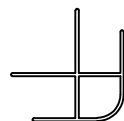
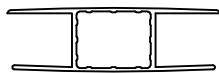




A86-V4-C05 x 1

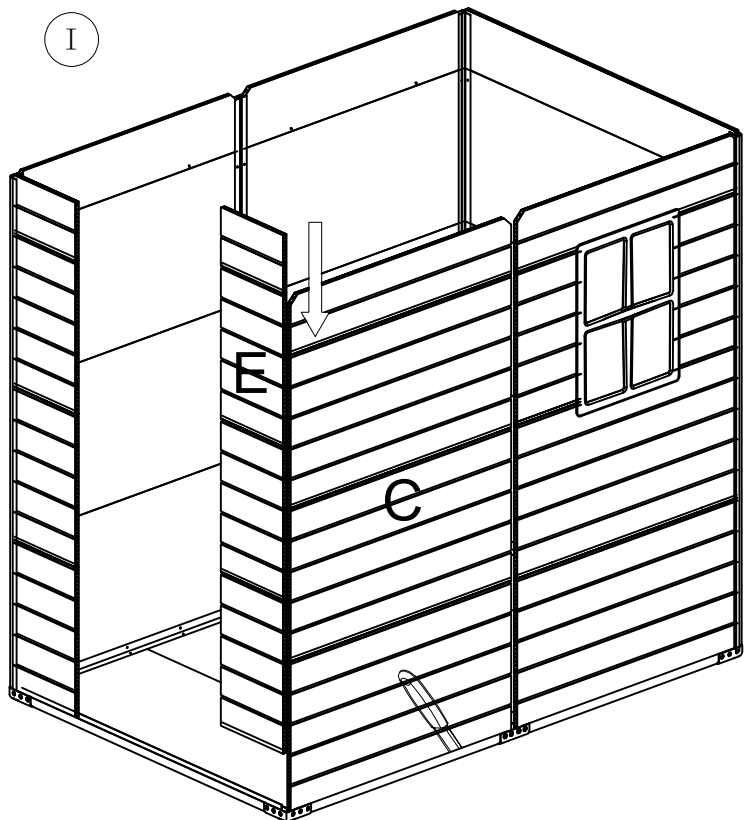
A64-C19 x 1

E02 x 11

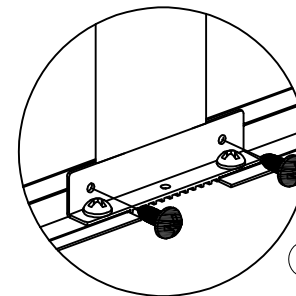
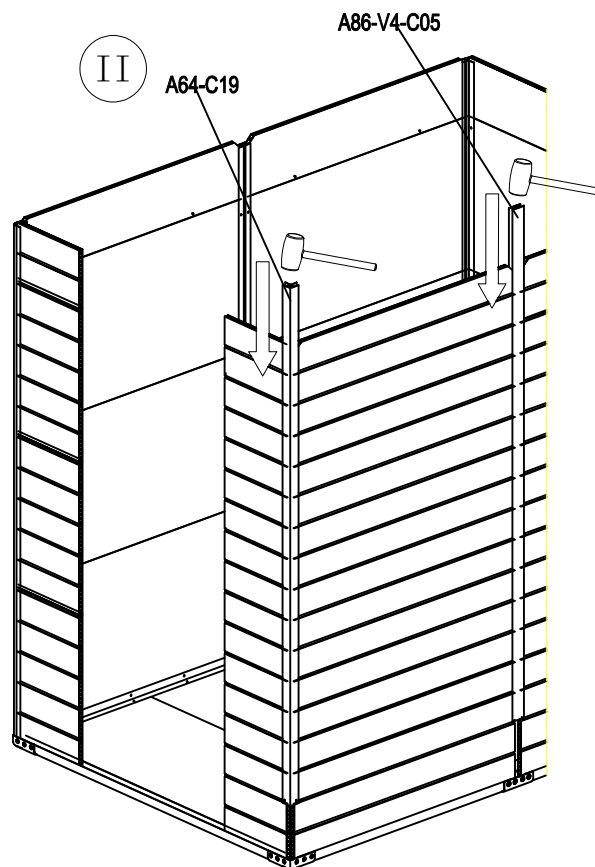


Please use rubber-knife to helping assembly.

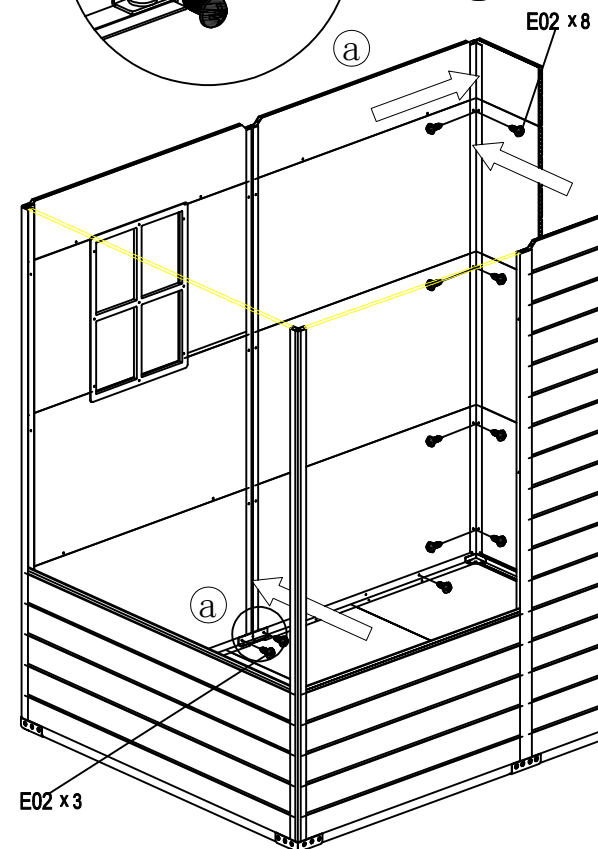
I



II

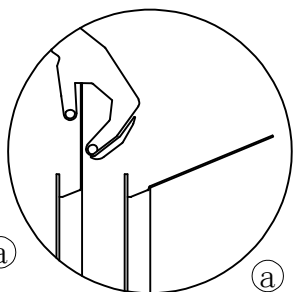
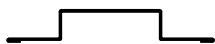


III



A86-V4-A07 x 2

E02 x 28

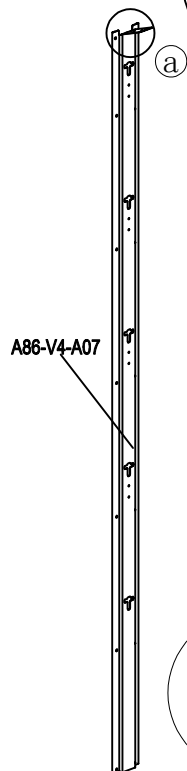


Bend A86-V4-A07 to the appropriate Angle by hand

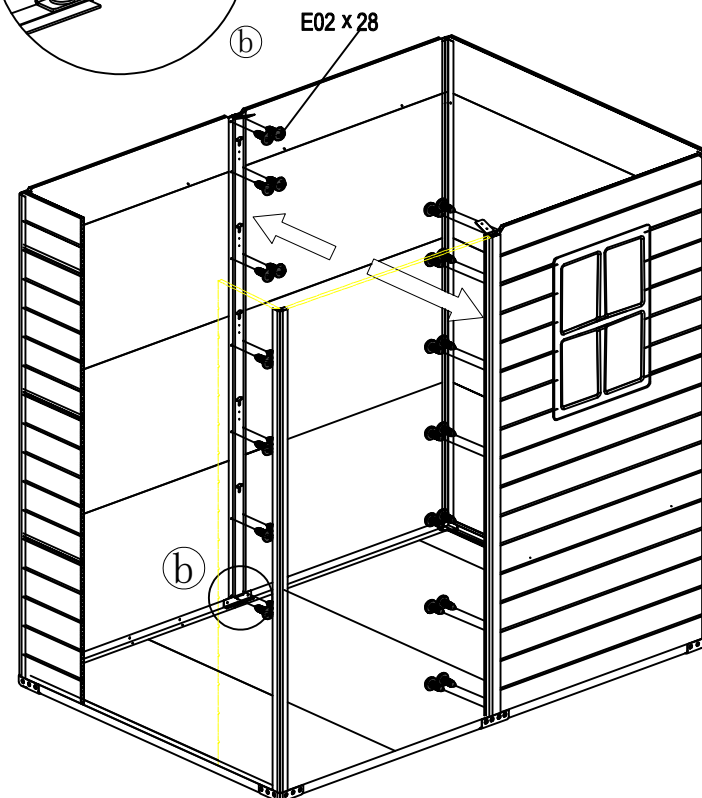
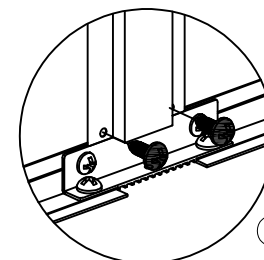
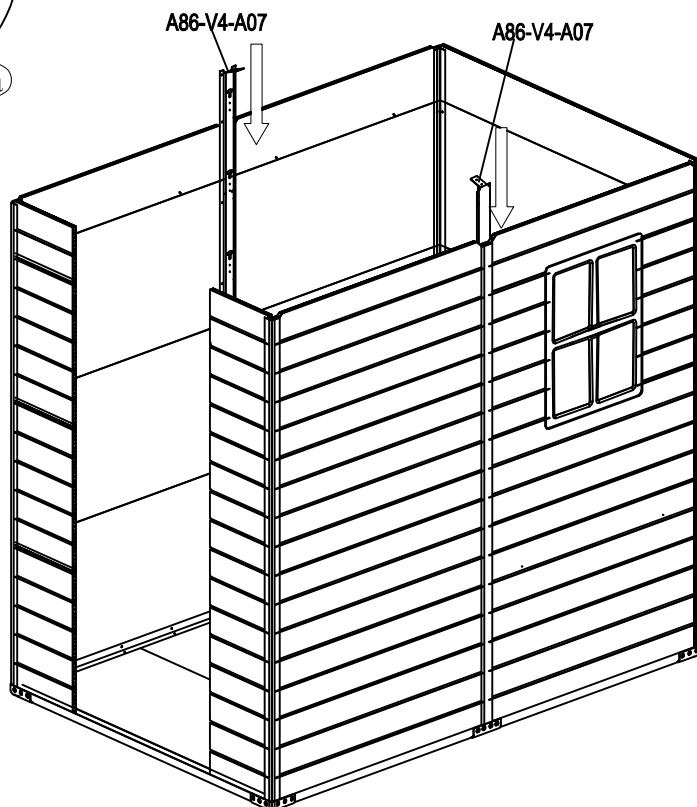
I

II

III

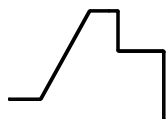


x2

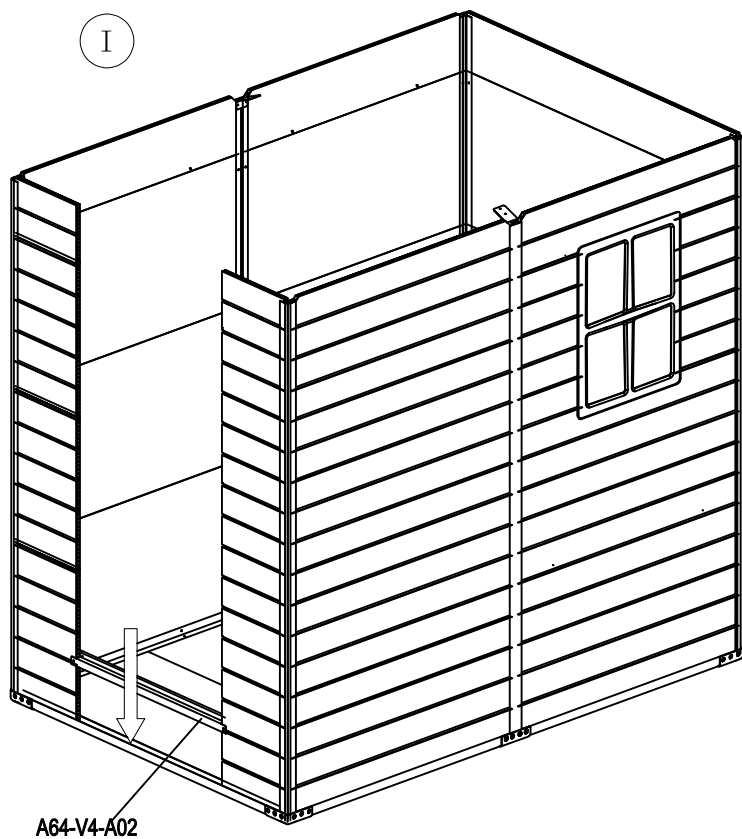


A64-V4-A02 x 1

E02 x 5

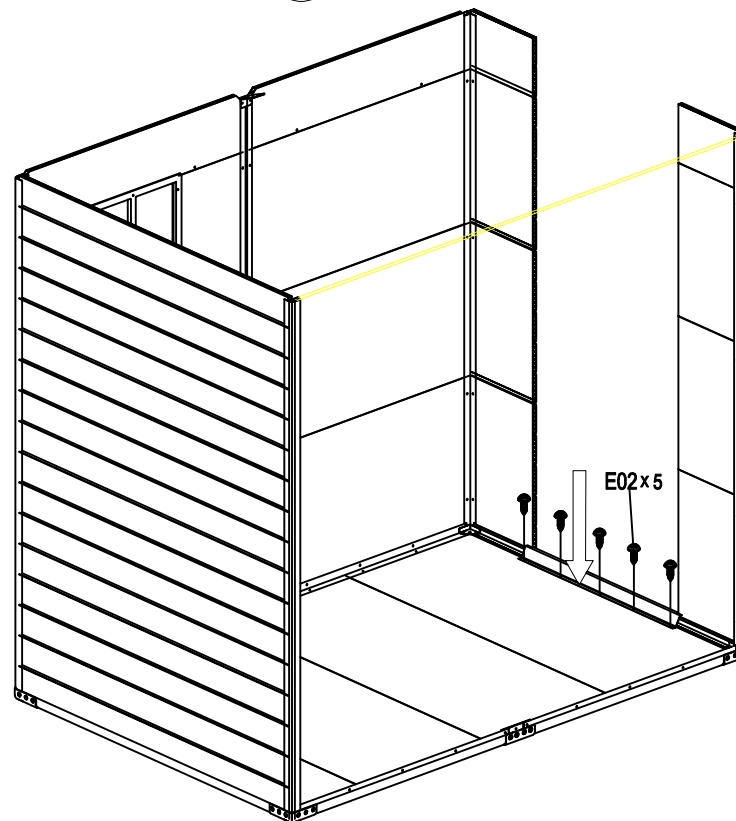


I



A64-V4-A02

II

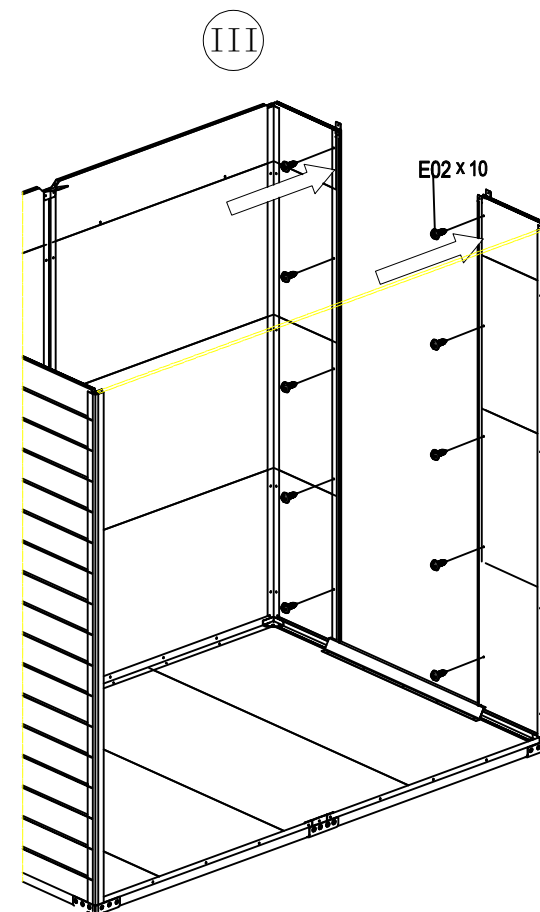
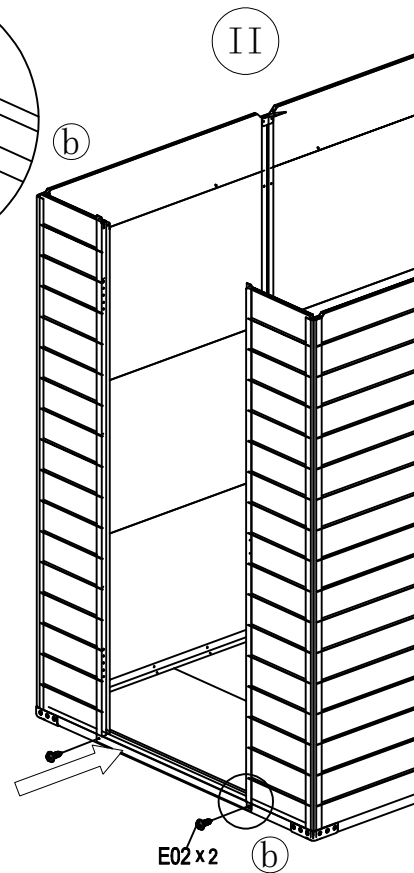
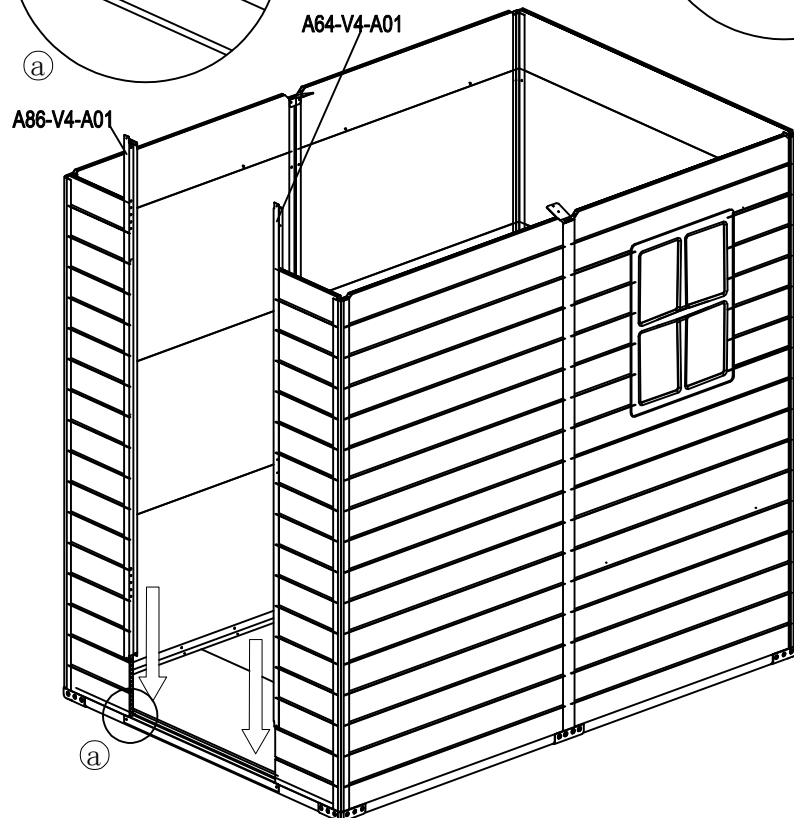
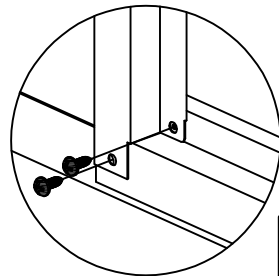
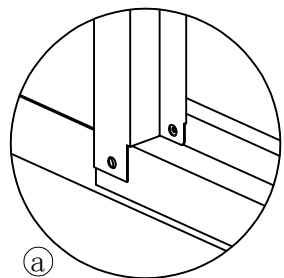
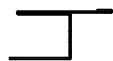
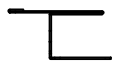


E02 x 5

A86-V4-A01 x 1

A64-V4-A01 x 1

E02 x 12



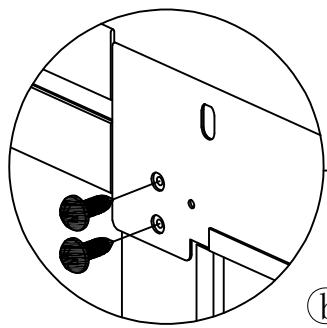
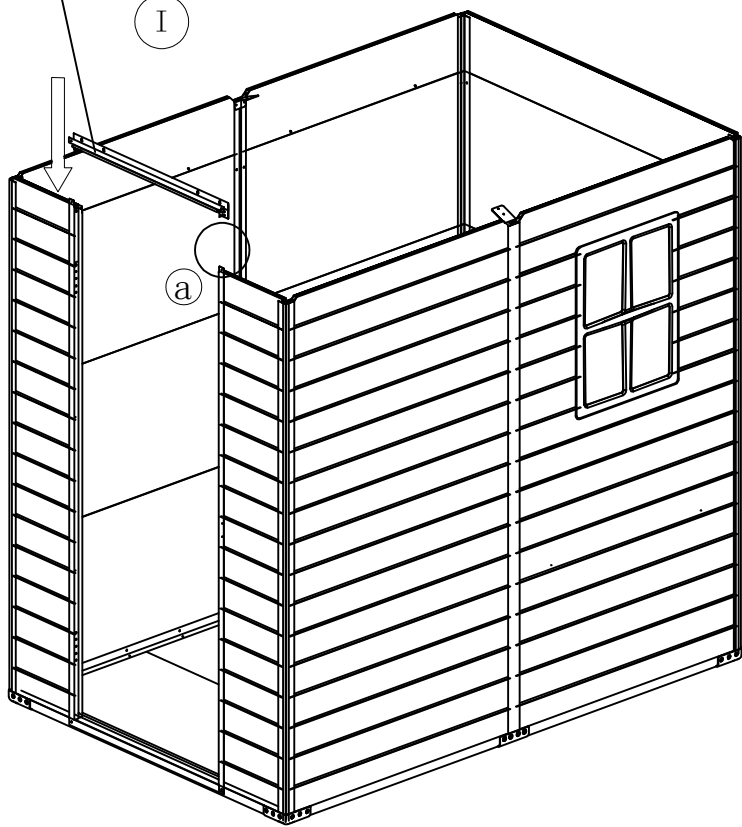
A64-V4-A07 x 1

E02 x 4

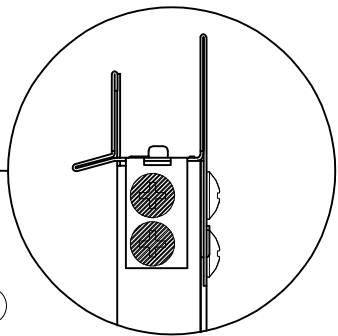


A64-V4-A07

I

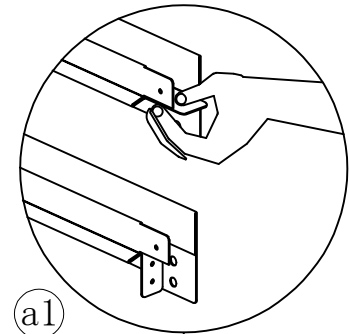
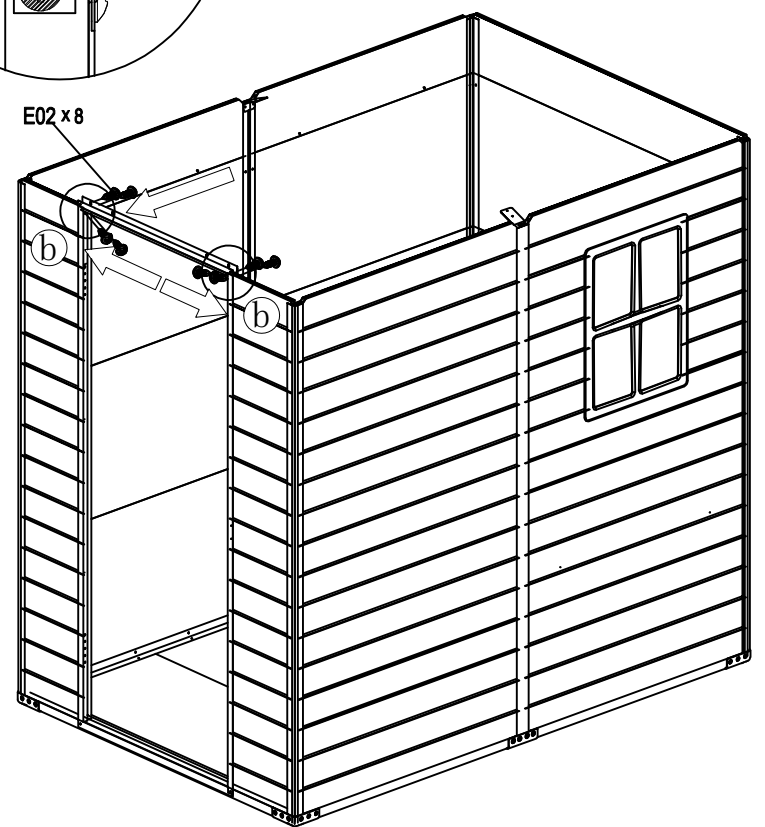


b

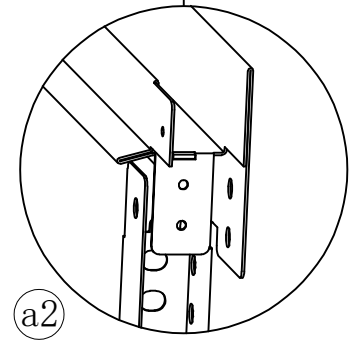


II

E02 x 8



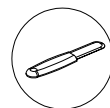
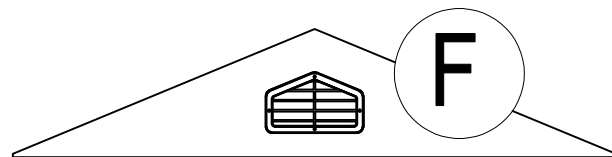
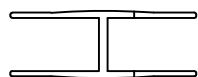
a1



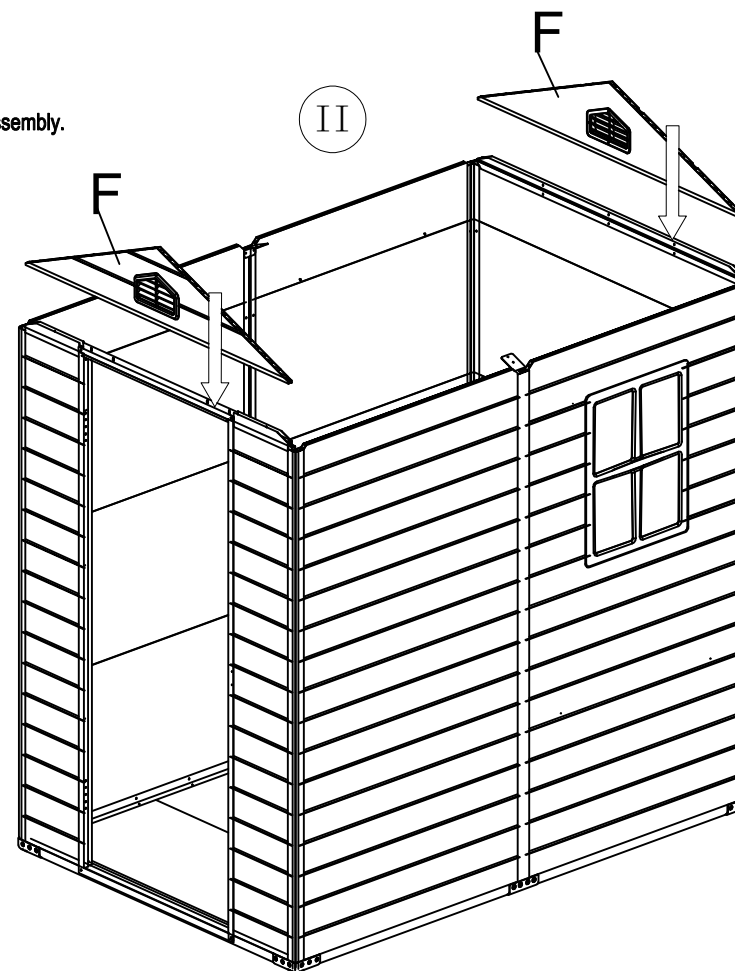
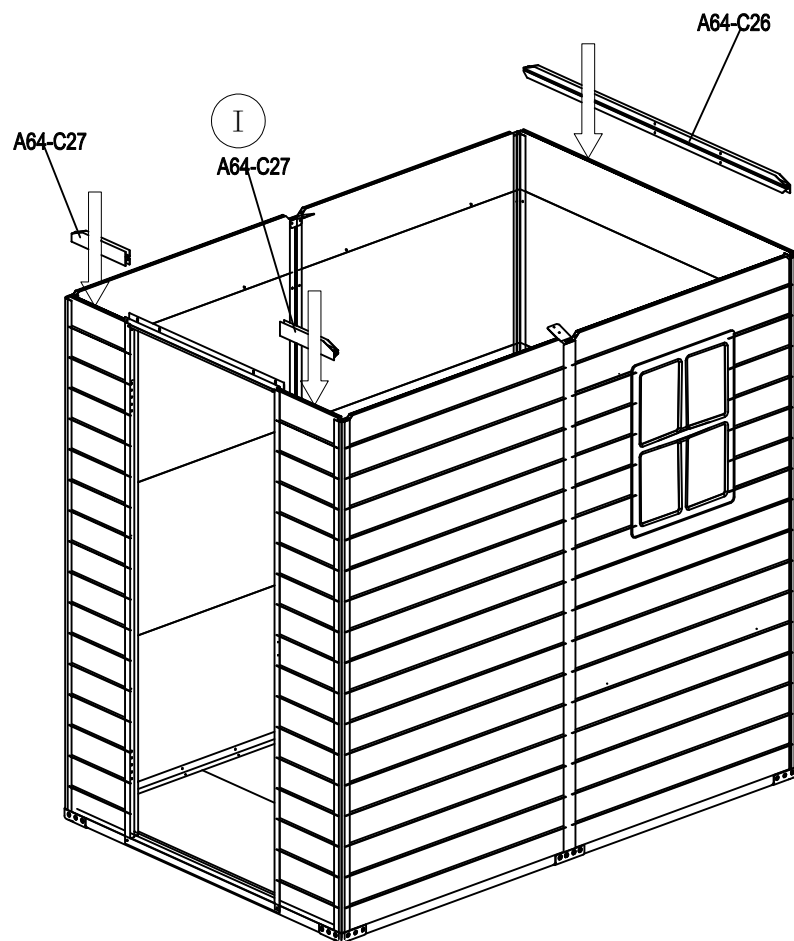
a2

A64-C26 x 1

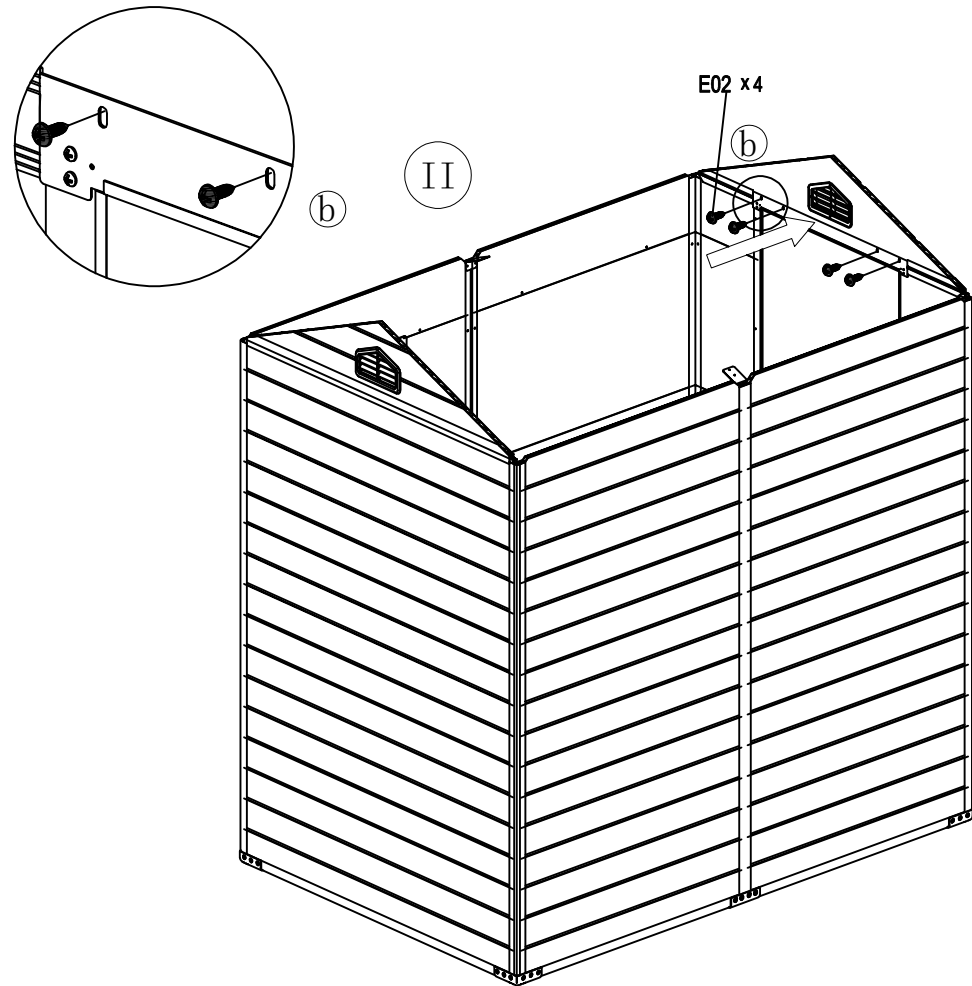
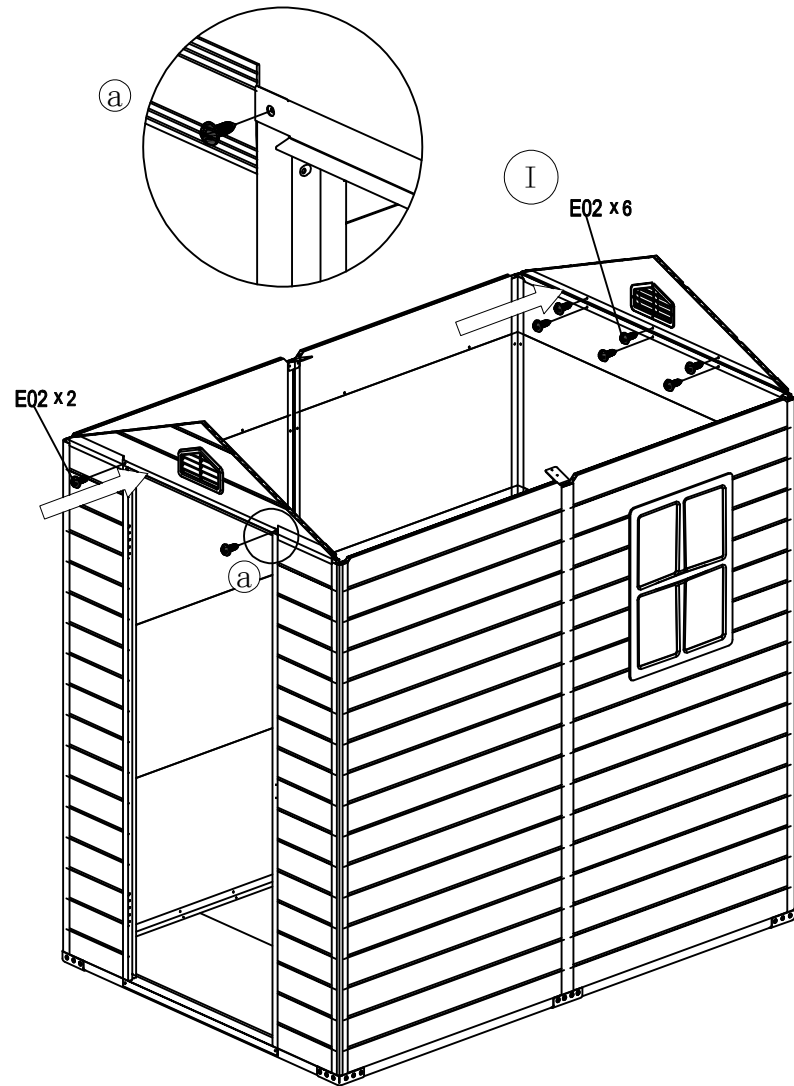
A64-C27 x 2



Please use rubber-knife to helping assembly.



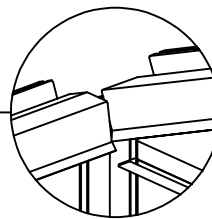
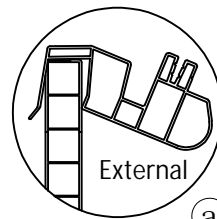
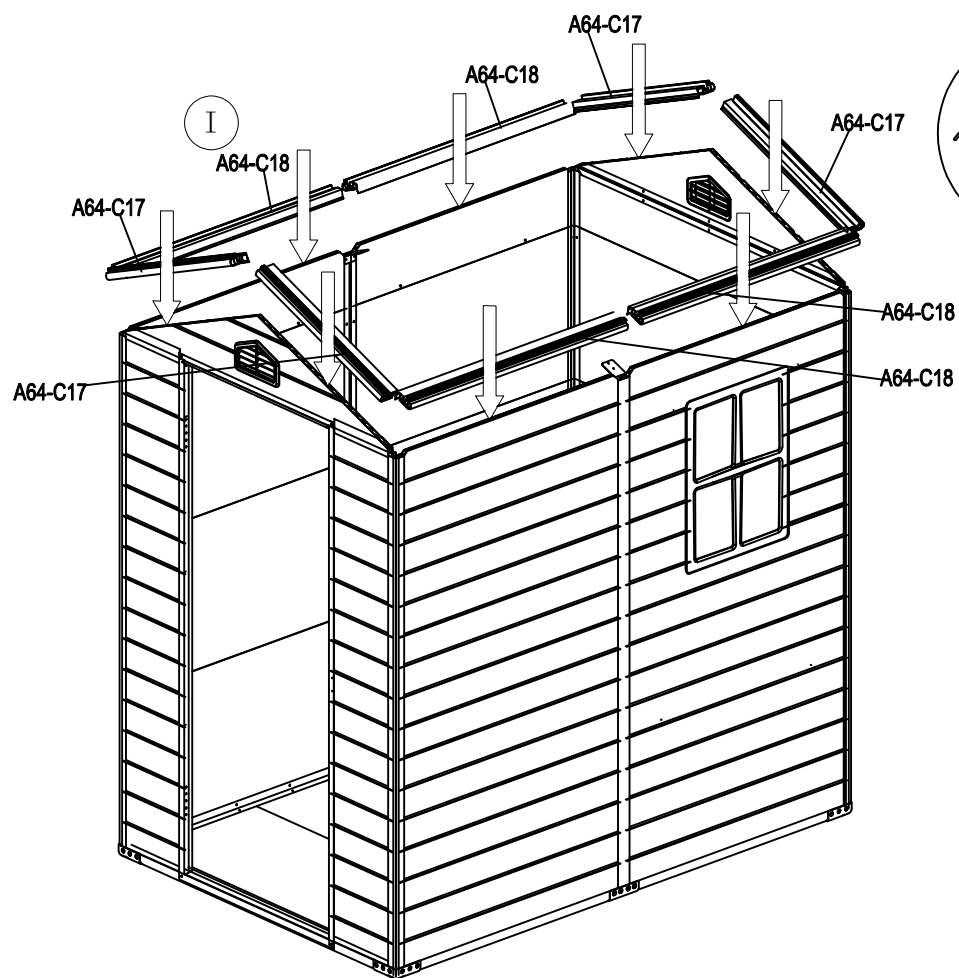
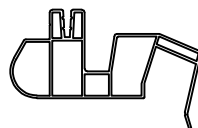
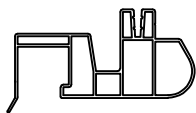
E02 x 12



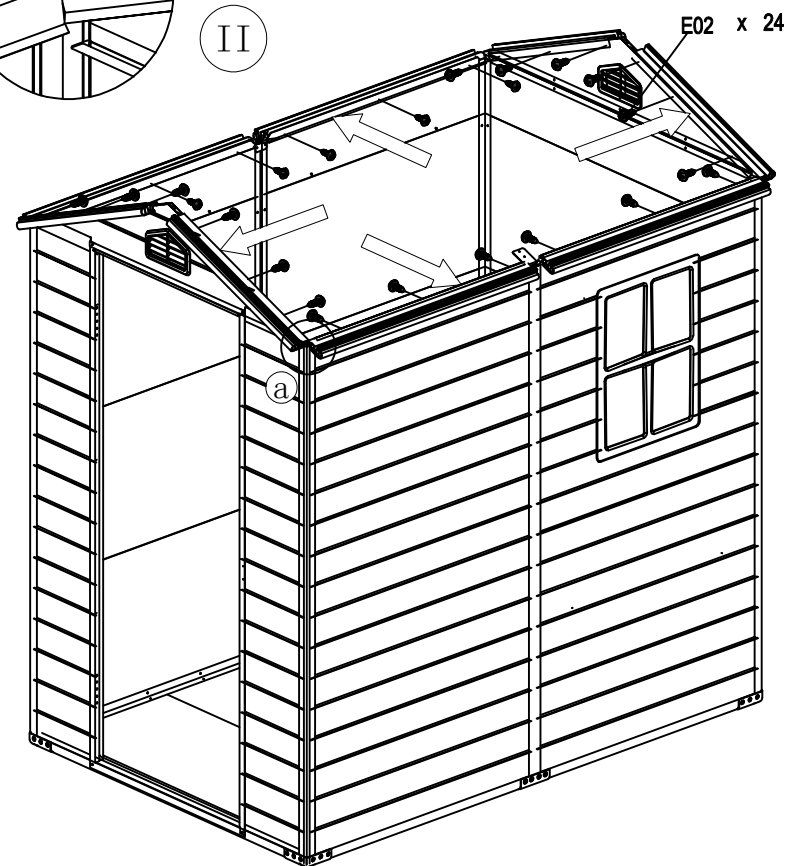
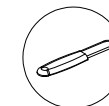
A64-C17 x 4

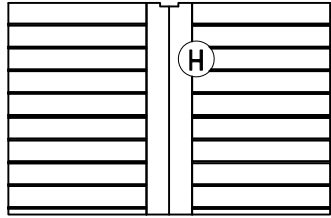
A64-C18 x 4

E02 x 24



Please use rubber-knife to helping assembly.





A64-V4-A04 x 2

A86-V4-A06 x 1

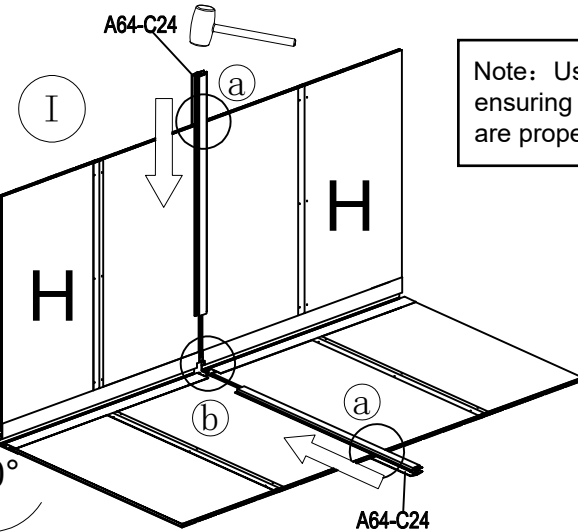
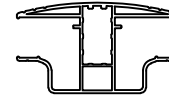
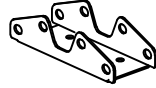
A64-V4-A05 x 2

A64-C24 x 2

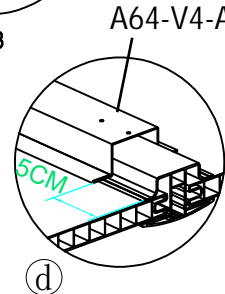
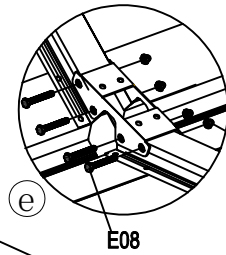
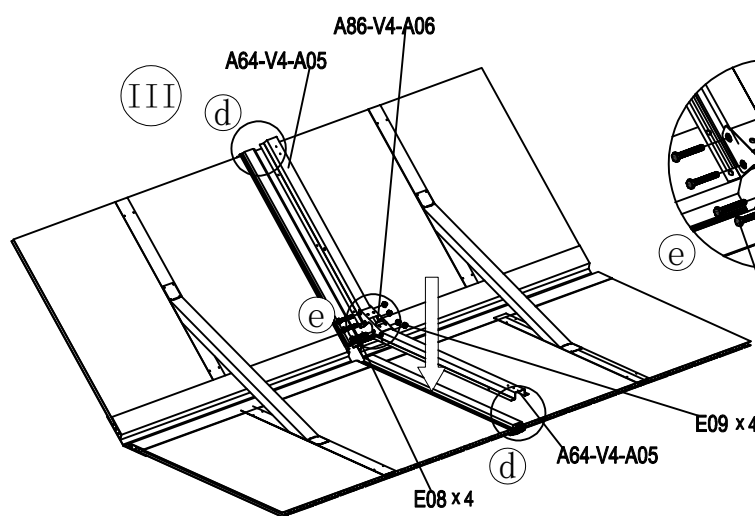
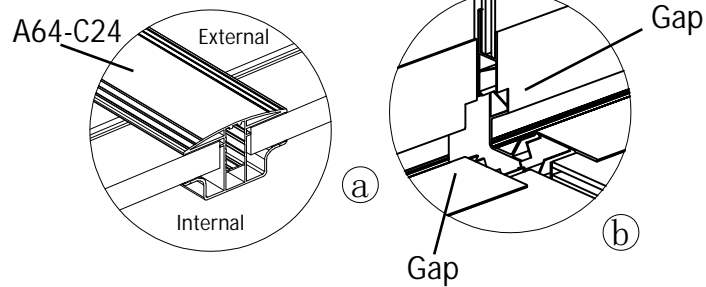
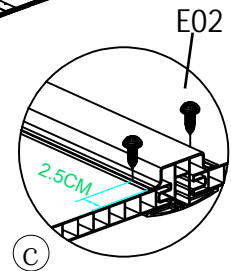
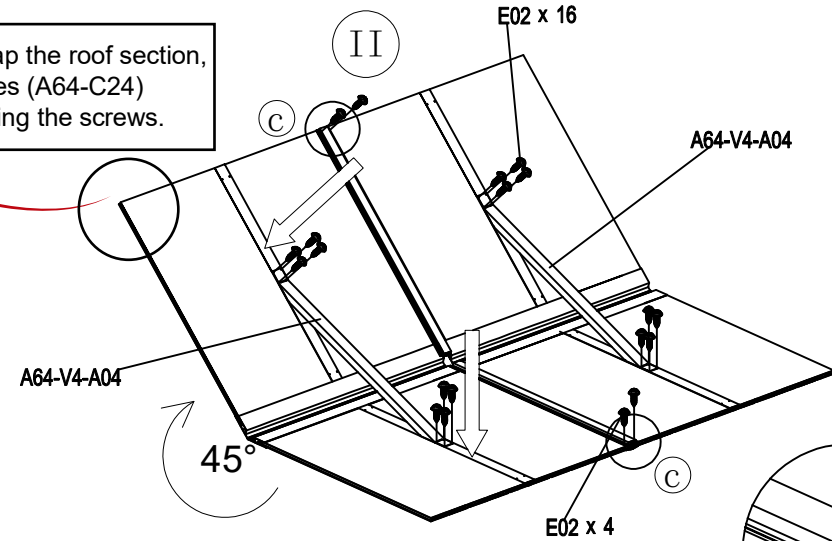
E08 x 4

E09 x 4

E02 x 20



Note: Use a rubber hammer to tap the roof section, ensuring all roof panels and frames (A64-C24) are properly aligned before securing the screws.



A64-C34 x 1

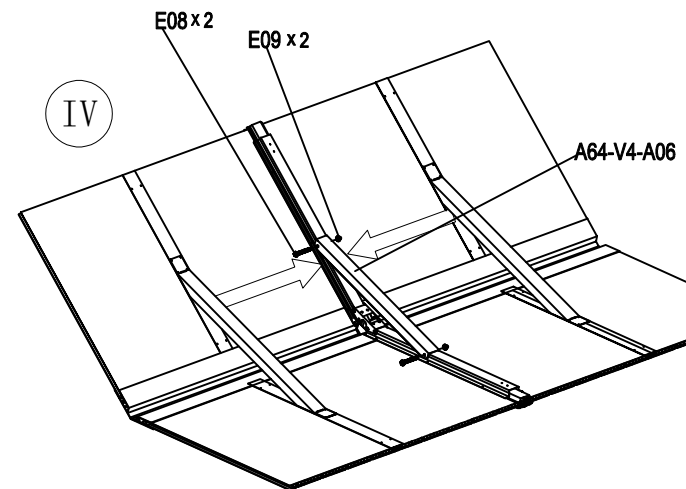
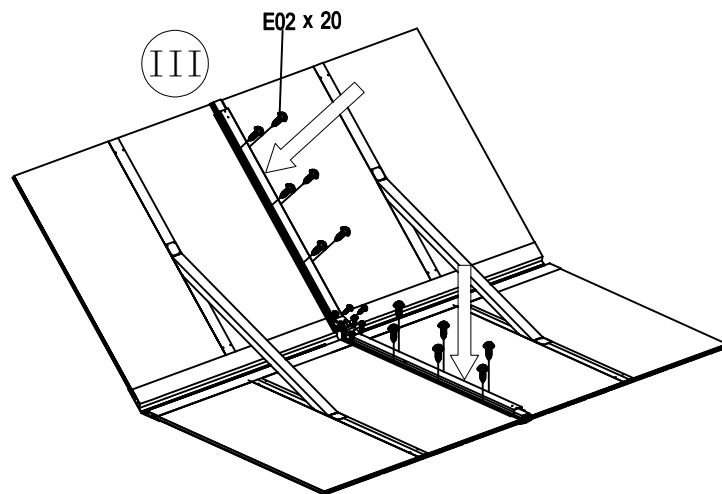
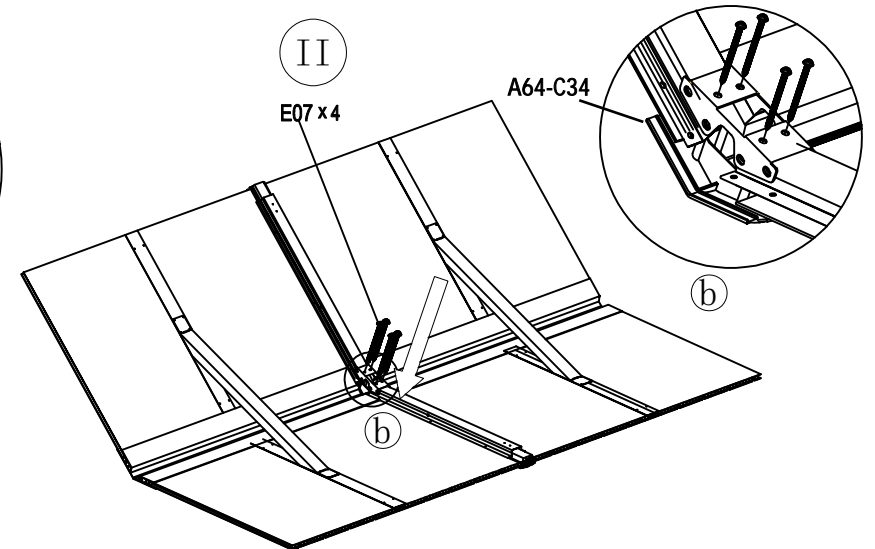
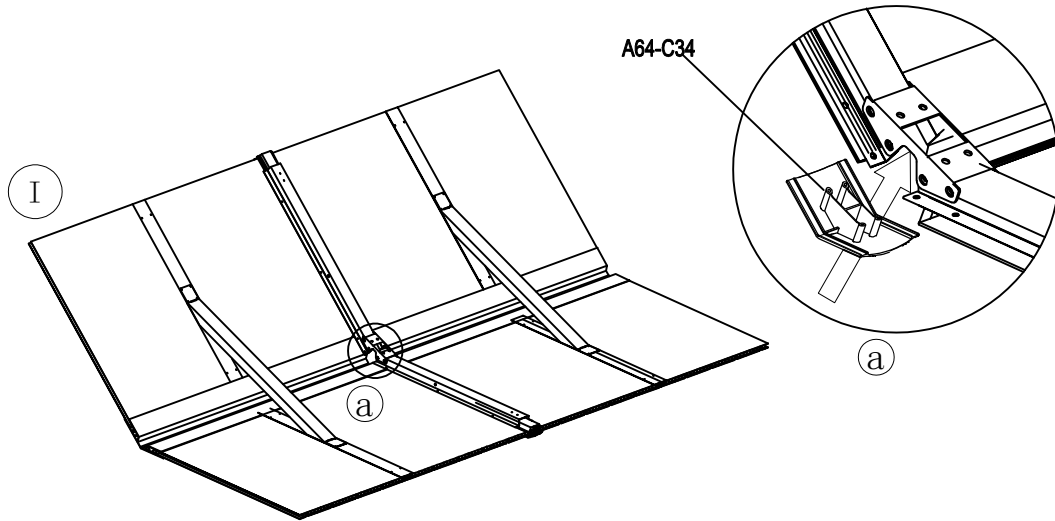
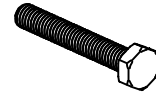
A64-V4-A06 x 1

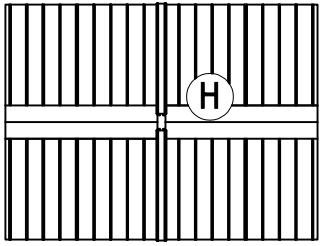
E07 x 4

E08 x 2

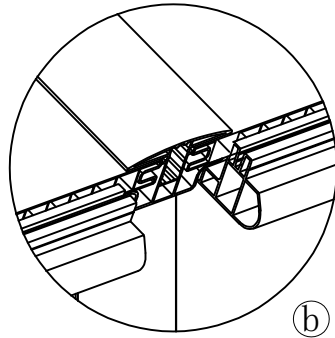
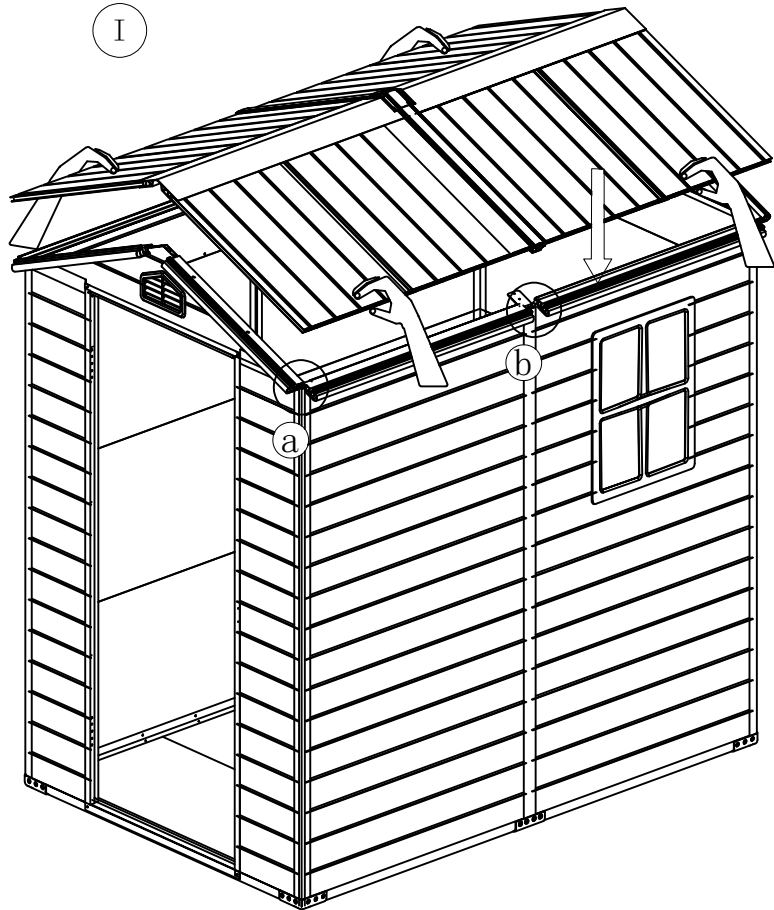
E09 x 2

E02 x 20

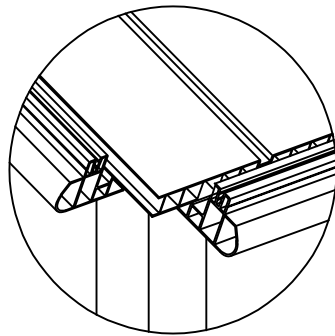




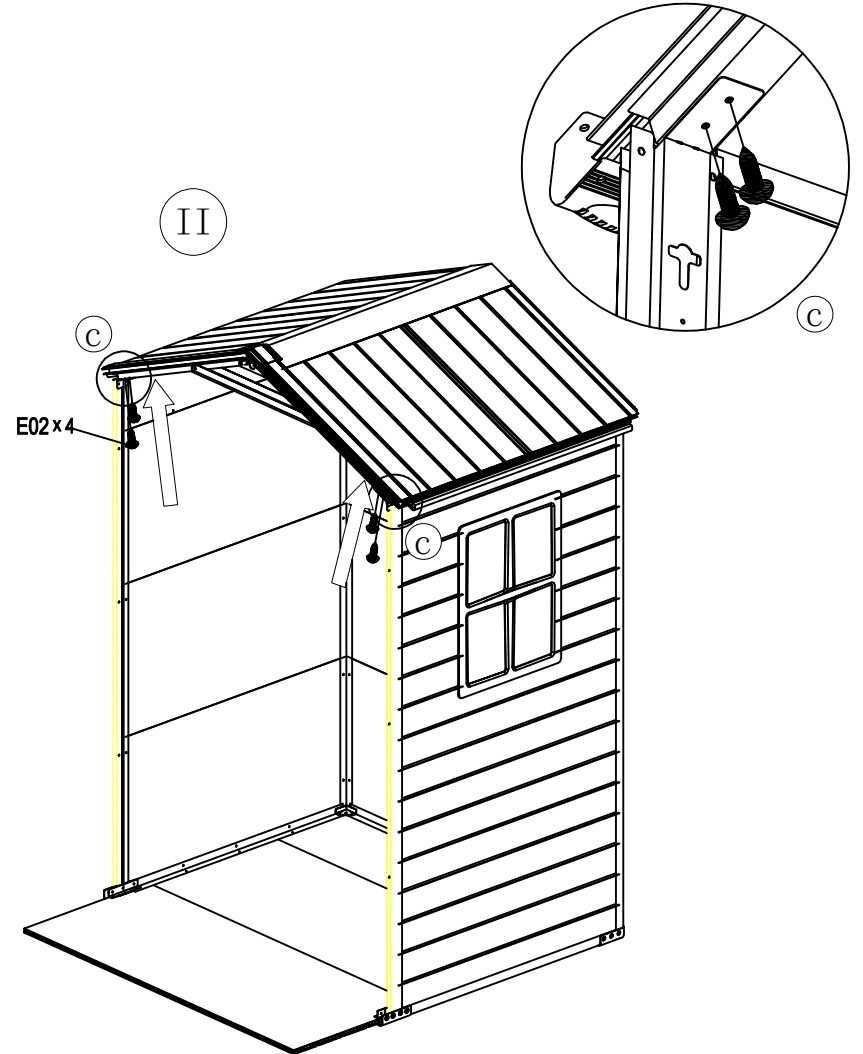
E02 x 4



b



a



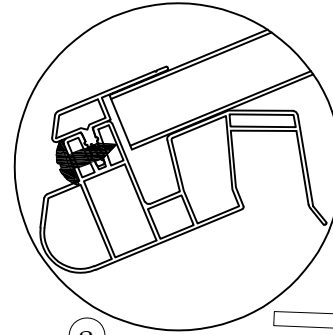
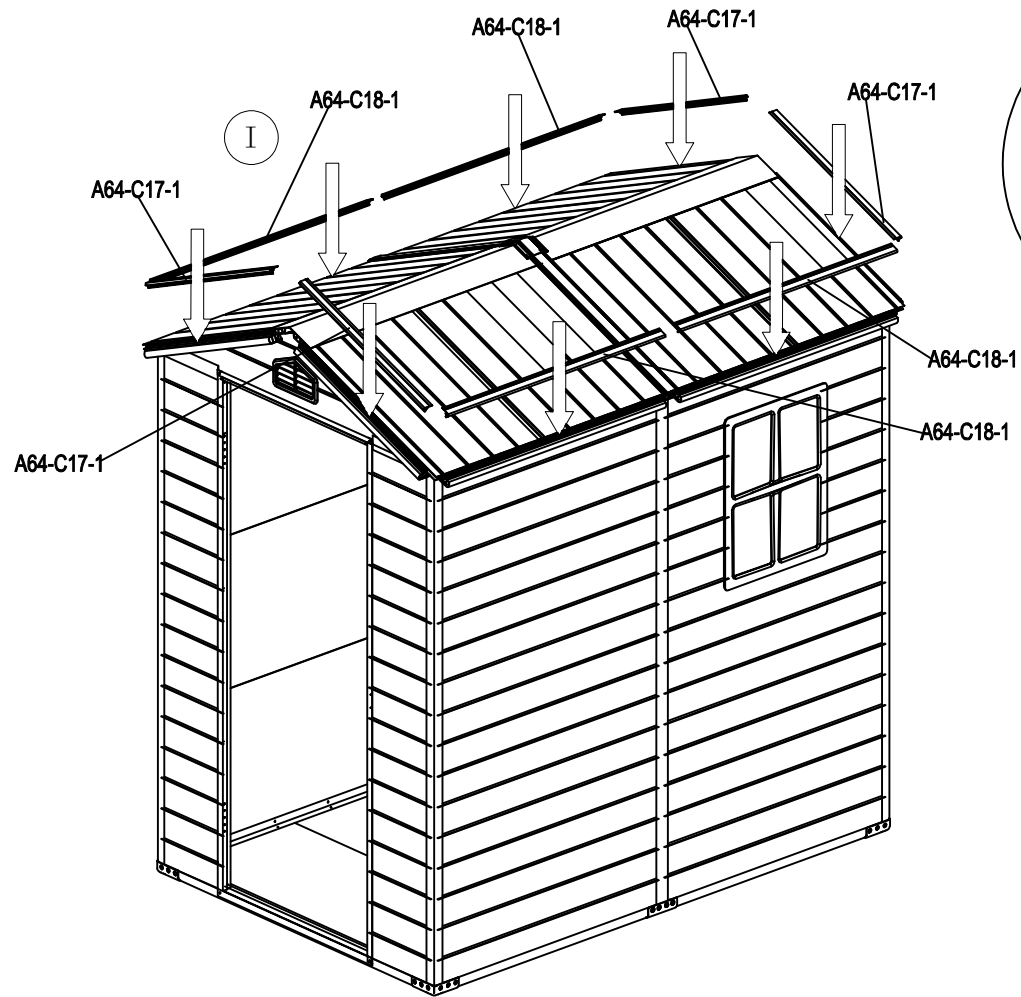
E02x4

c

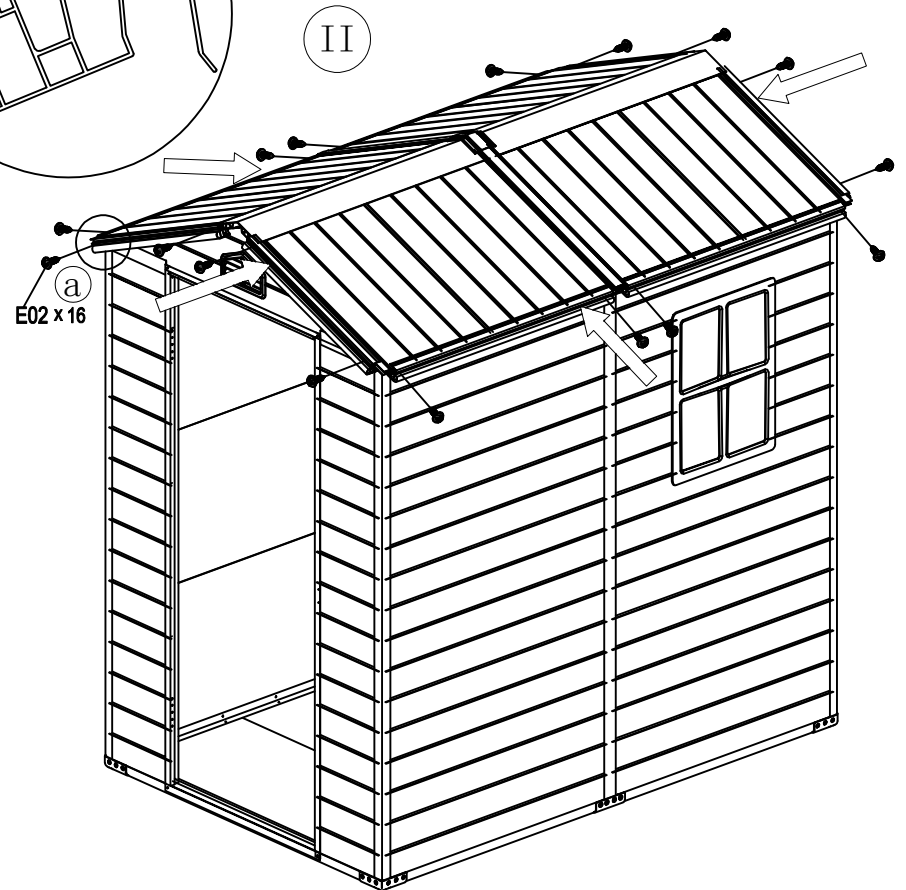
A64-C17-1 x 4

A64-C18-1 x 4

E02 x 16



a

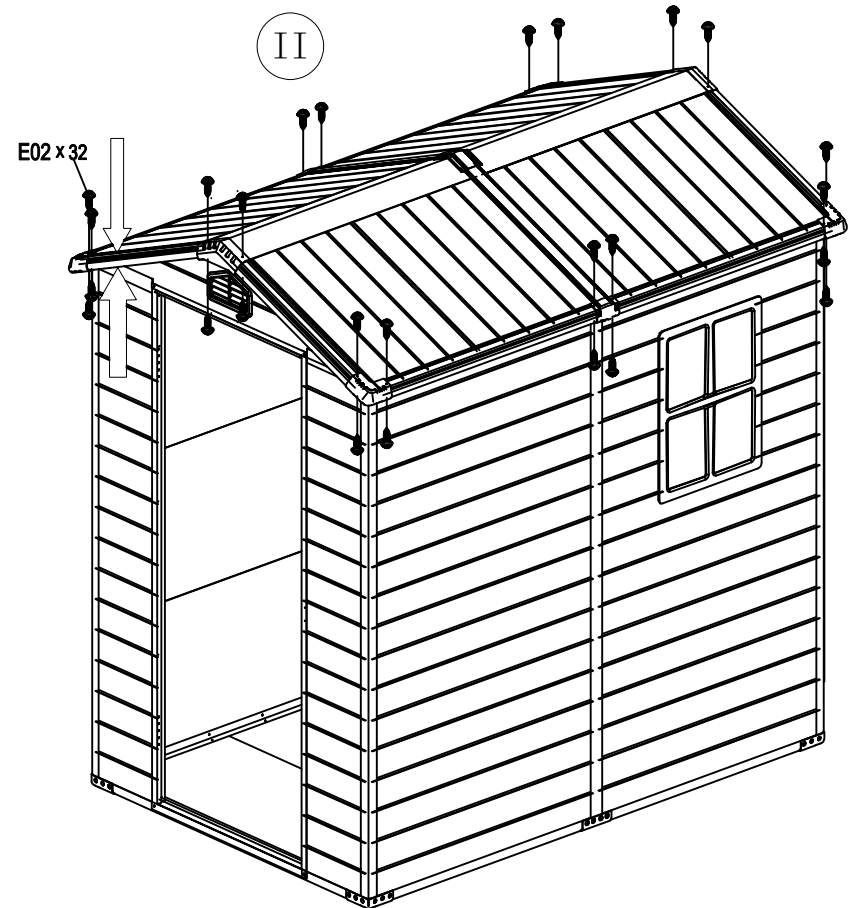
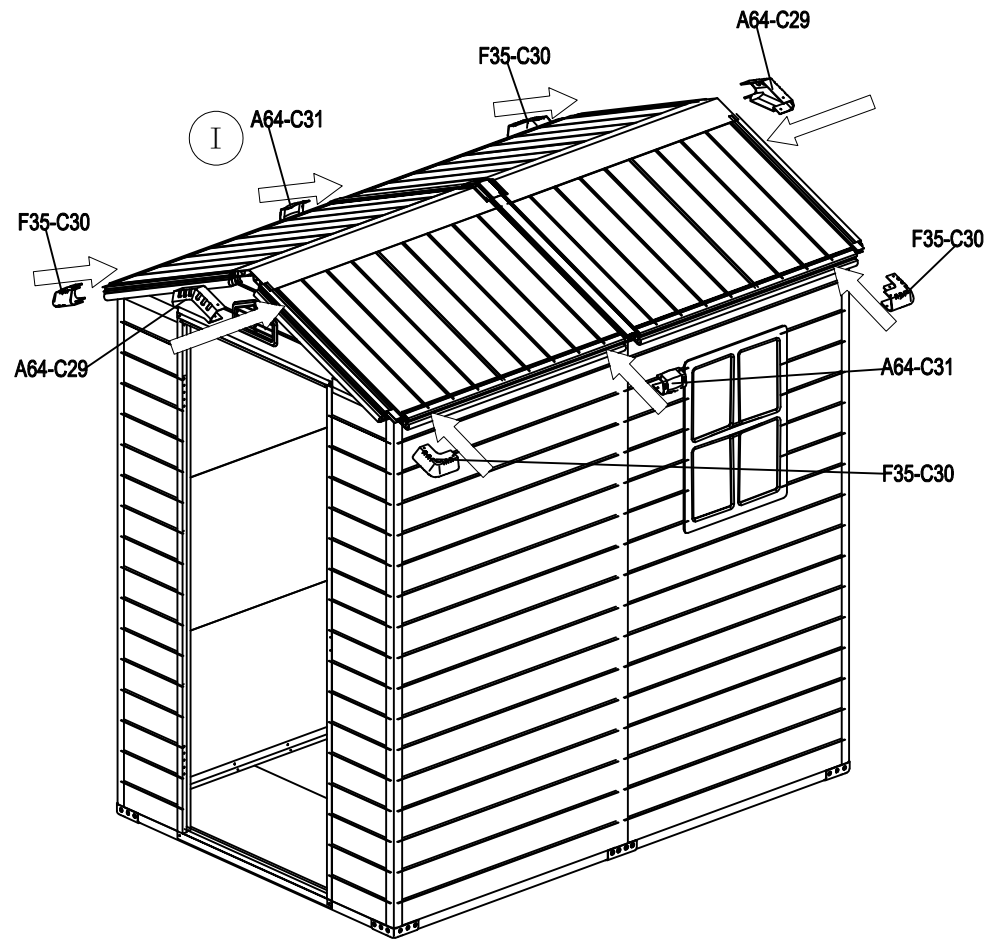
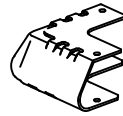
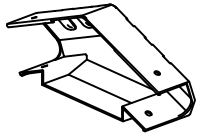


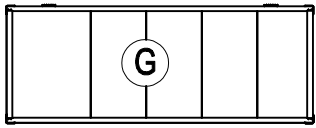
A64-C29 x 2

A64-C31 x 2

F35-C30 x 4

E02 x 32

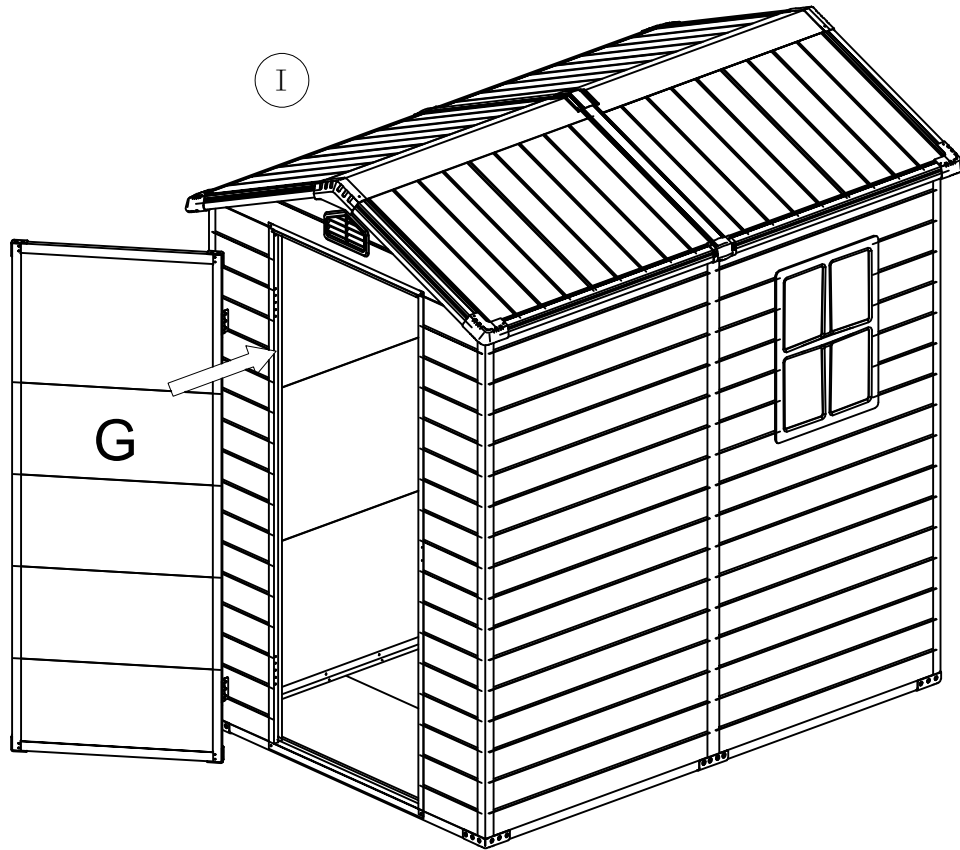




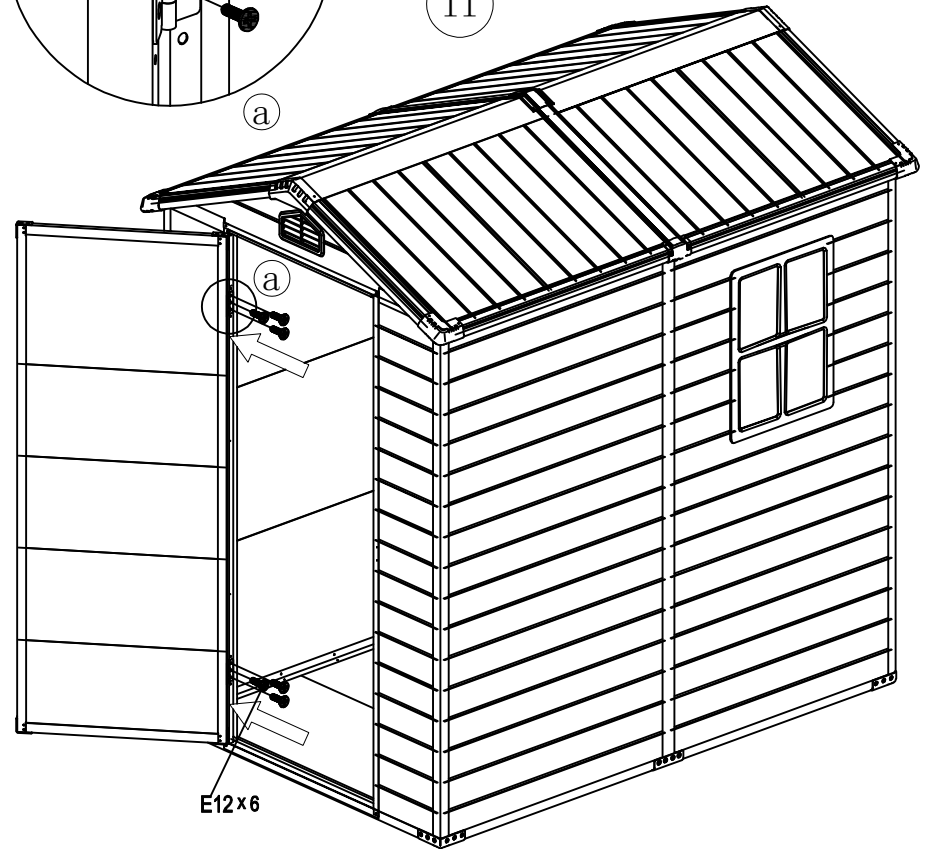
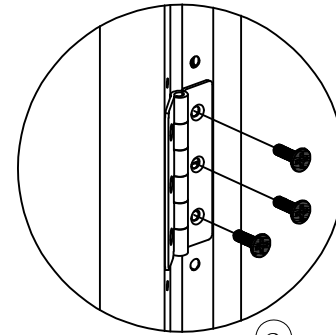
E12 x 6



I



II

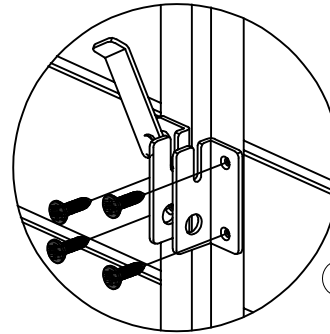
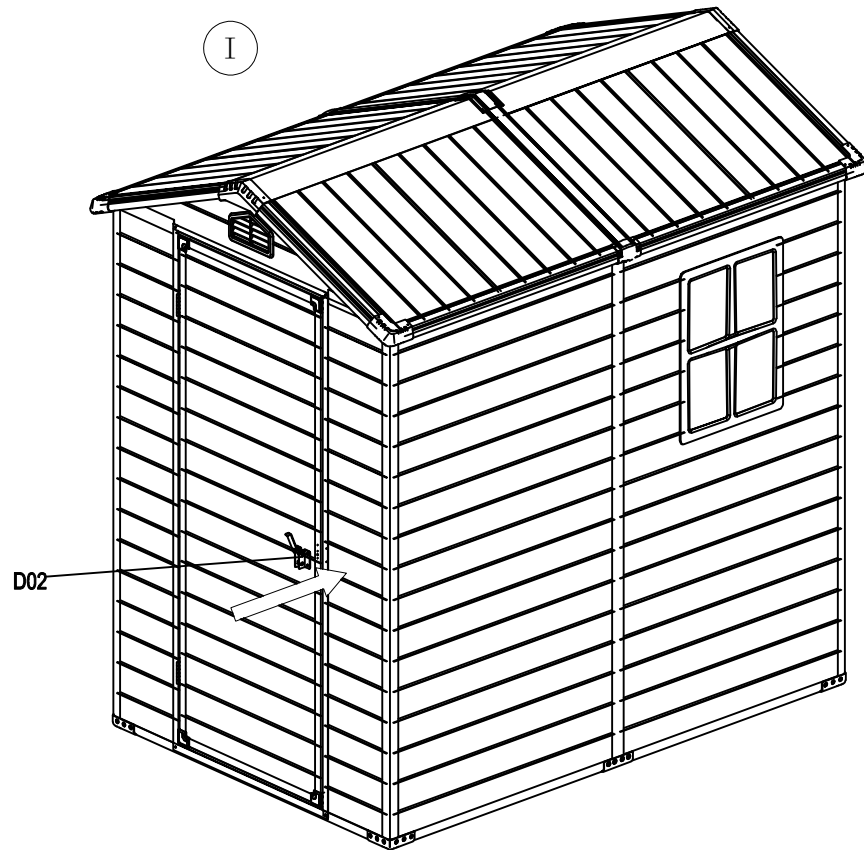


D02 x 1

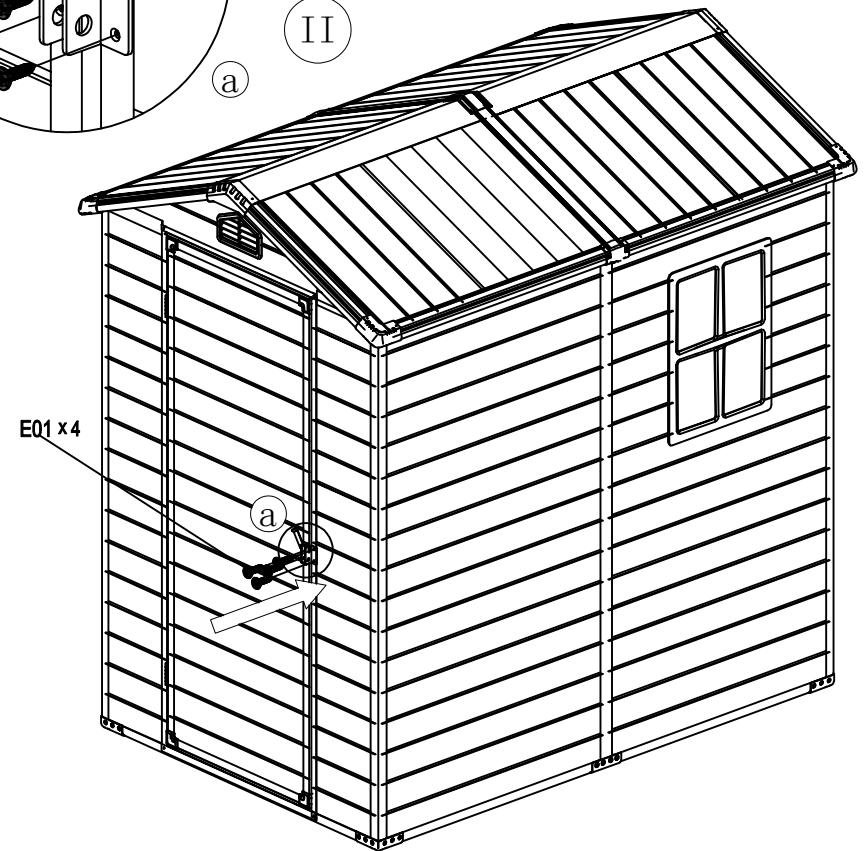
E01 x 4



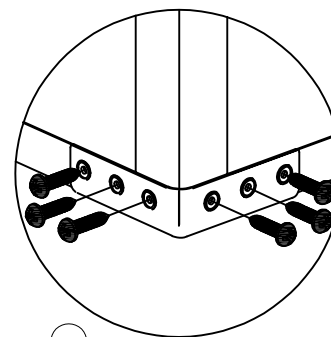
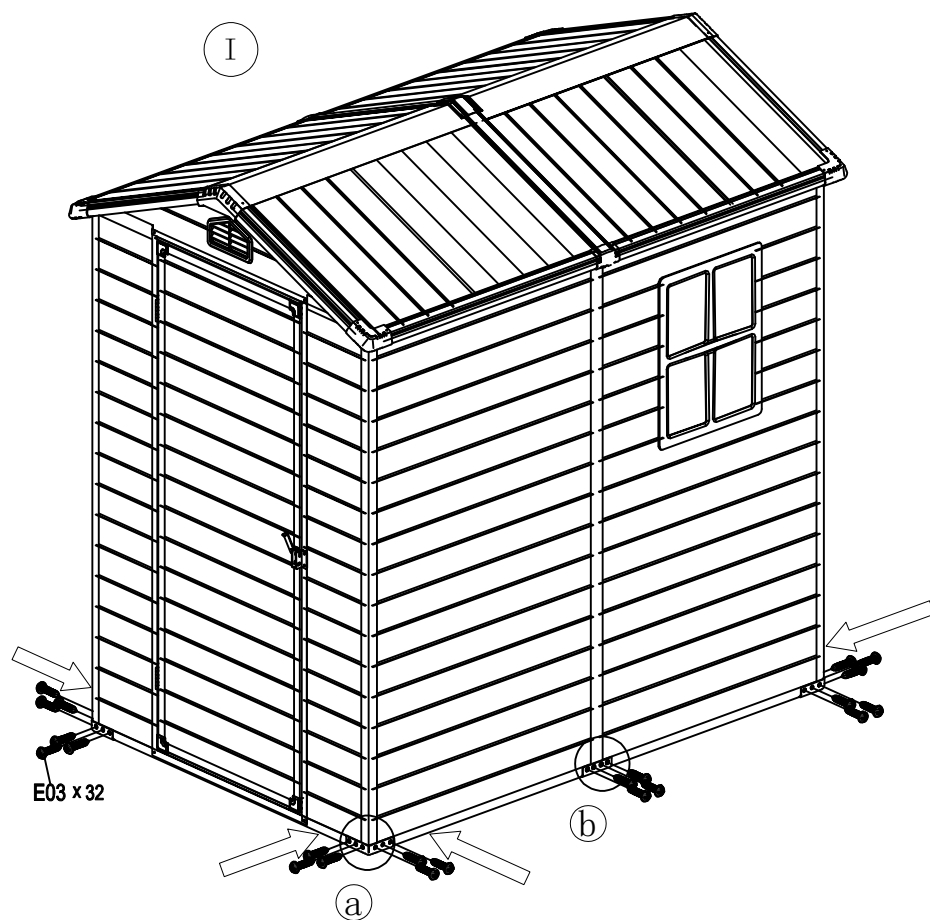
I



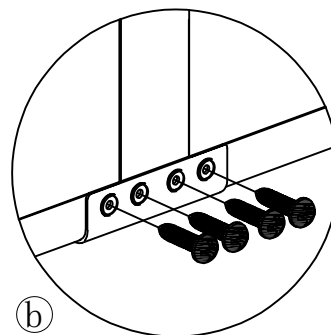
II



E03 x 32

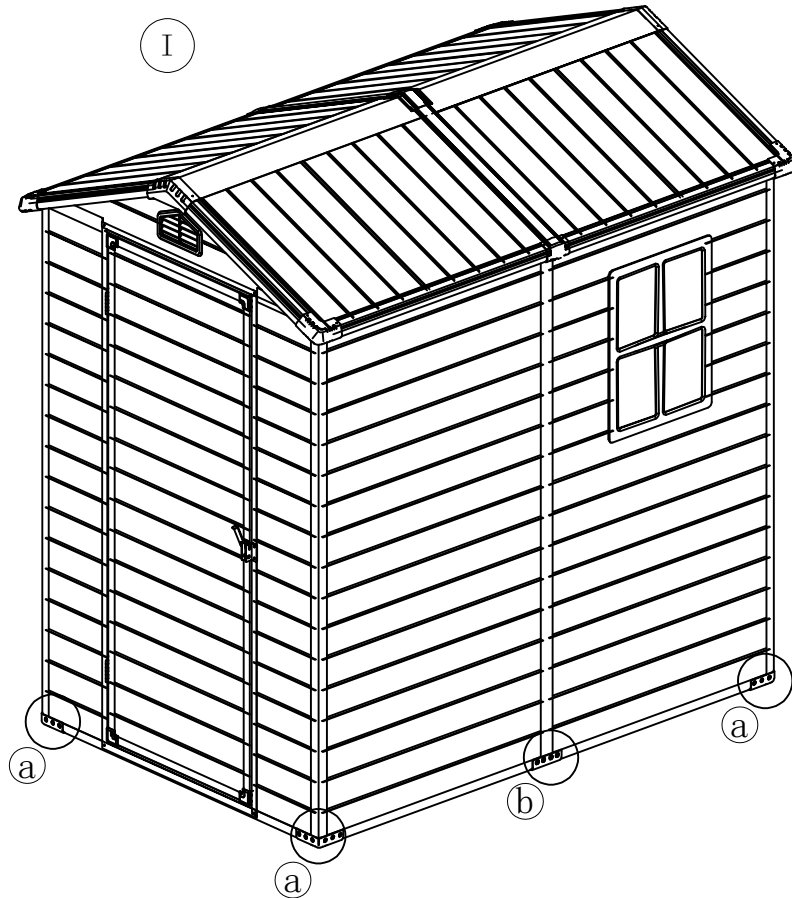
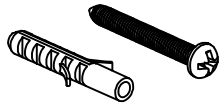


a



b

E04 x 6



Internal Side view

