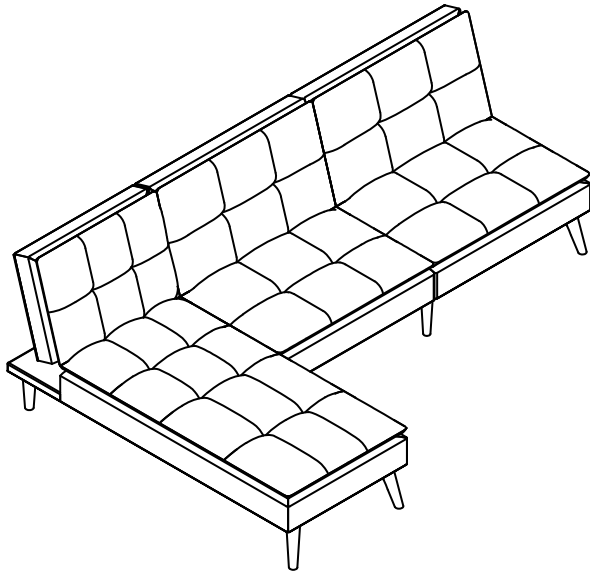
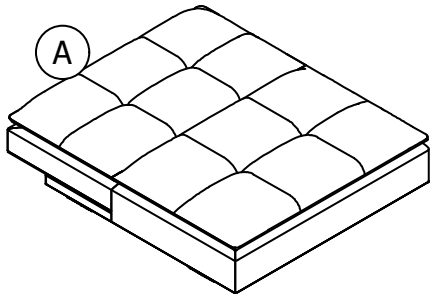


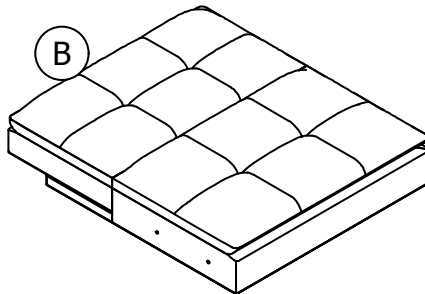
Assembly Instruction



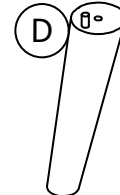
PART - BOX 1



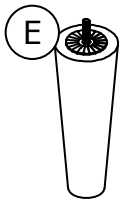
Seat X 1PC



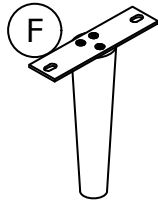
Seat X 1PC



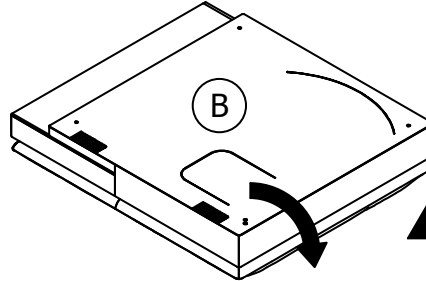
Front Leg X 2PCS



Rear Leg X 2PCS



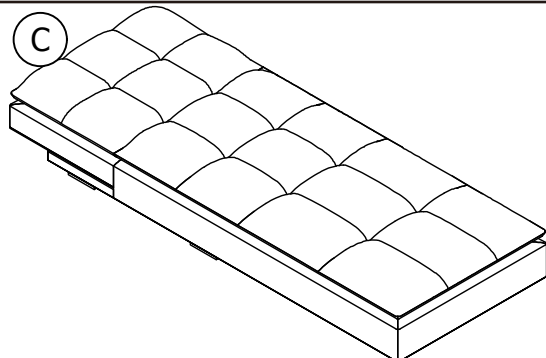
Middle Leg X 2PCS



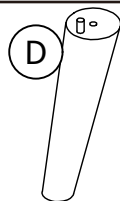
⚠ Some parts will be found in the compartment under the seat as shown.

NOTE: This item is packed in 2 boxes!
All parts listed on this column are in Box 1.
If Box 2 is missing please contact your Retailer.

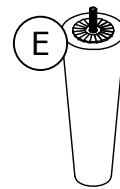
PART - BOX 2



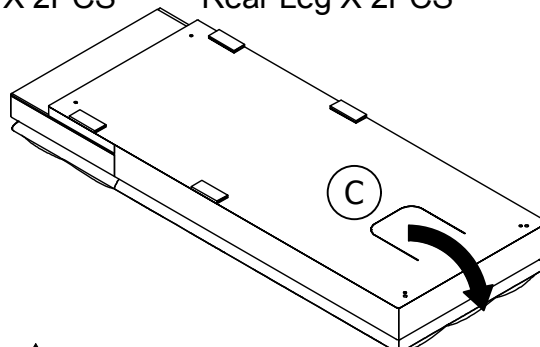
Chaise Seat X 1PC



Front Leg X 2PCS



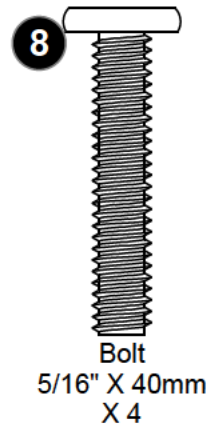
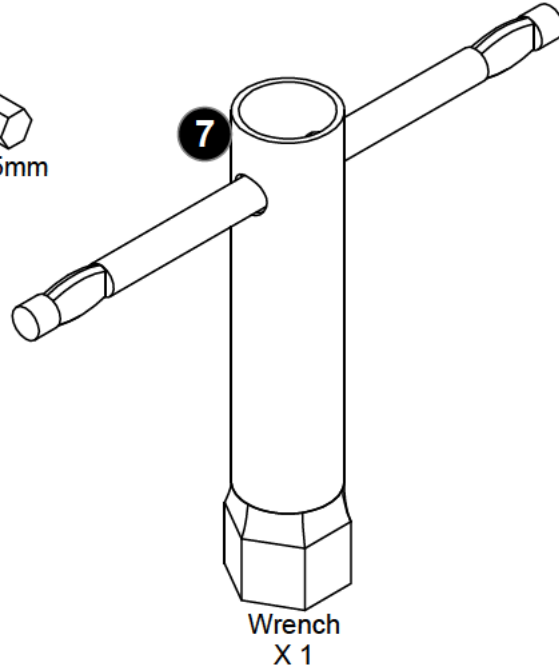
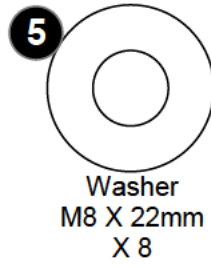
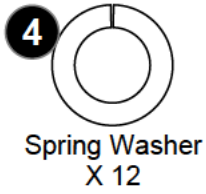
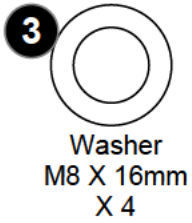
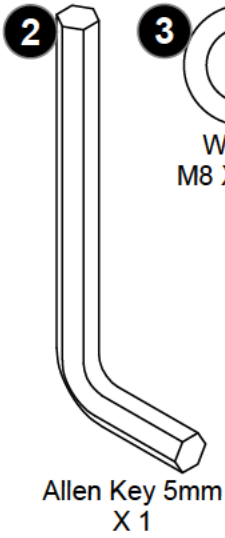
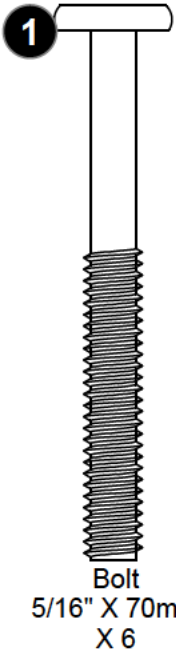
Rear Leg X 2PCS



NOTE: This item is packed in 2 boxes!
All parts listed on this column are in Box 2.
If Box 1 is missing please contact your Retailer.

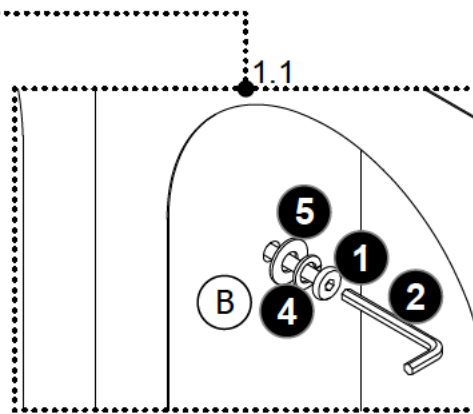
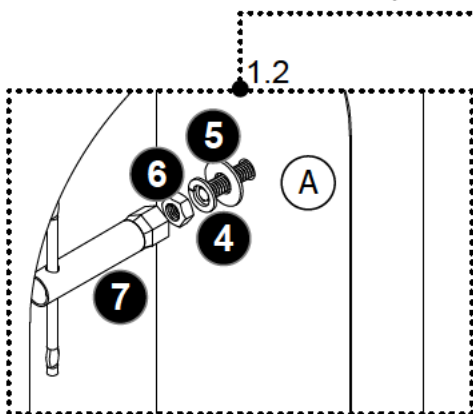
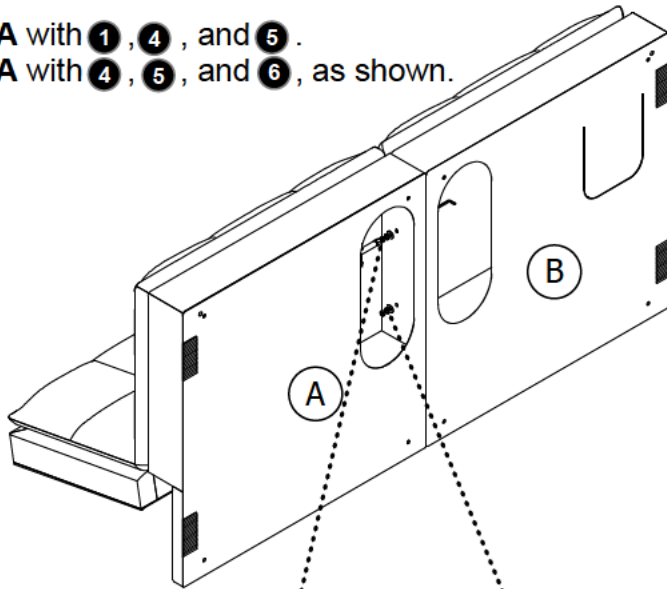
⚠ Some parts will be found in the compartment under the seat as shown.

HARDWARE (in box 1)



STEP 1:

- 1.1 Attach **B** to **A** with **1**, **4**, and **5**.
- 1.2 Attach **B** to **A** with **4**, **5**, and **6**, as shown.



STEP 2:

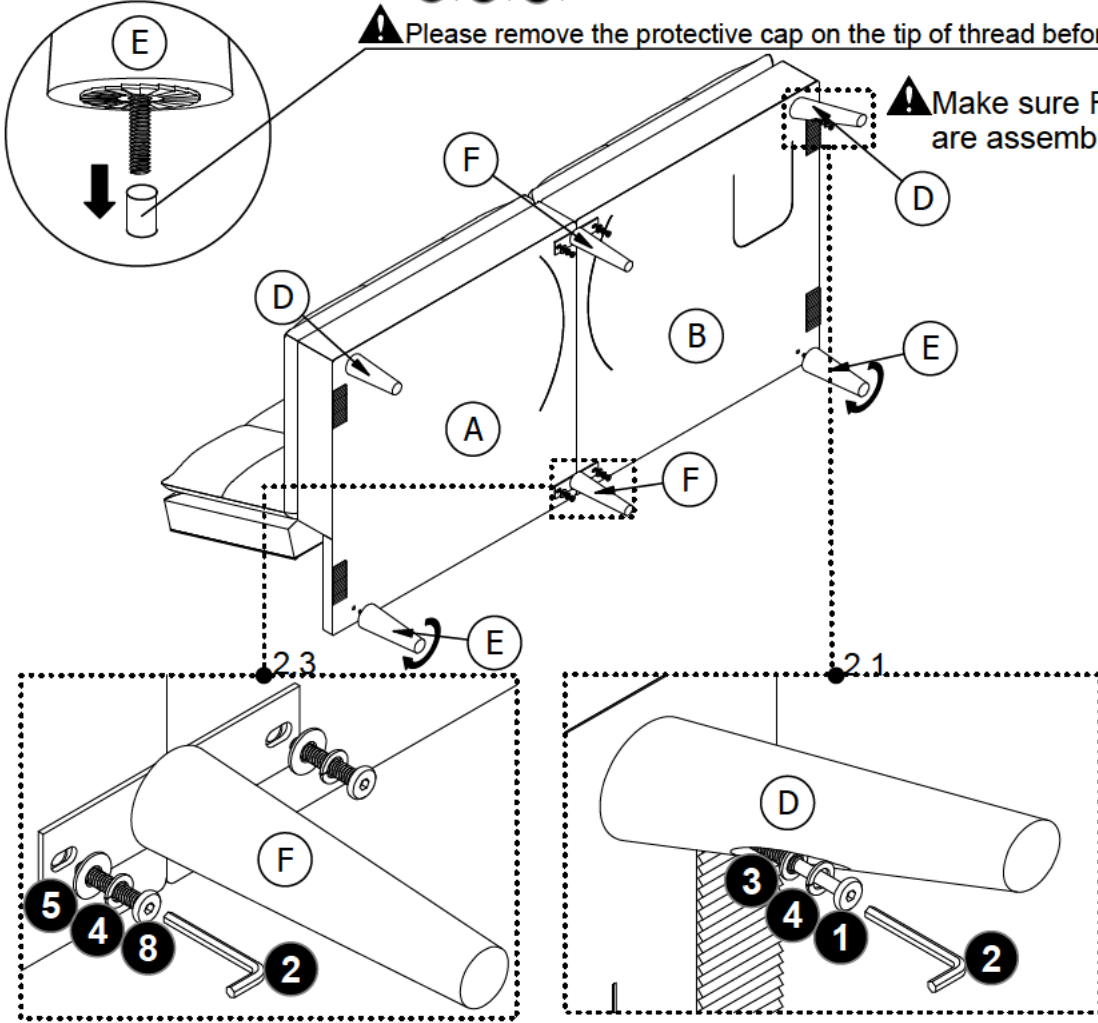
2.1 Attach **D** x 2 to **A** & **B** with **1**, **3**, **4**.

2.2 Manually screw **E** x 2 to **A** & **B**.

2.3 Attach **F** x 2 to **A** & **B** with **8**, **4**, **5**, as shown.

⚠ Please remove the protective cap on the tip of thread before assembling.

⚠ Make sure Front Legs **D** are assembled outwardly.



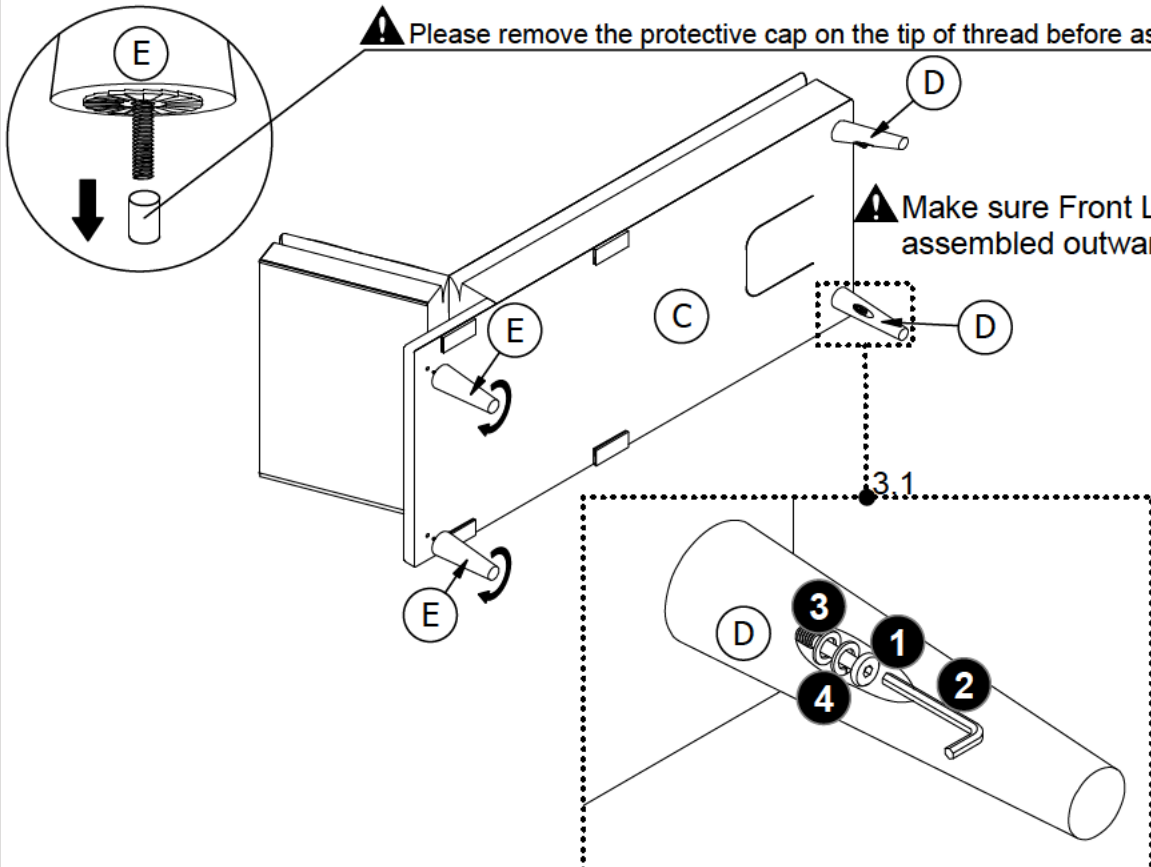
STEP 3:

3.1 Attach **D** x 2 to **C** with **1**, **3**, **4**.

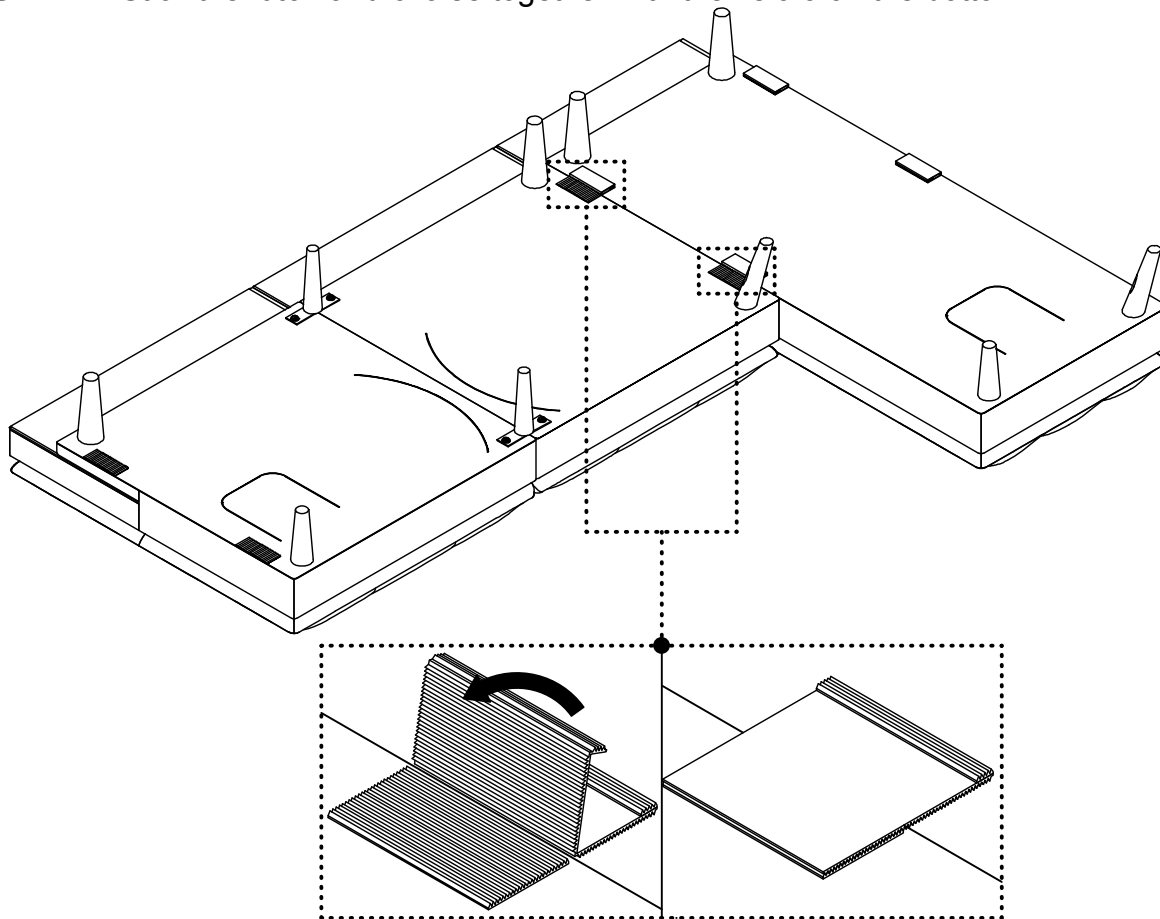
3.2 Manually screw **E** x 2 to **C**, as shown.

⚠ Please remove the protective cap on the tip of thread before assembling.

⚠ Make sure Front Legs **D** are assembled outwardly.



STEP 4: Stick the futon and chaise together with the velcro on the bottom.



Helpful Hints

- Your futon can transform between a Sofa and a Bed.
- Move your new furniture carefully, with two people lifting and carrying the unit to its new location.
- Your furniture can be disassembled and reassembled to move.
- Clean the product with a soft damp cloth. DO NOT use harsh chemicals or abrasive cleaners.
- Please reach out to the Retailer for assistance if assembly cannot be completely successfully.

