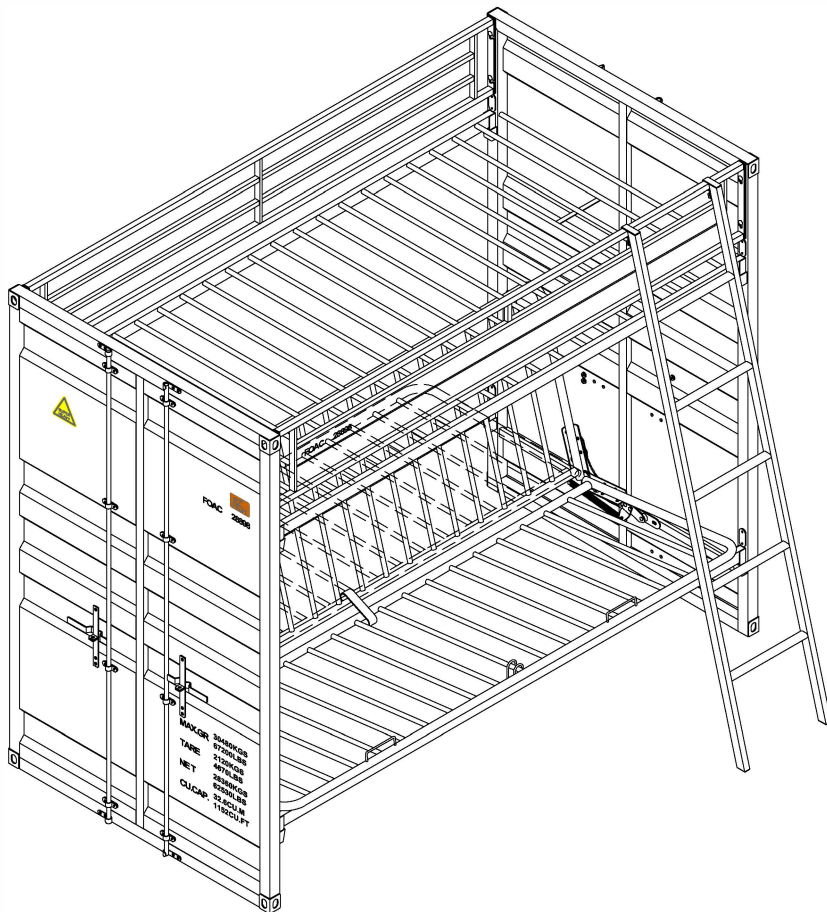


ASSEMBLY INSTRUCTIONS



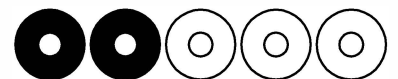
TOOLS REQUIRED

No Tools
Required For Assembly



4 - People
Recommended

ASSEMBLY RATING



EASY —————> DIFFICULT

The Assembly Rating is a 5-point system showing the level of effort needed to assemble a specific product.



CHECK BEFORE STARTING

Are you missing anything?

Double-check all parts, hardware and accessories listed on Page 6 are accounted for.

Check out our Quick Tips!

We recommend reviewing the pre-assembly handouts. Even experts need a refresher now and then!

Should we send any replacements?

Are there any irregularities or flaws in the parts? We can send replacements!

Prep Time!

Please review the assembly instructions and all diagrams prior to assembling. Arrange parts as recommended on Page 7 and group identical hardware together to make assembling easier.

PRE ASSEMBLY INTRODUCTION

We understand building ready-to-assemble furniture can be a challenging experience for some. To help avoid confusion, we have provided some helpful tips that may speed up the process.



Teamwork

ALWAYS have at least two people to help with transporting and assembling the product to avoid potential injury and/or damage.



Suitable Location

Assembling near the area of the intended location is highly recommended.



Sufficient Space

Make sure you have enough space to move around during the assembly.



Avoid Scratches

Use cardboard, blankets or a carpeted area while assembling furniture to prevent scratches.



Flat Surface

Make sure the furniture rests on a flat and level surface with each leg evenly touching the floor.

ASSEMBLY AND CARE ADVICE



FAILURE TO FOLLOW THE GUIDELINES BELOW MAY RESULT IN INJURY AND/OR PROPERTY DAMAGE.



Position each part correctly and insert screws or bolts into their respective holes.



Turn clockwise to tighten and only tighten when step is completed or when instructed to do so.



Use the appropriate hand tools or power tools for assembly. Select steps, such as tightening screws and/or bolts, may require hand tools to avoid causing damage during assembly.



Save the instructions and store any supplied tools for later maintenance.



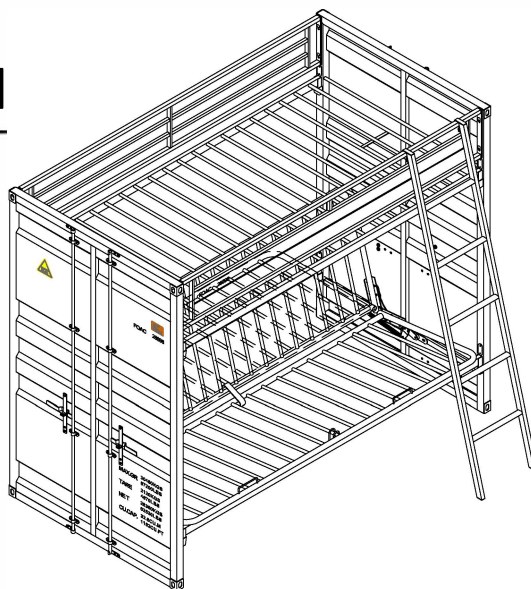
After two weeks, check and tighten any loose hardware and repeat again every six months thereafter.

IT IS THE USER'S RESPONSIBILITY TO MAINTAIN THE FURNITURE. THE HARDWARE MAY LOOSEN OVER TIME AND MAY CAUSE THE FURNITURE TO BE WOBBLY AND UNABLE TO SUPPORT ITS INTENDED WEIGHT CAPACITY. THIS MAY LEAD TO COLLAPSE AND MAY CAUSE SERIOUS INJURY.

Metal Twin/Twin size bunk bed



• Please keep instructions for future reference.
 • Check the quantity and irregularity of parts and hardware before you start.



PARTS

#1 1pc



Left HB

#2 1pc



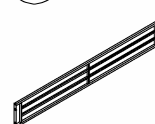
Right HB

#3 1pc



Front Guardrail

#4 1pc



Back Guardrail

#5 1pc



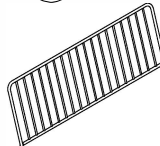
Upper Bed Board

#6 2pcs



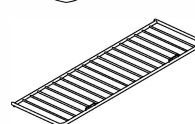
Connection Tube

#7 1pc



Back Slats

#8 1pc



Down Slats

#9 1pc



Ladder

#10 1pc



Fitting

#11 1pc



Sofa Connector

#12 2pcs



Ladder Connector

HARDWARE

#A 2pcs



Bolt 1/4" x 3/8"

#B 4pcs



Bolt 5/16" x 5/8"

#C 4pcs

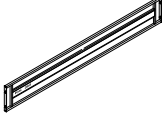



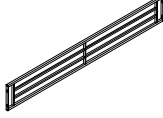

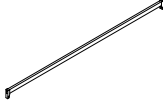
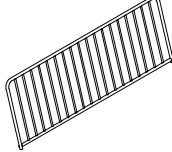
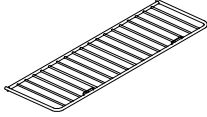






Sticker

FOA-BK652 Points 2 cartons

Carton	Designation	Part		Hardware
FOA-BK652-1	Left HB	#1		
	Right HB	#2		

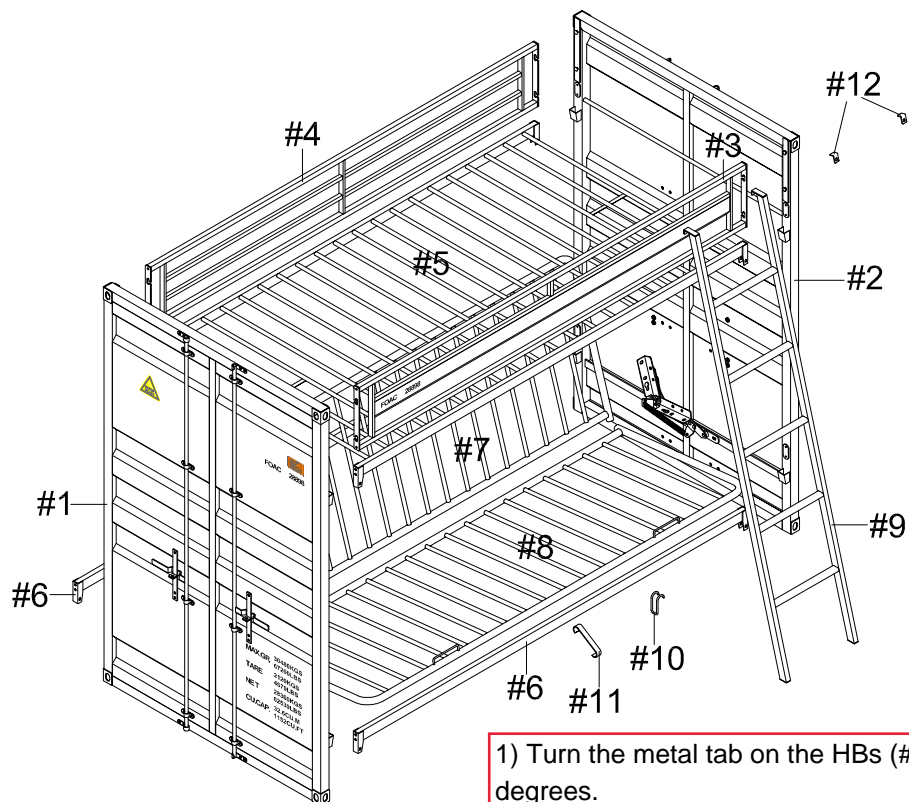
Points 2 cartons

Carton	Designation		Part	Hardware
FOA-BK652-2	Front Guardrail	#3		 #A x 2pcs  #B x 4pcs  #C x 4pcs
	Back Guardrail	#4		
	Upper Bed Board	#5		
	Connection Tube	#6	 x2	
	Back Slats	#7		
	Down Slats	#8		
	Ladder	#9		
	Fitting	#10		
	Sofa Connector	#11		
	Ladder Connector	#12	 x2	

ASSEMBLY INSTRUCTIONS

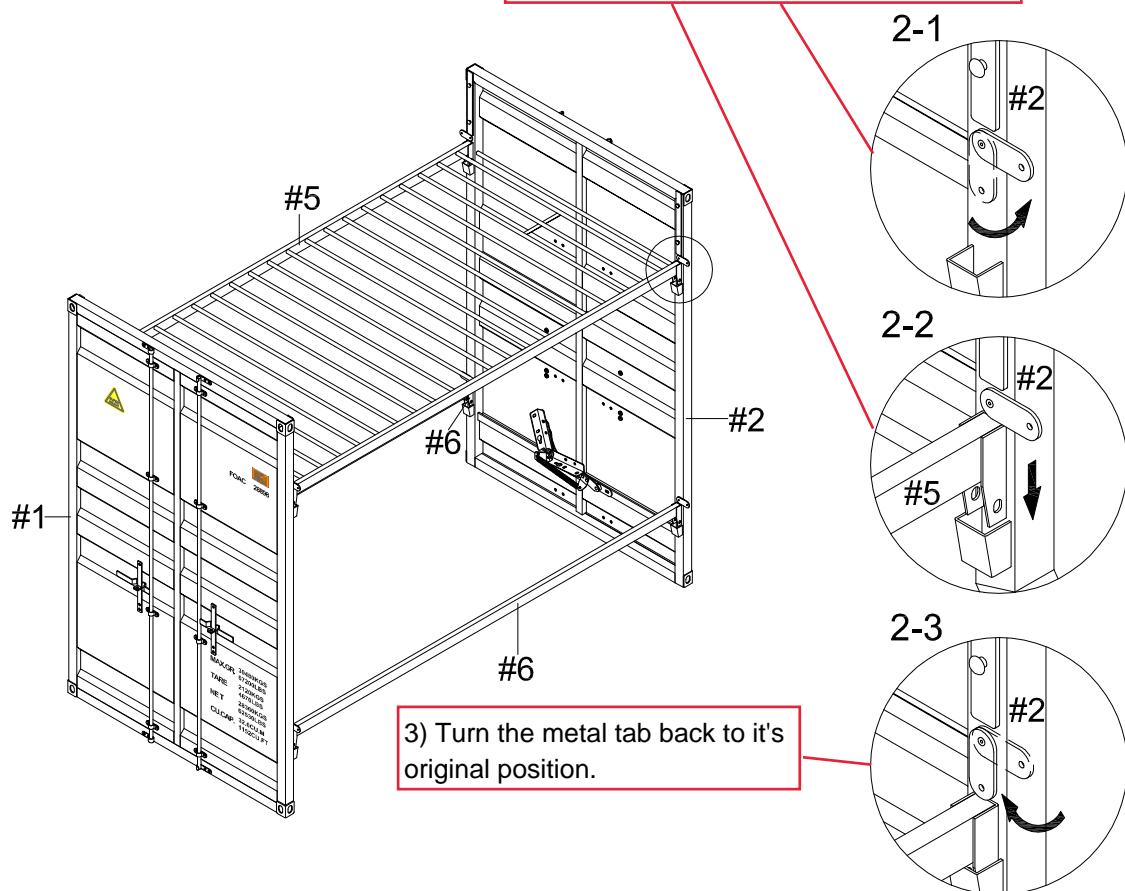
1

Exploded View



2

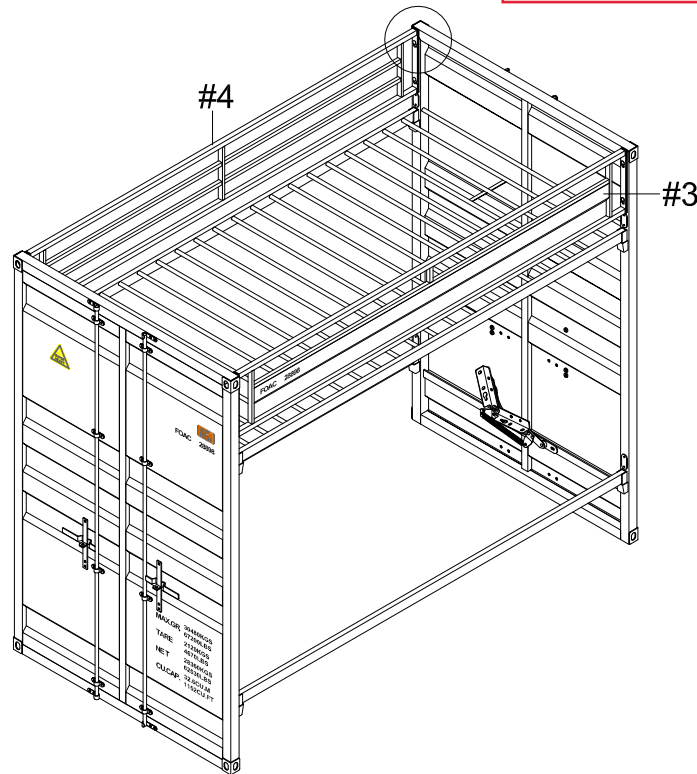
- Part #1 x 1pc
- Part #2 x 1pc
- Part #5 x 1pc
- Part #6 x 2pcs



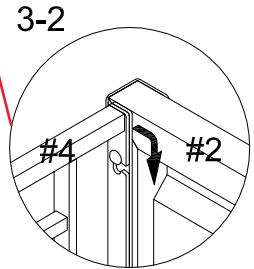
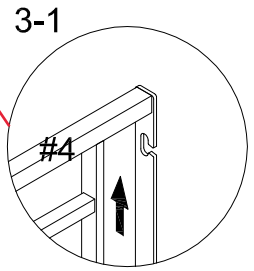
ASSEMBLY INSTRUCTIONS

3

Part #3 x 1pc
Part #4 x 1pc

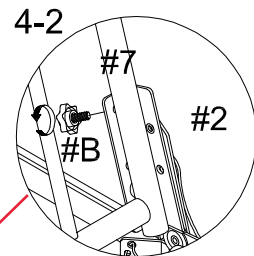
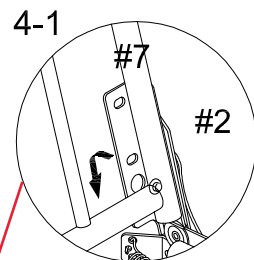
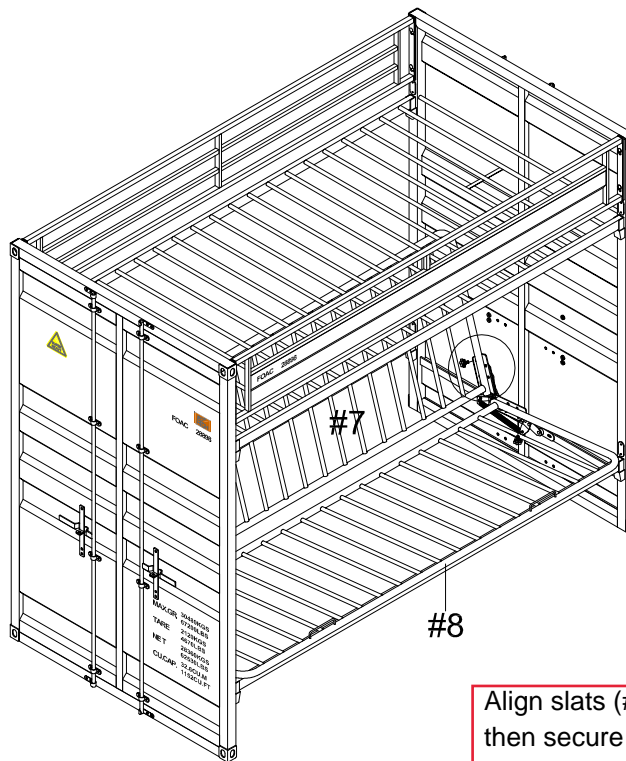


Ensure the orientation of guardrails (#3,4) is as shown in the diagram, then align and secure the guardrails (#3,4) to the HBs.



4

Part #7 x 1pc
Part #8 x 1pc
Hardware #B x 4pcs

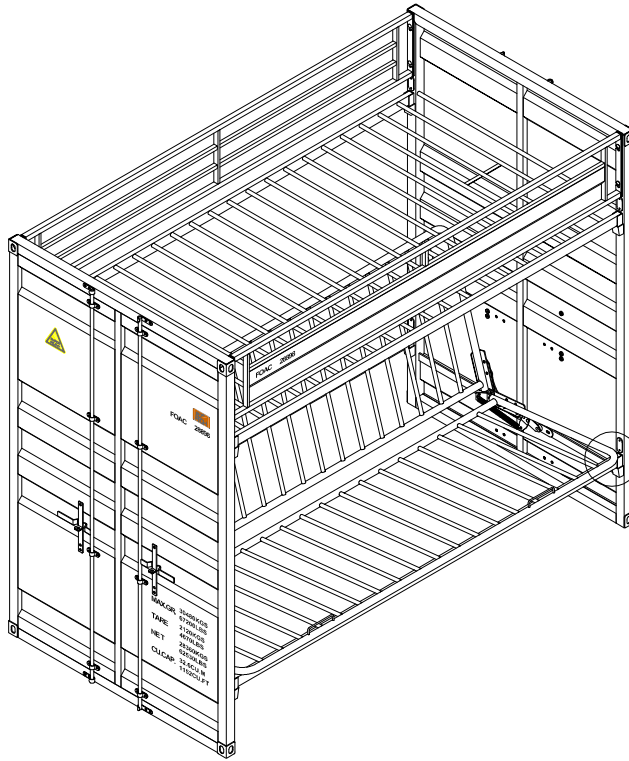


Align slats (#7,8) to the bottom bunk, then secure back slats (#7) to the bottom bunk by using bolts (#B).

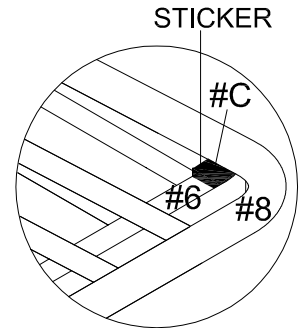
ASSEMBLY INSTRUCTIONS

5

Hardware #C x 4pcs

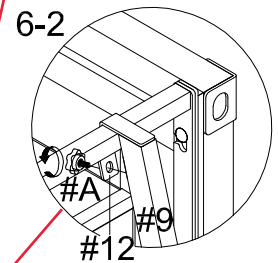
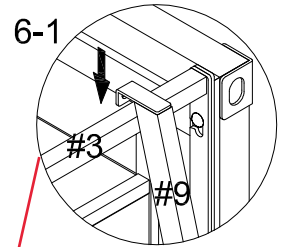
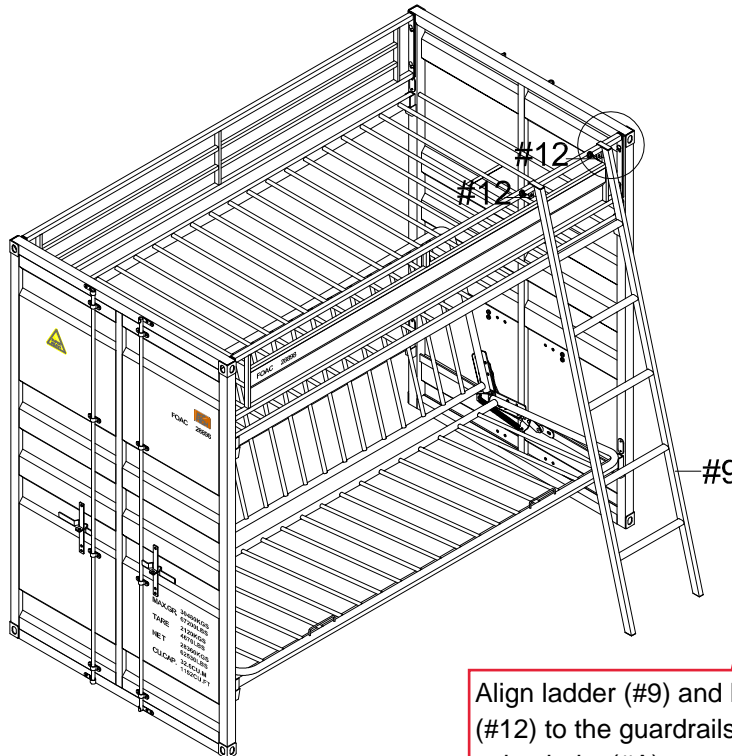


Attach stickers (#C) to the connection tube (#6).



6

Part #9 x 1pc
Part #12 x 2pcs
Hardware #A x 2pcs



Align ladder (#9) and ladder connectors (#12) to the guardrails (#3), then secure by using bolts (#A).

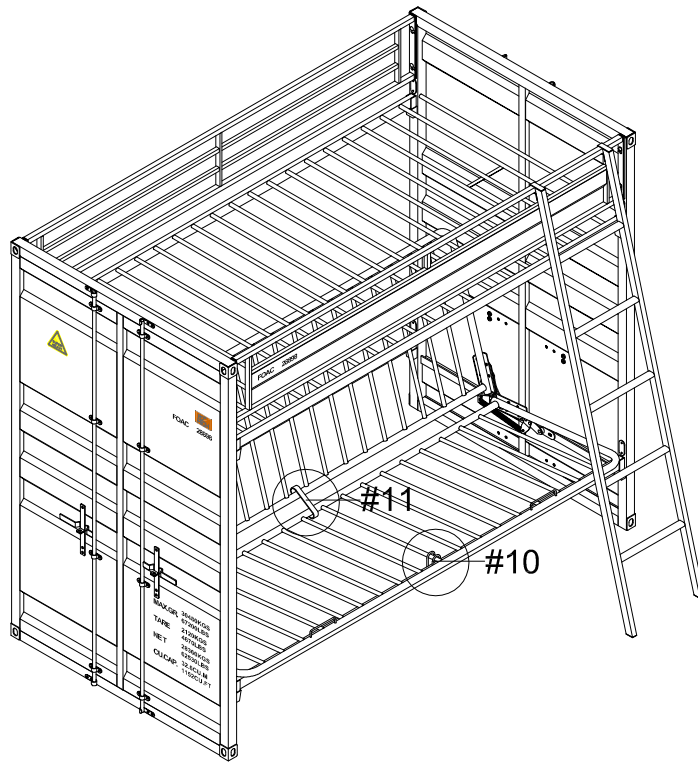
ASSEMBLY INSTRUCTIONS

Align and attach fitting (#10) and connector (#11) to the bottom bunk slats.

7

Part #10 x 1pc

Part #11 x 1pc



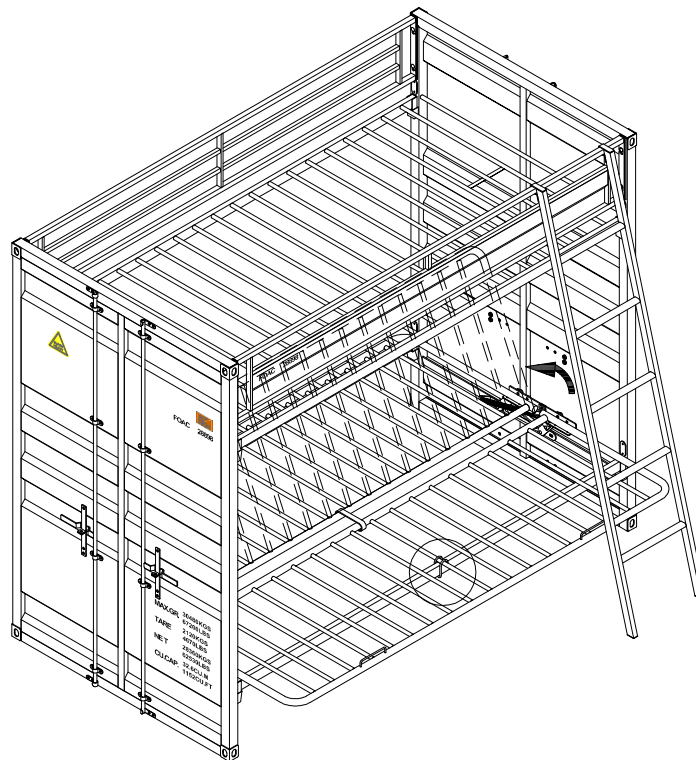
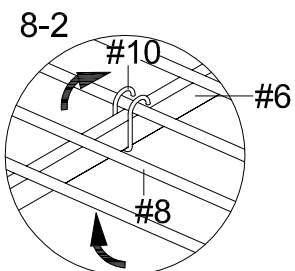
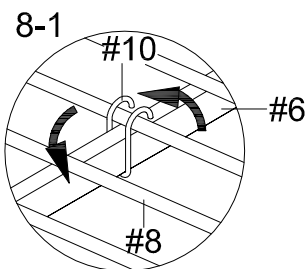
7-1

#7 #11 #8

7-2

#10 #6 #8

8



ASSEMBLY COMPLETED



Please ensure the furniture rests on an even and flat surface. If the product wobbles or feels loose, double-check all bolts and/or screws are properly tightened and secured.



Keep this handy!

Please retain this instruction manual and any order-related information for future reference.



Lift, don't drag!

To avoid damage to product please always LIFT the product when transporting or adjusting the placement.

Safety Warnings

1. Follow the information on the warnings appearing on the upper bunk end structure and on the carton . Do not remove warning label from bed.
2. Always use the recommended size mattress or/and mattress support to help prevent the likelihood of entrapment or falls.
3. Surface of mattress must be at least 5 in. below the upper edge of guardrails .
4. Do not allow children less than 6 years of age to use the upper bunk.
5. Periodically check and ensure that the guardrail, ladder ,and other components are in their proper position ,free from damage ,and that all connectors are tight .
6. Prohibit horseplay on/or under the bed and prohibit jumping on the bed.
7. Always use the ladder for entering and leaving the upper bunk.
8. Do not use substitute parts ,Contact manufacturer or dealer for replacement parts.
9. Use of a night light may provide added safety precaution for a child using the upper bunk.
10. Always use guardrails on both long sides of the upper bunk.
11. If the bunk bed will be placed next to a wall, the guardrail that runs the full length of the bed should be placed against the wall to prevent entrapment between the bed and the wall.
12. The use of water or sleep flotation mattress is prohibited .
13. Keep these instructions for future reference.
14. Use only mattress which is 74 3/4"x39" x6" on upper bunk and for bottom bunk required 73 1/4"x52 1/2" x8"mattress.
15. Prohibit more than one person on upper bunk.

STRANGULATION HAZARD:

16. Never attach or hang items to any part of the bunk bed that are not designed for use with the bed for example, but not limited to hooks, belts, and jump ropes.