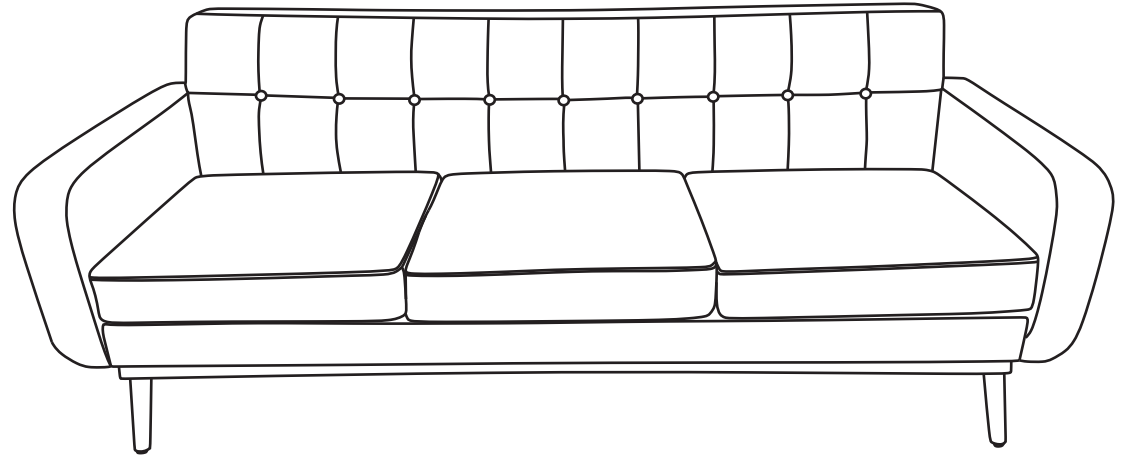


Instruction Manual

User Guide

Make life better

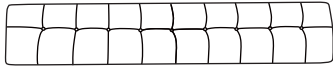
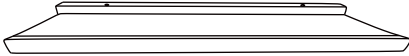

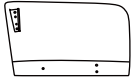
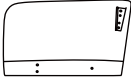


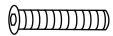





Warm tips: We are proud of high-quality products and satisfactory service, but the goods may encounter special circumstances during transportation, if you receive the goods with missing or damaged parts, please take photos and contact our customer service before returning the goods, we will customize a solution that satisfies you, thank you.



Note:

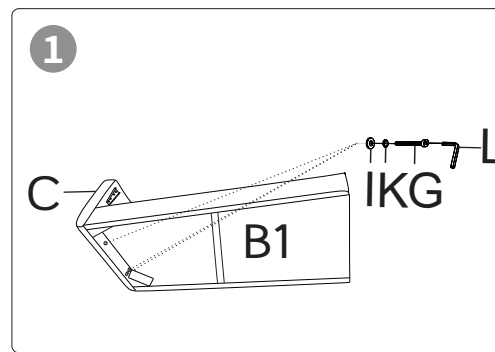
1. During the assembly of the two components, if there are multiple screws that need to be installed, you can first align all the screws with the hole position and manually turn a few turns to fix the position, and then tighten them all with a wrench.
2. The Flat Washer and Lock Washer must be installed to prevent the screw from loosening and damaging the connection part.

Instruction

NO	DESCRIPTION		QTY
A	Backrest		1
B1	Seat frame		1
B2	Cushion		3
C	Left handrail		1
D	Right handrail		1
E	leg		4
F	Front rung		1
G	Screw1	$\Phi 5/16$ " * 2" L 	17
H	Screw2	$\Phi 5/16$ " * 3-15/16 " L 	2
I	Flat Washer	$\Phi 5/16$ " * 22mm 	16
J	Flat Washer	$\Phi 1.5$ mm 	3
K	Lock Washer	$\Phi 5/16$ " 	16
L	Allen Wrench	$\Phi 5$ mm 	1

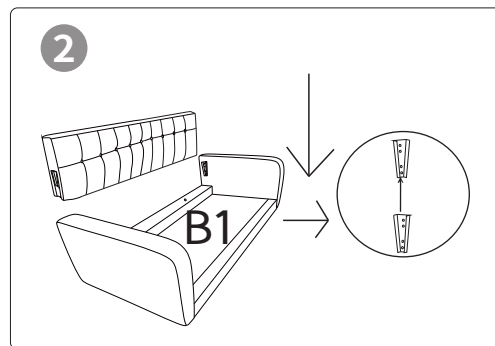
Note:

The packing is divided into two cases of .Please check the number of assemblies according to the instructions before installation.Sofa legs and corresponding screws and washers must be installed according to the instructions



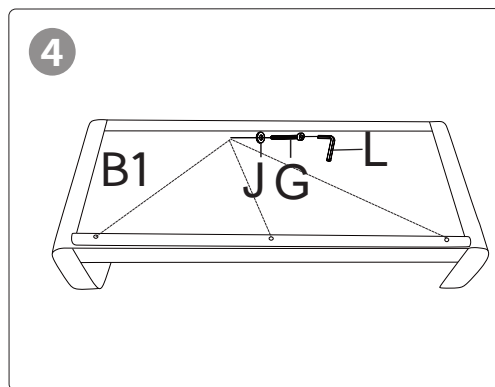
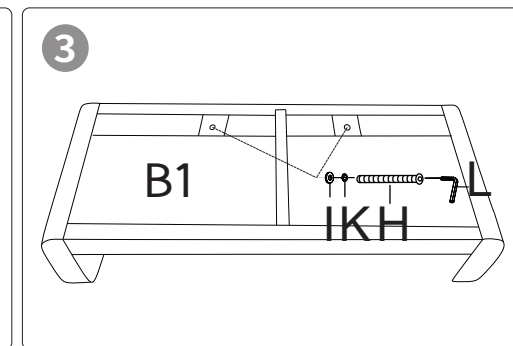
Note: This sofa comes in two boxes. Please check the boxes quantity.

1 Connect the left and right armrests C and D to the seat frame B1 and tighten them with screws (I-K-G).



2 Align the backrest A with the seat frame B and install it, align the left and right metal parts to ensure that it is firmly in place.

3 Use parts (I-K-H) to tighten the two screws at the bottom of the backrest and



4 Use parts (J-G) to install the front horizontal rail F of the sofa and tighten the corresponding two screws.

5 Use parts (I-K-G) to insert and install the four legs and tighten them separately.

