



## Shower Door Installation Instructions



MODEL:

**DS10**

FINISH:

CH-CHROME

BR-BRUSHED NICKEL

BL-MATTE BLACK

Please review this manual before installation.

---

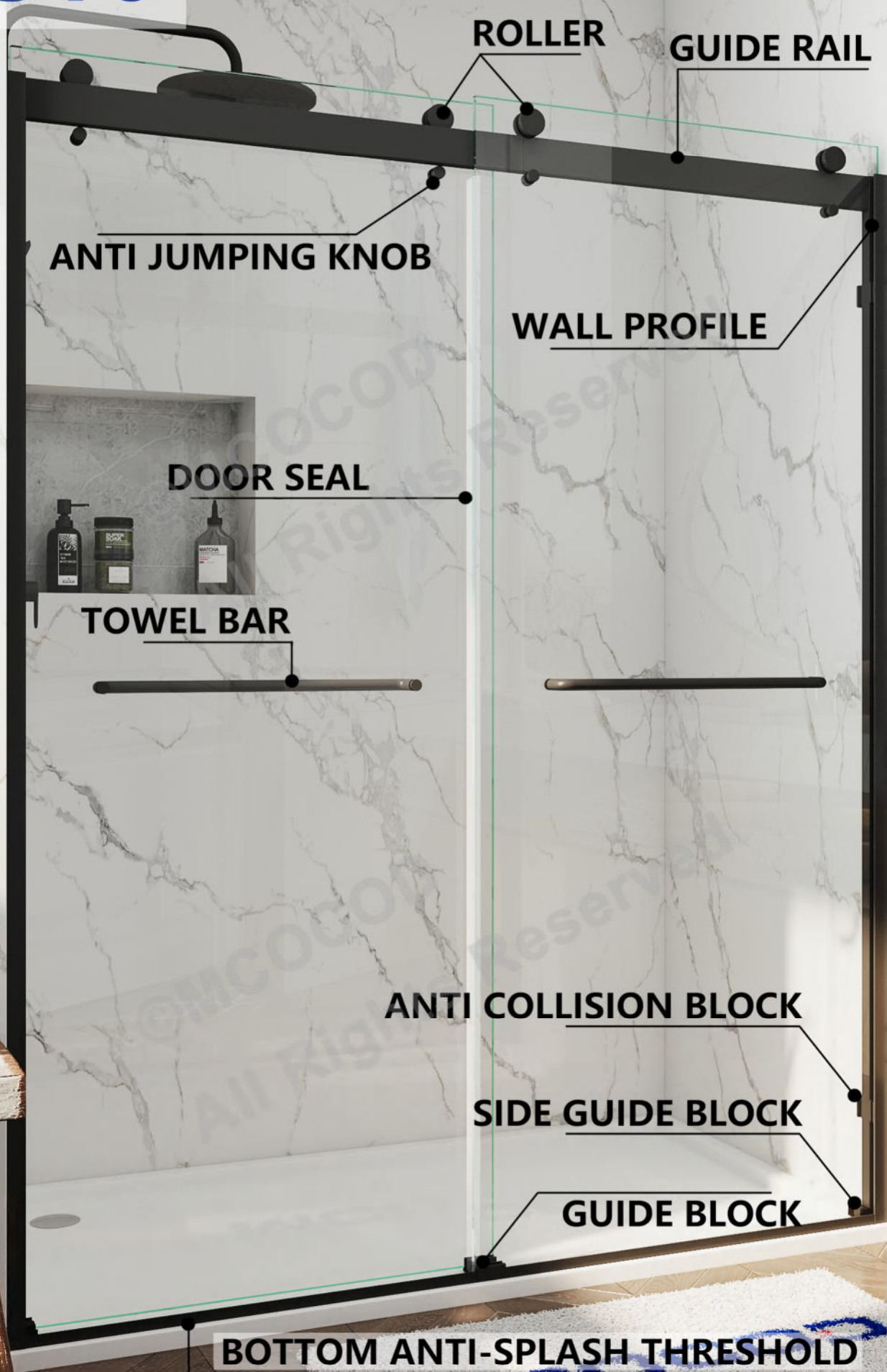


**321-946-6293**  
**470-926-8618**

# CATALOG

- 1 Product Structure Show
- 2 Parts Listing and Detail
- 5 Preparation
- 7 Tools Required
- 8 Installation Steps
- 14 Inspection and Maintenance
- 15 Troubleshooting Guide
- 16 Glass Info and Customer Service

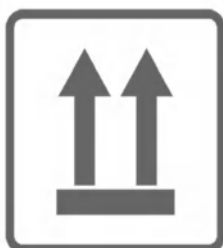
# DS10



# PARTS LISTING

## DS10

NO.	Name	Picture	Qty	NO.	Name	Picture	Qty
①	Sliding Glass		2	⑩	Wide Seal		1
②	Guide Rail		1	⑪	Anti-splash Threshold		1
③	Roller		4	⑫	6mm Wall Plug		10
④	Anti-jumping knob		4	⑬	Screw ST4x30		8
⑤	Wall Profile		2	⑭	Screw ST4x20		2
⑥	Anti-collision Block		8	⑮	Allen Key		1
⑦	Guide Block		1				
⑧	Towel Bar		1				
⑨	Side Guide Block		2				



Please keep this manual and product code number for future reference or get replacement part if necessary.

# PARTS DETAIL



Wall Profile

Decorative  
Cover →



Roller



Anti-collision Block



Guide Block



Towel Bar



Side Guide Block

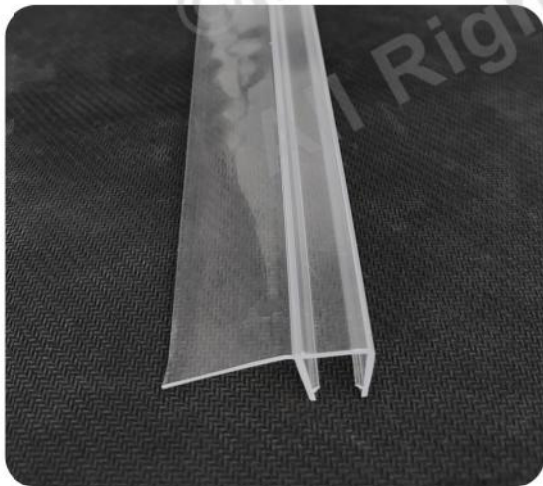


Anti-jumping Knob

# PARTS DETAIL



Guide Rail



Door Seal



Glass



Anti-splash Threshold



Screw & Allen key

# PREPARATION

- 1 Check all product parts for transport damage and check the qty of each part. If the unit is damaged, has surface defects, or missing parts, please contact our customer support dept. Please provide order number, recipient's name, or other proof of purchase to identify the original order.
- 2 Please Note! Please consult your local building regulations to check compliance. We are not responsible for your item's compliance with local building regulations.
- 3 All measurements and installation should do after the wall and shower base were completed. Make sure shower base/threshold is horizontal. Recommended licensed plumber installation.
- 4 Before installation, make sure that the surface of the wall is flat and strong enough to support the total weight of the unit. Make sure that neither side of the wall offset more than 1/2". Use level to verify that your walls are within 1/2" of plumb before proceeding. Irregularly level wall surfaces or too much offset would cause serious problems with the installation.
- 5 Protect all major surfaces of the product when installing and cutting. Do not place glass directly on the rough floor or leaning against the wall, place it on the cardboard or smooth plank before installing it. Do not remove the glass corner protections until installation is complete.
- 6 Note: Drilling on the threshold is required to install this unit. MIN. threshold requirement for installation is 2 1/2 in. then the guide block will protrude inward about 1/8 in. We recommended to purchase a finished shower base with threshold width of no less than 2 1/2 in. to match it.

# PREPARATION

- 7 Understanding shower door construction and parts installation locations. (Please refer to page 1~4)
- 8 Installing DS10 double sliding door does not require selection of opening direction. Once installation completed, move both doors to change the direction of opening. In entering and exiting the shower, both doors need to be used.
- 9 Tile walls are best to replenish some glass glue at the tile seams to avoid leakage after the installation is completed.
- 10 Do not cut, polish, etc. to destroy the original appearance of the glass as this will void the warranty.
- 11 Heavy item! Handle carefully of the glass is required during installation, please do not step on the glass to avoid bumping. After removing the sliding glass corner protections, do not hit the glass corner. We recommend that two adults be involved in the installation.
- 12 If your threshold and wall joints are curved, not right angles, please treat the corners right-angled first, otherwise it will be difficult for proper installation.



**NOTE: Please follow this instruction to install the item, non-compliance may result in glass damage or serious personal injury.**

# TOOLS REQUIRED

(Please bring your own tools)



Spirit level



Hacksaw



Tape measure



Power drill



Screw driver



Drill Bits 1/4"



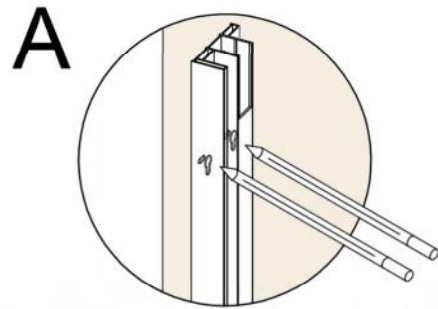
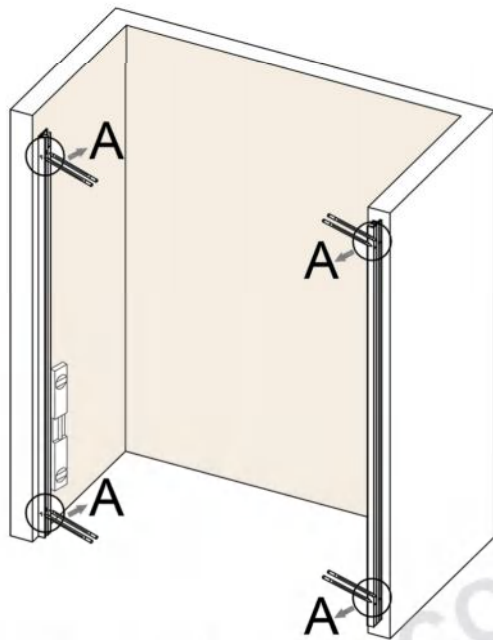
Pencil



Rubber hammer

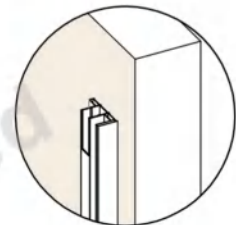
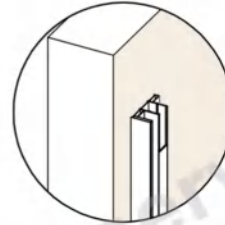


Silicone Gun  
Modified Silane(Silyl) Polymer

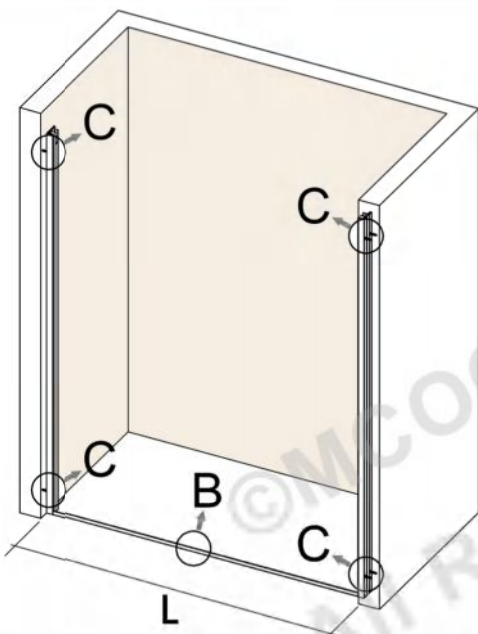


Left

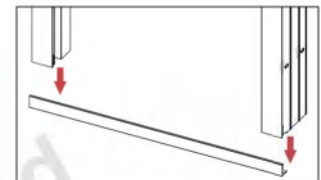
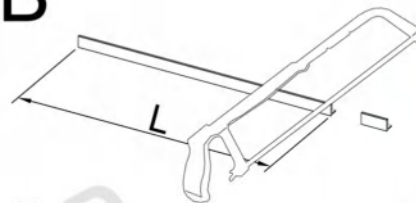
Right



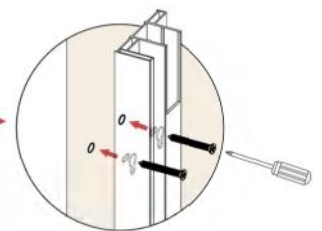
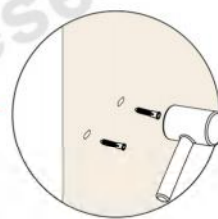
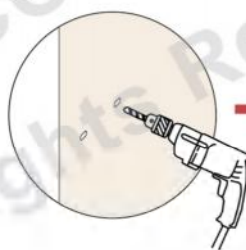
① No need to select the opening direction for DS10 installation. Please put the wall profile vertically close to the wall as shown, the bottom needs to touch threshold. The outside of wall profile should be flush with the outside of threshold, use level to confirm the vertical and draw total of eight position of the punching points on both side walls. When your threshold is wider you can choose the position on the threshold according to your preference. The height of the corresponding points drawn on both walls should be the same.



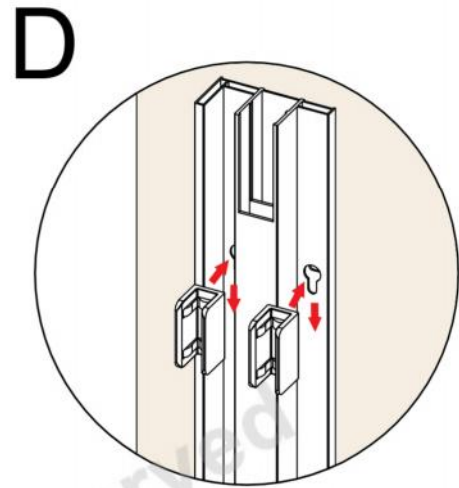
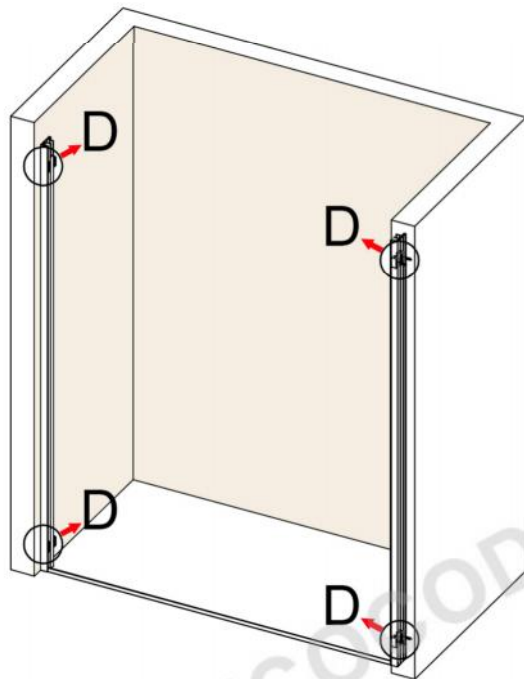
B



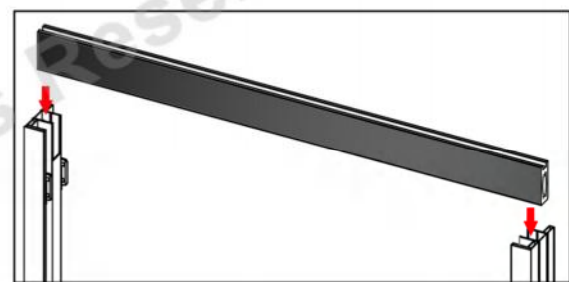
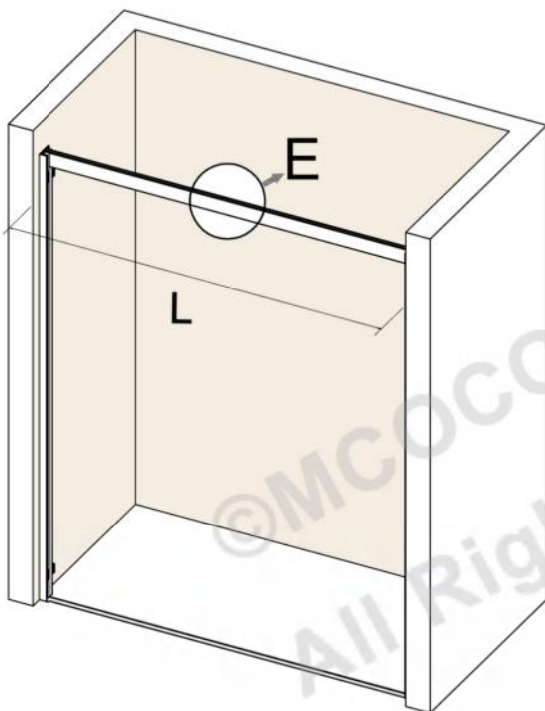
C



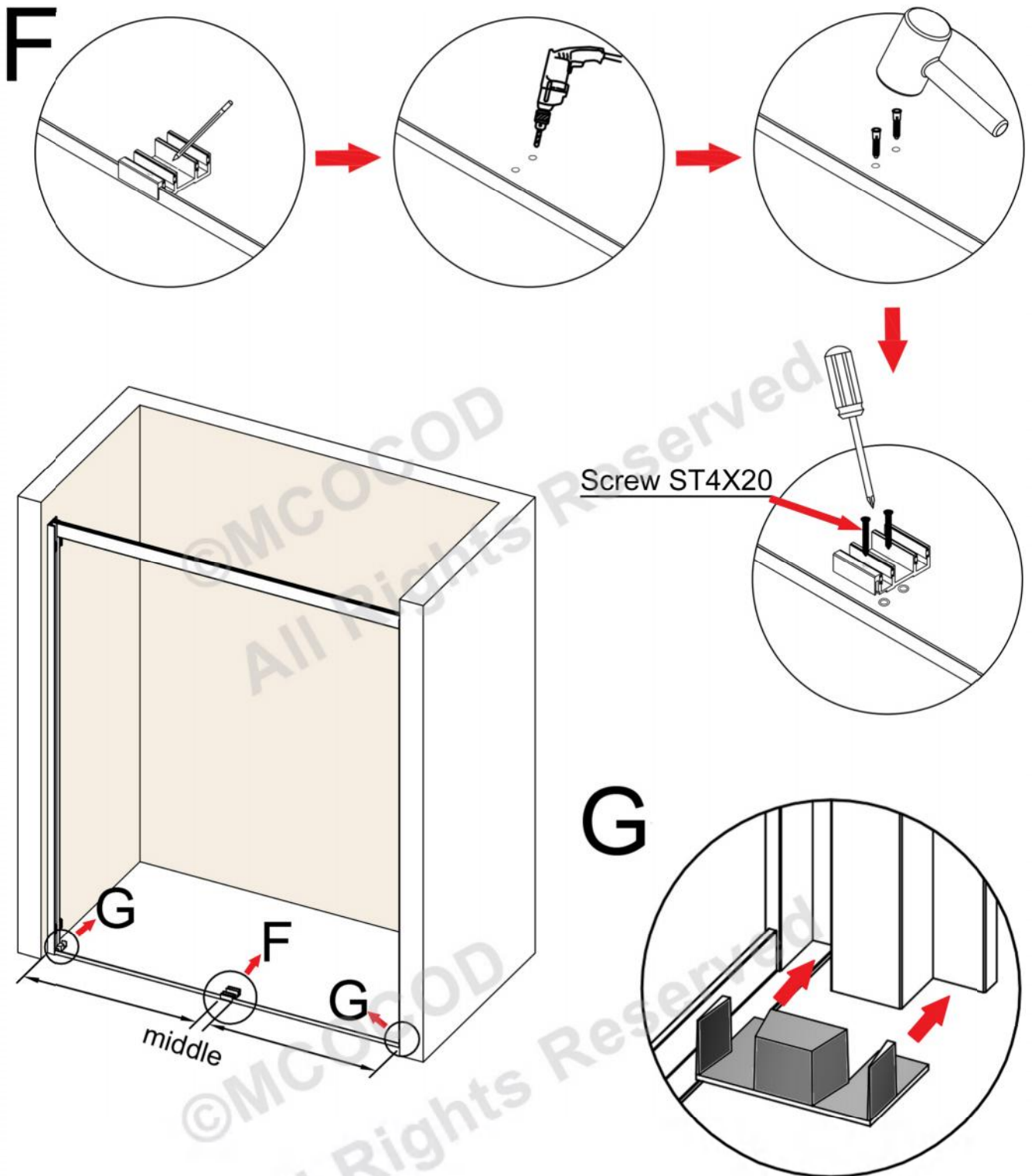
② Drill the holes according to the drawn holes, making sure that there is no offset of the holes. The drilling positions of the left and right walls need to be in alignment and on the same horizontal and vertical plane. Install the Anti-splash threshold according to the bottom width of your shower opening, if the length exceeds the bottom width of your shower opening, it will need to be cut to fit your opening. After cutting, place the Anti-splash threshold into the bottom gap of the wall profile on both sides. Then install the left and right wall profiles according to the punched holes with part 12 and 13, a total of eight holes.



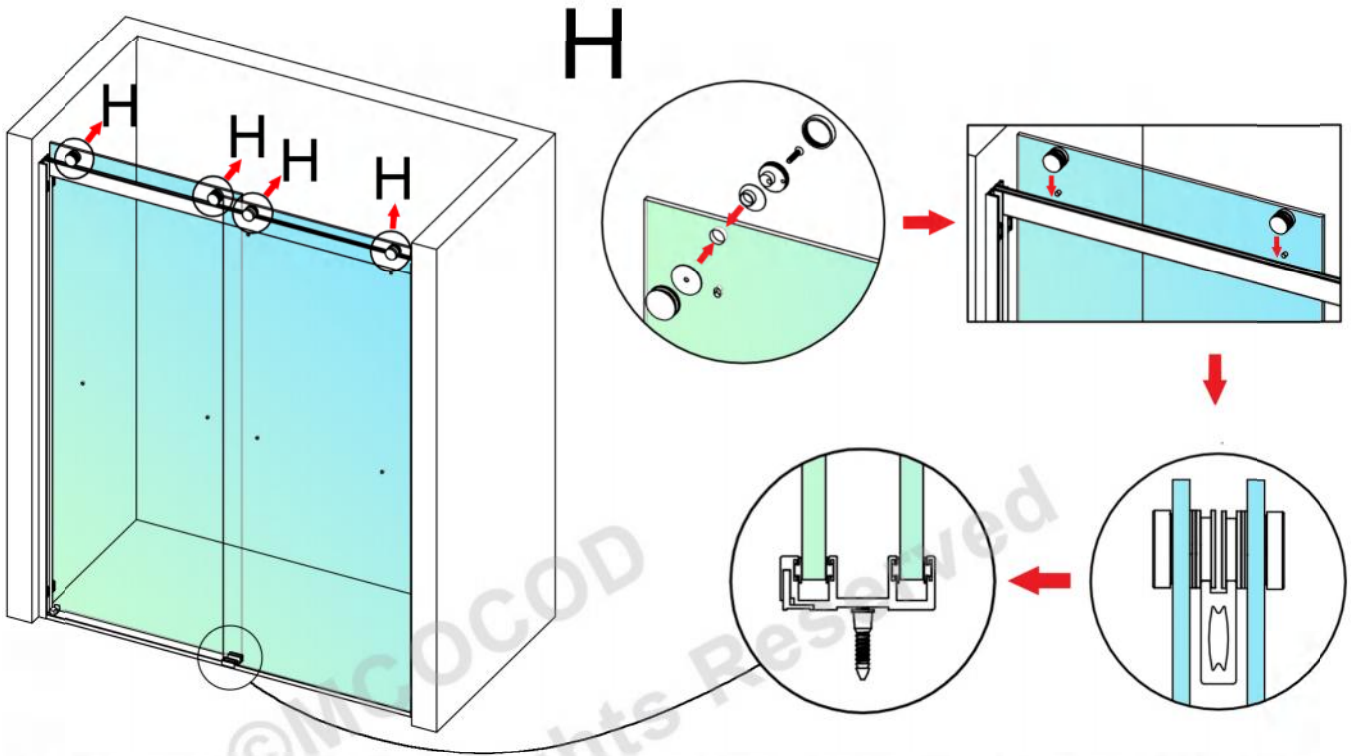
③ Install the Anti-collision blocks: Push them directly into the wall profile holes on both sides, 8 in total. Push them completely into the holes and then push down a little to snap them into the holes.



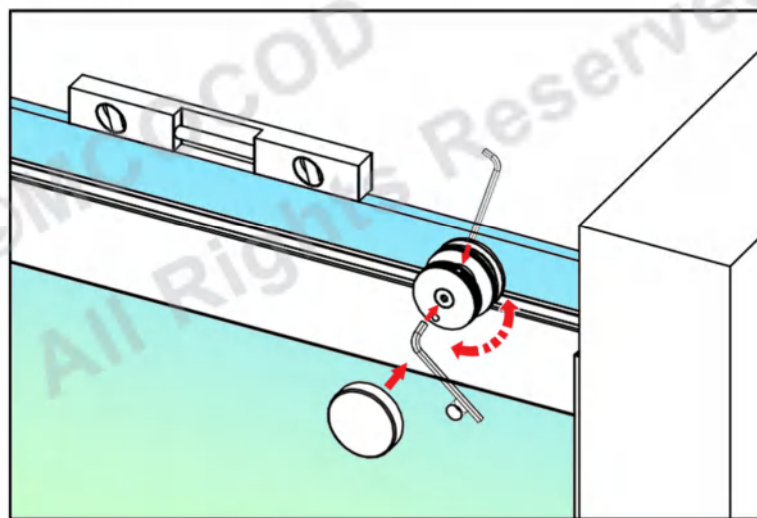
④ If the guide rail need to be cut to match your shower opening, please do it based on actual measurements. Then insert the guide rail into the wall profile gap. **If stretch the product installation width no need to cutting the guide rail. DS10 has maximum installation width stretch of 1/2" for each size.**



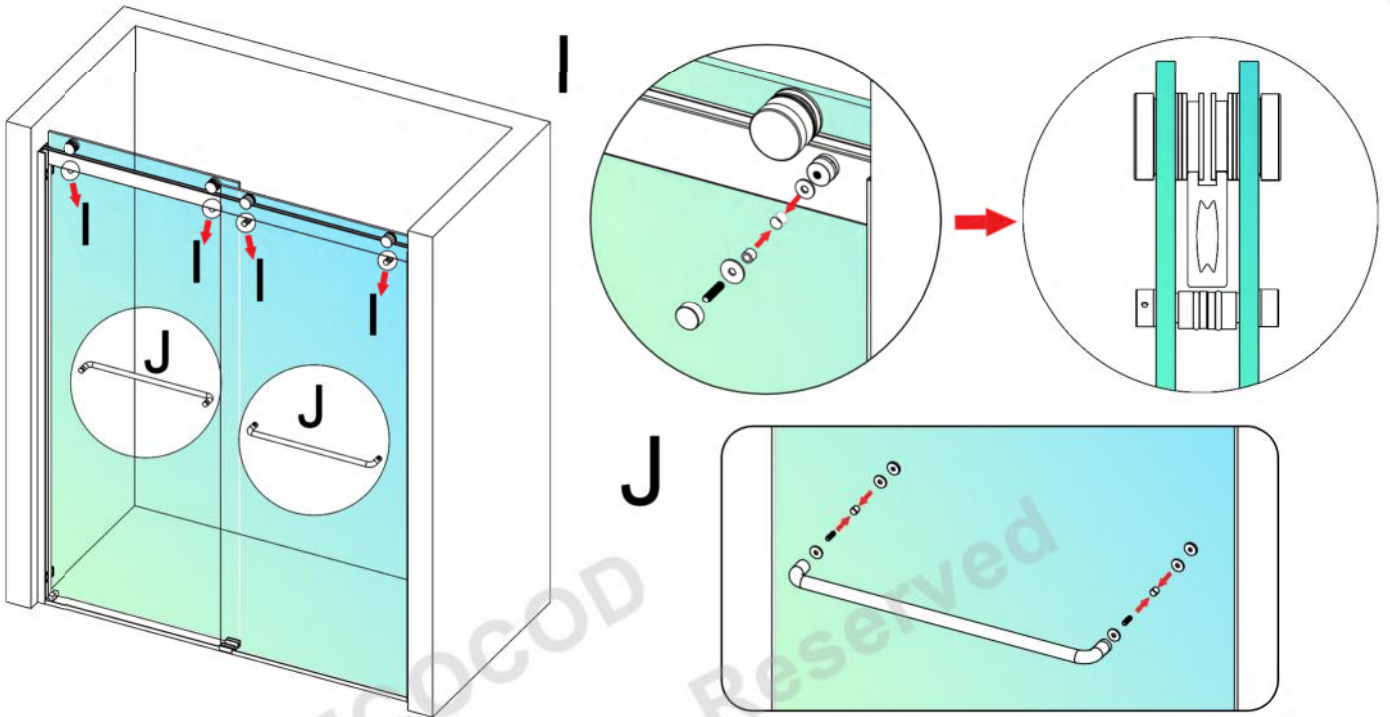
⑤ Please snap the guide block on the Anti-splash threshold at middle position, draw the point and drill holes, then re-snap the guide block on the Anti-splash threshold to install it with part 12 and 14 as shown. Finally apply mildew-resistant silicone or other glue to the bottom of the side guide blocks and install them in the corners on both sides, paying attention to the direction of side guide blocks.



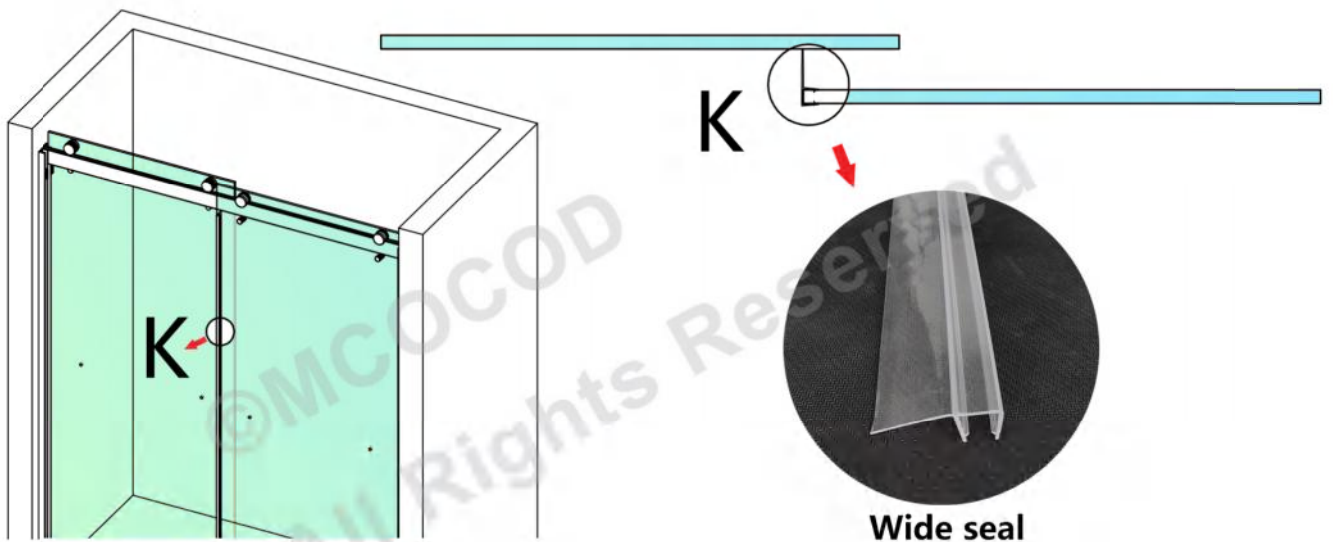
⑥ Installation of sliding glass: The two pieces of glass are identical. Unscrew the decorative cover of all the rollers and separate the rollers with Allen Key. Install the two rollers in the two holes above the glass as shown then tighten the set screws, don't miss the washer in the middle. Hang the sliding glass on the inside guide rail, then use Allen Key to loosen the roller screws a little. Use Allen Key to adjust the hole on the side of the rollers to adjust the level and height of sliding glass, make sure that sliding glass is level and then tighten the fixing screws, tighten the decorative cover of the top rollers at last. Sliding glass can be allowed to tilt a little to match non-vertical wall, and the remaining offset allows wall profile to fill in, each wall offset preferably not more than 1/2". Installation of the outer sliding glass is the same as the inner sliding glass.



Please note that to adjust the height of sliding glass, you need to make sure that the bottom of sliding glass is not touching your threshold and the groove bottom of guide block, to avoid unsmooth sliding.

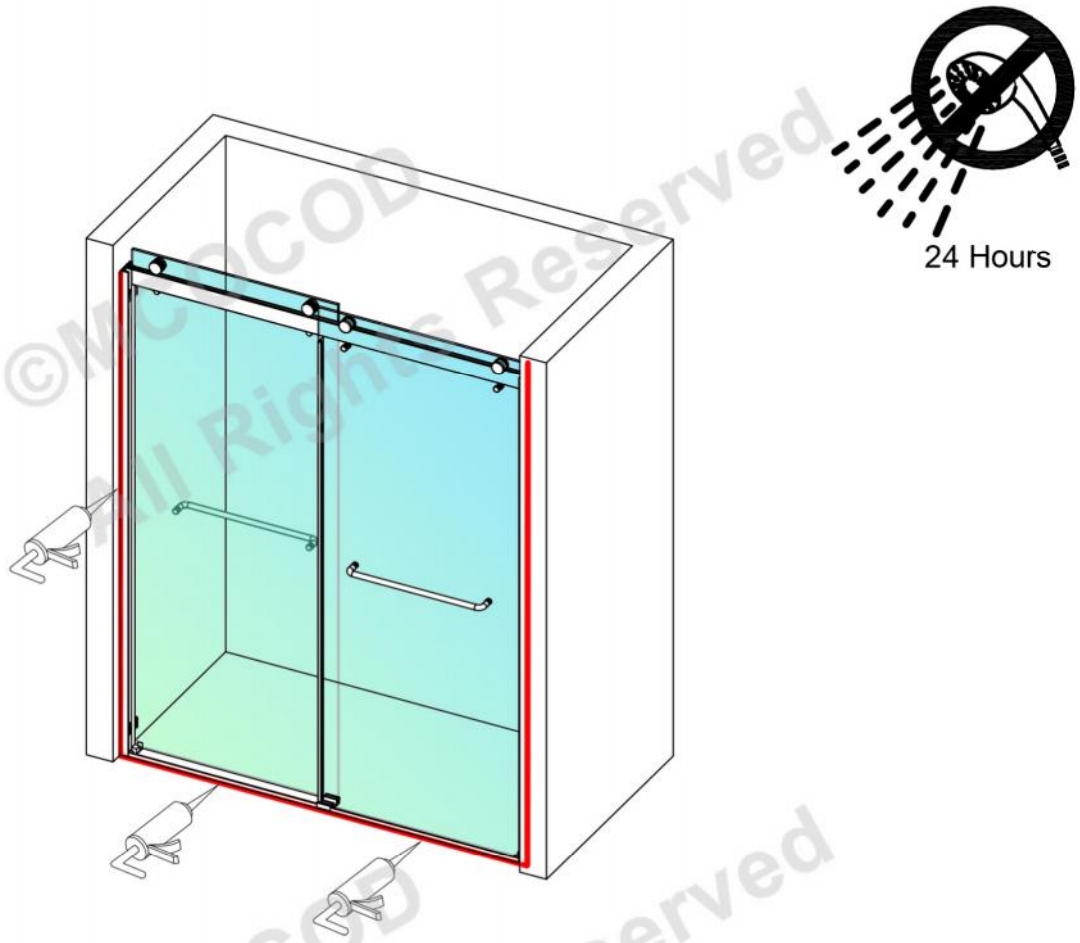


- ⑦ Installation of four Anti-jumping Knobs: Adjust the Anti-jumping Knobs on the bottom of guide rail and tighten it to fix the height. Anti-jumping Knobs are off-center knobs for easy height adjustment. Please note that don't let it touch the bottom of guide rail, need to retain a little gap to avoid sliding unsmooth and ensures glass anti-jumping at the same time. Install handles to the corresponding holes on two doors according to the illustration. Outside door handle protrude outward, inside door handle protrude inward.



- ⑧ Install the door seal as illustrated. The top of door seal needs to be lower than the anti-jumping knob to avoid scraping. All door seals should be installed starting from the bottom and working upwards. If the roller scratches against the door seal, please adjust the height of door seal or trim the top of door seal. You need to make sure that this door seal is centered when you shower. Please note that the door seal is optional. If doesn't leak when you removed it, you can choose not to have it installed, otherwise it needs to be installed. If you don't install it, please note that don't let the shower water directly wash over the middle gap of the door.

⑨ Remove two sliding glass corner protections. Check the installation stability of each part, tighten the fixing screws of each part. You can push and pull slowly to test the sliding effect. Clean up the garbage, dry the water and stains with soft cloth, then applying the mildew-resistant silicone on the side of anti-splash threshold and wall profile. Box can be discarded after installation or retained for other uses. Installation completed!



**Note: Please dry for 24 hours after the mildew-resistant silicone is applied before use.**

## PRODUCT INSPECTION BEFORE FIRST USE

- 1 Check the level and stability of guide rail.
- 2 Check whether sliding glass is vertical.
- 3 Check whether the fixing screws of rollers, wall profile and guide block are tightened.
- 4 Check whether sliding door slides smoothly.
- 5 Proper gap between Anti-jump knob and the bottom of guide rail when door slides.
- 6 Proper gap under sliding door between the threshold and guide block.
- 7 Check whether sliding glass can be closed properly and locked in the closed state.

For technical support, please contact us.

## SHOWER DOOR MAINTENANCE AND CARE

- 1 Shower door glass is double-sided easy-clean glass. For daily cleaning using moist soft cloth to wipe away surface water and stains, reduce the use of cleaning agents to extend the easy-clean performance. We recommend cleaning the hardware at least once a week and cleaning the glass daily after showering. It's best to use damp, soft cloth and silicone squeegee, or you can use some neutral, mild detergent. Remove the door seals allows you clean the glass overlap area.
- 2 Do not use any sharp cleaning tools or cleaning agents with abrasive ingredients to clean the glass. Do not use abrasive cleaners or cleaning products that contain ammonia, bleach or acids. If accidentally used, rinse the surface ASAP. Long-term use of corrosive cleaners will cause discoloration or spots of the hardware. Reducing the use of cleaners will prolong the use of the hardware&glass appearance. You can use small amount of anhydrous ethanol or Neutral Mild Cleaner to clean stubborn water stains or calculus on the hardware.
- 3 Do not let the shower water directly wash the bottom of sliding door, otherwise it may result in water splashing out of the bottom of sliding door.

**PLEASE NOTE:** In order to prolong the life of your door, please check the glass and all hardware regularly for shifting/damage/difficulty sliding/noisy sliding, to void incorrect operation during the installation process to affect the subsequent use and cause damage. If you have any questions or concerns, please contact us.

# TROUBLESHOOTING GUIDE AND NOTE

If not installed correctly, the following issues may arise.

## Shower doors don't close tightly issues:

**Q:** When I close the door, the door closes then backs out and never closes tight. How should I do?

**A:** First please check that the Anti-collision Blocks are installed on both sides, they will hold sliding glass in place when closing the door to keep closing. Then use a level to check your guide rail and glass level status, if not installed level, you can adjust the top rollers to adjust the sliding glass level and height. Even if your guide rail is a little tilted, Anti-collision Block will help to complete the closing action and hold the sliding glass, if guide rail is tilted severely, you may need to re-drill.

## Shower door leaking issues:

**Q1:** Water leaks in the middle of the two doors, how should I do?

**A1:** Please swap the wide door seal to the middle when you shower, so that the middle will not leak.

**Q2:** The bottom of the inner door leaks, how should I do?

**A2:** Please confirm the anti-splash threshold silicone seals well without leaking, then following adjustment may need to be done.

1. Adjust the angle of the shower head, avoid the shower water directly wash the bottom of the sliding glass.
2. You can swap the left and right position of the two doors if it's possible.
3. After completing steps 1 and 2, if the bottom of the sliding glass is still leaking you can adjust the height of the top rollers to reduce the glass height a little. Complete these 3 steps would solve the issues, if there still leak please contact customer service for support.

Before adjusting the height and level of sliding glass, we recommended to adjust the height of Anti-jumping Knobs to avoid affecting the adjustment of top rollers. Adjustments completed and then restore Anti-jumping Knobs.

## **Info about Glass:**

**Treated with Enduro Shield.on both sides**

**Low-iron Tempered Safety Glass**

**16 CFR 1201**

**CAN/CGSB 12.1-2017**

**ANSI Z97.1-2015**

**3/8"UA SGCC**

**NOTE:**The black/white lettering on the corner of the glass is the certification name, which is mandatory printing.

**Thank you!**

## **Customer Service:**

**470-926-8618**

**321-946-6293**

## **Return Address:**

- **4800 Little John St.  
Baldwin Park, CA 91706**

**Please contact our customer service to get replacement or confirm the return steps before returning.**