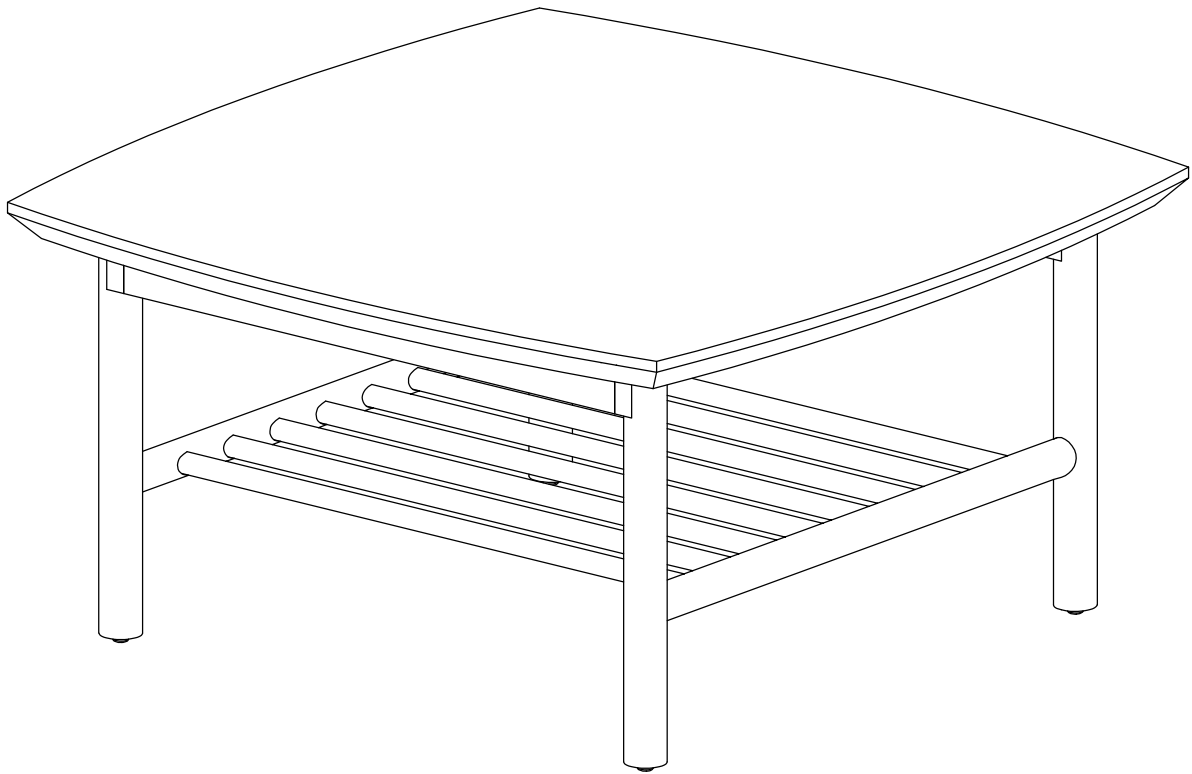


Assembly Instructions

SQUARE COFFEE TABLE



SQUARE COFFEE TABLE

ASSEMBLY INSTRUCTIONS

Please kindly read these instructions carefully and keep for future reference. Refer to parts inventory for guidance, and ensure you have all pieces before starting.

When assembling, place all parts on a soft, clean, and flat surface such as a carpet to prevent scratches.

If you're having difficulty, our friendly Customer Care team is always here to help.

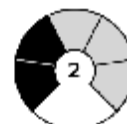


15 min

TIME

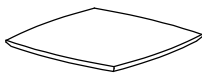

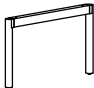








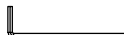
4 OF PEOPLE



2

DIFFICULTY

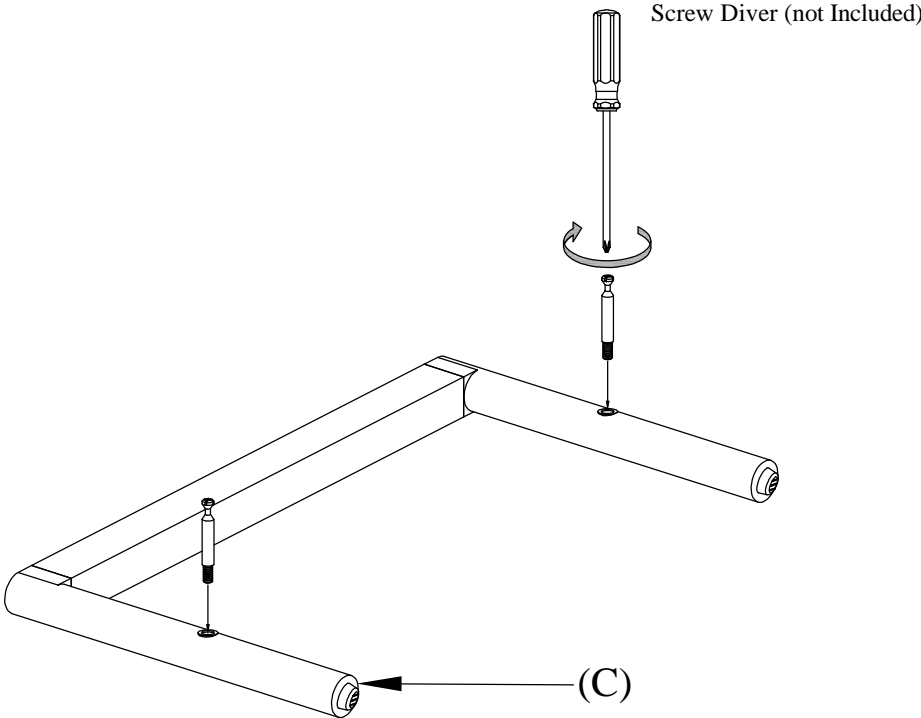
PART LIST		
ID	DESCRIPTION	QTY
(A)	 Top	1 pc
(B)	 Frame	1 pc
(C)	 Legs	2 pcs

HARDWARE LIST		
	Three in one connector screw	4 pcs
		
		
	Bolt M8x60	4 pcs
	Spring Washer Ø8.5xØ19	4 pcs
	Flat Washer Ø8.5xØ12	4 pcs
	Allen Key	1 pc

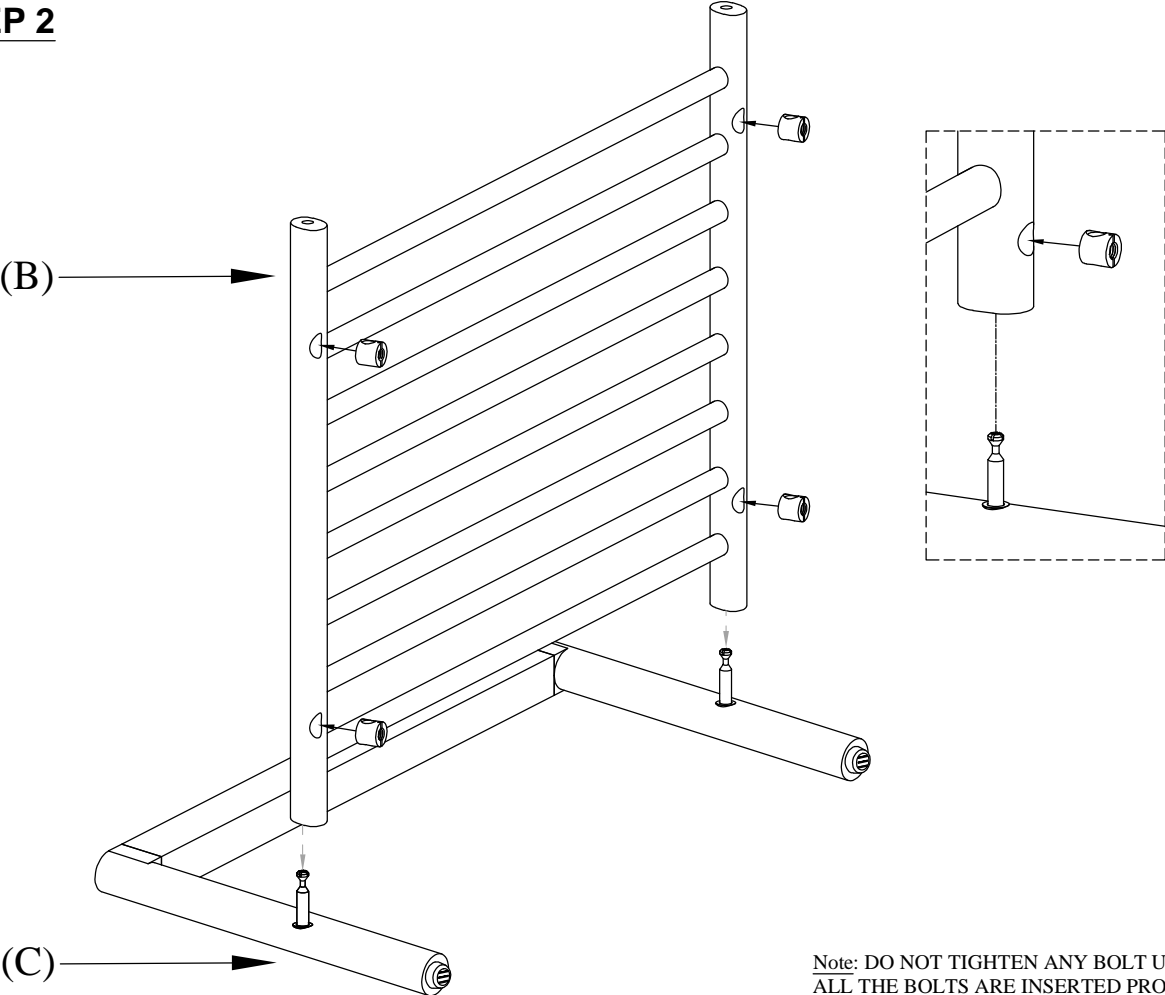
Note: Make sure you have all the parts and hardware with quantity listed above before assembling the product. A screwdriver is also required (not included)

SQUARE COFFEE TABLE

STEP 1

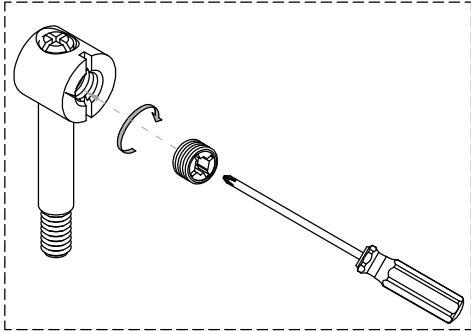
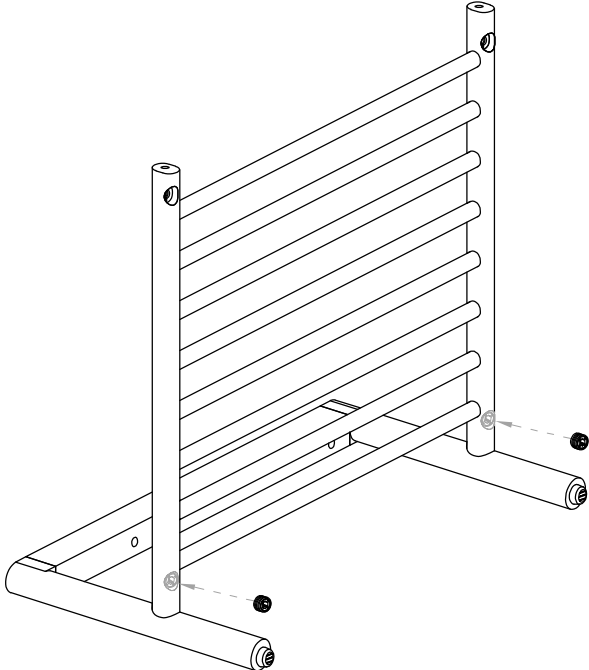


STEP 2



SQUARE COFFEE TABLE

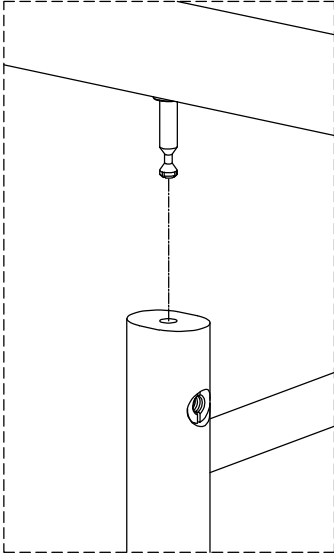
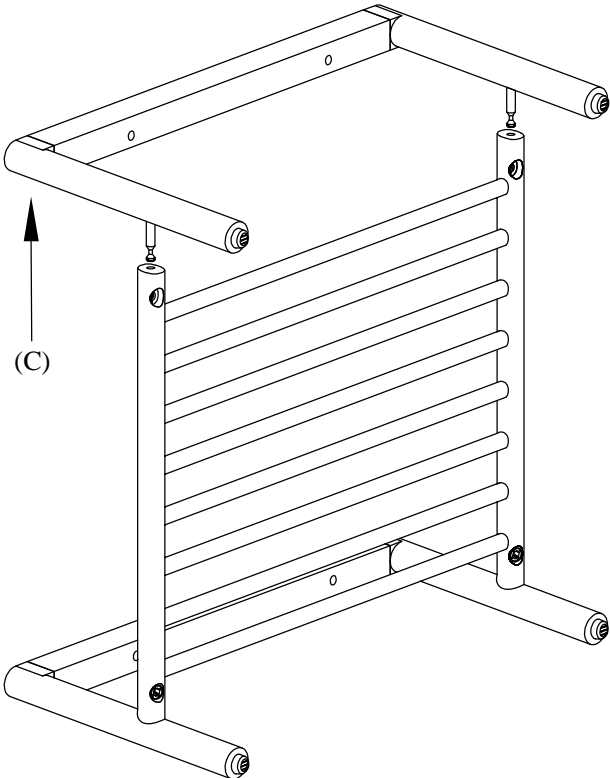
STEP 3



(x2)

Note: DO NOT TIGHTEN ANY BOLT UNTIL ALL THE BOLTS ARE INSERTED PROPERLY

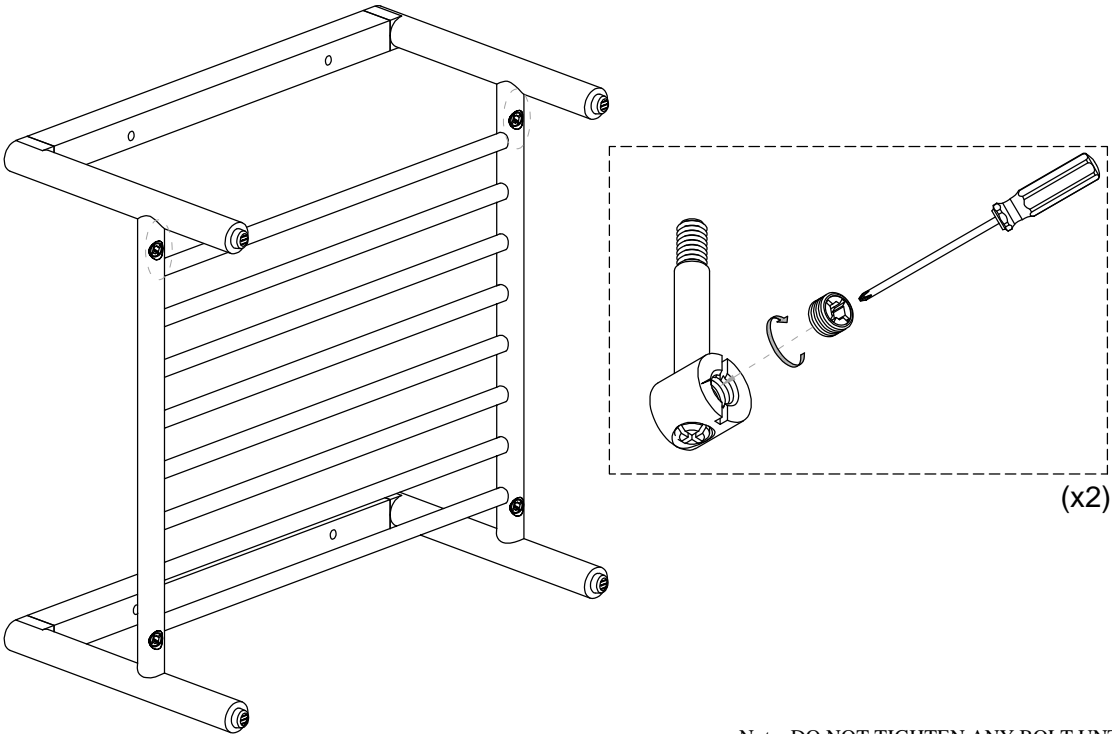
STEP 4



Note: DO NOT TIGHTEN ANY BOLT UNTIL ALL THE BOLTS ARE INSERTED PROPERLY

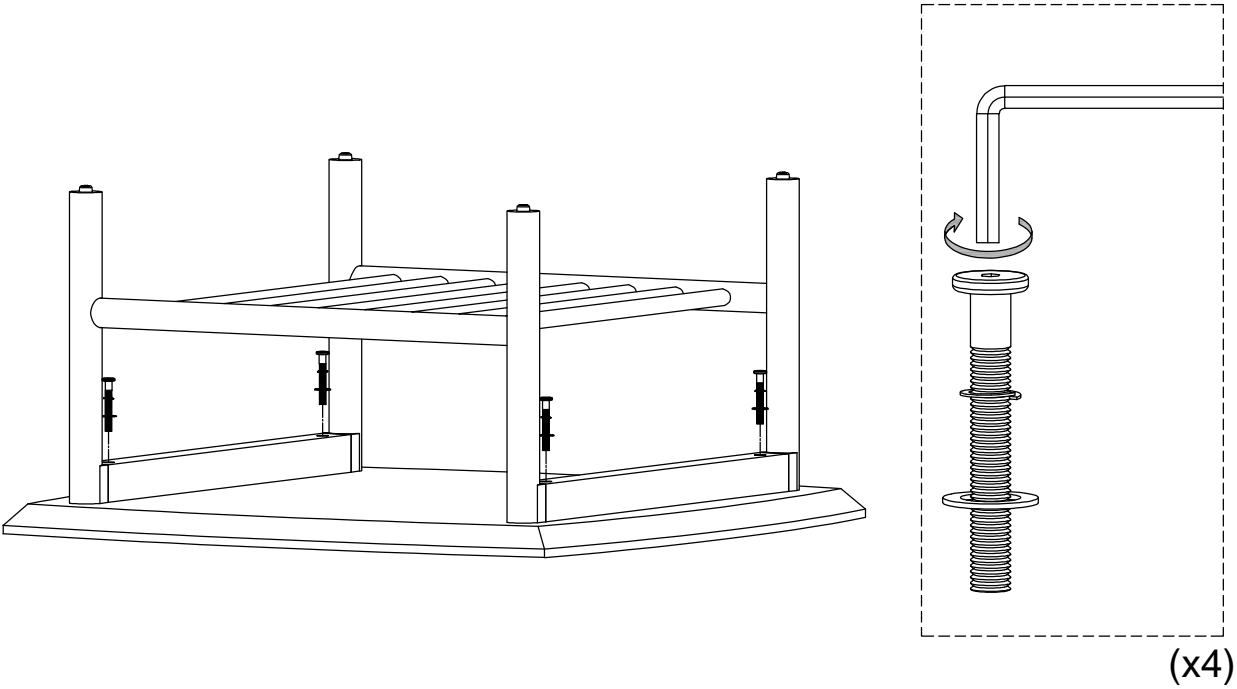
SQUARE COFFEE TABLE

STEP 5



Note: DO NOT TIGHTEN ANY BOLT UNTIL ALL THE BOLTS ARE INSERTED PROPERLY

STEP 6



Note: TIGHTEN ALL THE BOLTS

SQUARE COFFEE TABLE

STEP 7
FINISHED

