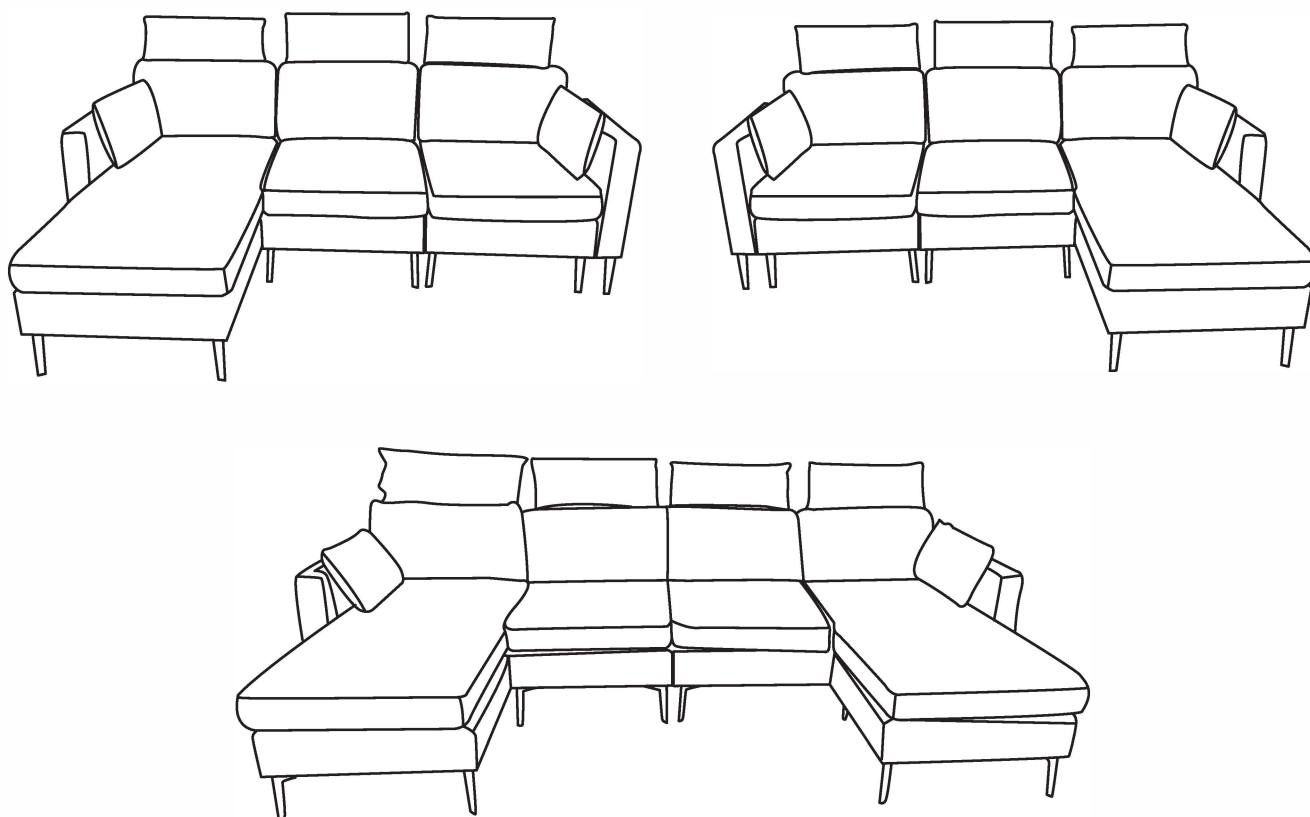


# Assembly Instructions



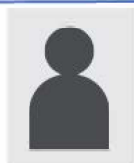
---

**NOTE:** Please read these instructions carefully before starting assembly

---

## HASSEL-FREE WARRANTY

We proudly provide 1-YEAR warranty, if there are any questions with the products, please feel free to contact with us.



The assembly will be easier with 2 people while 1 person could also do the job.



**Around 10 MIN ASSEMBLY**

---

# MAINTAINANCE AND WARNING

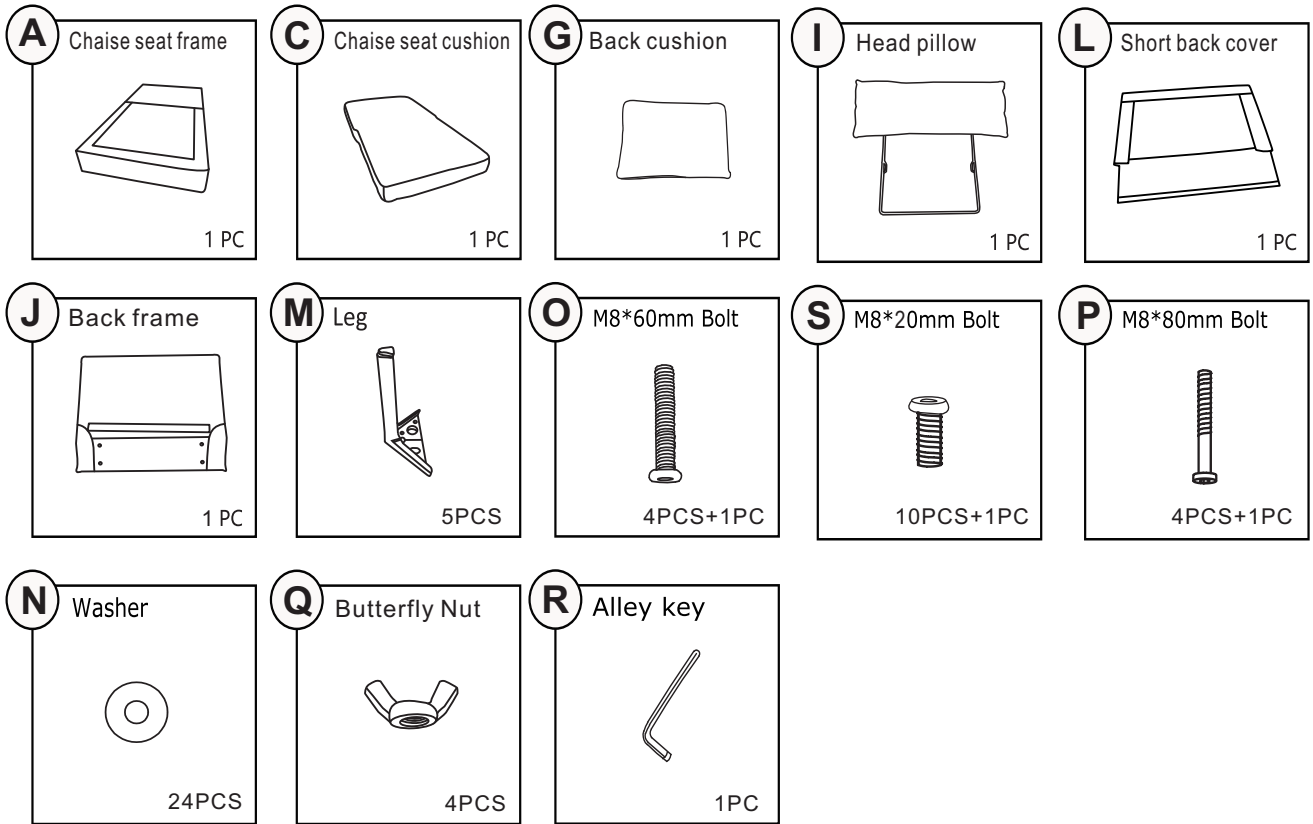
- Keep furniture away from heat sources.
- Avoid cleaning with harsh cleaners or polishes and refrain from using detergents, solvents, abrasives, spray cans or leather cleaners. Instead, use a non-colour, mild soap with warm water to clean up spills (mix 1:10 soap to water).
- Do not place furniture under direct sunlight as the material may fade over time.
- Do not use on-site dry Cleaning machine.
- Children should not climb or jump on the furniture.
- Do not write on furniture that is not protected by a padded barrier .



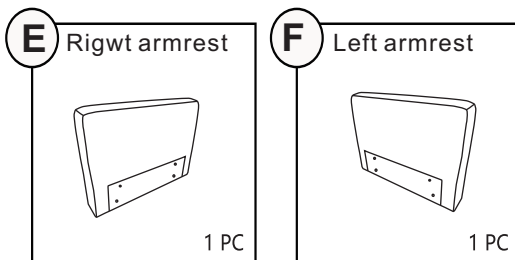
Max Capacity

**250LBS**

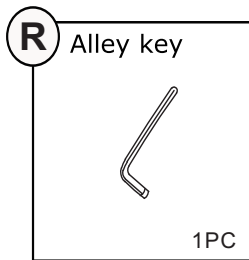
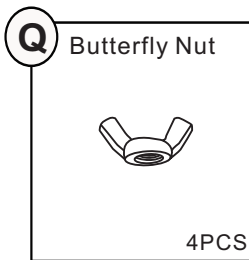
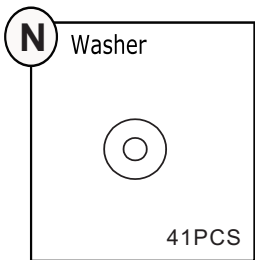
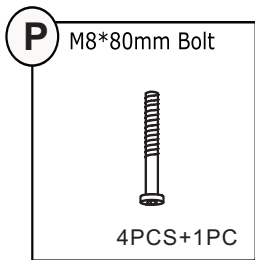
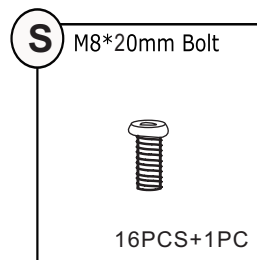
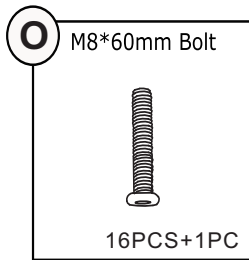
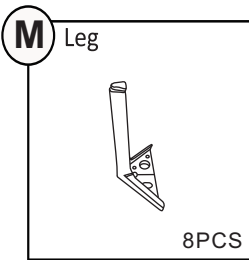
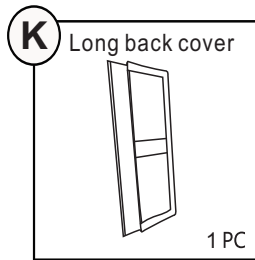
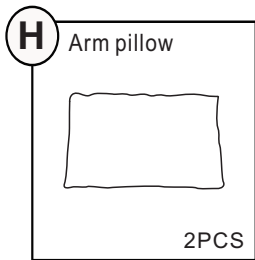
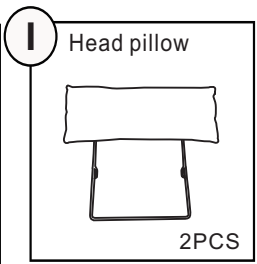
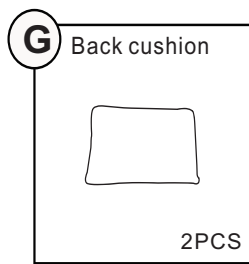
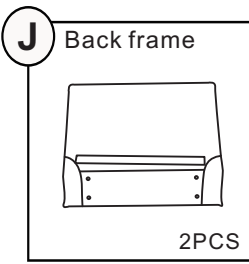
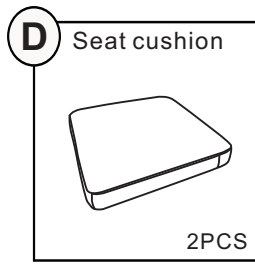
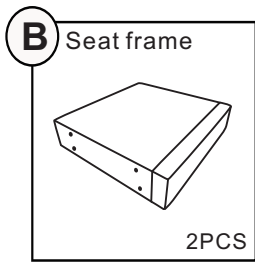
---

**1**

---

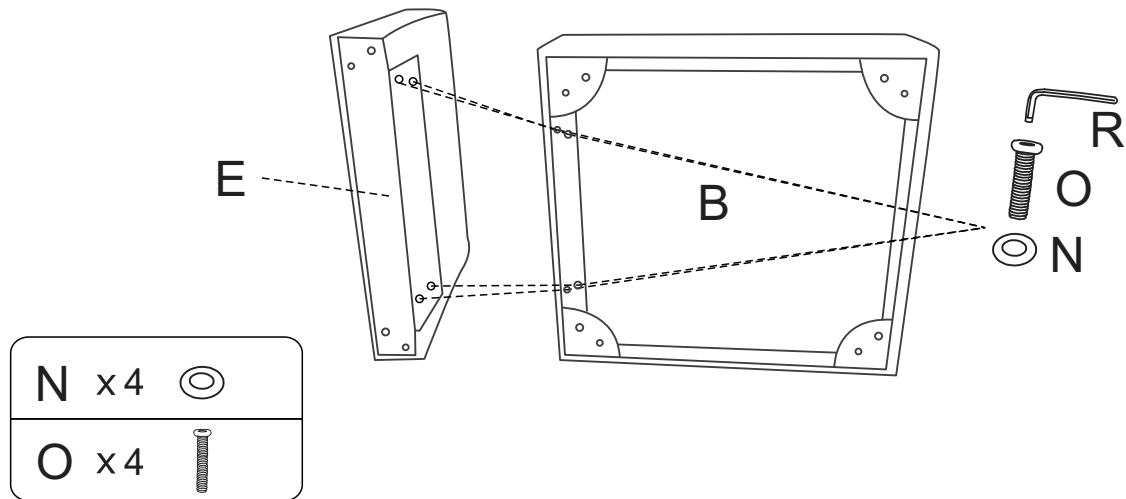
**2**

**3**

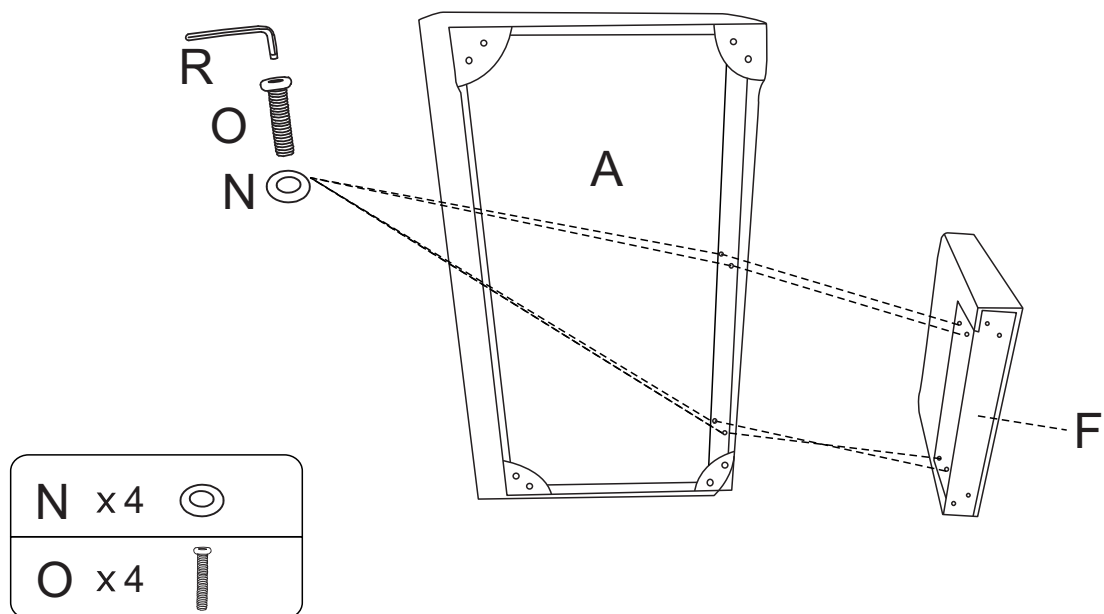


# ASSEMBLY INSTRUCTIONS

STEP 1: Connet Left armrest (E) & Seat Frame (B) with Bolts (O) and Washers(N).

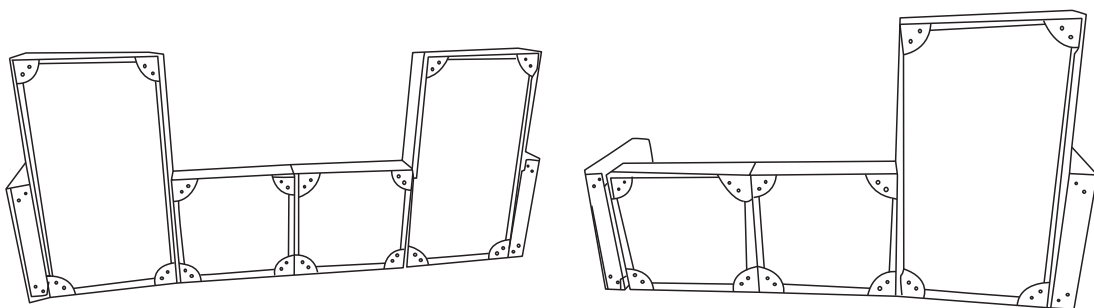
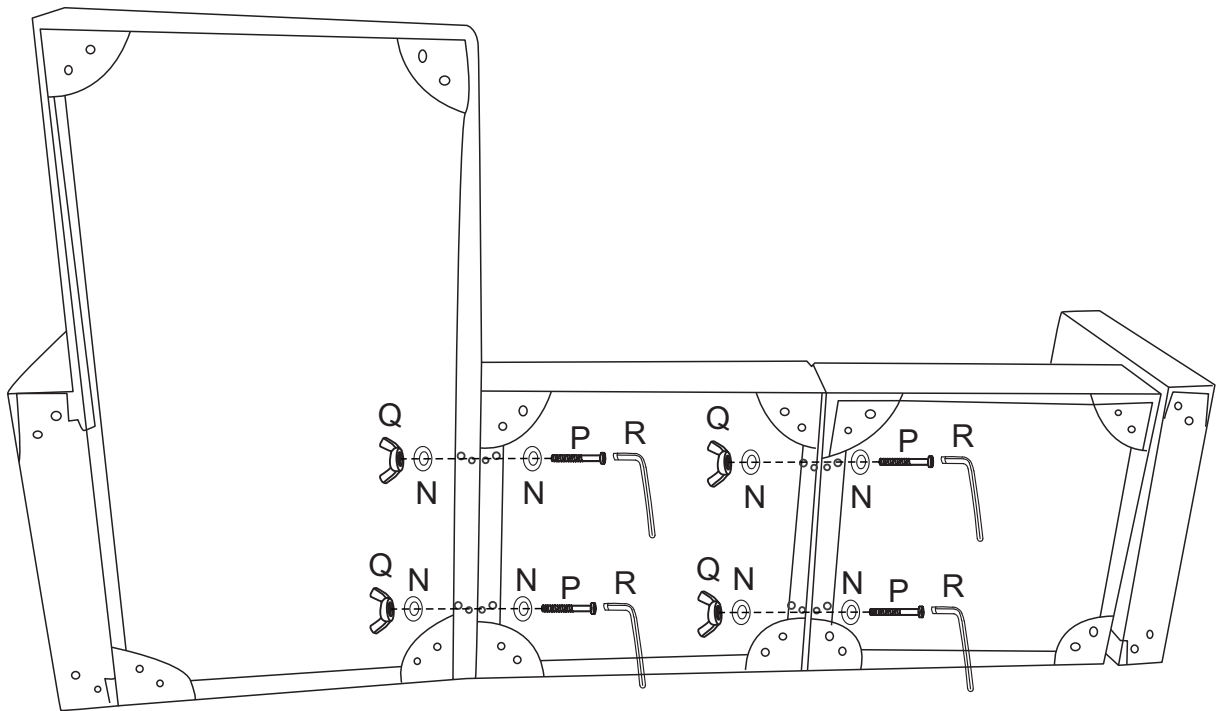





STEP 2: Connet Right armrest (F) & Chaise seat Frame (A) with Bolts (O) and Washers(N).



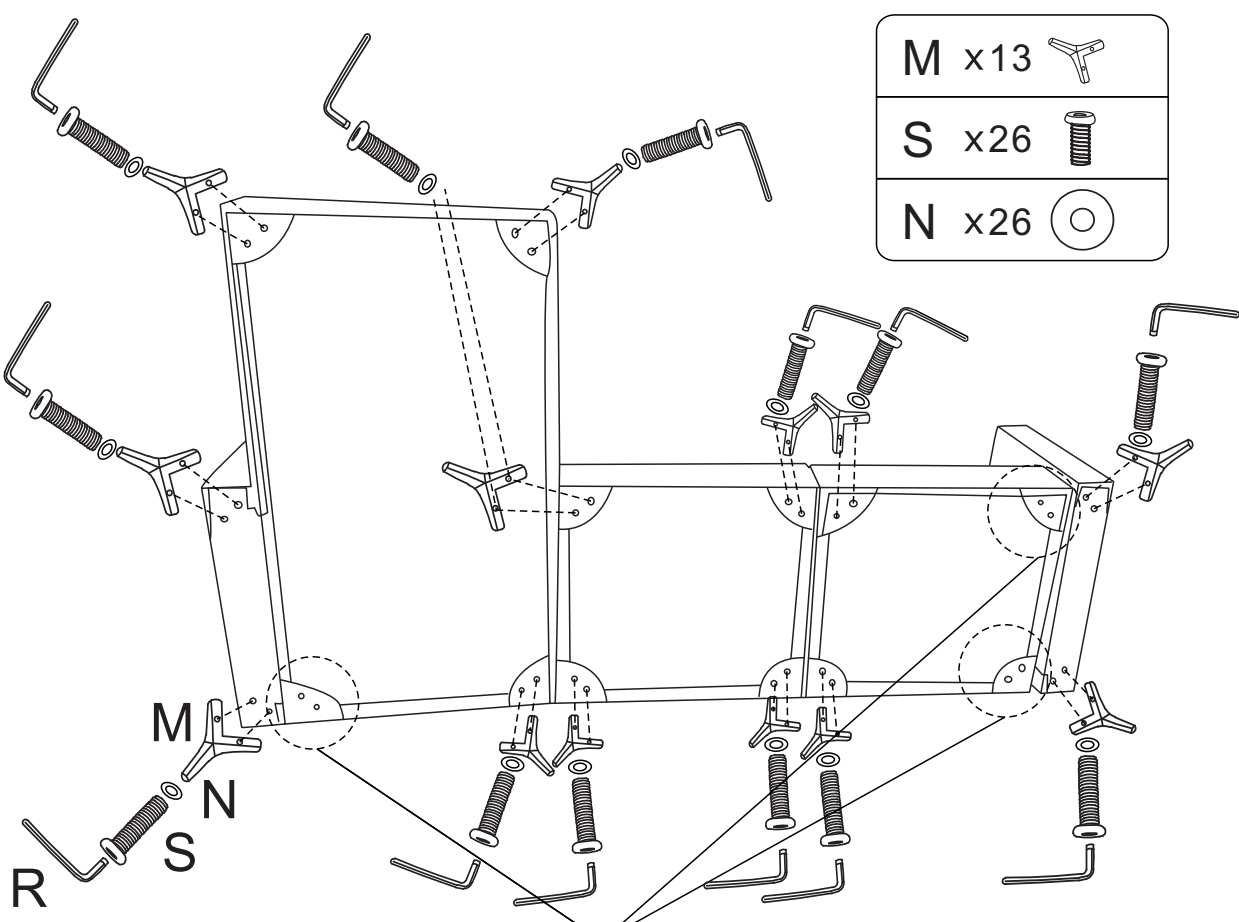
**STEP 3 : Connet Chaise seat Frame (A) and Seat frame (B) & (B) with Bolts (P) , Washers(N) and Butterfly nuts (Q) .**

If you buy a multi-seater sofa, the assembly process is the same as for the sofa.



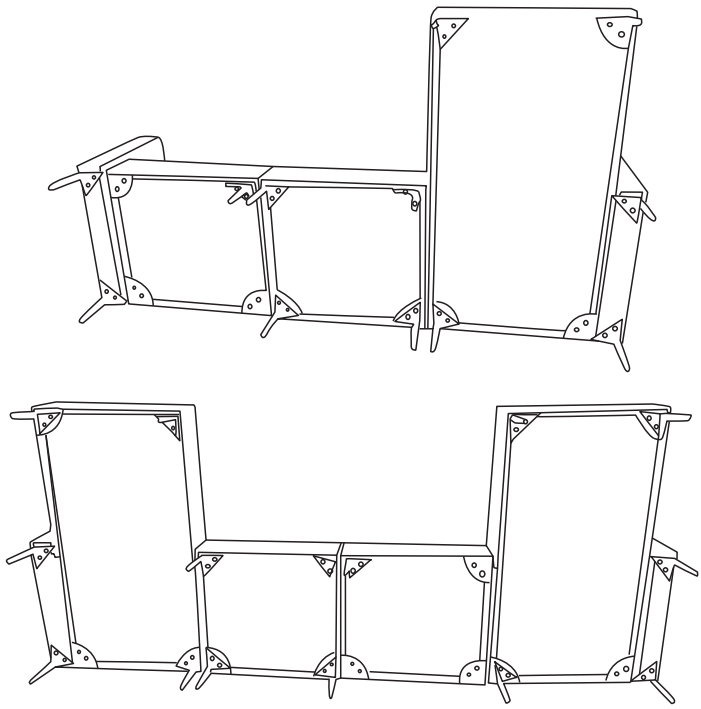
<b>P</b> x8	
<b>Q</b> x8	
<b>N</b> x16	

STEP 4: Assemble the sofa Legs (M) with bolts (S).

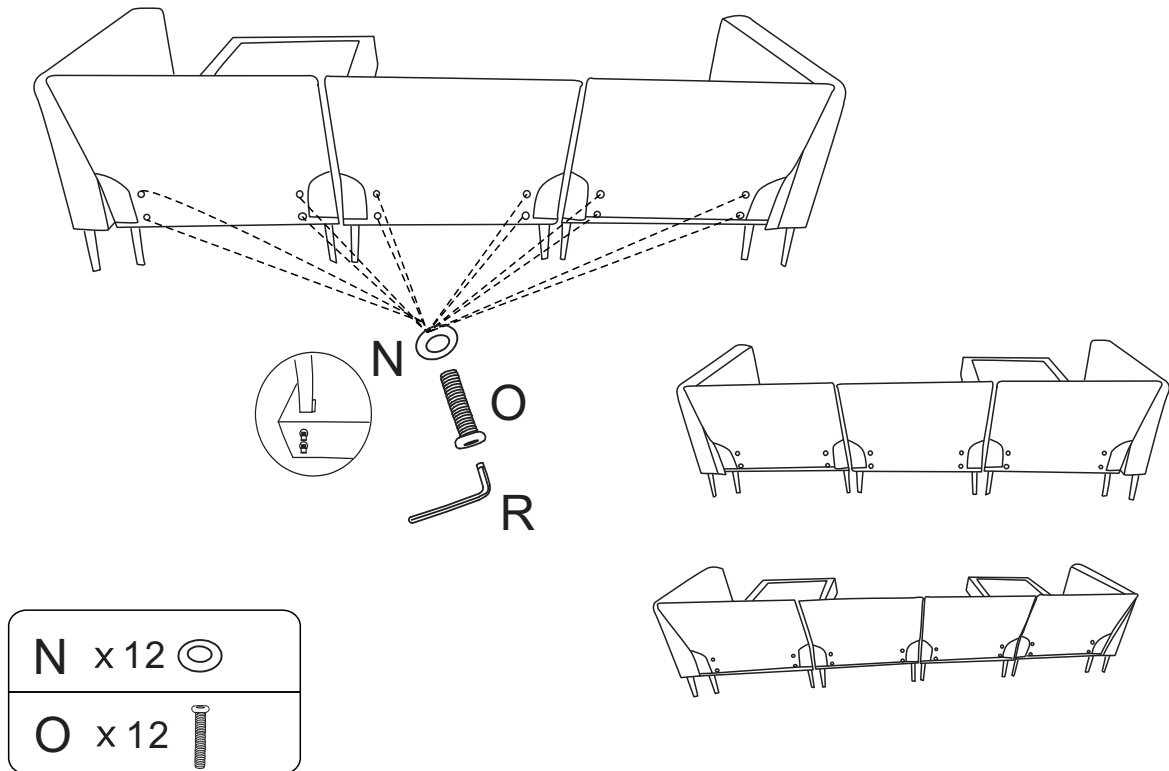


- |       |  |
|-------|--|
| M x13 |  |
| S x26 |  |
| N x26 |  |

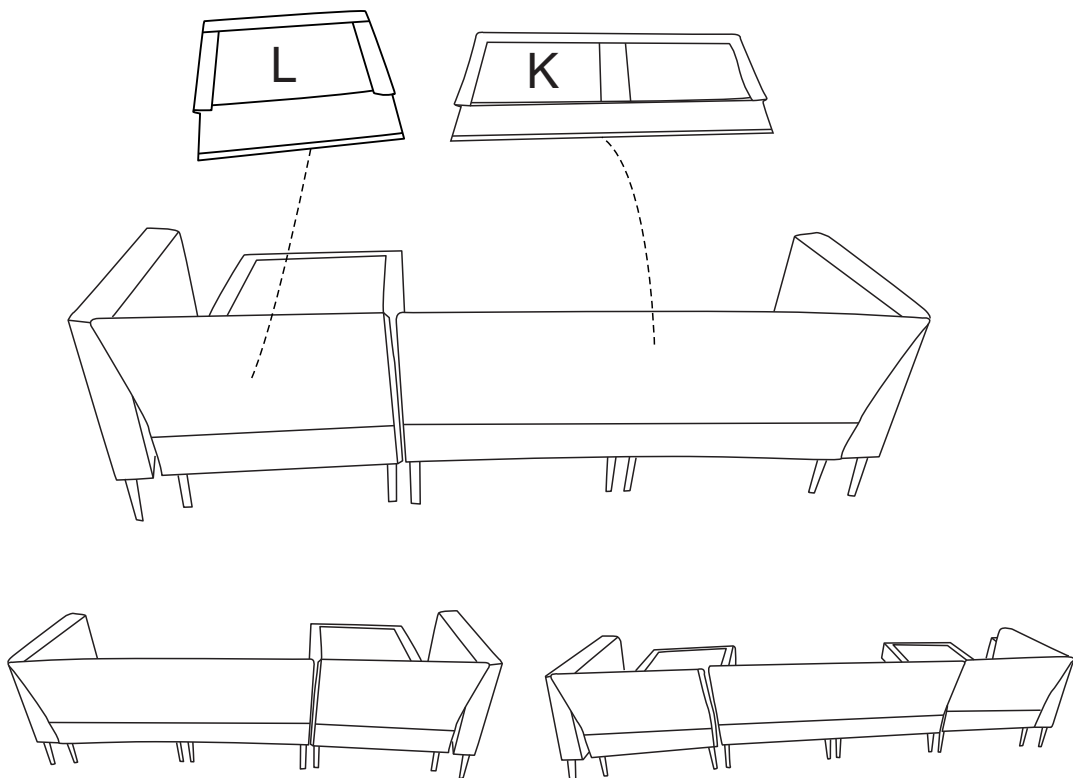
Tip: Don't need to assemble leg here.



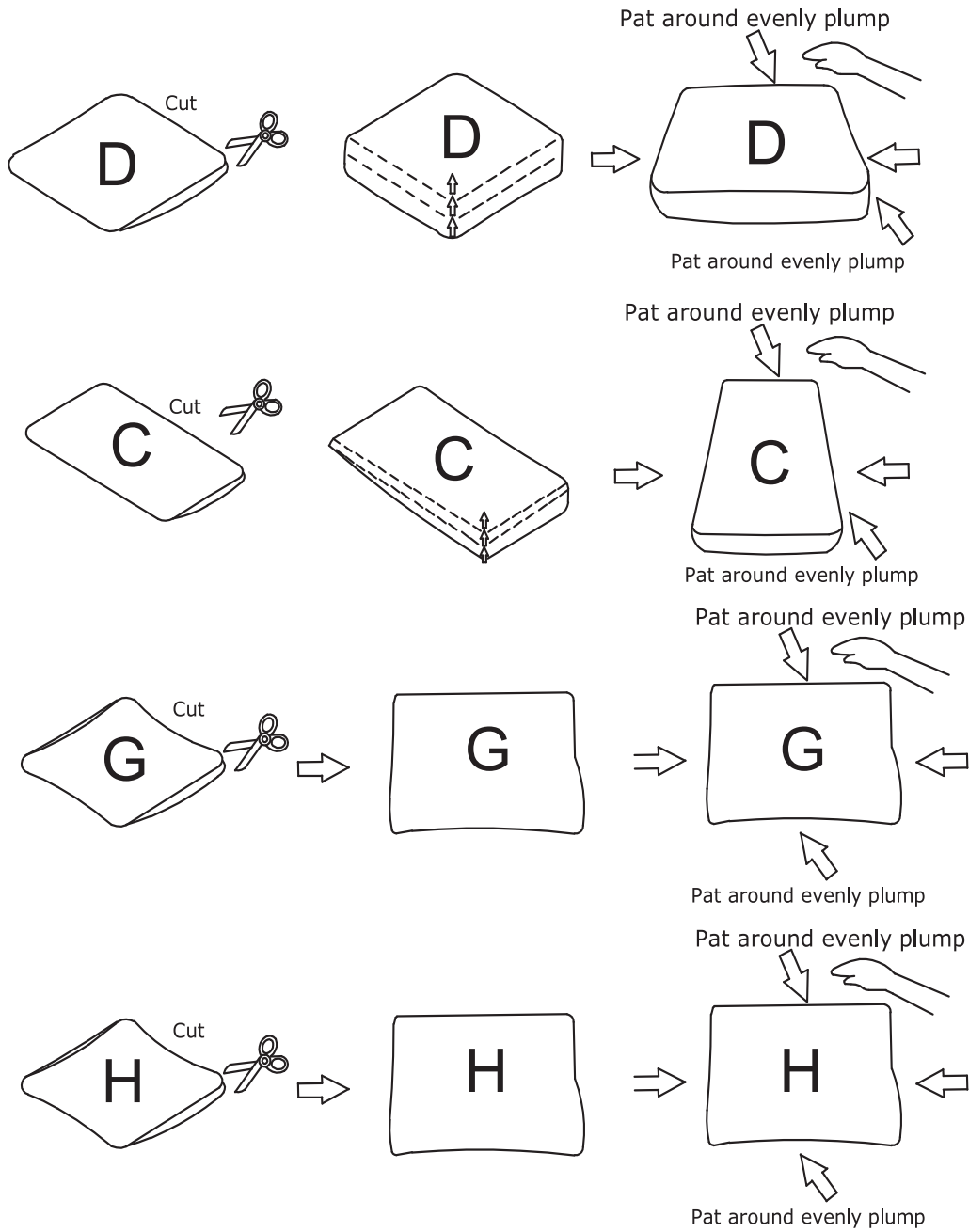
STEP 5: Assemble the Back frame (J) with Bolts (O) and Washers(N).



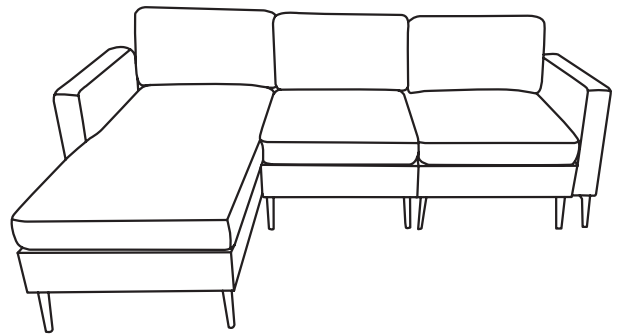
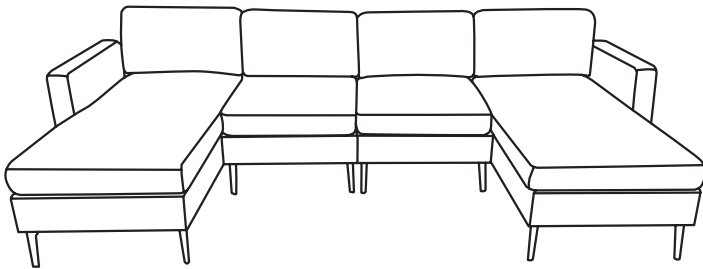
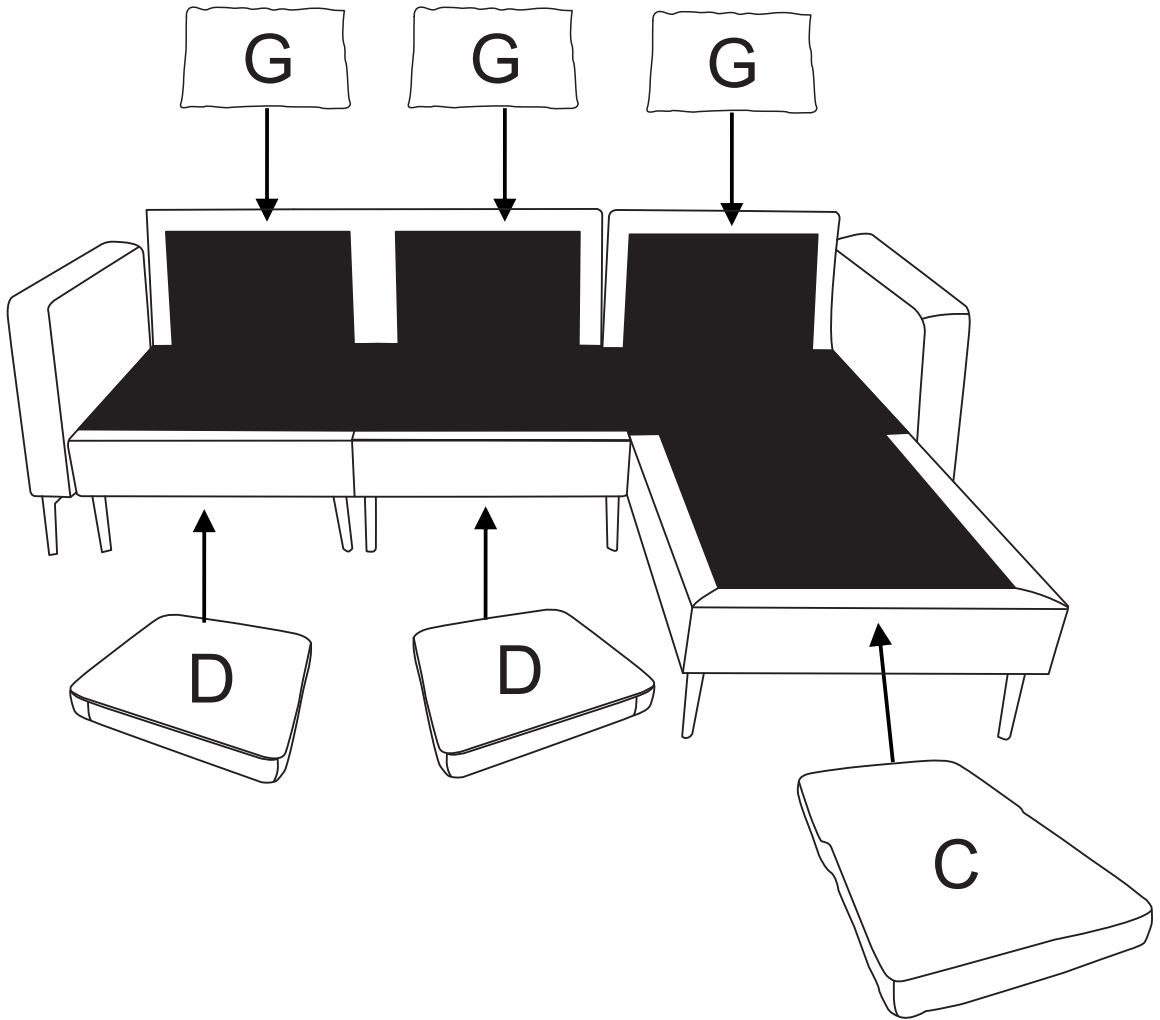
STEP 6: Please put the back cover (K&L) on the sofa. Velcro sticks to each other.



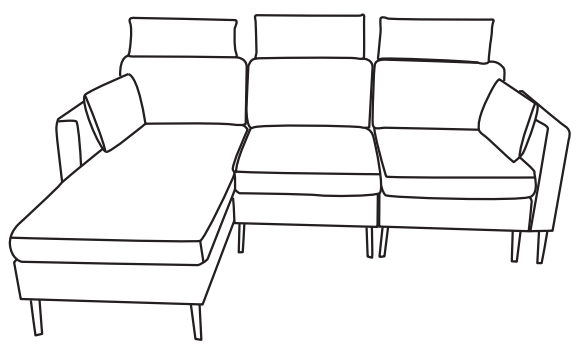
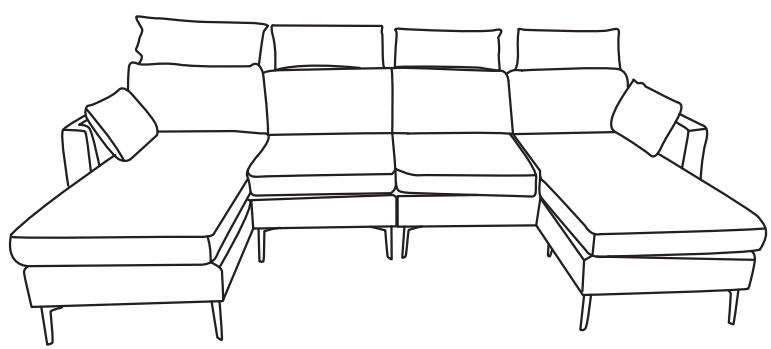
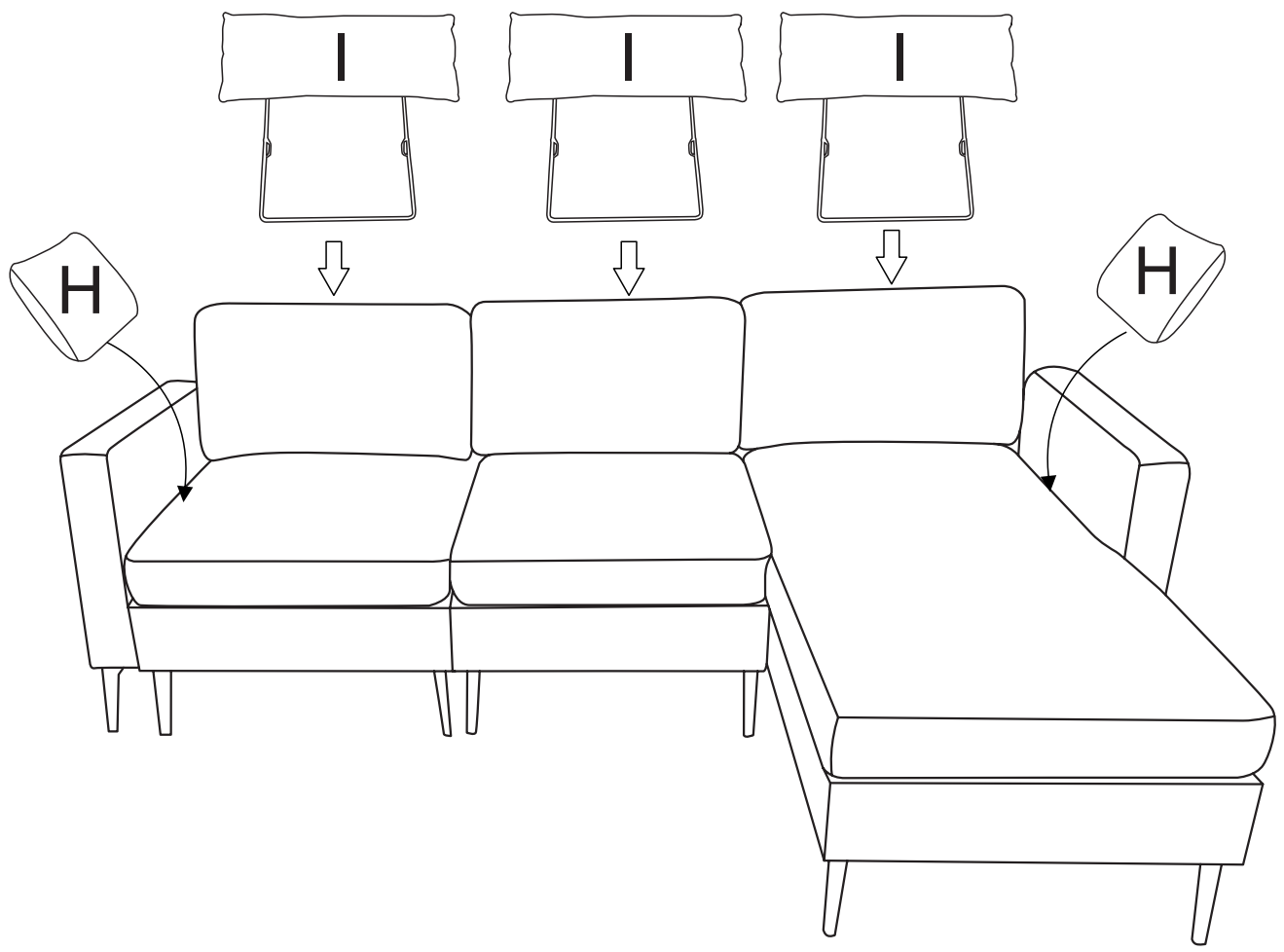
**STEP 7 :** The cushion is packaged by vacuum compression .After cutting the package, it rebounds quickly within 60s.If the fabric has wrinkles,it will basically disappear after standing for 72 hours.



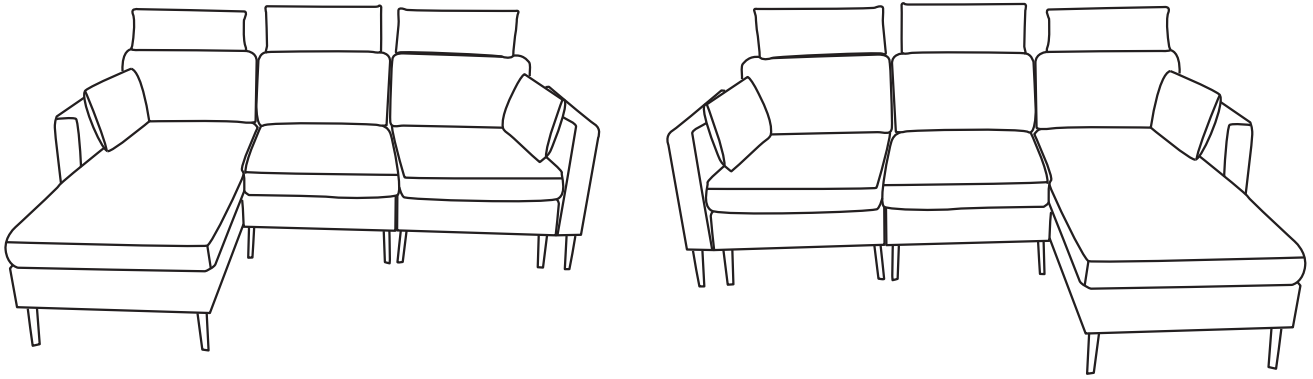
STEP 8 : Place the seat cushions and the back cushions on the sofa.



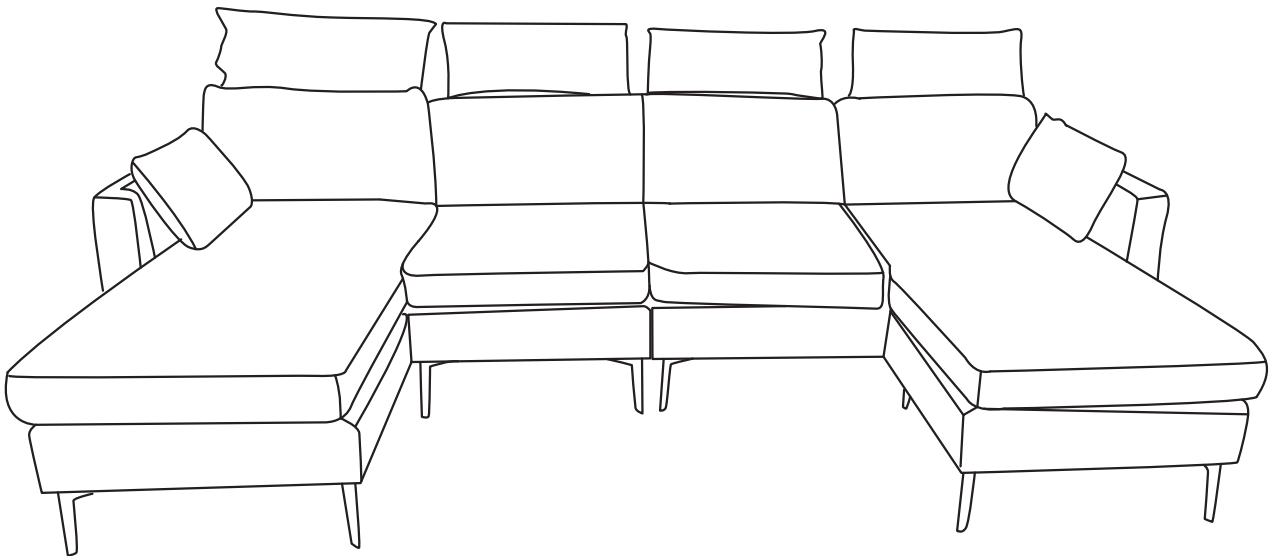
STEP 9: Place the seat cushions and the back cushions on the sofa.



1&2&3



1&2&3&3



Complete assembly

# **WARRANTY**

We strive to offer high-quality products, and we also try our best to satisfy each customer that orders from us with product or service as needed. We provide 1 year warranty starting from the time you receive the item. Each customer must provide a record of their order such as the order number or item receipt.

For any items that are out of the warranty period you may also still receive replacement parts by purchasing them with our company if they are available.

**Are you having difficulty  
with assembly? Missing parts?**

**Please send email with your order No**

**For return, please check the return policy with  
the retailer or market place you bought from.**

**Appreciate your purchasing from us.**

**Pop up your life by our furniture piece!**