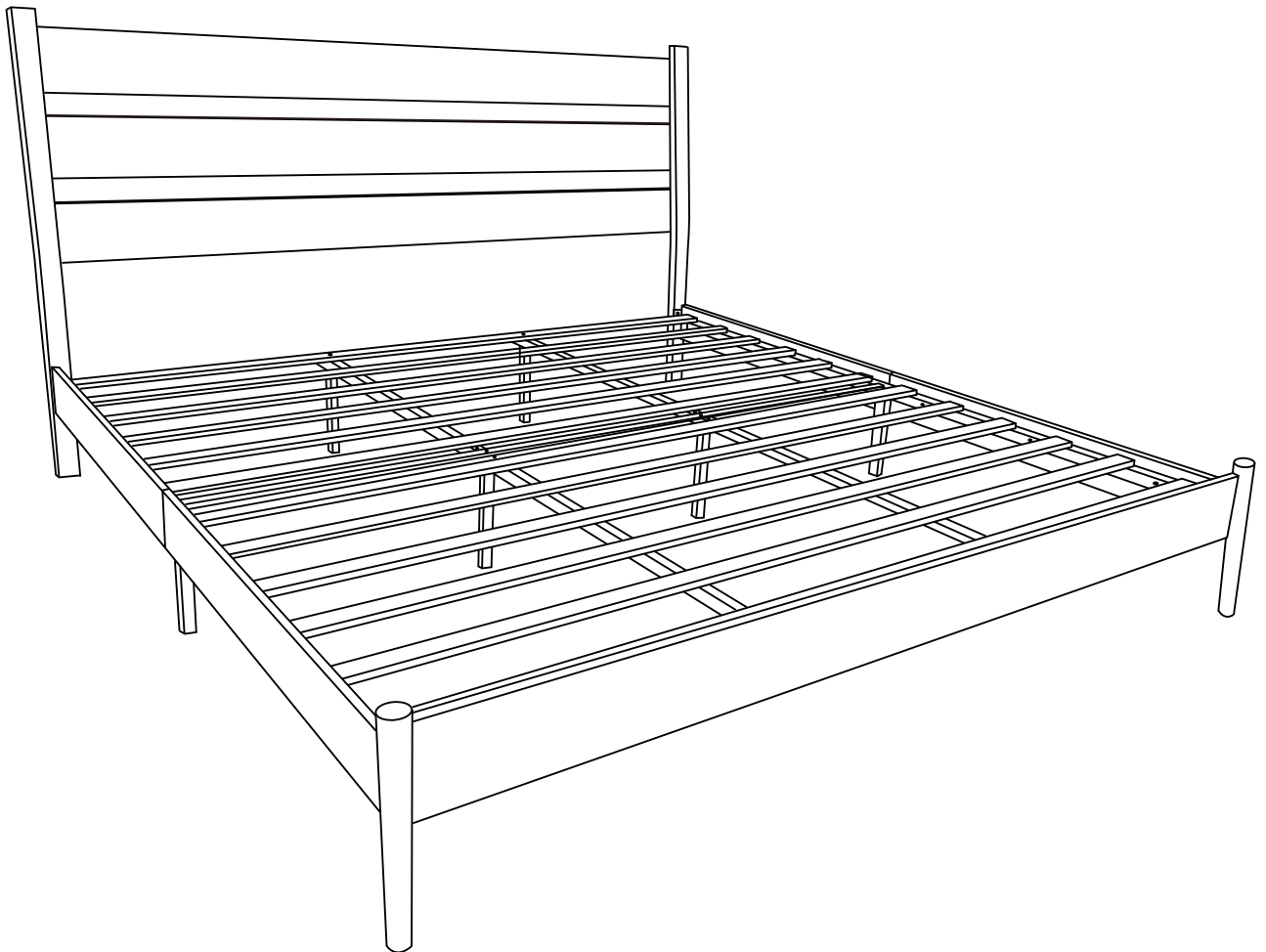


Wood Platform Bed

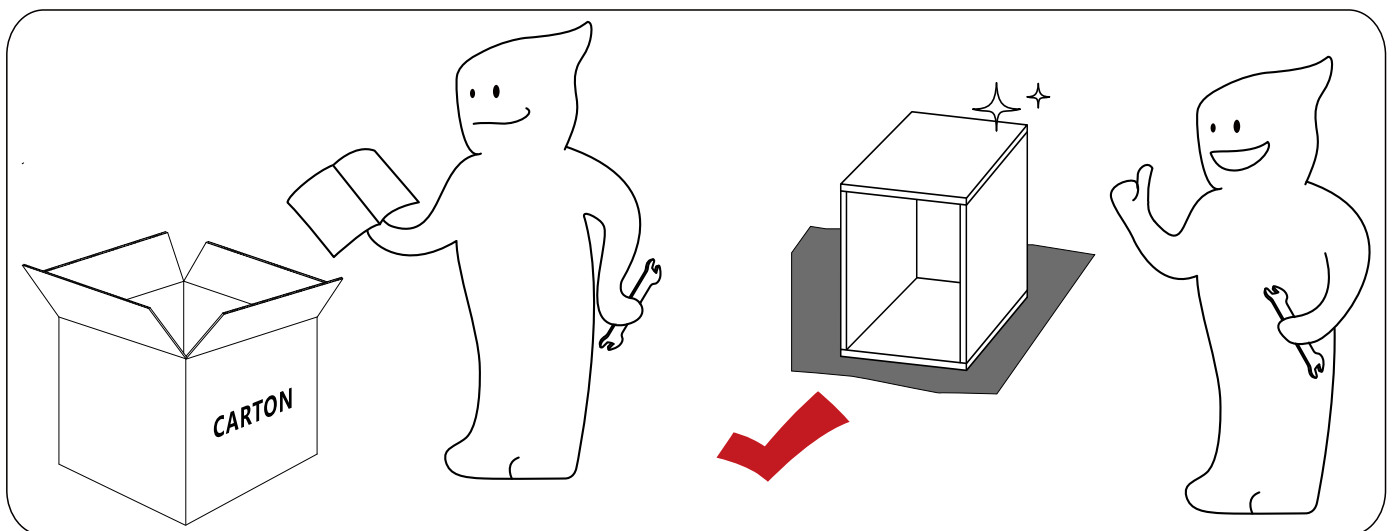
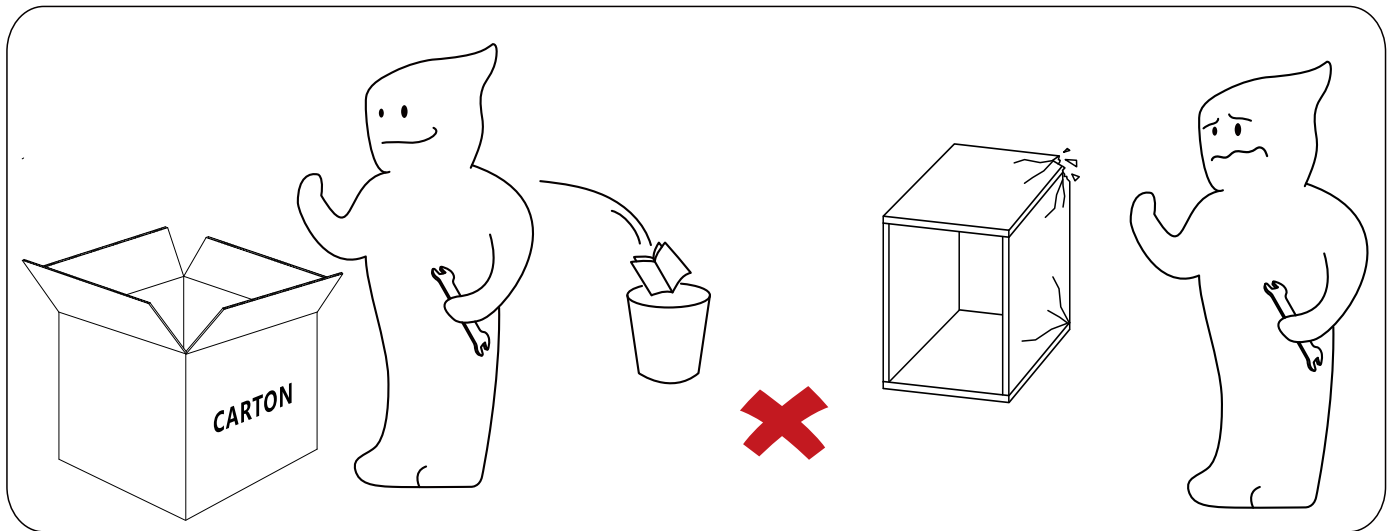


Dear Customers,

Thank you for purchasing our product. Please read this instruction manual carefully after receiving this product. It will help you assemble this product quickly, safely and correctly. You can keep this manual for future reference.

! IMPORTANT

Please follow the instruction manuals and use a pad to protect the product during your assembly.



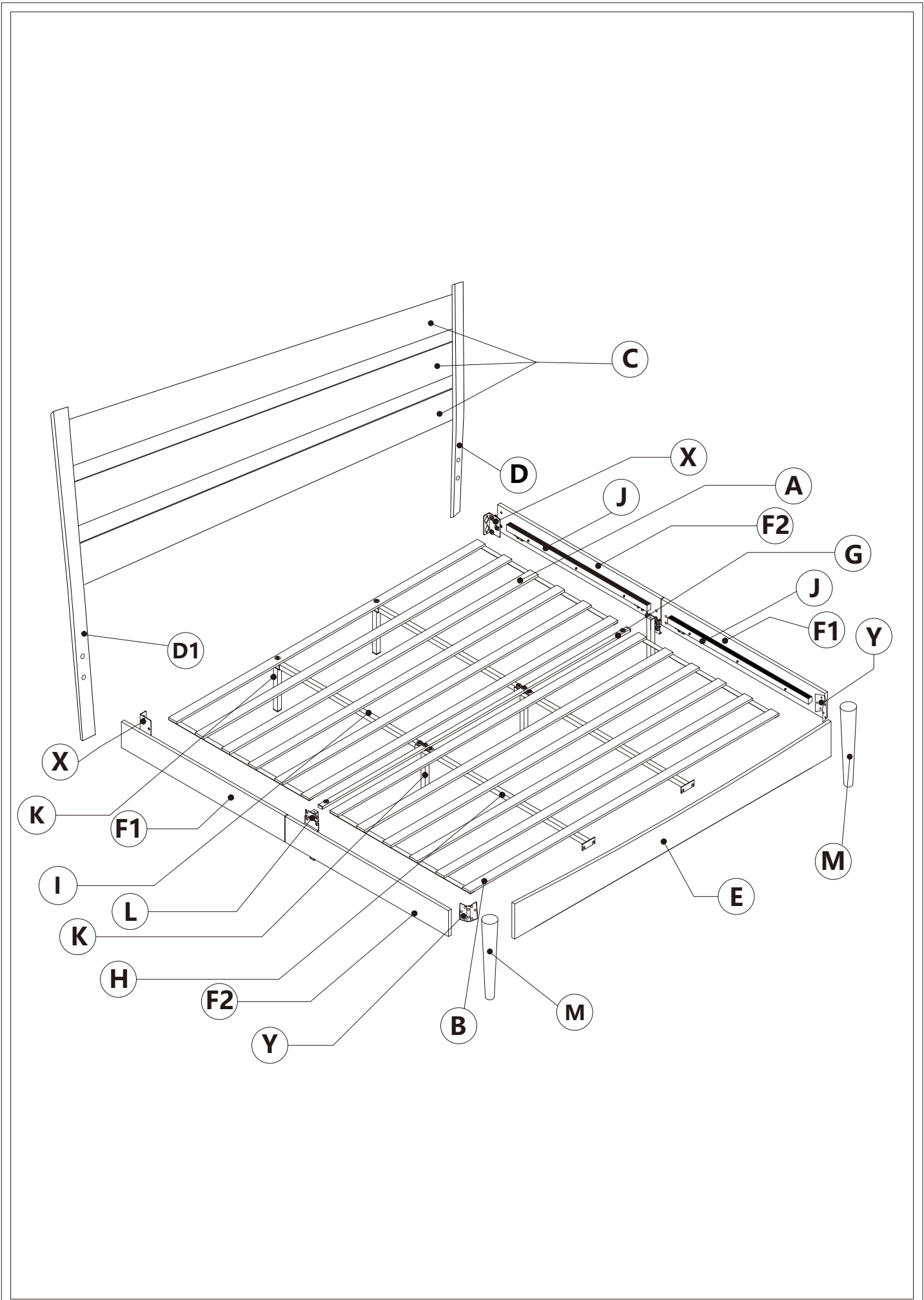
Note:

- 1. Should be assembled on flat ground to keep balance.**
- 2. Before completing the installation, do not tighten the screws.**

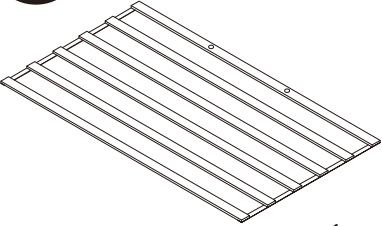
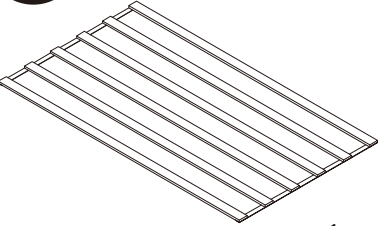

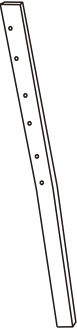
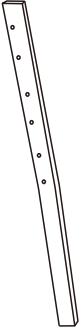
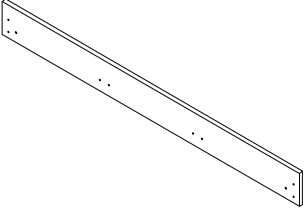
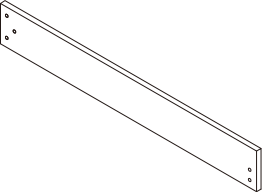
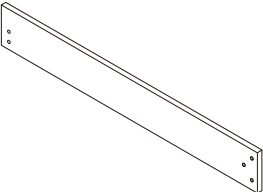

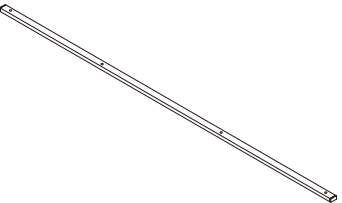
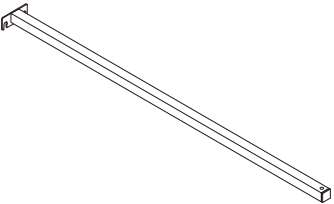
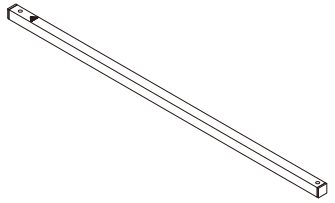

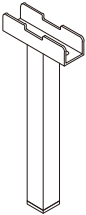
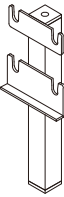


For easier and better assembly, **2** or more adults are required.

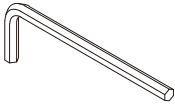
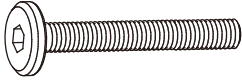
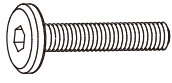

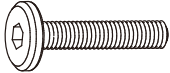
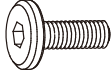
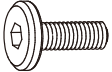
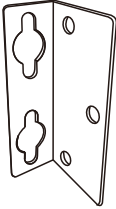
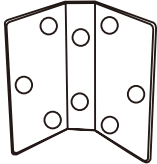
ASSEMBLY INSTRUCTIONS



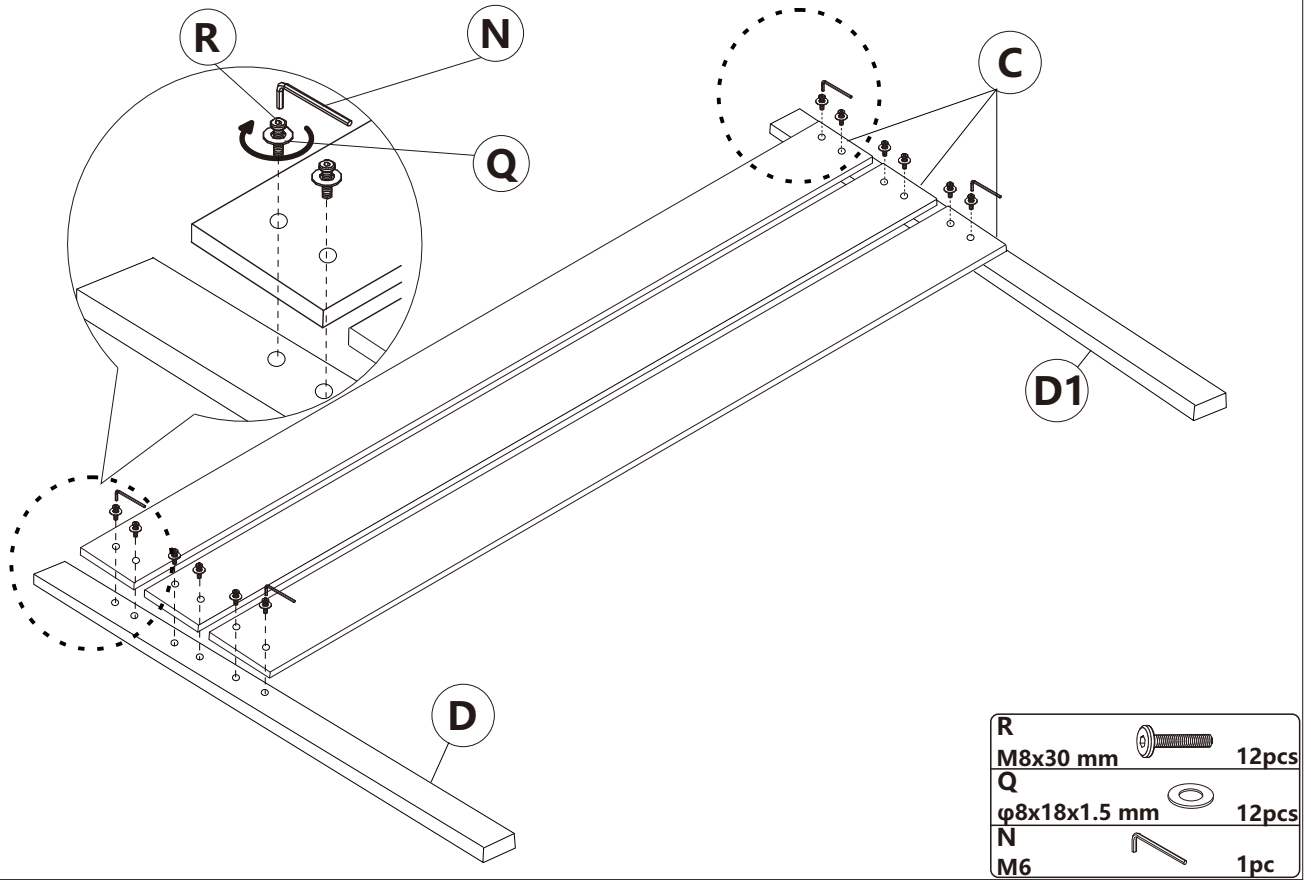
ASSEMBLY INSTRUCTIONS

<p>(A)</p>  <p>1pc</p>	<p>(B)</p>  <p>1pc</p>	<p>(C)</p>  <p>3pcs</p>
<p>(D)</p>  <p>1pc</p>	<p>(D1)</p>  <p>1pc</p>	<p>(E)</p>  <p>1pc</p>
<p>(F1)</p>  <p>2pcs</p>	<p>(F2)</p>  <p>2pcs</p>	<p>(M)</p>  <p>2pcs</p>
<p>(G)</p>  <p>1pc</p>	<p>(H)</p>  <p>2pcs</p>	<p>(I)</p>  <p>2pcs</p>
<p>(J)</p>  <p>4pcs</p>	<p>(K)</p>  <p>4pcs</p>	<p>(L)</p>  <p>2pcs</p>

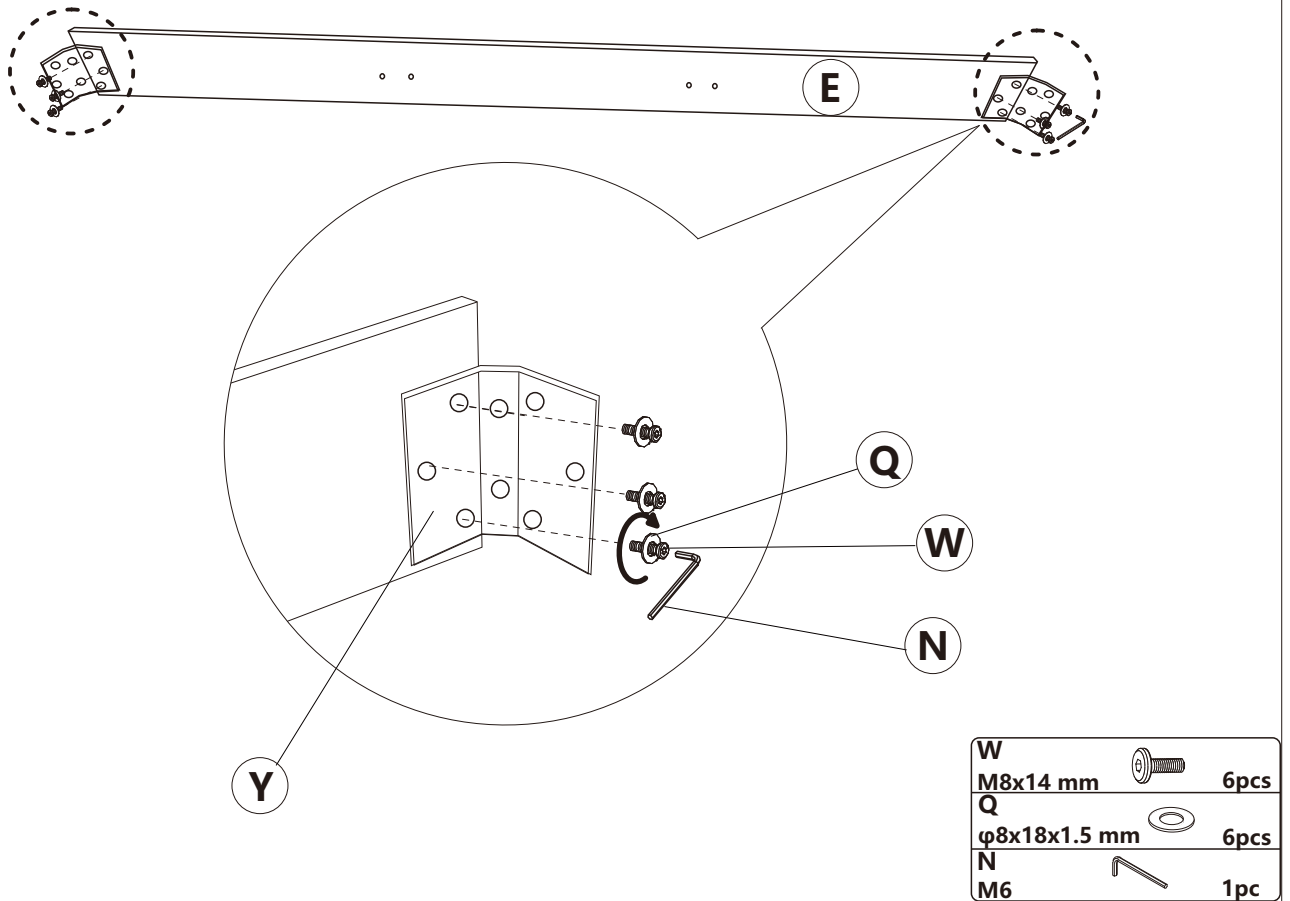
ASSEMBLY INSTRUCTIONS

<p>(N)</p>  <p>M6</p> <p>1pc</p>	<p>(O)</p>  <p>M8x50 mm</p> <p>2pcs</p>	<p>(P)</p>  <p>M8x35 mm</p> <p>8pcs</p>
<p>(Q)</p>  <p>ϕ 8x18x1.5 mm</p> <p>72pcs+1pc</p>	<p>(R)</p>  <p>M8x30 mm</p> <p>24pcs+1ps</p>	<p>(S)</p>  <p>M8x20 mm</p> <p>8pcs</p>
<p>(W)</p>  <p>M8x14 mm</p> <p>30pcs+1pc</p>	<p>(X)</p>  <p>100x2 mm</p> <p>2pcs</p>	<p>(Y)</p>  <p>100x2 mm</p> <p>2pcs</p>

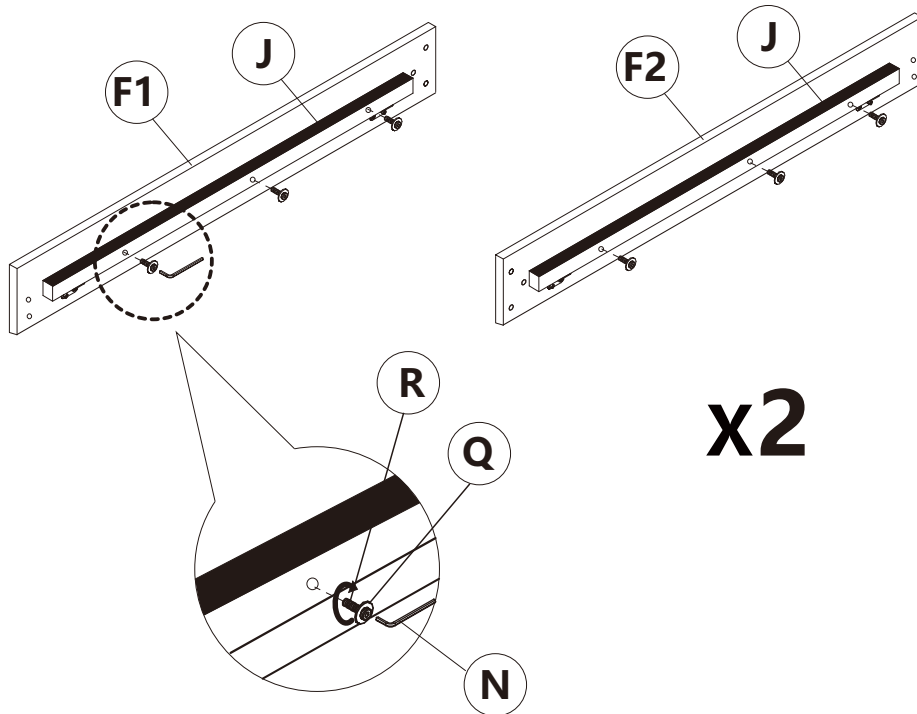
1 Tight all the inner screw after all holes are aligned.






2



3

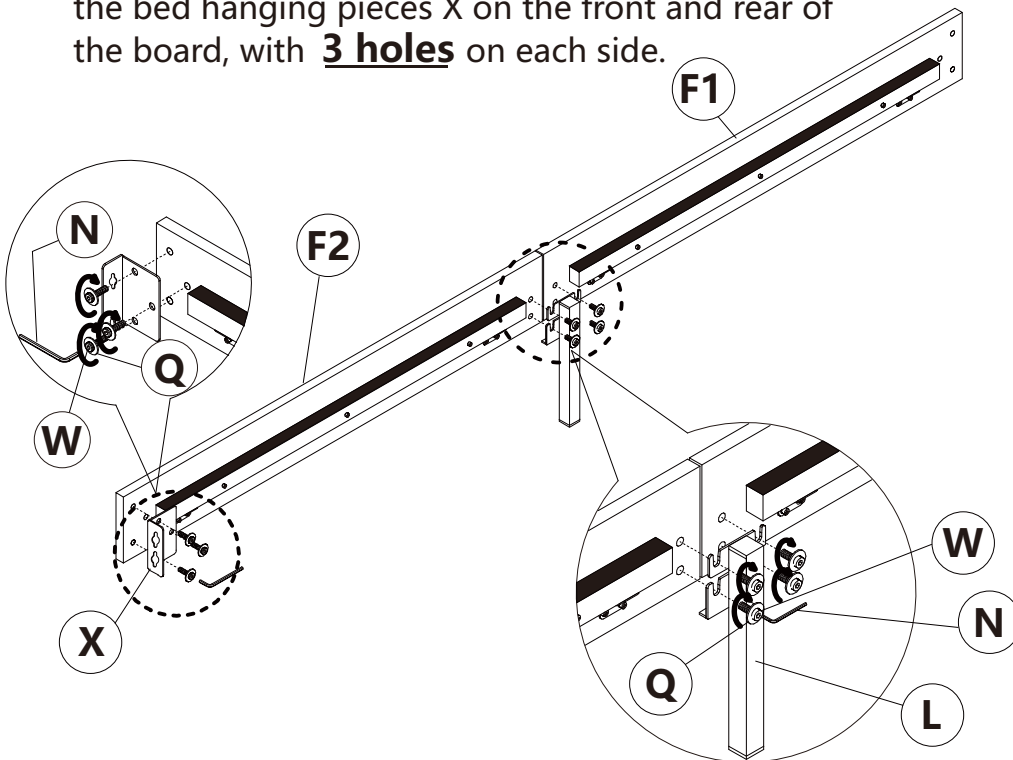






x2

R		12pcs
M8x30 mm		
Q		12pcs
φ8x18x1.5 mm		
N		1pc
M6		

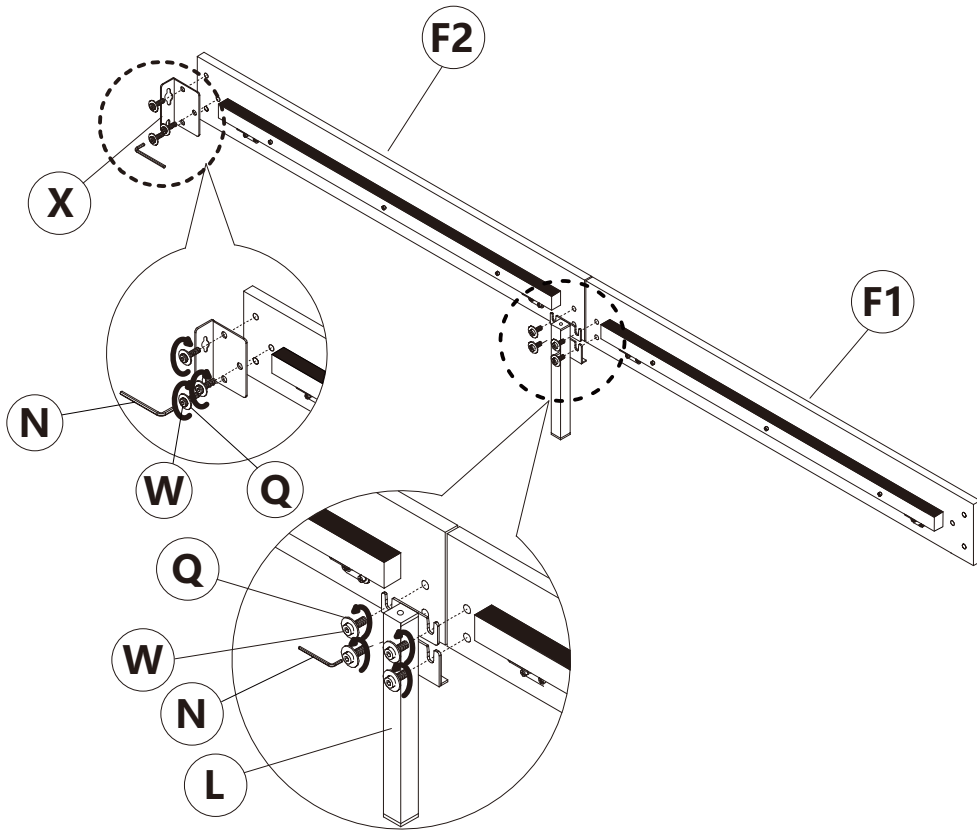
4

Take out parts F1 and F2, and lock the iron frame foot L in the middle according to the figure. Note that there are **2 holes** located on the inner side of the board. Then lock the bed hanging pieces X on the front and rear of the board, with **3 holes** on each side.



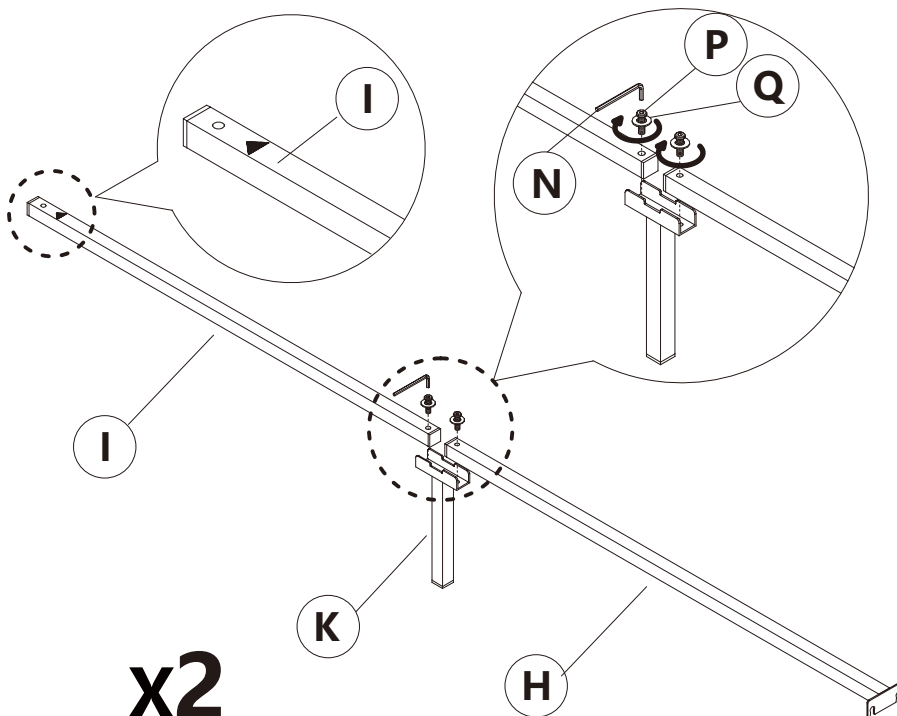
X		1pc
100x2 mm		
W		7pcs
M8x14 mm		
Q		7pcs
φ8x18x1.5 mm		
N		1pc
M6		

5 Same as Step 4



X		1pc
100x2 mm		
W		7pcs
M8x14 mm		
Q		7pcs
φ8x18x1.5 mm		
N		1pc
M6		

6 Noted the direction of the arrow on the middle cross beam is pointing to the front.

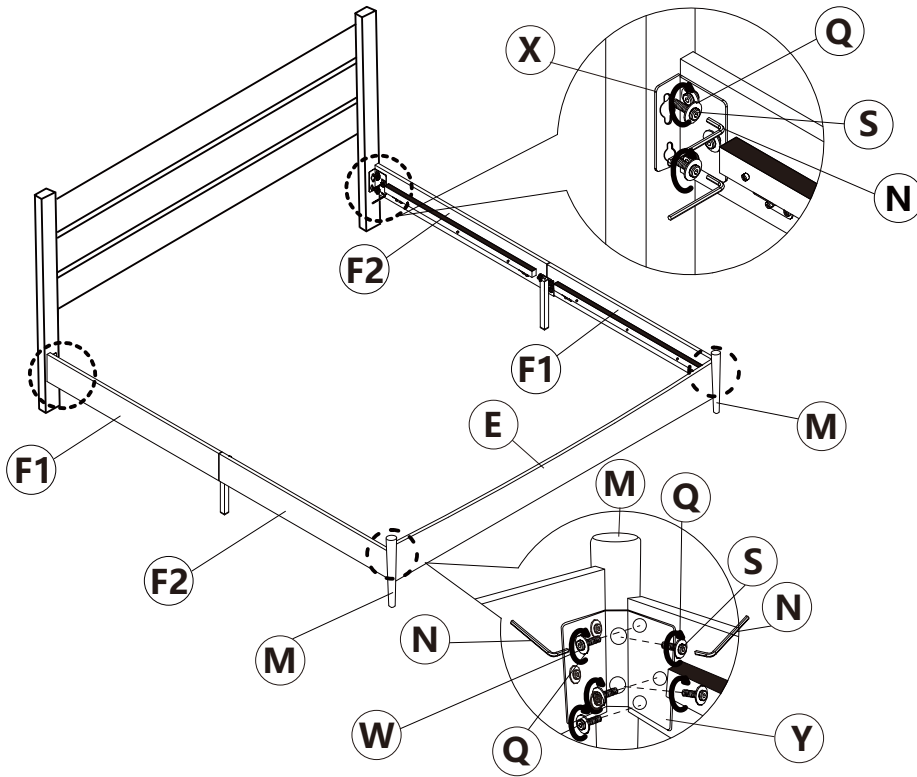






x2

P		4pcs
M8x35 mm		
Q		4pcs
φ8x18x1.5 mm		
N		1pc
M6		

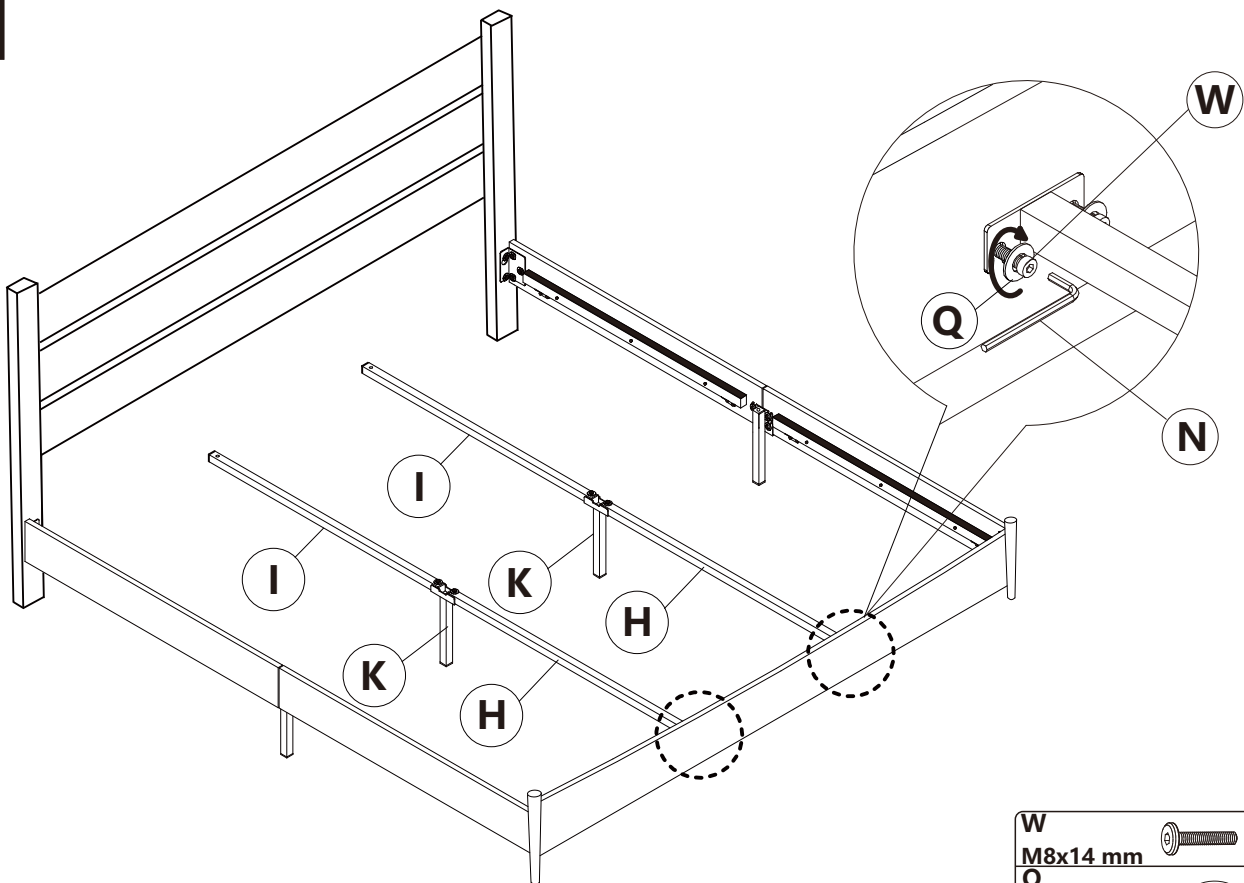
ASSEMBLY INSTRUCTIONS




7 First, screw in the screw-S to about 50%, then hang the bracket-X on and tighten the screw-S. Secondly, attach the footboard-E to the side panel-F1 and F2 using the connector-Y and screw-W. Lastly, secure the support feet-M to both end of the footboard-E to complete the step.



W		6pcs
M8x14 mm		
S		8pcs
M8x20 mm		
Q		14pcs
φ8x18x1.5 mm		
N		1pc
M6		

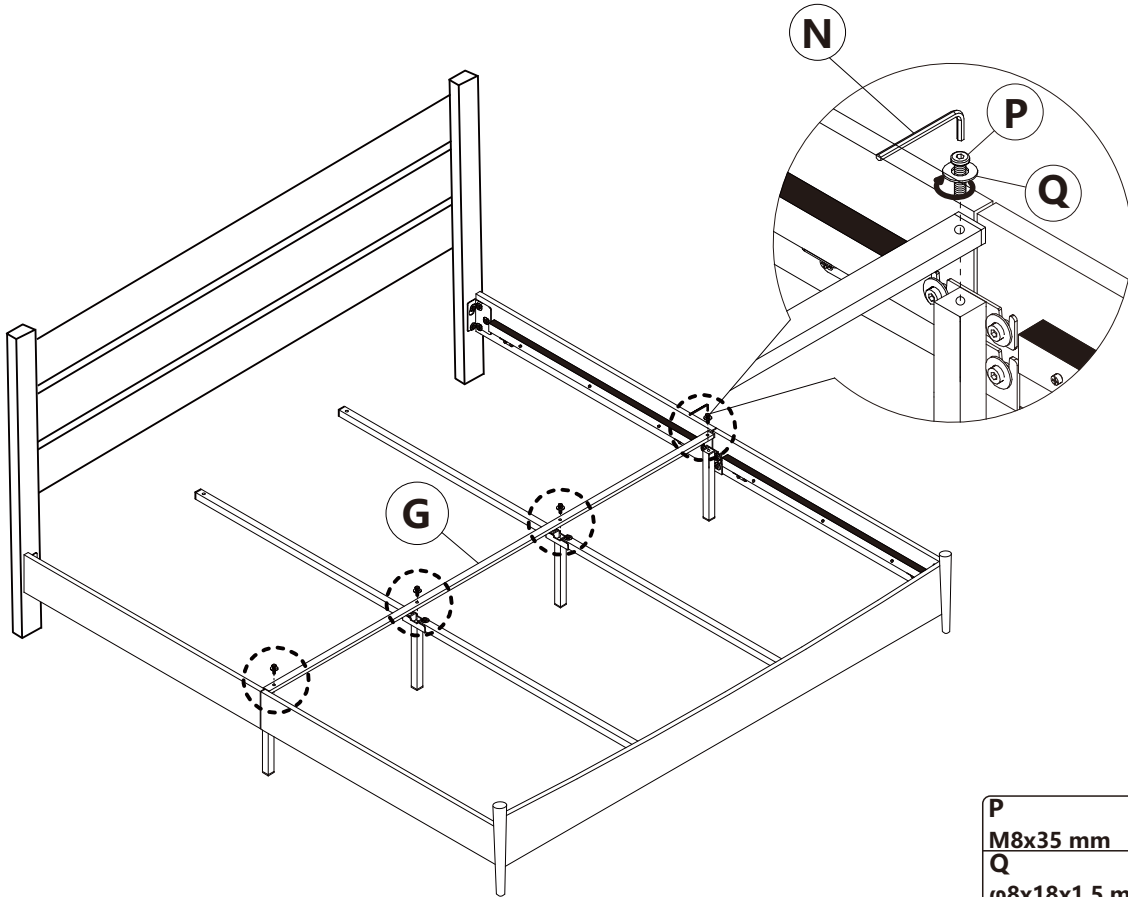
8






W		4pcs
M8x14 mm		
Q		4pcs
φ8x18x1.5 mm		
N		1pc
M6		

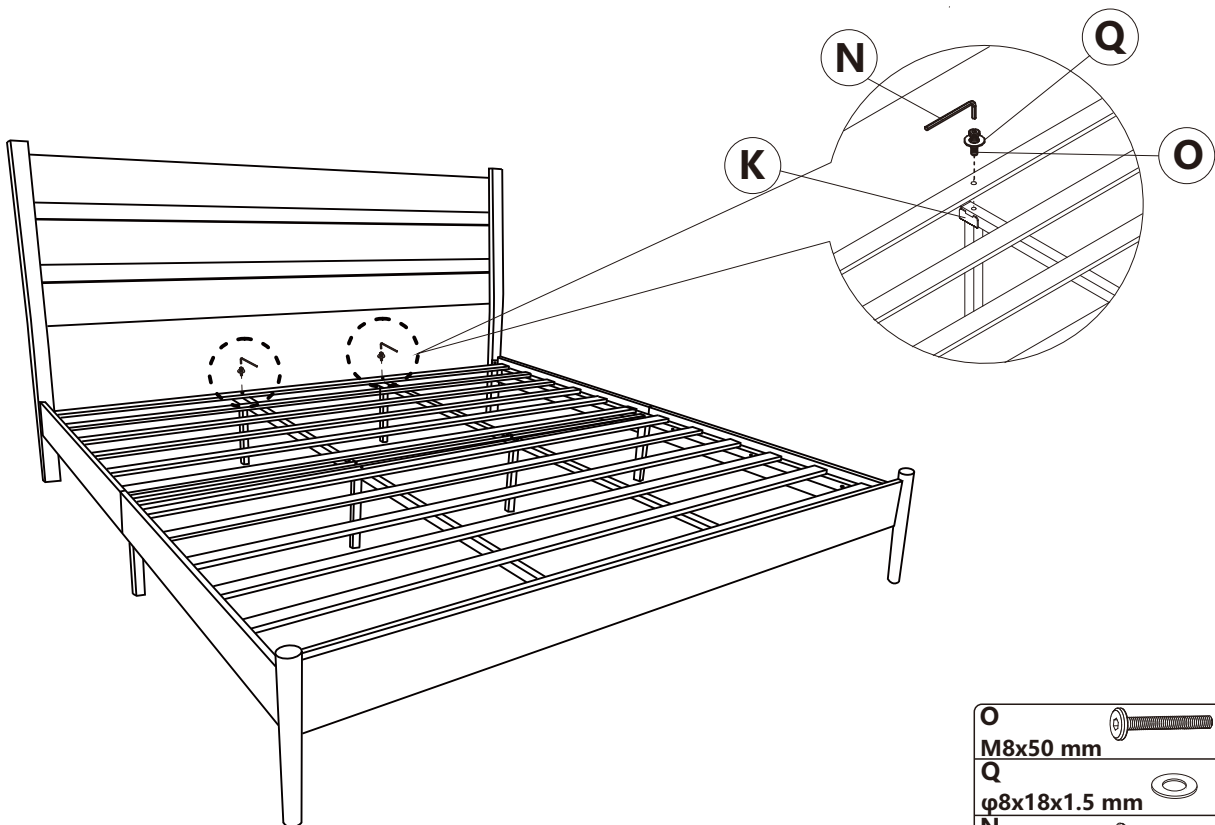
ASSEMBLY INSTRUCTIONS




9



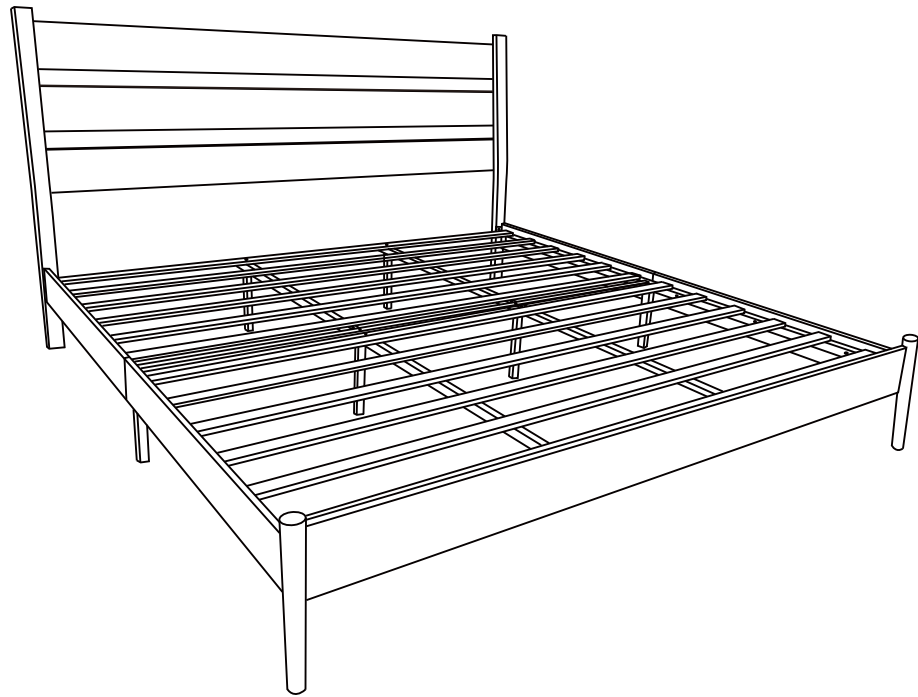
P		4pcs
M8x35 mm		
Q		4pcs
φ8x18x1.5 mm		
N		1pc
M6		

10



O		2pcs
M8x50 mm		
Q		2pcs
φ8x18x1.5 mm		
N		1pc
M6		

11



Installation Complete