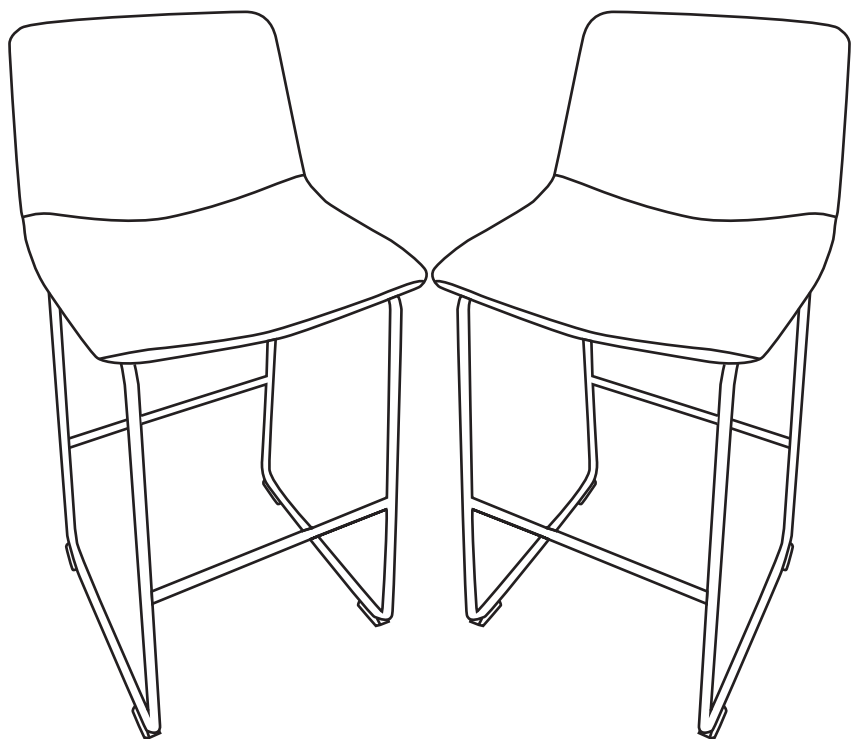
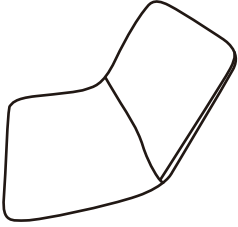


Leather Counter/Bar Stool

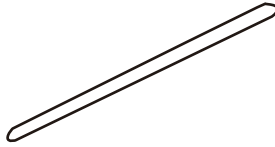


Parts list

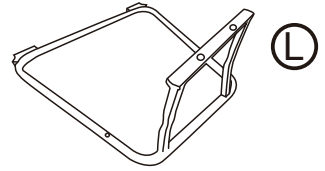
(A) ×2 Seat



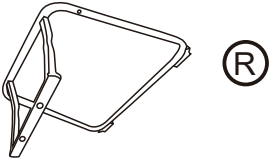
(B) ×4 Footrest Bar



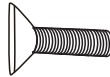
(C) ×2 Left Frame



(D) ×2 Right Frame



(E) ×12 M6*25



(F) ×4 M6*14



(G) ×1 Allen key



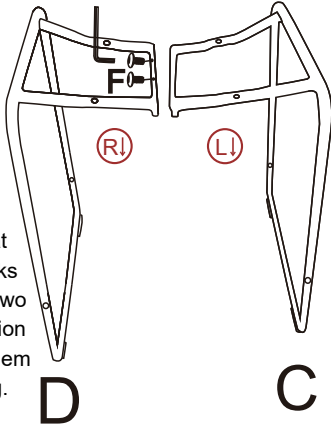
Installation steps



In order to install the product successfully, please match the screws and holes in advance, and then tighten all the screws.

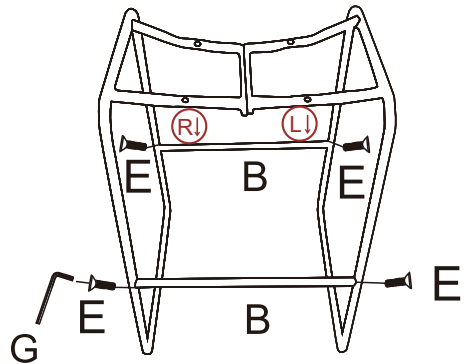
Tighten the screws from the R to L to install

①

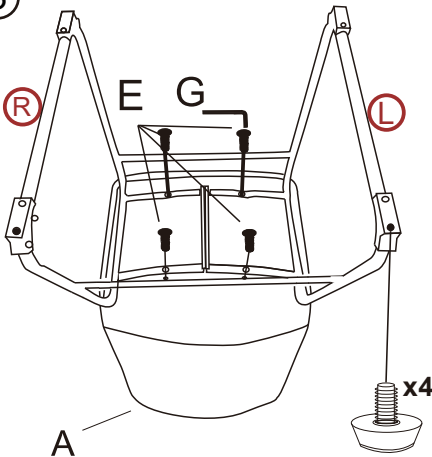


Please note that there were marks "L" and "R" on two legs, pay attention to distinguish them before installing.

②

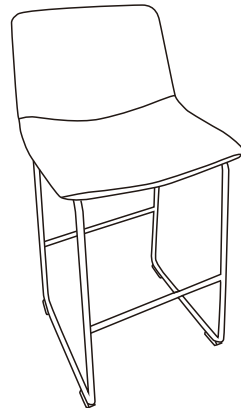


③



If the chair wobbles, you can adjust the screws here to make it level

④



Before install parts "A", please confirm the two legs are keeping at the same level. You can try harder to press the full tightened two legs on the ground to ensure they are keeping in same level, and then installing the "A" section.