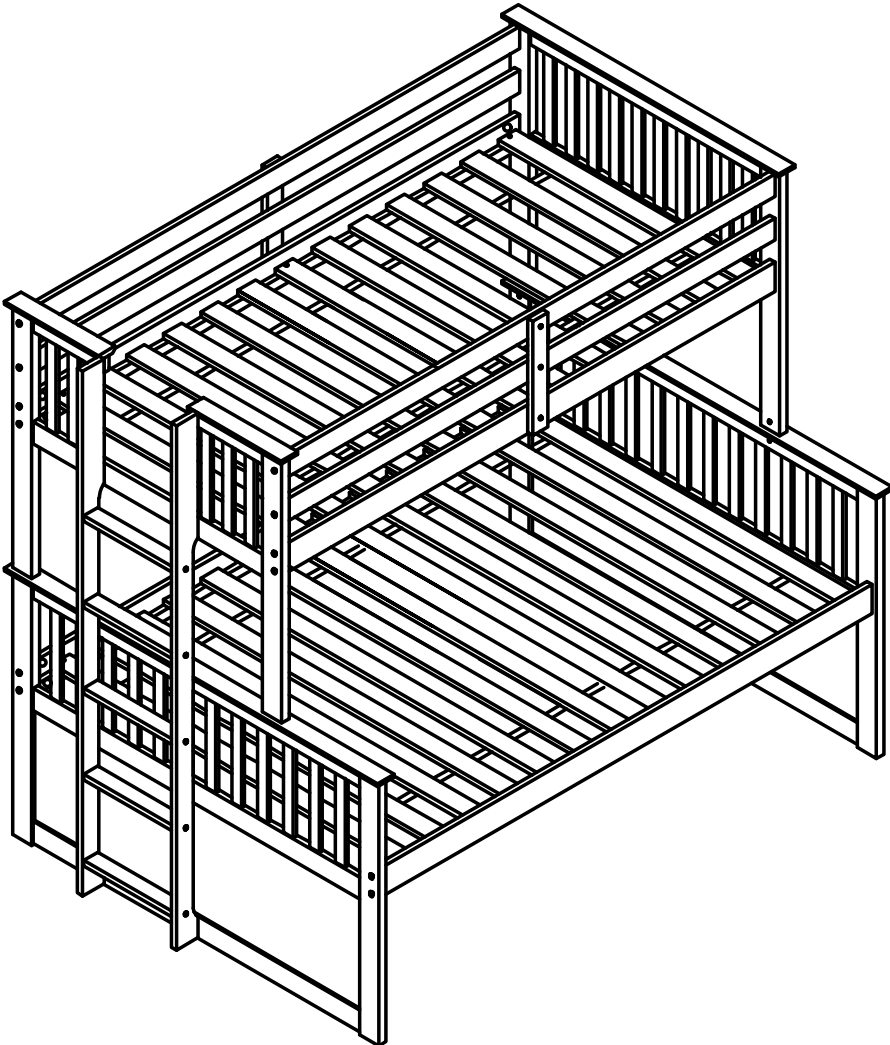


ASSEMBLY INSTRUCTIONS



TOOLS REQUIRED



Allen Wrench

(Included)



Phillips
Screwdriver

(Not Included)



3 - People
Recommended

ASSEMBLY RATING



EASY —————> DIFFICULT

The Assembly Rating is a 5-point system showing the level of effort needed to assemble a specific product.



CHECK BEFORE STARTING

Are you missing anything?

Double-check all parts, hardware and accessories listed on Page 6 are accounted for.

Check out our Quick Tips!

We recommend reviewing the pre-assembly handouts. Even experts need a refresher now and then!

Should we send any replacements?

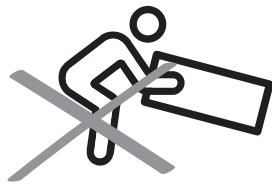
Are there any irregularities or flaws in the parts? We can send replacements!

Prep Time!

Please review the assembly instructions and all diagrams prior to assembling. Arrange parts as recommended on Page 7 and group identical hardware together to make assembling easier.

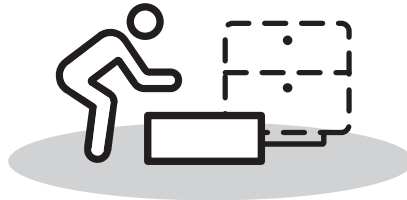
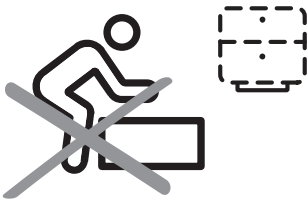
PRE ASSEMBLY INTRODUCTION

We understand building ready-to-assemble furniture can be a challenging experience for some. To help avoid confusion, we have provided some helpful tips that may speed up the process.



Teamwork

ALWAYS have at least two people to help with transporting and assembling the product to avoid potential injury and/or damage.



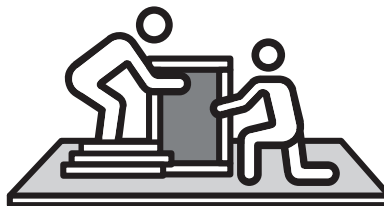
Suitable Location

Assembling near the area of the intended location is highly recommended.



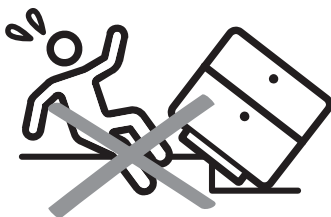
Sufficient Space

Make sure you have enough space to move around during the assembly.



Avoid Scratches

Use cardboard, blankets or a carpeted area while assembling furniture to prevent scratches.



Flat Surface

Make sure the furniture rests on a flat and level surface with each leg evenly touching the floor.

ASSEMBLY AND CARE ADVICE



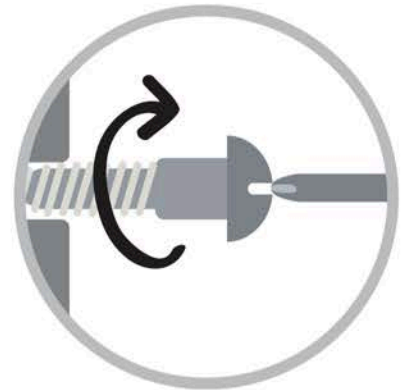
FAILURE TO FOLLOW THE GUIDELINES BELOW MAY RESULT IN INJURY AND/OR PROPERTY DAMAGE.



Position each part correctly and insert screws or bolts into their respective holes.



Use the appropriate hand tools or power tools for assembly. Select steps, such as tightening screws and/or bolts, may require hand tools to avoid causing damage during assembly.



Turn clockwise to tighten and only tighten when step is completed or when instructed to do so.



Save the instructions and store any supplied tools for later maintenance.



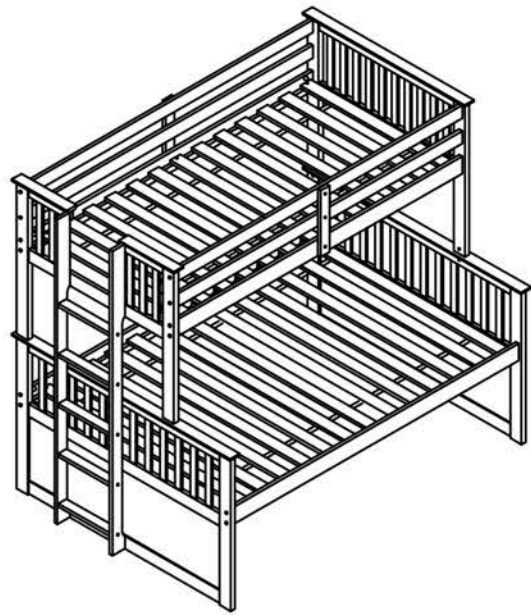
After two weeks, check and tighten any loose hardware and repeat again every six months thereafter.

IT IS THE USER'S RESPONSIBILITY TO MAINTAIN THE FURNITURE. THE HARDWARE MAY LOOSEN OVER TIME AND MAY CAUSE THE FURNITURE TO BE WOBBLY AND UNABLE TO SUPPORT ITS INTENDED WEIGHT CAPACITY. THIS MAY LEAD TO COLLAPSE AND MAY CAUSE SERIOUS INJURY.

BUNK BED

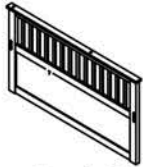


- Please keep instructions for future reference.
- Check the quantity and irregularity of parts and hardware before you start.



PARTS

#1 1pc



Lower End Guardrail (R)

#2 1pc



Lower End Guardrail (L)

#3 1pc



Upper End Guardrail (R)

#4 1pc



Upper End Guardrail (L)

#5 4pcs



Side Rail

#9 1pc



Ladder Rail (R)

#6 4pcs



Guardrail

#10 5pcs



Ladder Rung

#7 2pcs



Guardrail Support

#11 1set



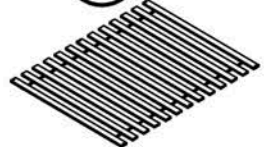
Twin Slat Kit (13pcs)

#8 1pc



Ladder Rail (L)

#12 1set



Full Slats Kit (13pcs)

HARDWARE

#A 16pcs



Bolt $\varnothing 1/4"$ x 3-1/8"

#B 16pcs



Barrel Nut

#C 8pcs



Screw $\varnothing 1/4"$ x 3"

#D 16pcs



Screw $\varnothing 1/4"$ x 2"

#E 16pcs



Wood Dowel #10x40mm

#F 4pcs



Wood Dowel #16x90mm

#G 18pcs



Screw #4x30mm

#H 8pcs

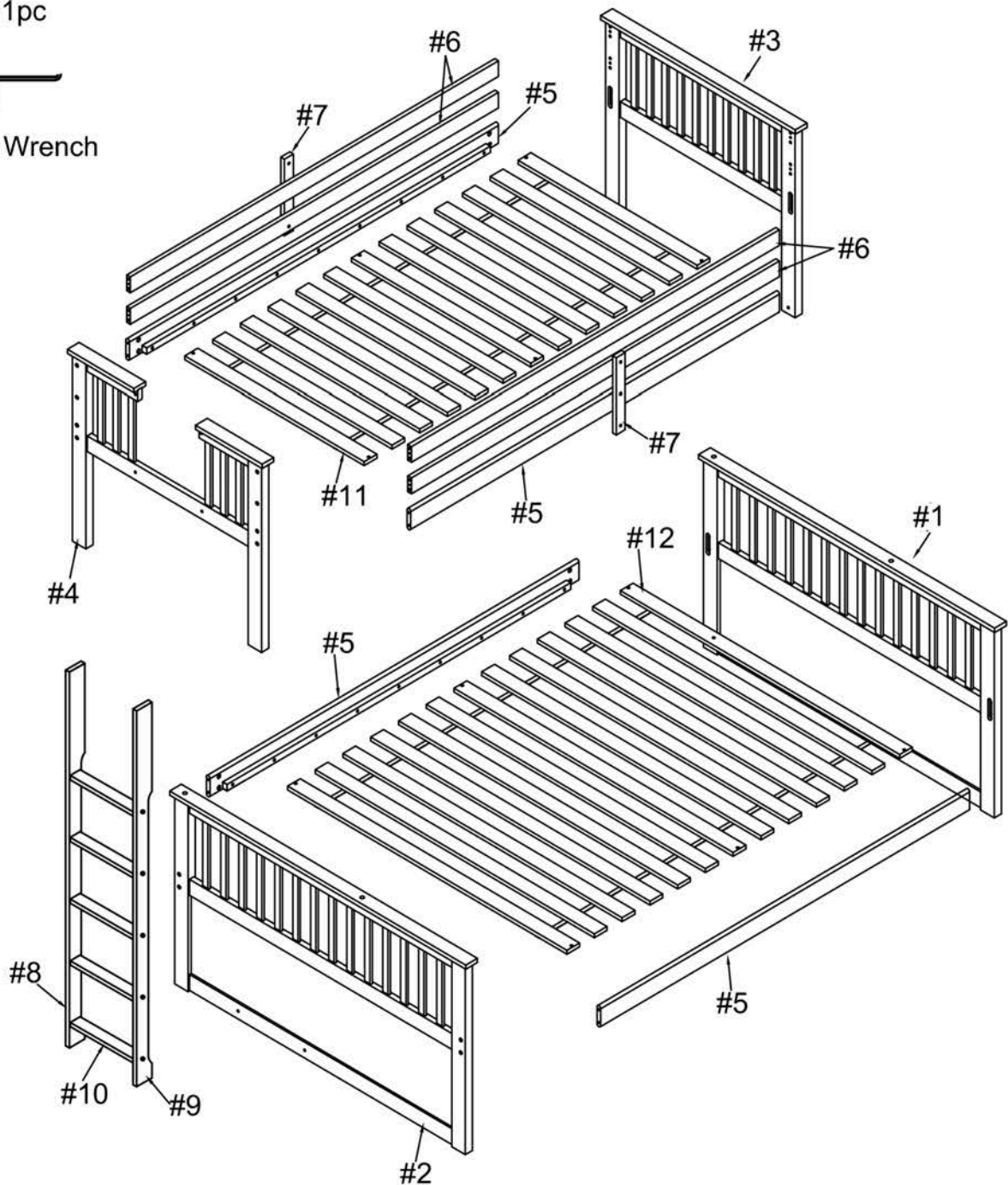


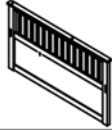
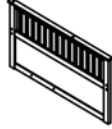


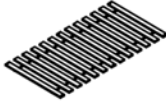
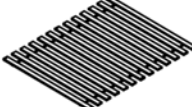
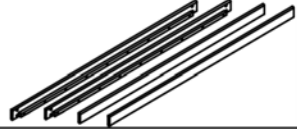


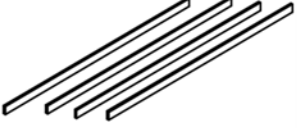

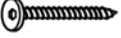
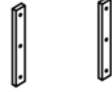

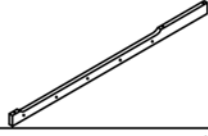

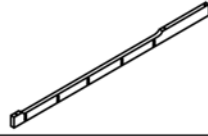

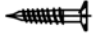
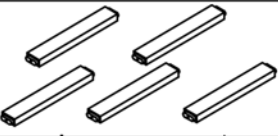

Screw #4x20mm

#I 1pc



Allen Wrench

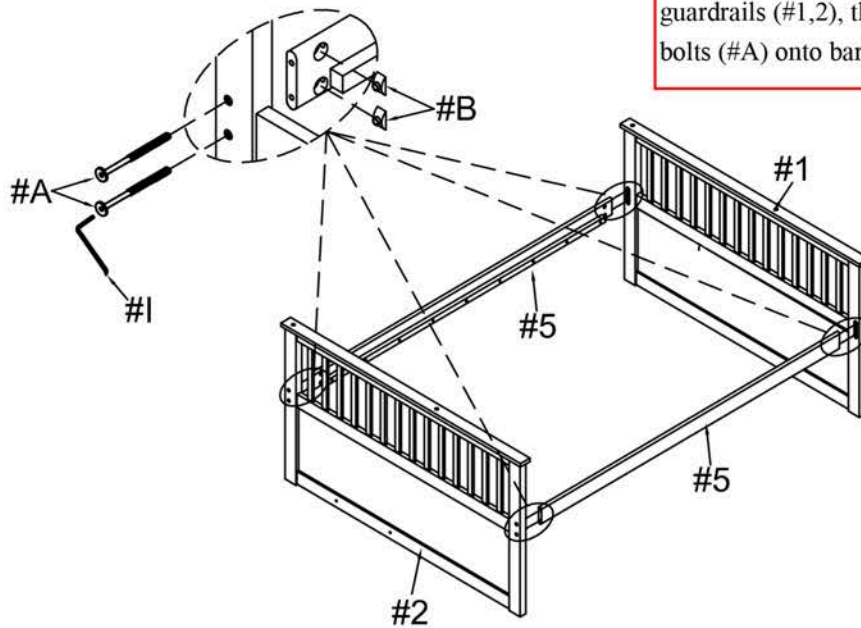


Carton	Disignation	Part	Hardware	
	Lower End Guardrail (R)	#1		
	Lower End Guardrail (L)	#2		
	Upper End Guardrail (R)	#3		
	Upper End Guardrail (L)	#4		
	Twin Slat Kit	#11		
	Full Slats Kit	#12		
	Side Rail	#5		 #Ax16pcs  #Bx16pcs
	Guardrail	#6		 #Cx8pcs  #Dx16pcs
	Guardrail Support	#7		 #Ex16pcs
	Ladder Rail (R)	#8		 #Fx4pcs
	Ladder Rail (L)	#9		 #Gx18pcs  #Hx 8 pcs
	Ladder Rung	#10		 #Ix1pc

ASSEMBLY INSTRUCTIONS

1

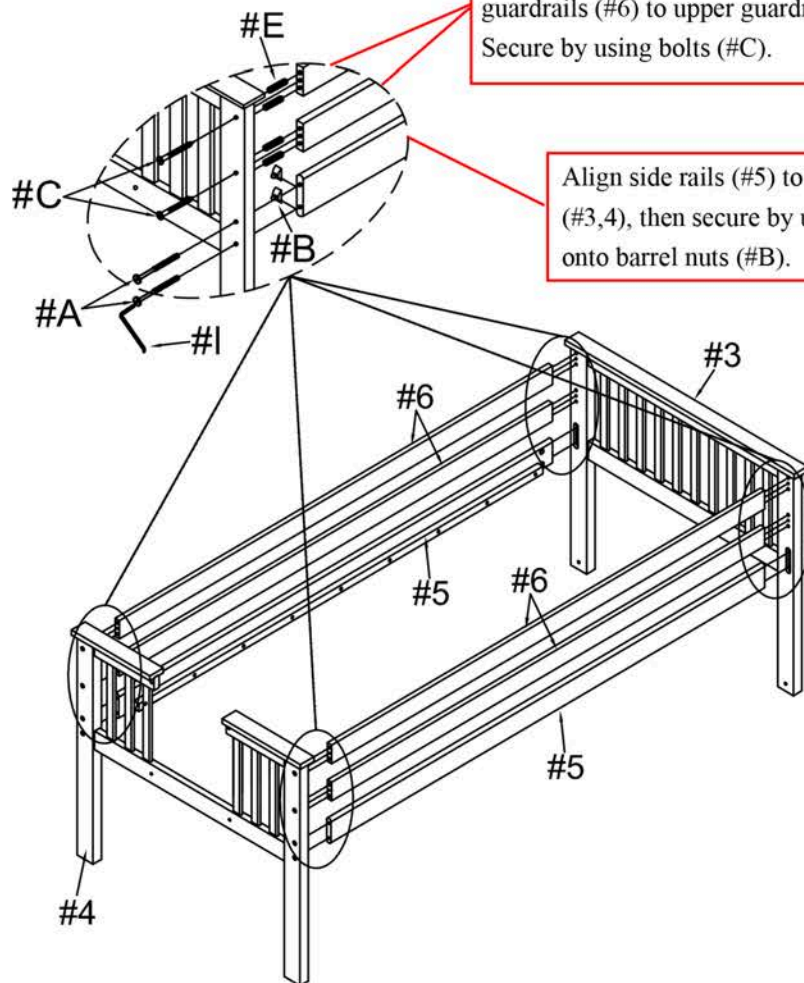
- Part #1 x 1pc
- Part #2 x 1pc
- Part #5 x 2pcs
- Hardware #A x 8pcs
- Hardware #B x 8pcs



Align side rails (#5) to lower guardrails (#1,2), then secure by using bolts (#A) onto barrel nuts (#B).

2

- Part #3 x 1pc
- Part #4 x 1pc
- Part #5 x 2pcs
- Part #6 x 4pcs
- Hardware #A x 8pcs
- Hardware #B x 8pcs
- Hardware #C x 8pcs
- Hardware #E x 16pcs



Insert dowels (#E) to guardrails (#6), then align guardrails (#6) to upper guardrails (#3,4). Secure by using bolts (#C).

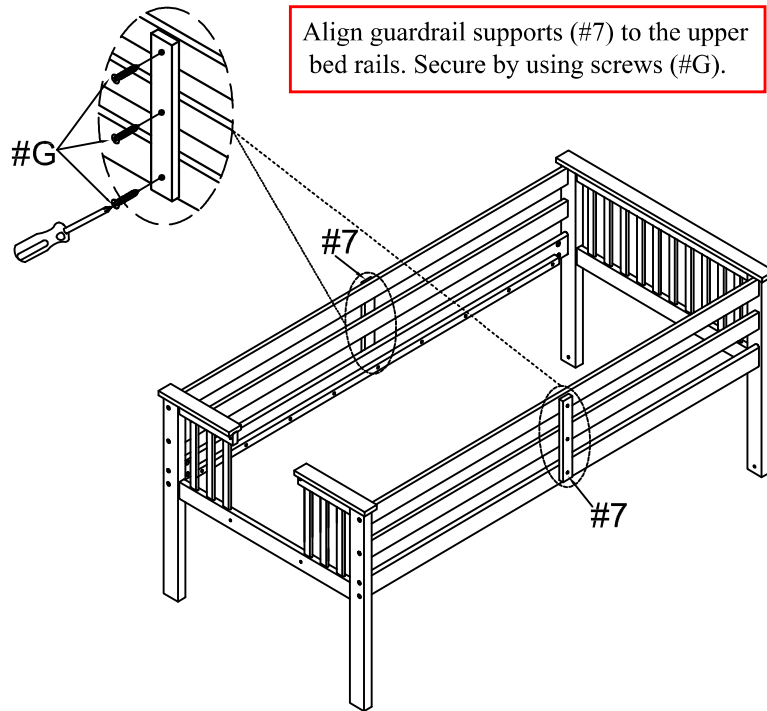
Align side rails (#5) to upper guardrails (#3,4), then secure by using bolts (#A) onto barrel nuts (#B).

ASSEMBLY INSTRUCTIONS

3

Part #7 x 2pcs

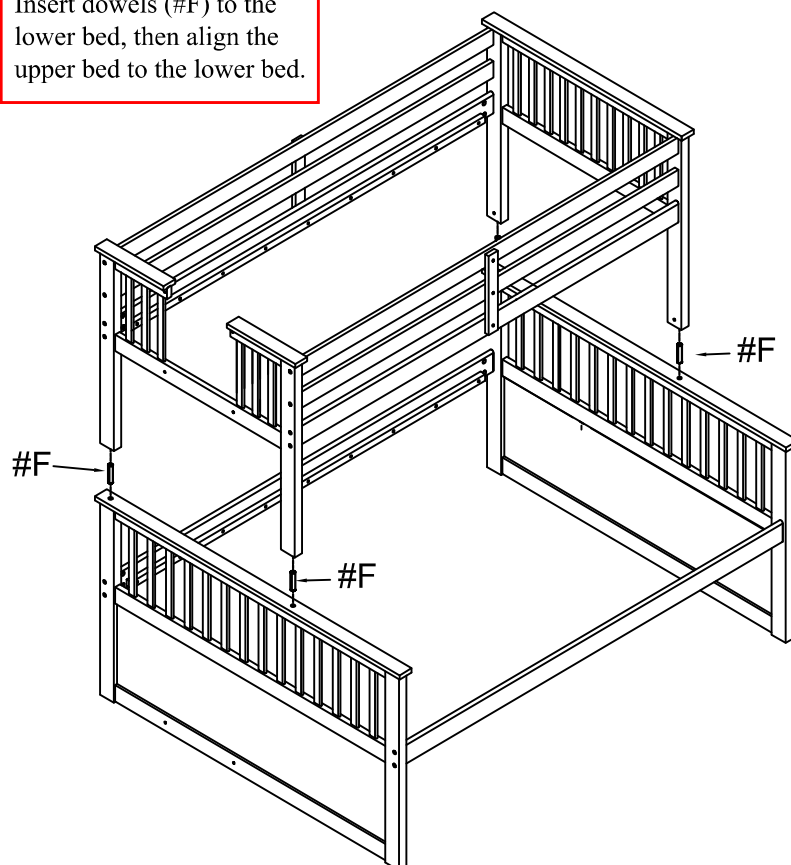
Hardware #G x 6pcs



4

Hardware #F x 4pcs

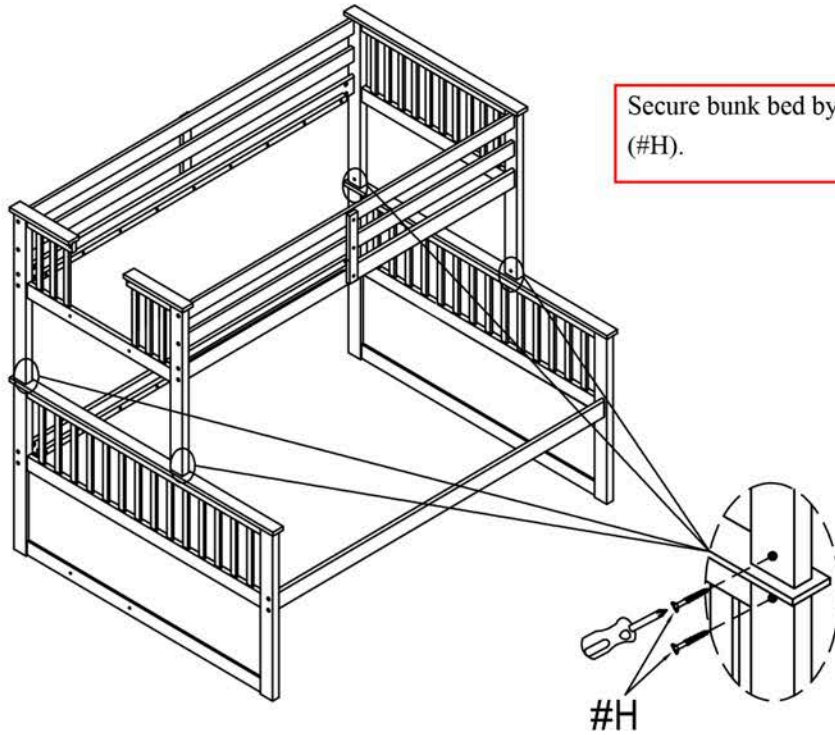
Insert dowels (#F) to the lower bed, then align the upper bed to the lower bed.



ASSEMBLY INSTRUCTIONS

5

Hardware (#H) x 8pcs



6

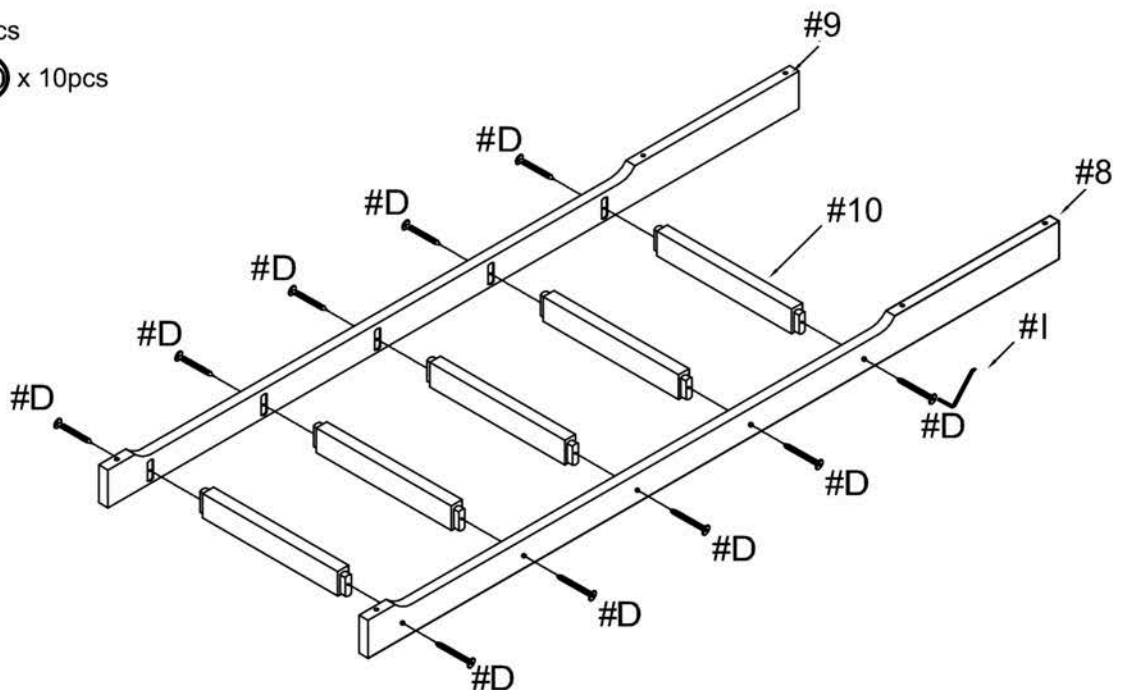
Part (#8) x 1pc

Part (#9) x 1pc

Part (#10) x 5pcs

Hardware (#D) x 10pcs

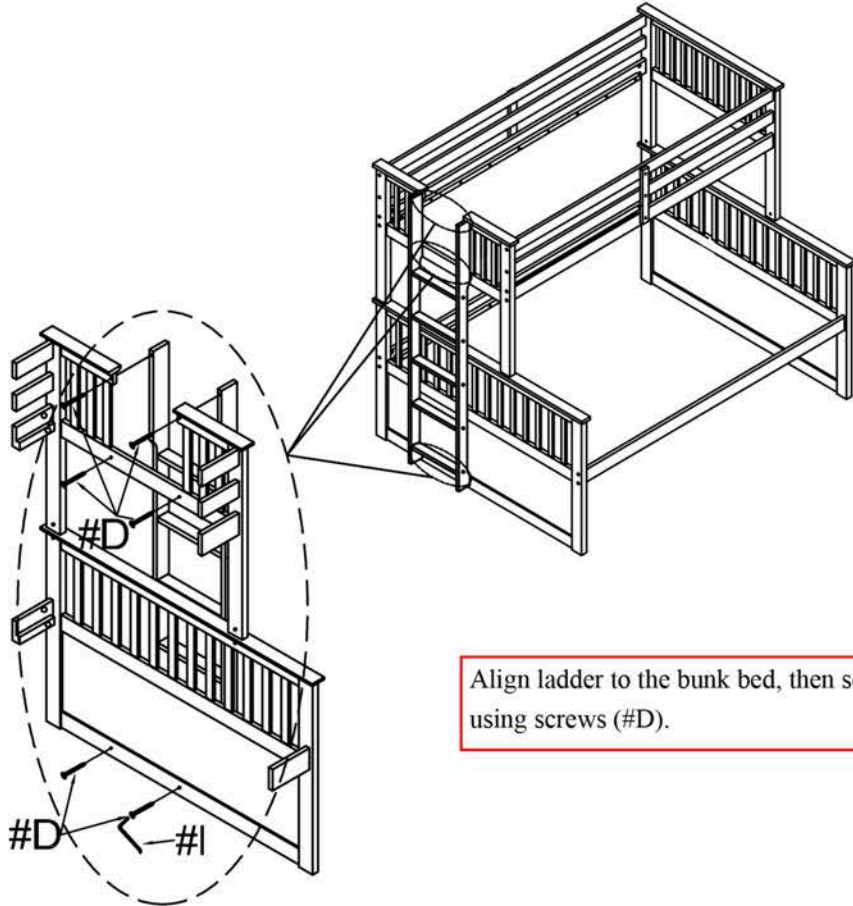
Align ladder rungs (#10) to the ladder rails (#8,9), then secure by using screws (#D).



ASSEMBLY INSTRUCTIONS

7

Hardware  #D x 6pcs



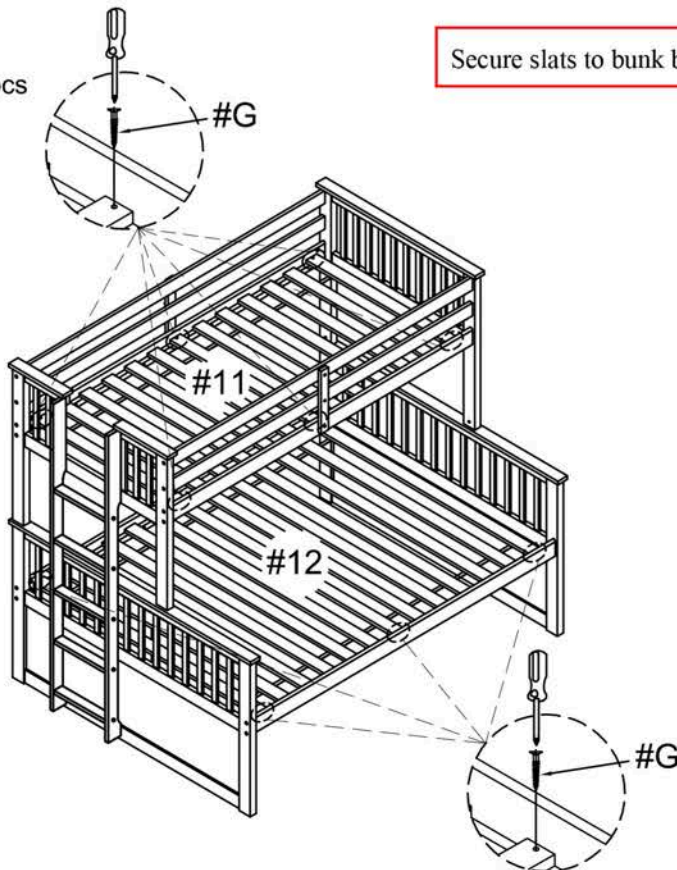
Align ladder to the bunk bed, then secure by using screws (#D).

8

Part  #11 x 1set

Part  #12 x 1set

Hardware  #G x 12pcs



Secure slats to bunk bed by using screws (#G).

ASSEMBLY COMPLETED



Please ensure the furniture rests on an even and flat surface. If the product wobbles or feels loose, double-check all bolts and/or screws are properly tightened and secured.



Keep this handy!

Please retain this instruction manual and any order-related information for future reference.



Lift, don't drag!

To avoid damage to product please always LIFT the product when transporting or adjusting the placement.

Safety Warnings for Bunk Beds

1. Read and follow the information on the WARNINGS shown on the end structure of the upper bunk and on the carton.
2. Do not remove warning label from the bed.
3. Keep these instructions for future reference.
4. **IMPORTANT: Must use Bunkie mattress or Bunkie board.** The proper sizes for the **UPPER/LOWER TWIN-SIZE** Bunkie mattress or Bunkie board should be 74" long and 37½" - 38½" wide with no more than 6" thickness and for the **UPPER/LOWER FULL-SIZE** should be 74" long and 53" - 54" wide with no more than 6" thickness.
5. Surface of mattress must be at least 5 inches (127 mm) **BELOW** the upper edge of guardrails.
6. The **MAXIMUM** weight capacity for the upper bunk is not to exceed 175 lbs.
7. Do not allow children under 6 years of age to use the upper bunk.
8. Periodically check and ensure that the guardrails, ladder, handle and other components are in their proper position, free from damage, and that all connectors are tightened and secured.
9. **DO NOT** allow horseplay, rough playing or jumping on the beds and do not allow playing or hiding under the beds.
10. Always use the ladder for entering or leaving the upper bunk.
11. Do not use substitute parts. Contact the manufacturer or dealer for replacement parts.
12. Use of a nightlight may provide added safety precaution for a person using the upper bunk.
13. Always use the guardrails on both sides of the upper bunk.
14. If the bunk bed will be placed next to a wall, the guardrail that runs the full length of the bed should be placed against the wall to prevent entrapment between the bed and the wall.
15. The use of water or sleep flotation mattresses is prohibited.
16. No more than one person is allowed on the upper bunk at all times.



WARNING: STRANGULATION HAZARD

Never attach or hang objects to any part of the bunk bed that are not designed for use with the bed. Objects such as hanger, hook, belt, bag, rope, string, etc. should not be used on or around the bunk bed.