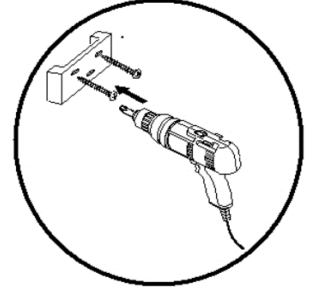
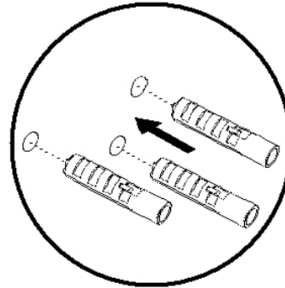
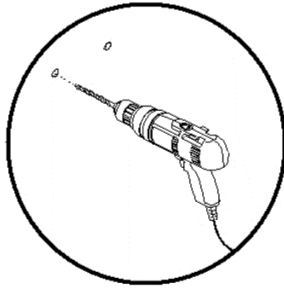
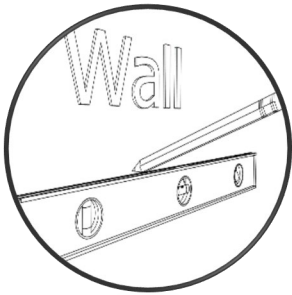




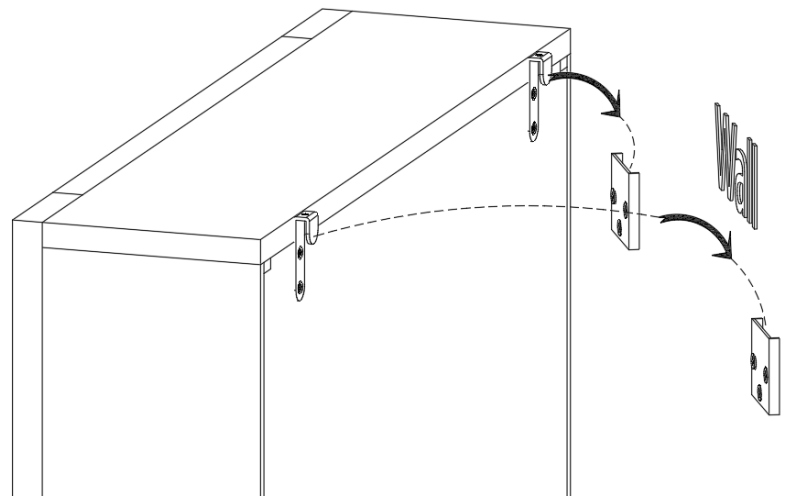
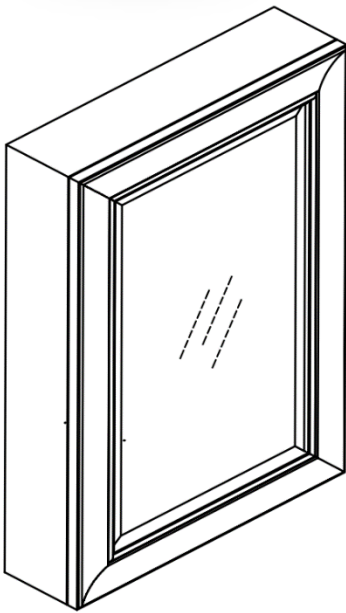
roomandloft™

RL-MED-2: Medicine Cabinet Installation Instructions

Step 1 – Using a level, mark the wall for placement of the mirror hanger, drill $\frac{1}{4}$ " holes, insert the anchors and screw on the mirror anchor as shown.



Step 2 – Hang the medicine cabinet onto the 4 wall hangers,



Step 3 – Screw in the shelf pegs (4 for each shelf) at the desired height and set the glass shelf onto the pegs.

