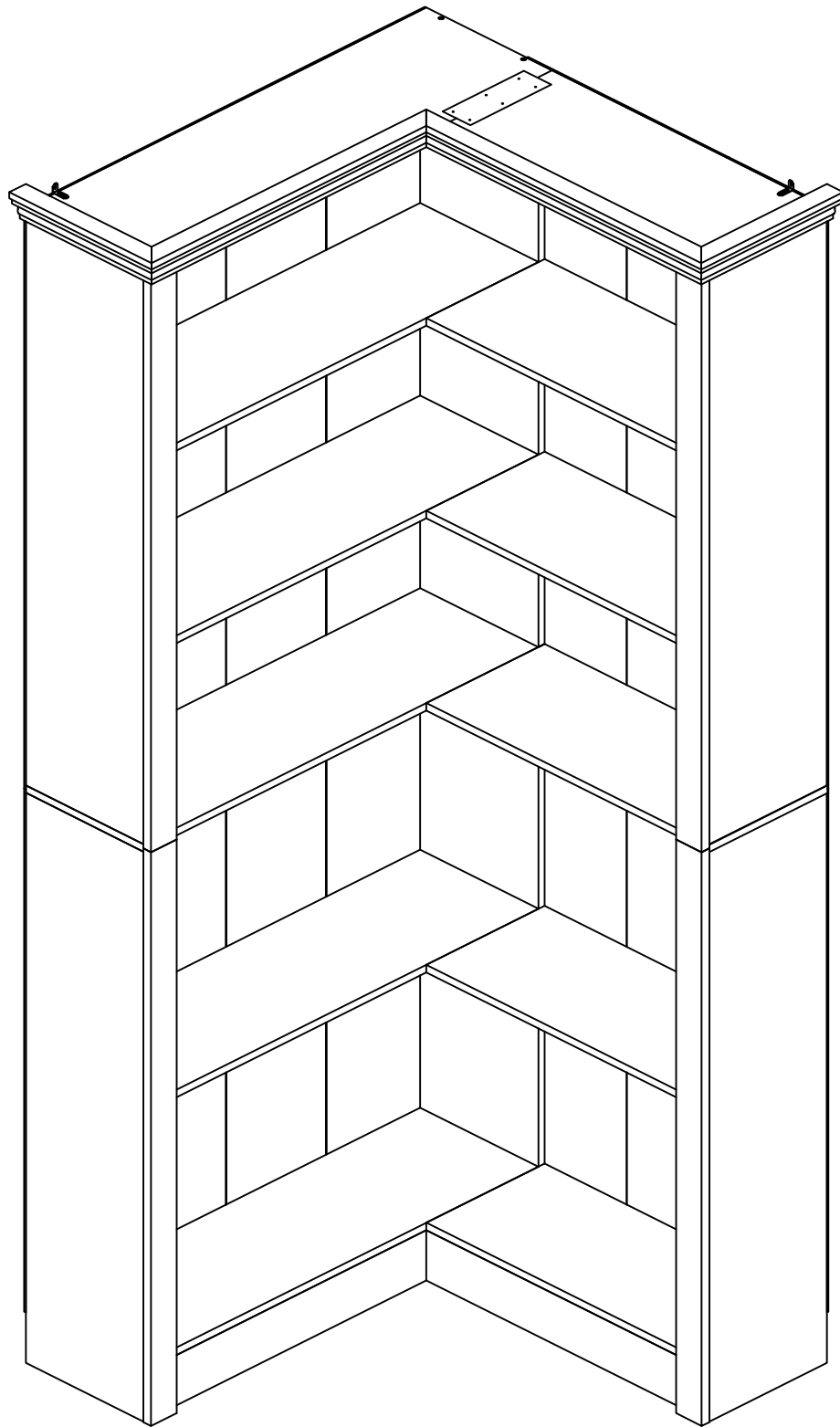
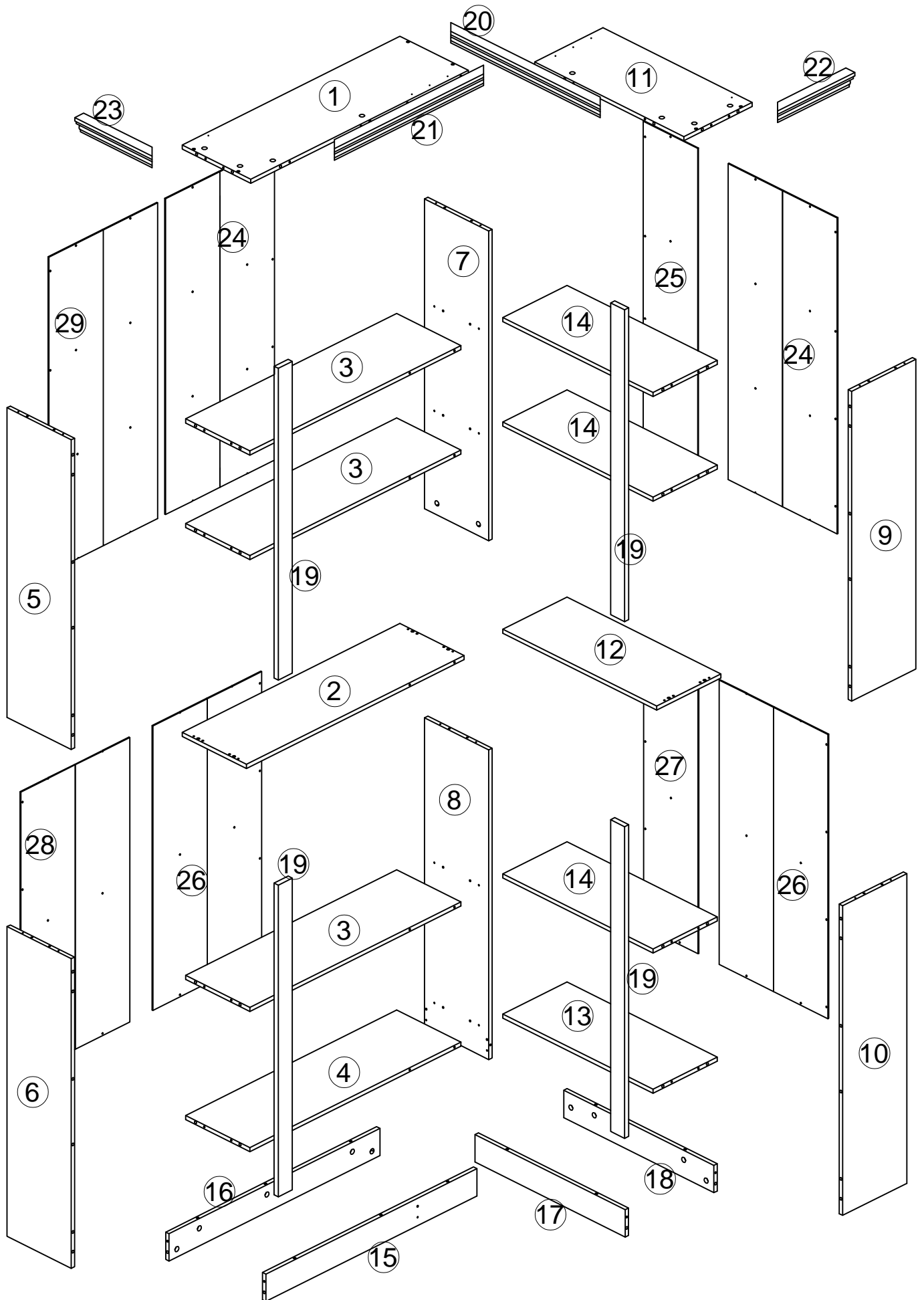


CORNER BOOKCASE


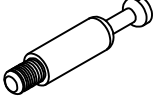

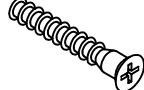
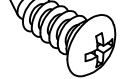
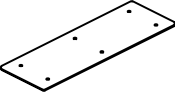

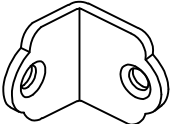

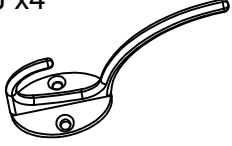
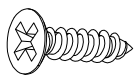
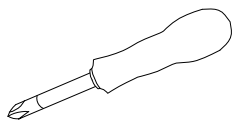


version : 1.0

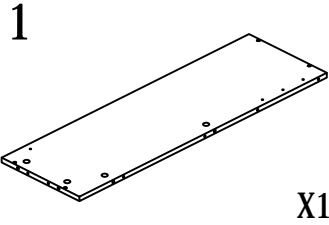
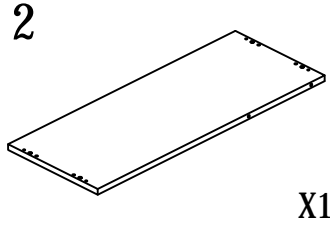
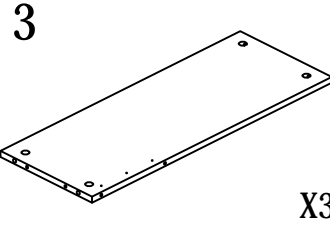
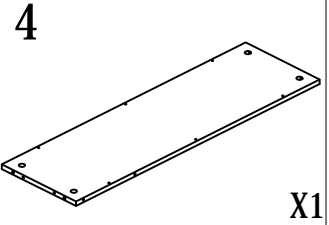
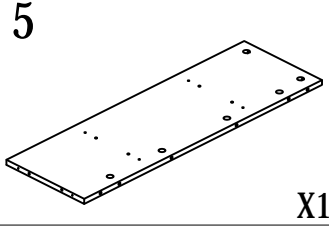
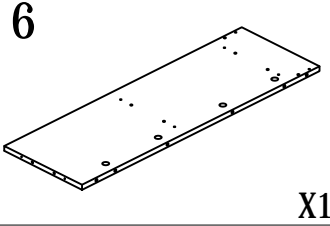
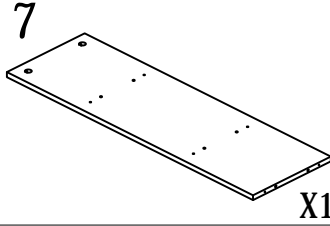
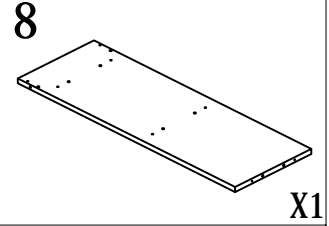
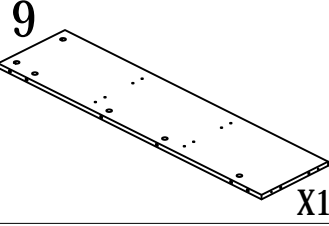
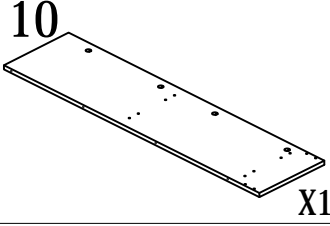
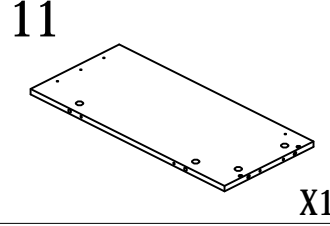
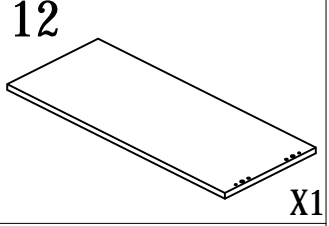
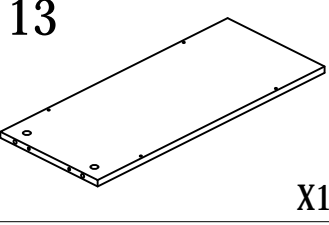
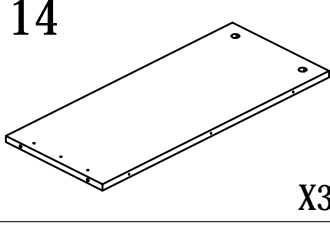
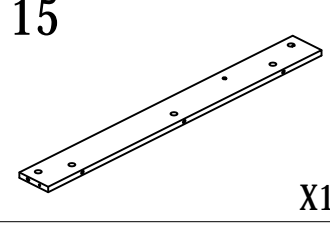
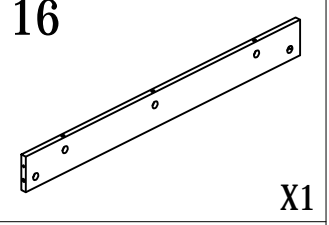
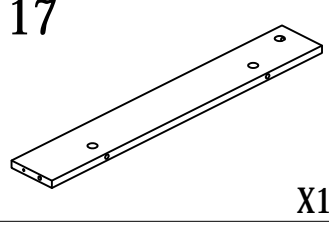
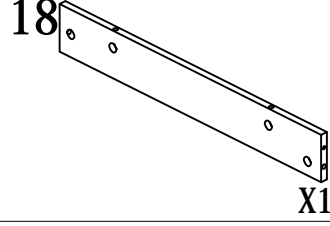
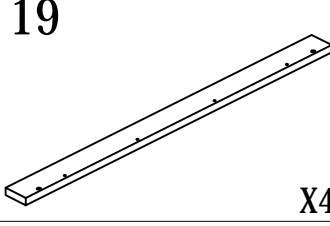
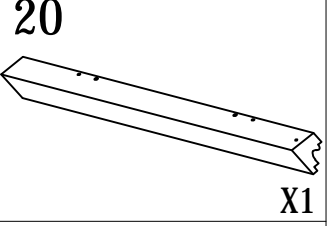
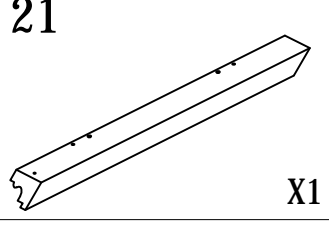
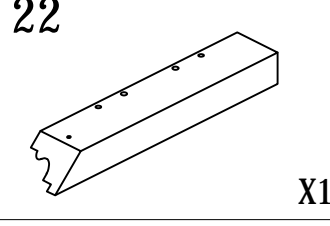
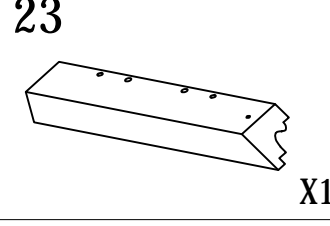
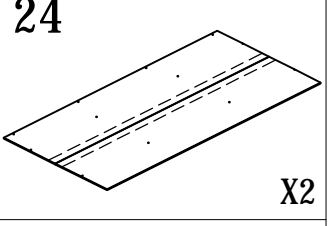
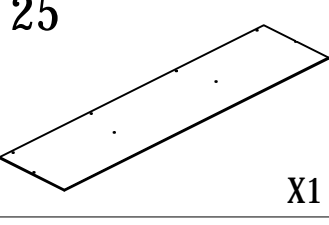
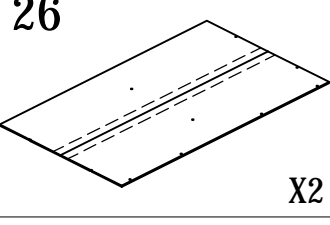
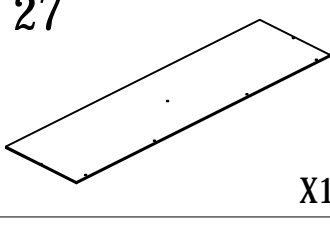
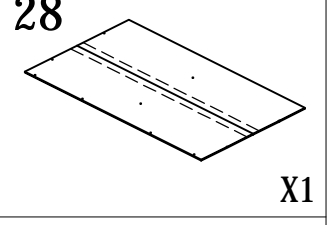
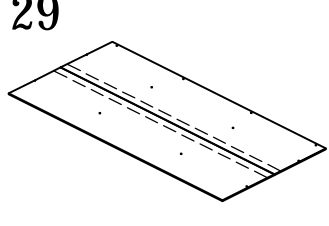
ASSEMBLY INSTRUCTIONS



ASSEMBLY INSTRUCTIONS

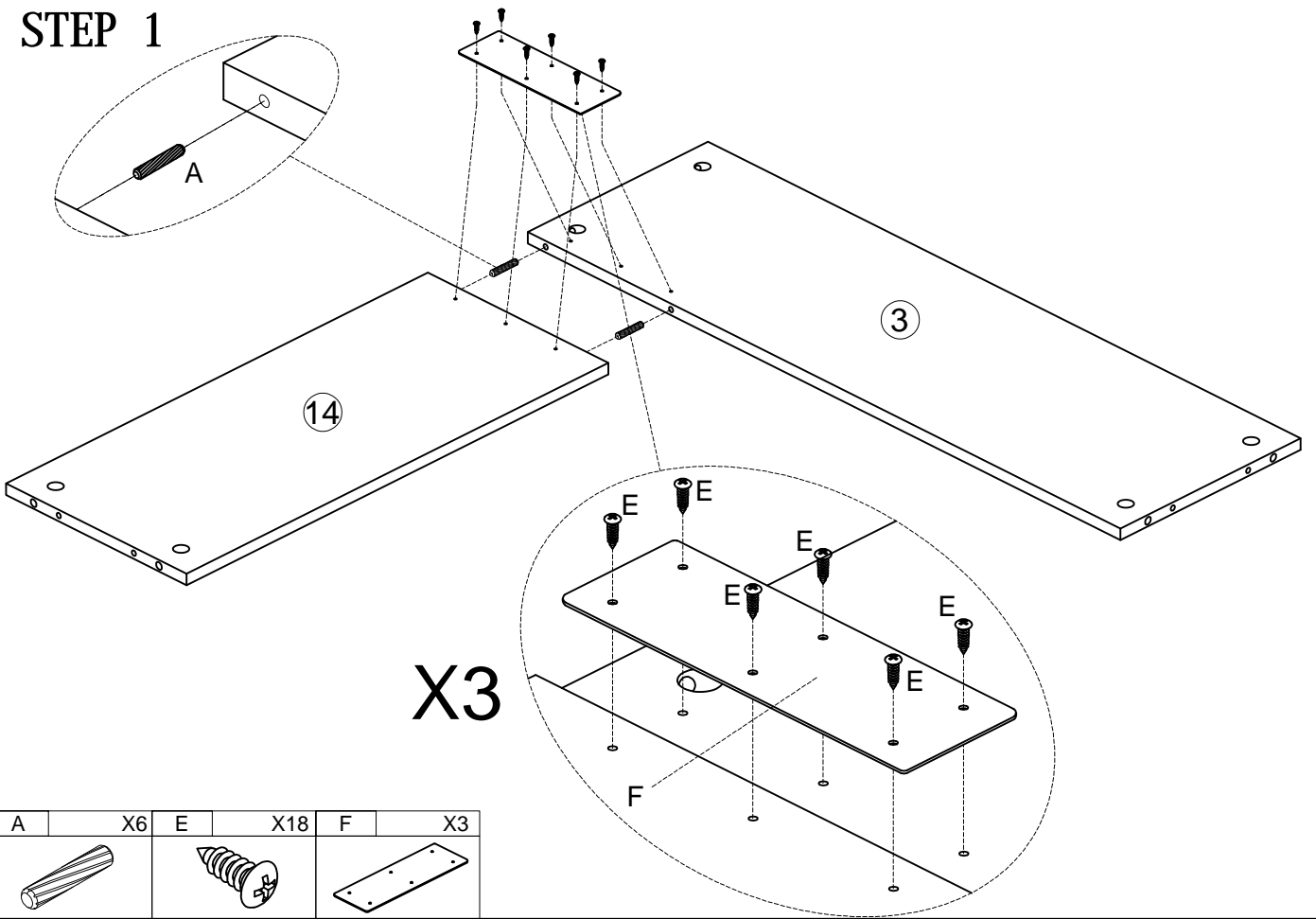
| | | | | |
|---|---|--|--|--|
| A x77  Ø6x30mm | B x71  Ø6x35mm | C x71  Ø15x10mm | D x13  Ø5x38mm | E x108  Ø8x4x12mm |
| spare:5 spare:5 spare:5 spare:1 spare:8 | | | | |
| F x5  | G x2  | H x2  | I x36  Ø20mm | J x4  |
| spare:4 | | | | |
| K x8  Ø7xØ3.5x12mm |  | | | |

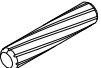


ASSEMBLY INSTRUCTIONS

| | | | |
|--|--|---|--|
| 1  X1 | 2  X1 | 3  X3 | 4  X1 |
| 5  X1 | 6  X1 | 7  X1 | 8  X1 |
| 9  X1 | 10  X1 | 11  X1 | 12  X1 |
| 13  X1 | 14  X3 | 15  X1 | 16  X1 |
| 17  X1 | 18  X1 | 19  X4 | 20  X1 |
| 21  X1 | 22  X1 | 23  X1 | 24  X2 |
| 25  X1 | 26  X2 | 27  X1 | 28  X1 |
| 29  X1 | | | |

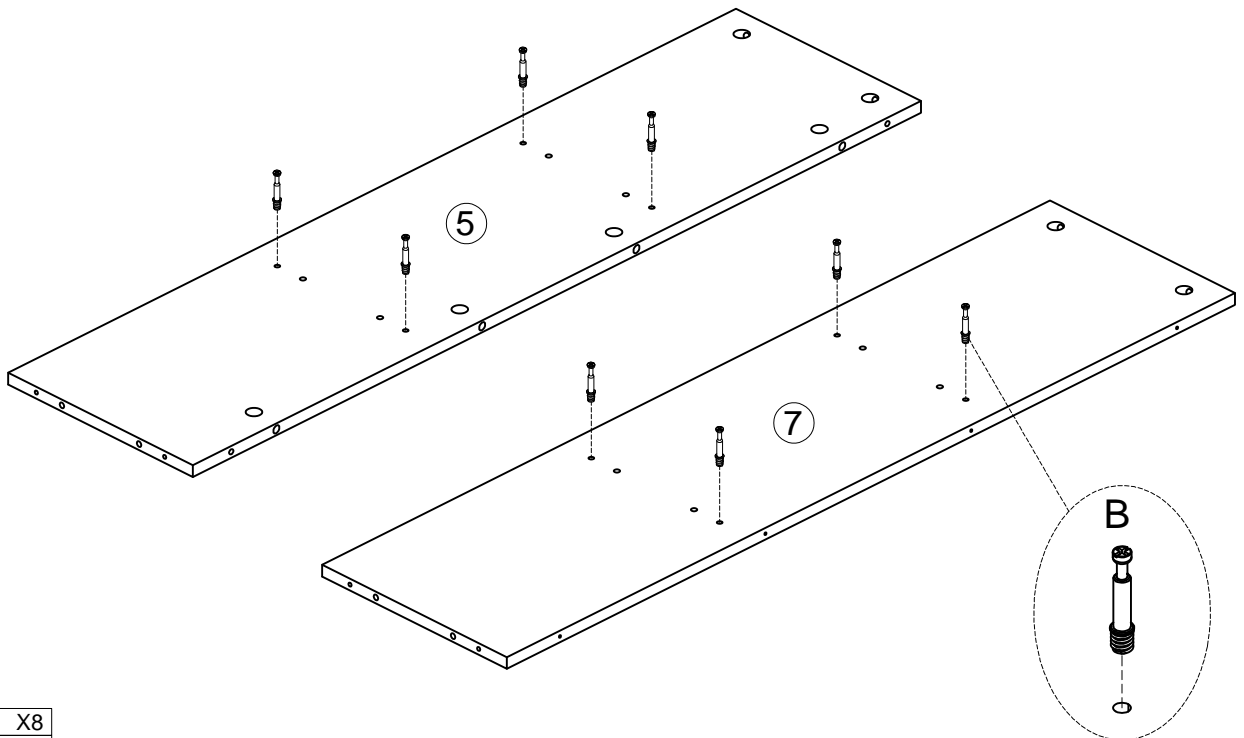
INSTALLATION

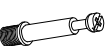
STEP 1



| | | | | | |
|---|----|---|-----|---|----|
| A | X6 | E | X18 | F | X3 |
|  | |  | |  | |

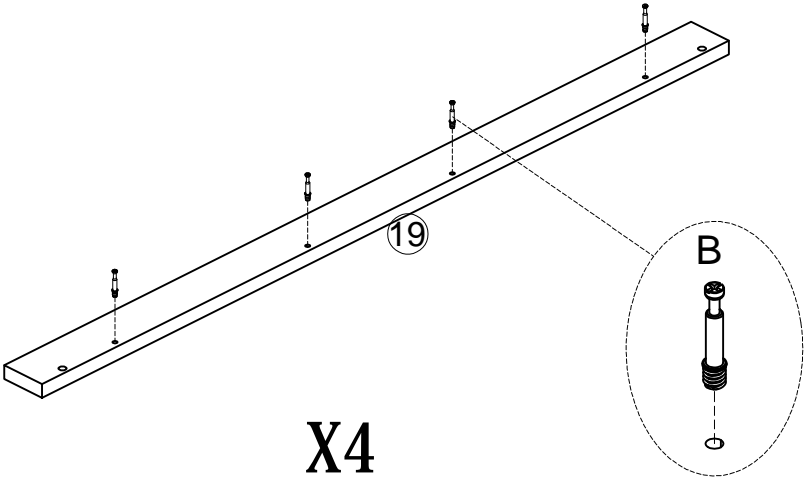
STEP 2



| | |
|---|----|
| B | X8 |
|  | |

INSTALLATION

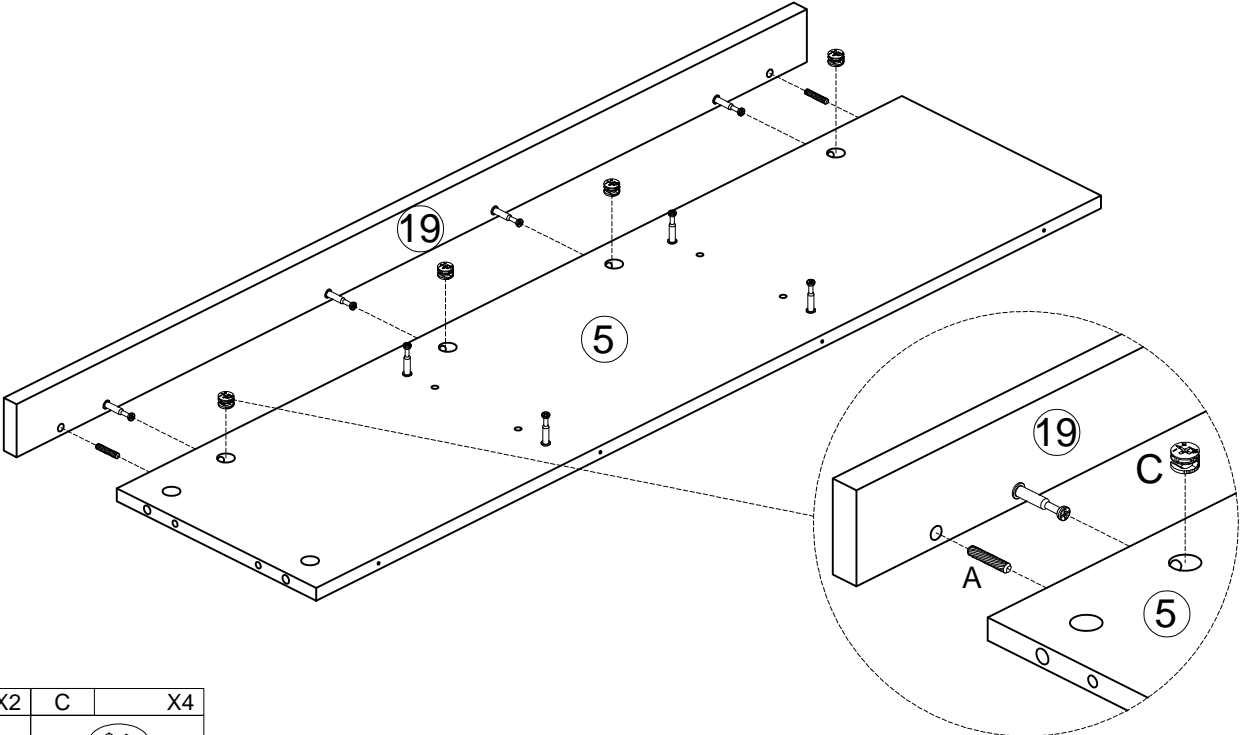
STEP 3



X4

| | |
|---|-----|
| B | X16 |
| | |

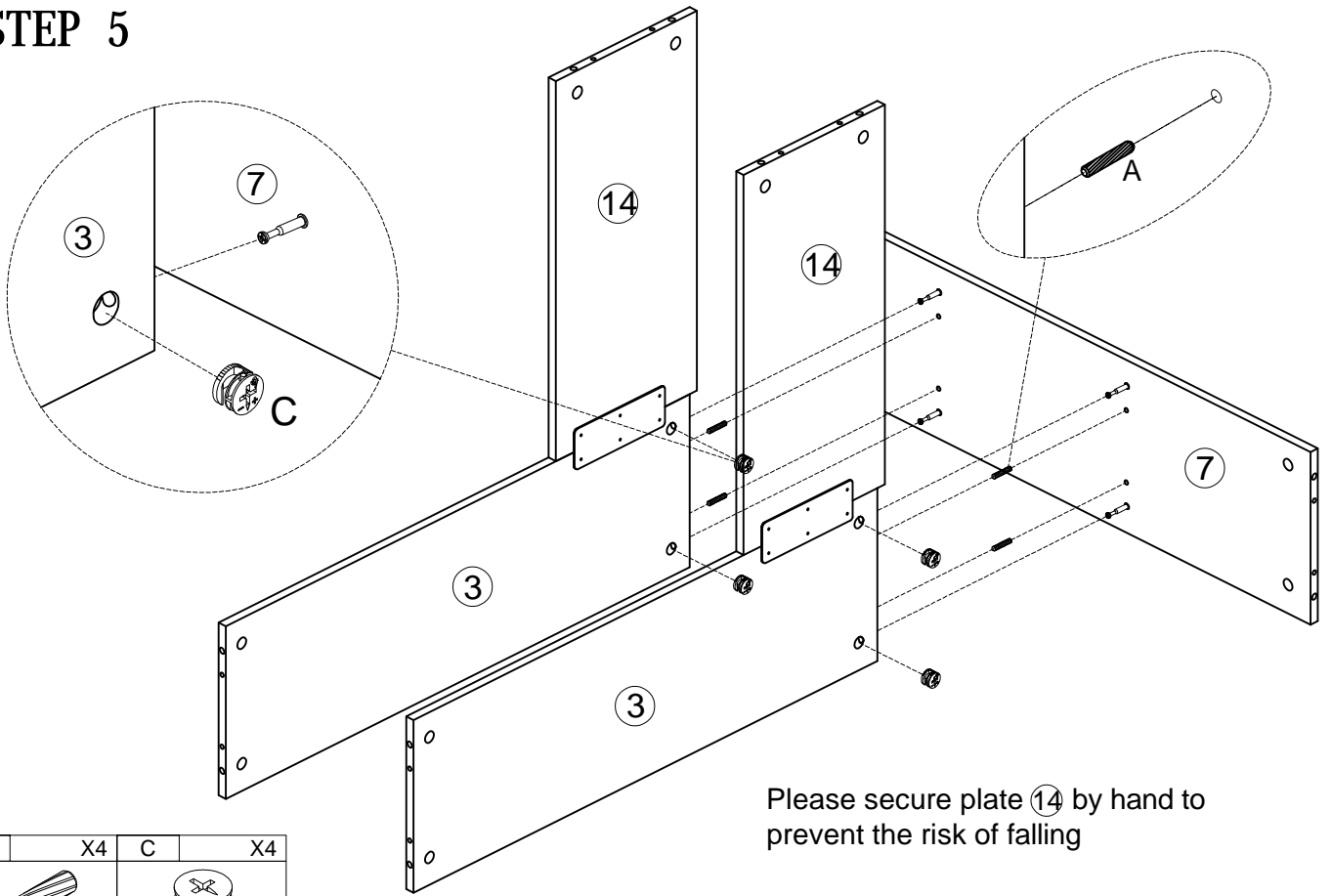
STEP 4





| | | | |
|---|----|---|----|
| A | X2 | C | X4 |
| | | | |

INSTALLATION

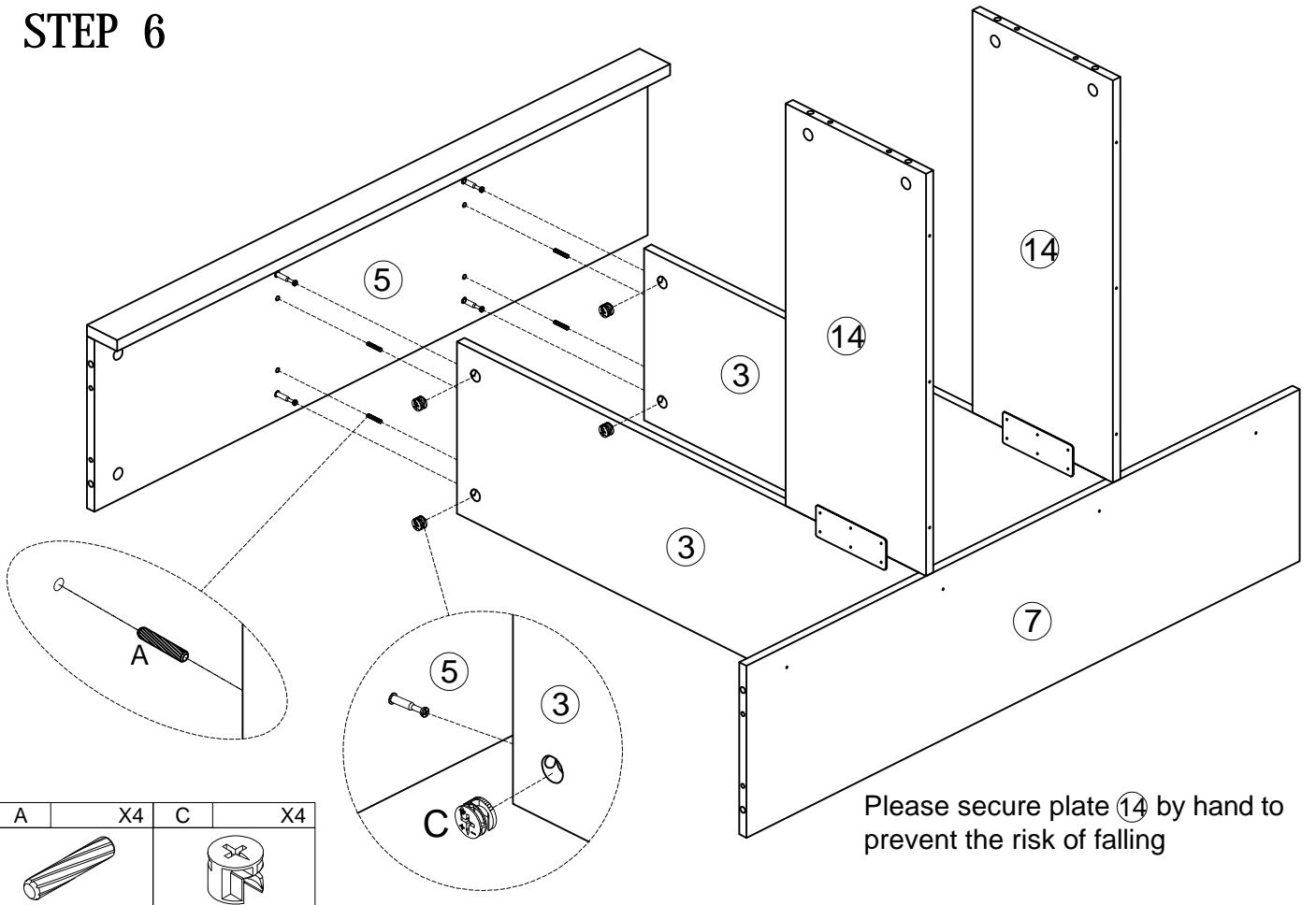
STEP 5




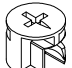
Please secure plate 14 by hand to prevent the risk of falling

| | | | |
|---|----|---|----|
| A | X4 | C | X4 |
|  | |  | |

STEP 6

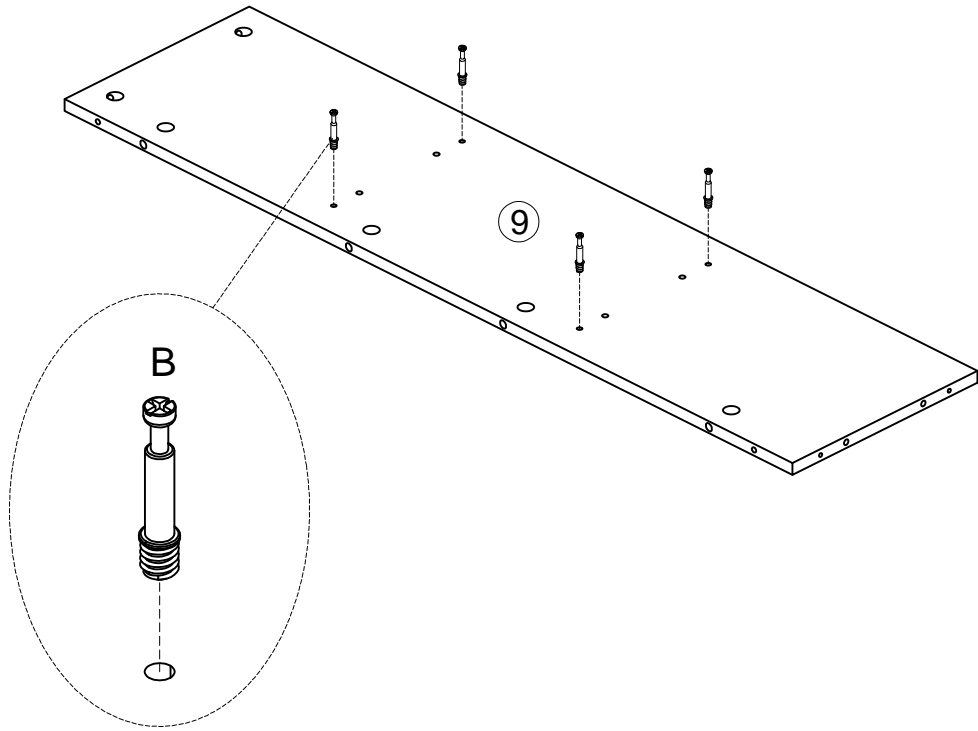


Please secure plate 14 by hand to prevent the risk of falling

| | | | |
|---|----|---|----|
| A | X4 | C | X4 |
|  | |  | |

INSTALLATION

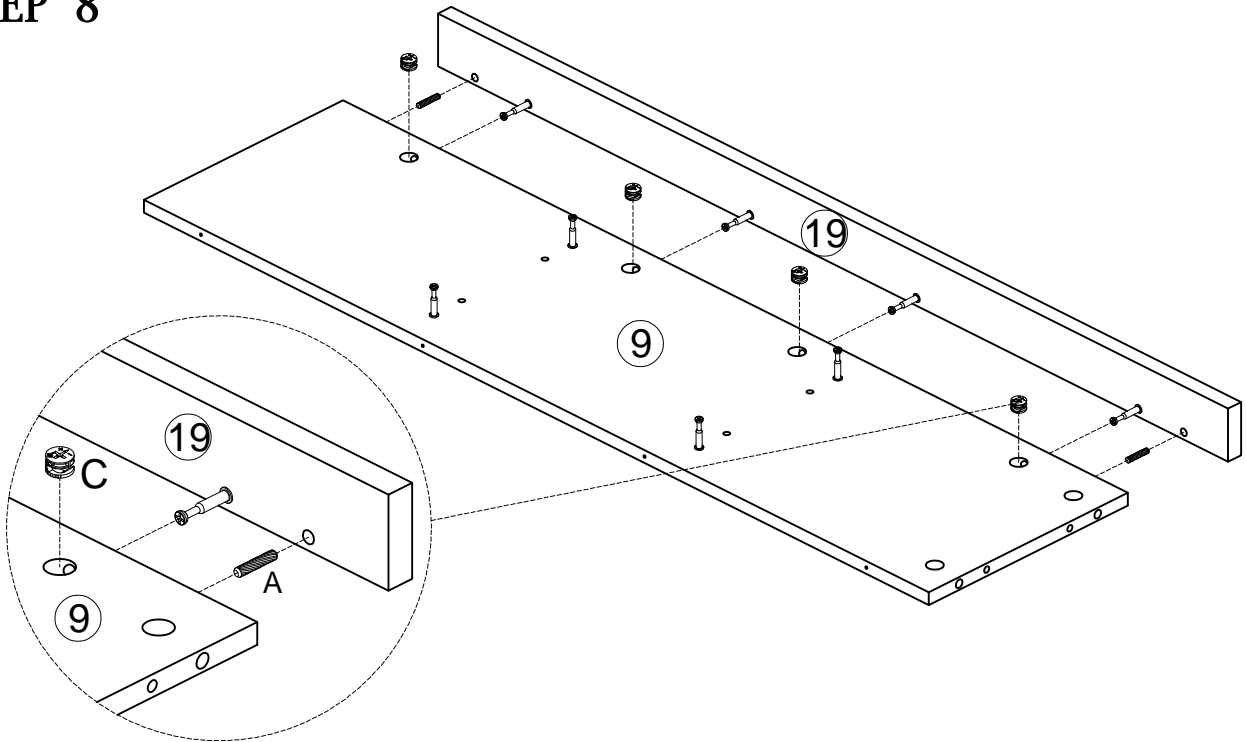
STEP 7



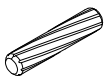
| | |
|---|----|
| B | X4 |
|---|----|



STEP 8

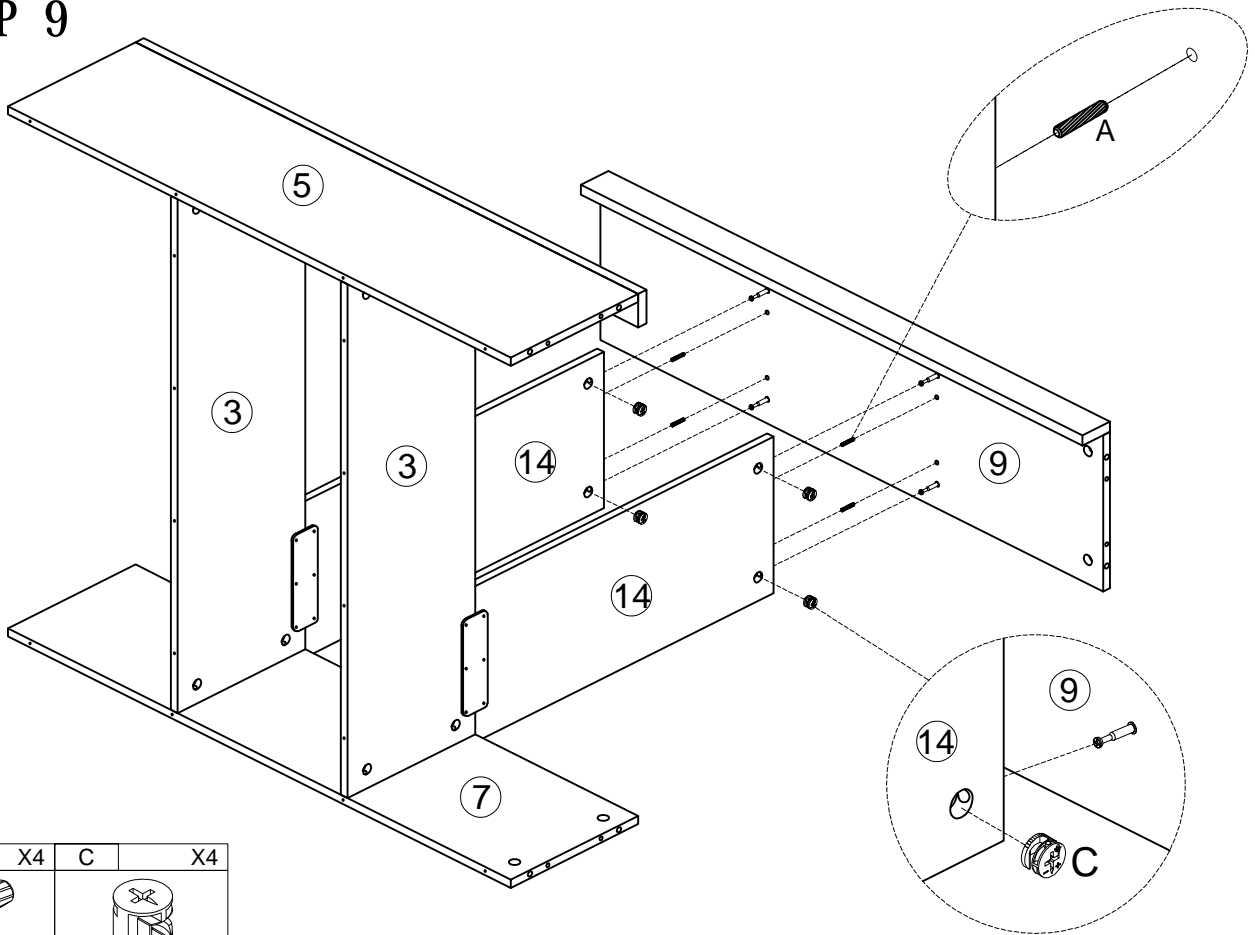




| | | | |
|---|----|---|----|
| A | X2 | C | X4 |
|---|----|---|----|



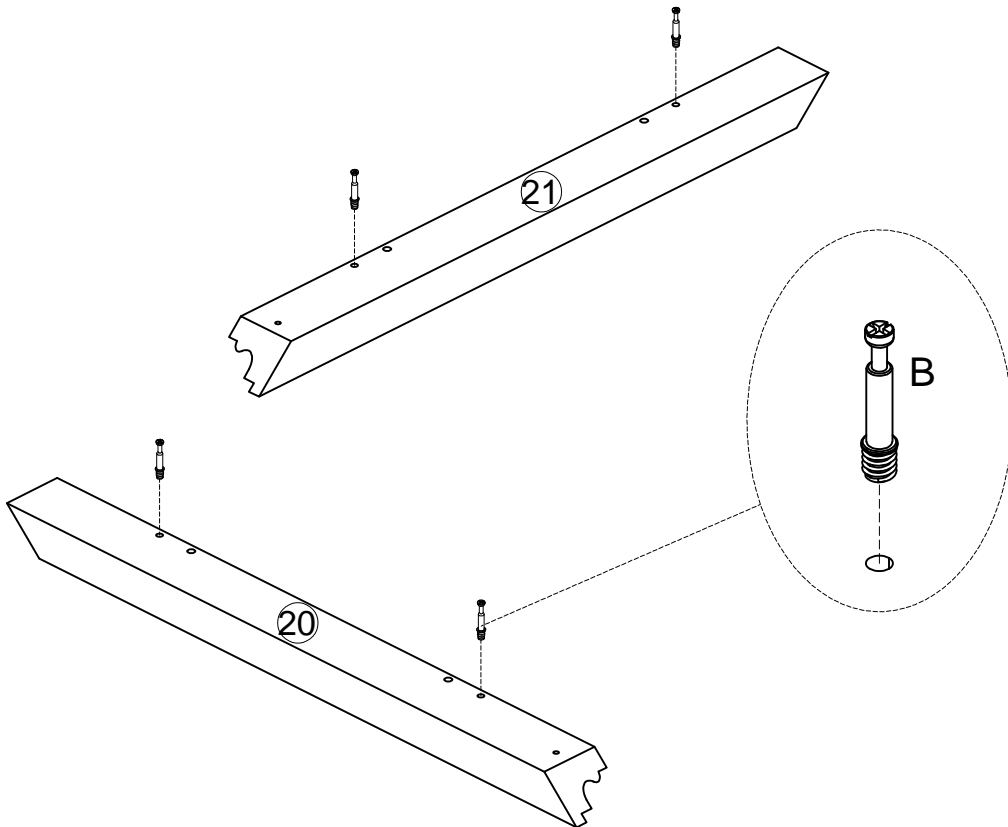
INSTALLATION

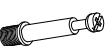
STEP 9



| | | | |
|---|----|---|----|
| A | X4 | C | X4 |
|  | |  | |

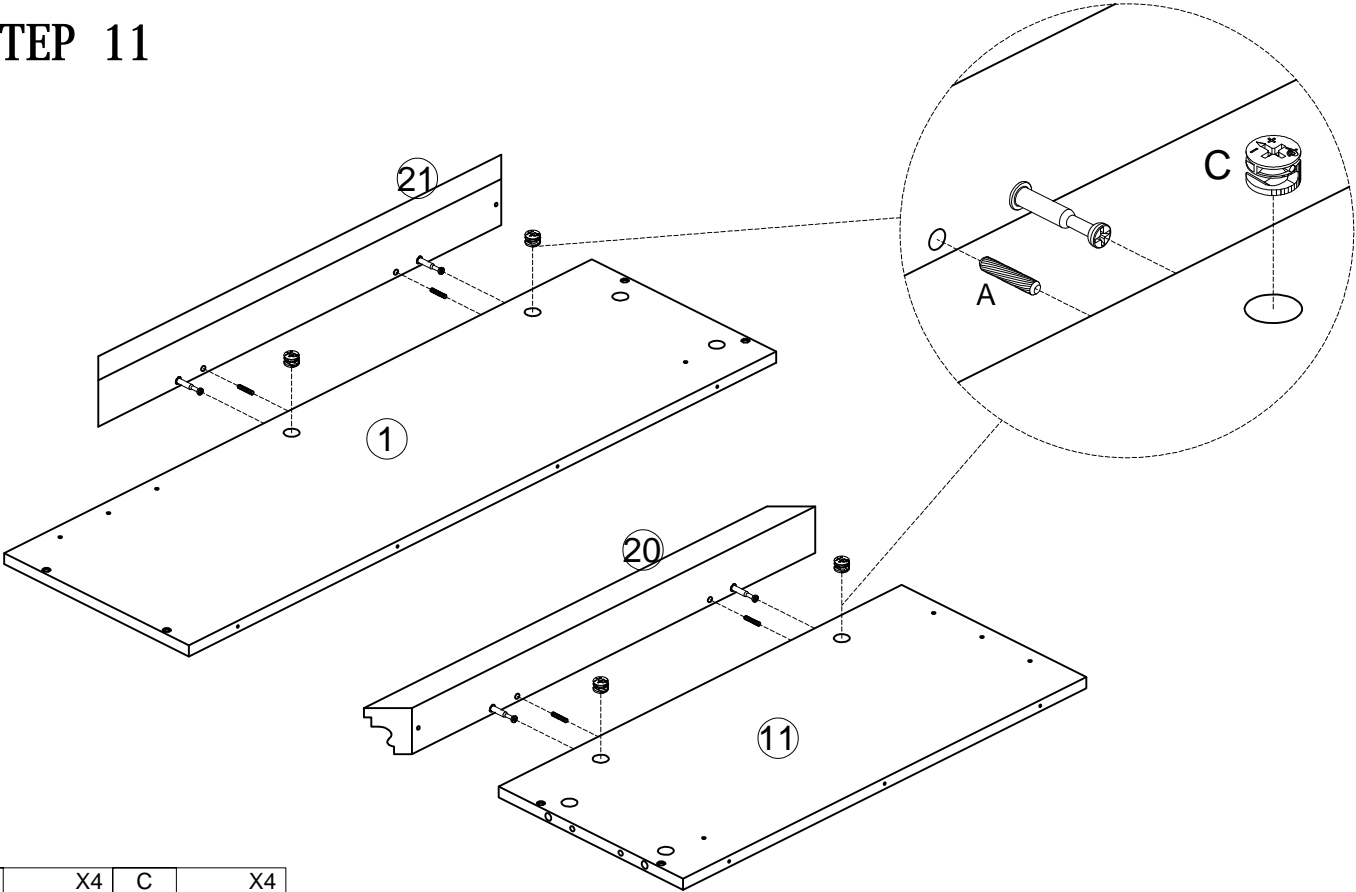
STEP 10





| | |
|---|----|
| B | X4 |
|  | |

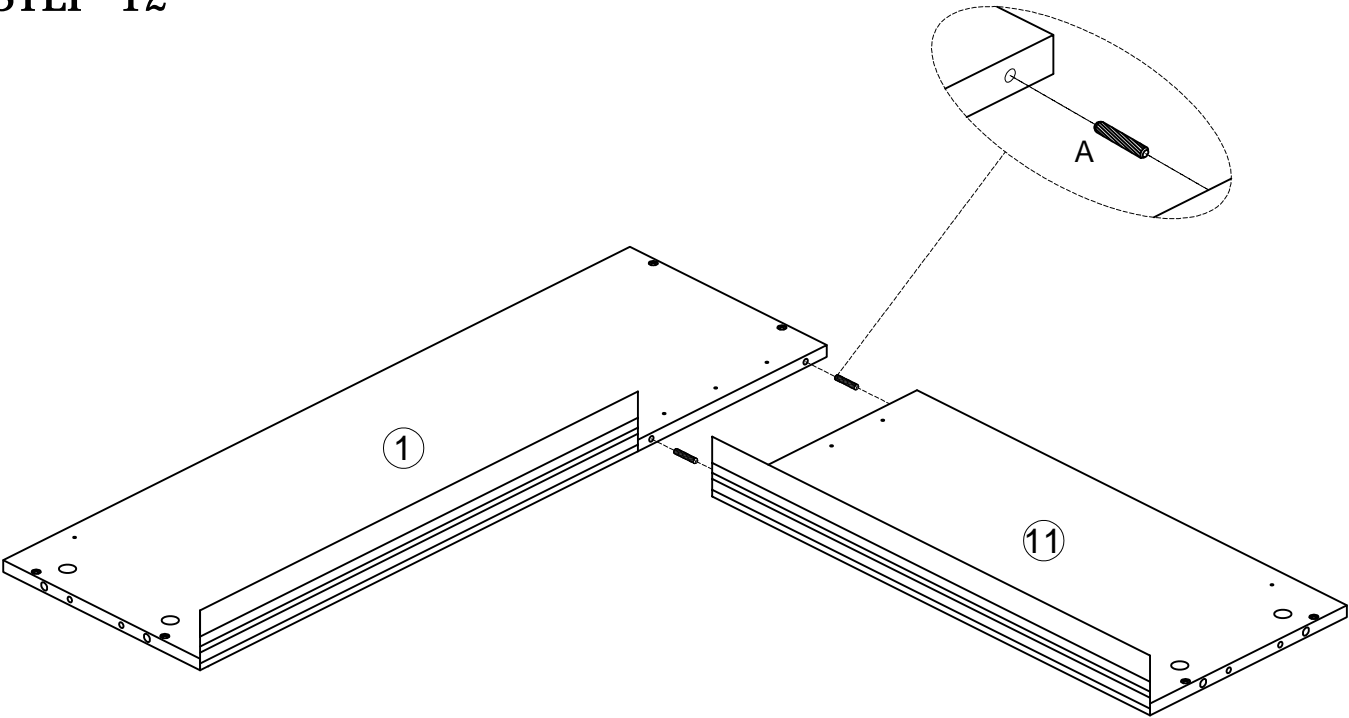
INSTALLATION

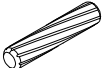
STEP 11



| | | | |
|---|----|---|----|
| A | X4 | C | X4 |
|  | |  | |

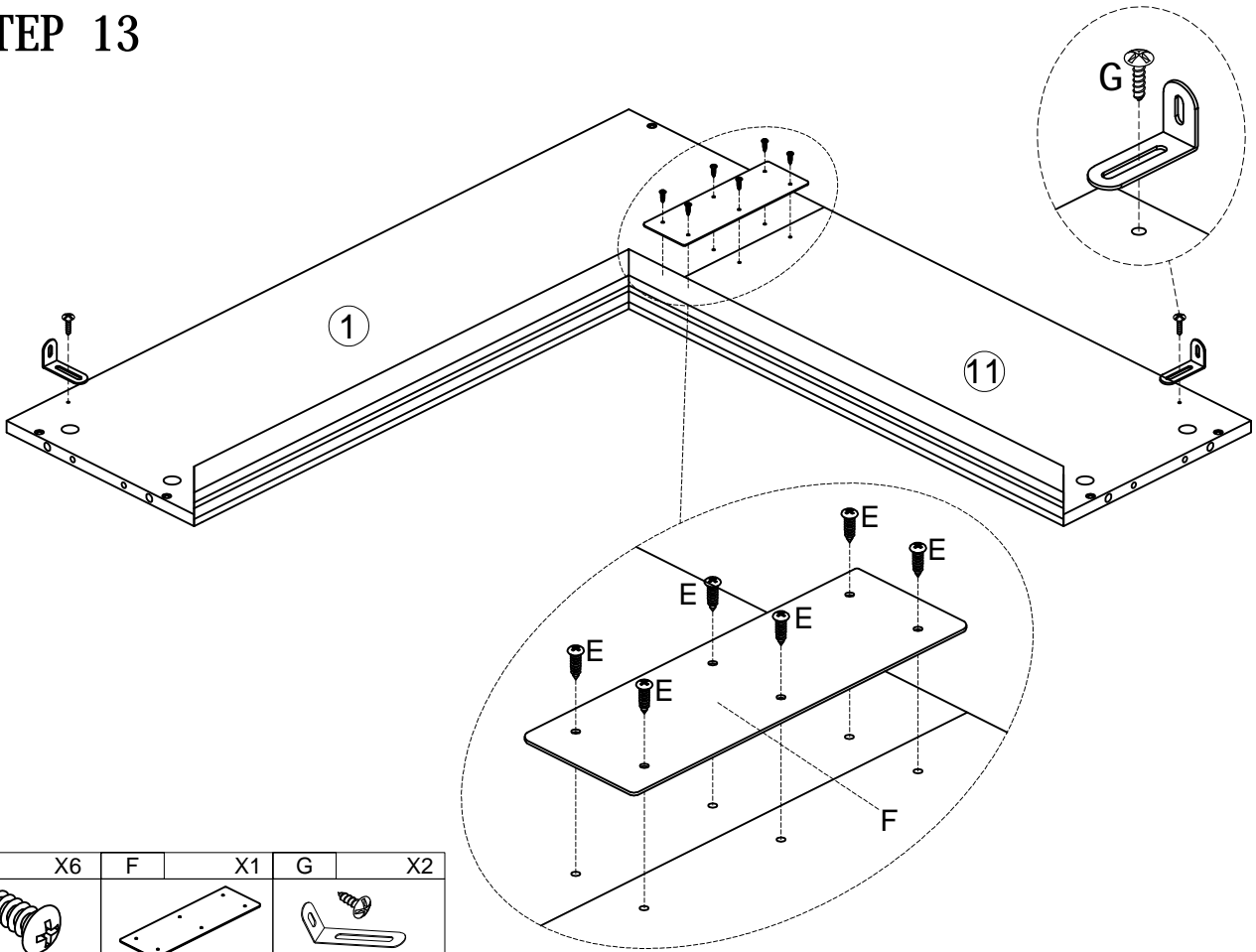
STEP 12






| | |
|---|----|
| A | X2 |
|  | |

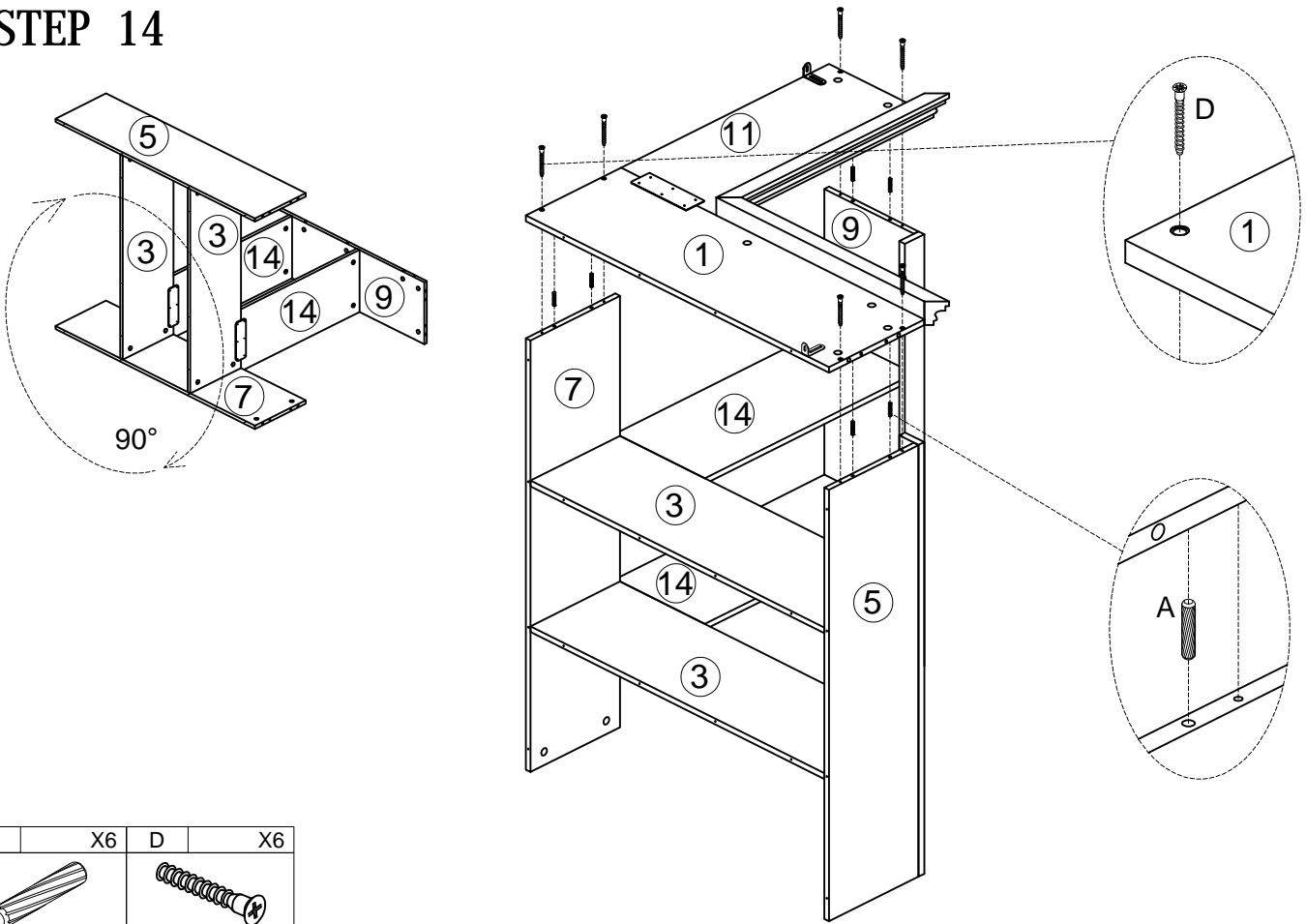
INSTALLATION


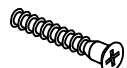
STEP 13



| | | | | | |
|---|----|---|----|---|----|
| E | X6 | F | X1 | G | X2 |
|  | |  | |  | |

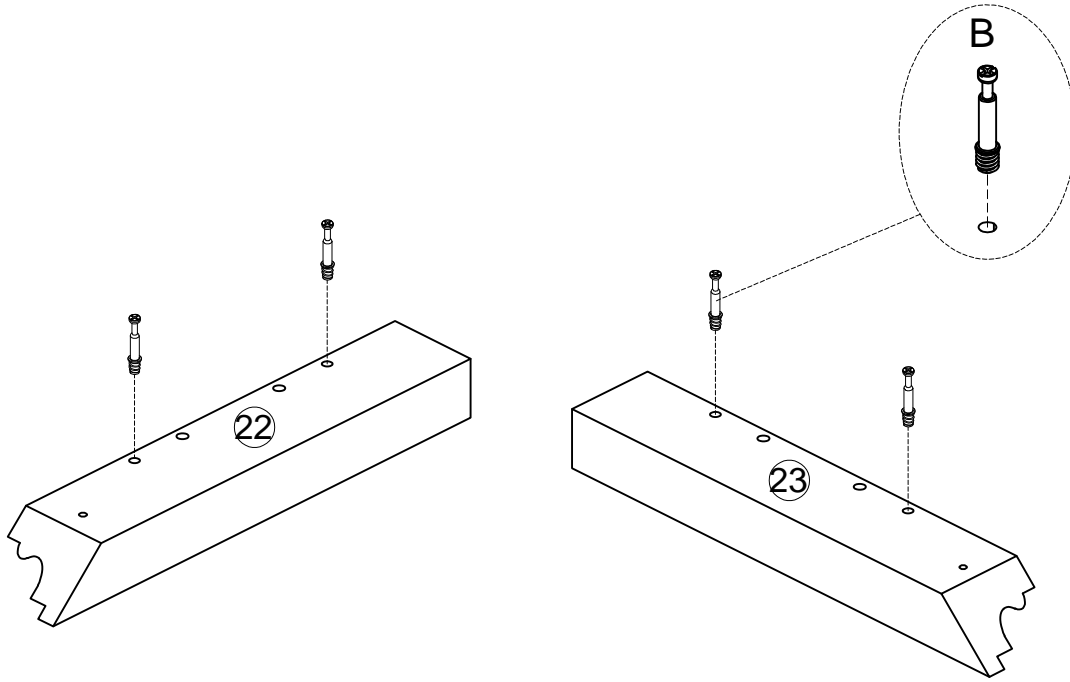
STEP 14



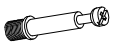
| | | | |
|---|----|---|----|
| A | X6 | D | X6 |
|  | |  | |

INSTALLATION

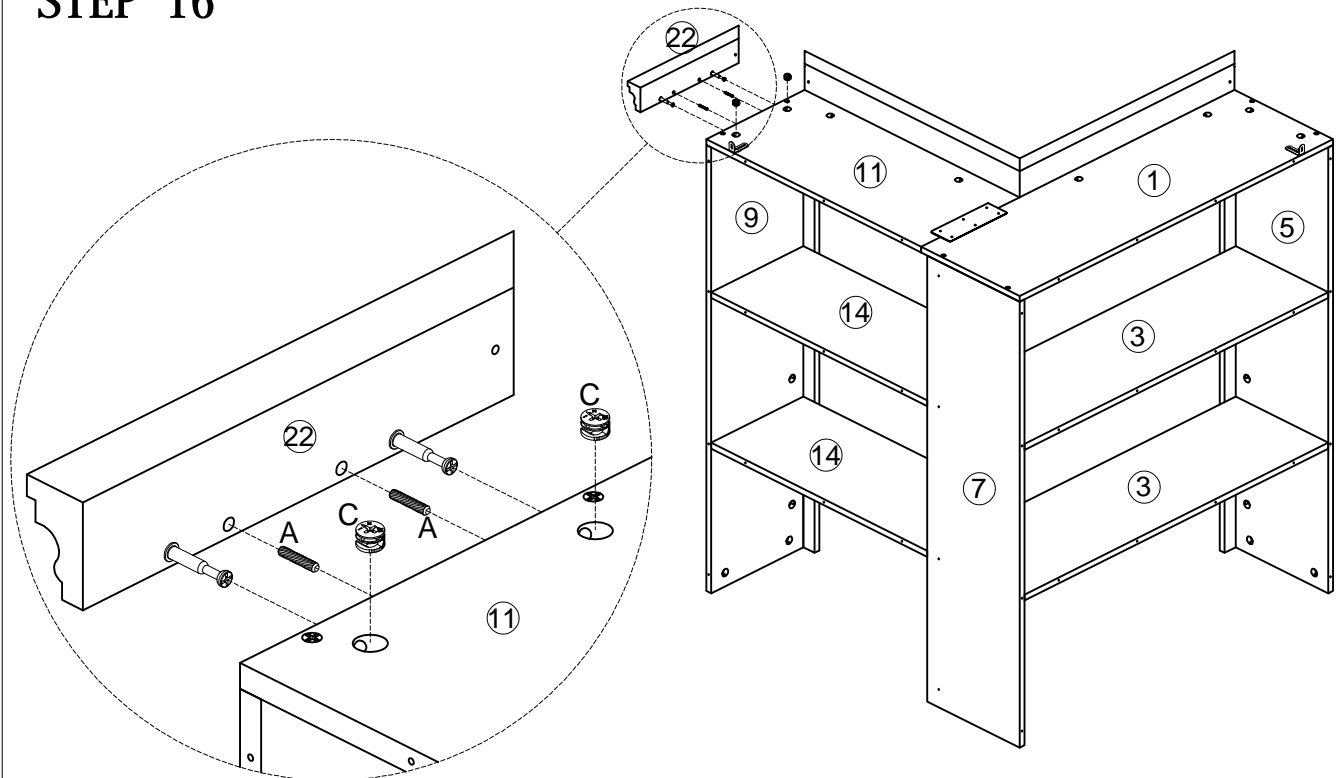
STEP 15



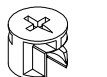
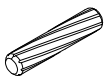
| | |
|---|----|
| B | X4 |
|---|----|



STEP 16

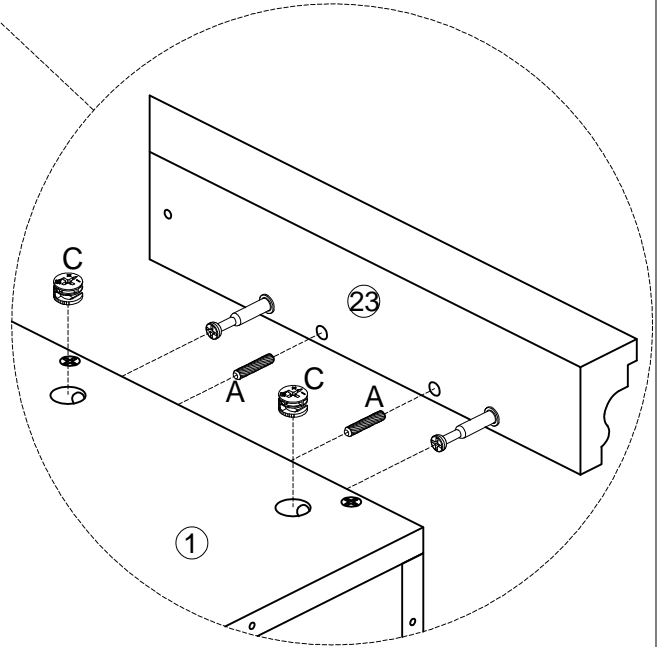
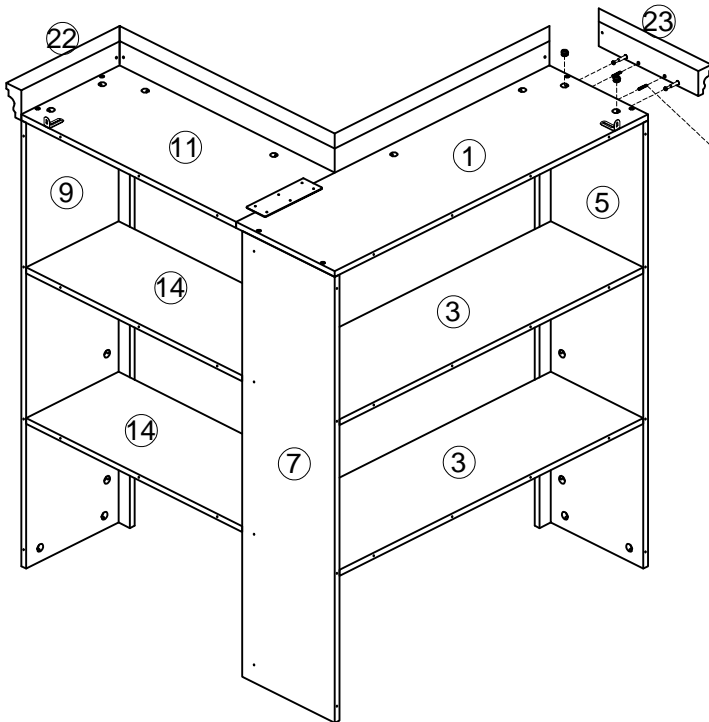


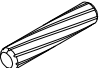

| | | | |
|---|----|---|----|
| A | X2 | C | X2 |
|---|----|---|----|



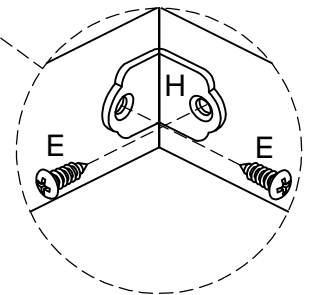
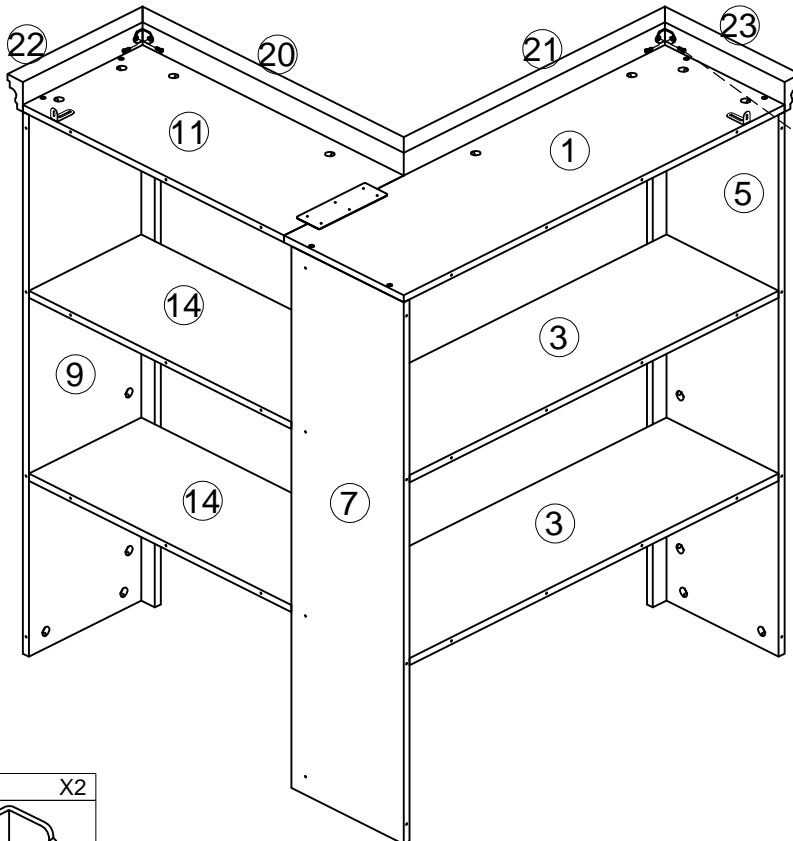
INSTALLATION



STEP 17



| | | | |
|---|----|---|----|
| A | X2 | C | X2 |
|  | |  | |

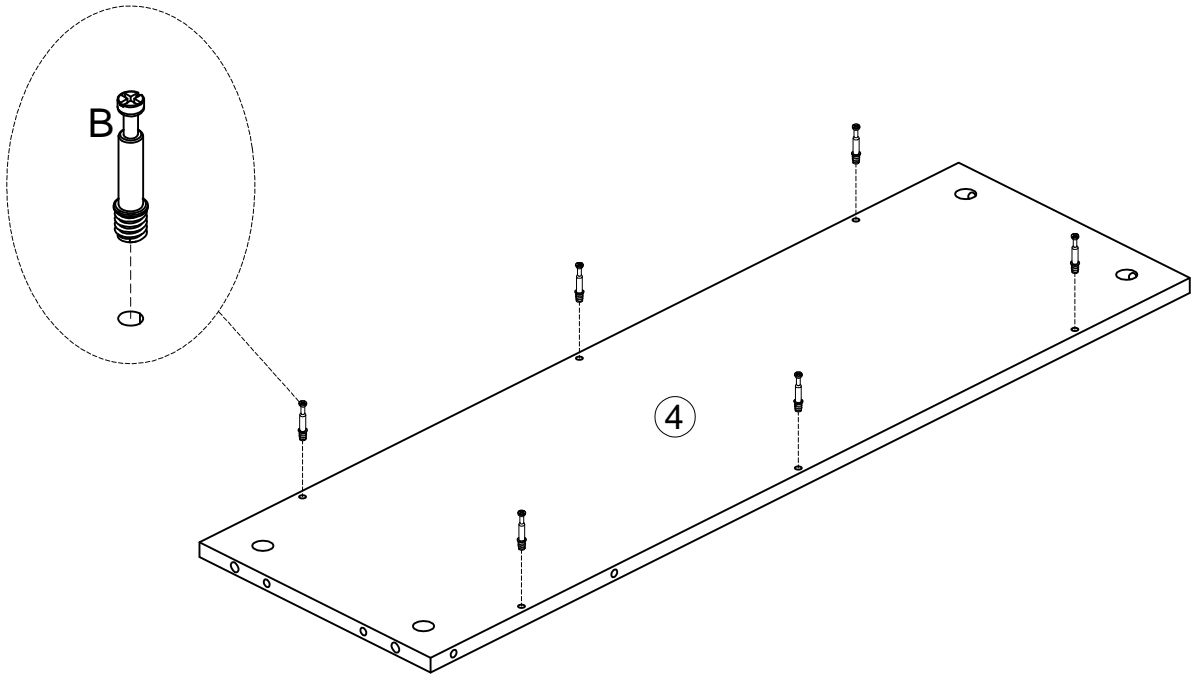
STEP 18



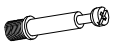
| | | | |
|---|----|---|----|
| E | X4 | H | X2 |
|  | |  | |

INSTALLATION

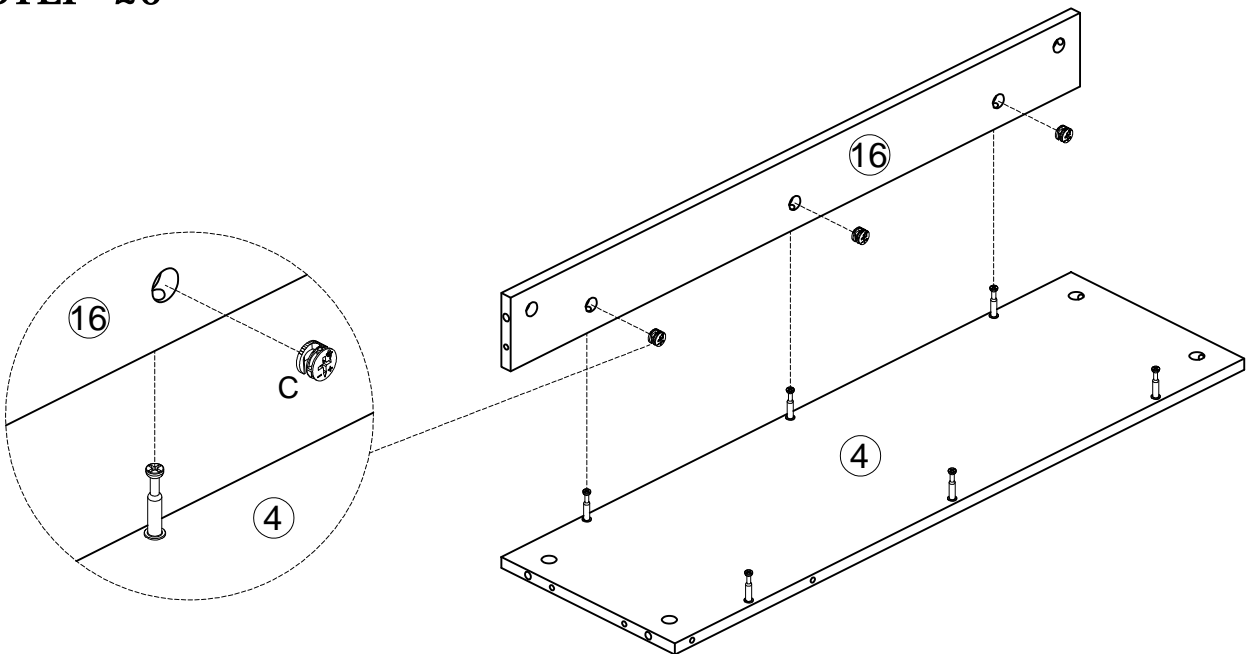
STEP 19



B X6



STEP 20

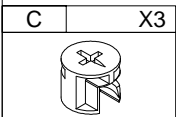
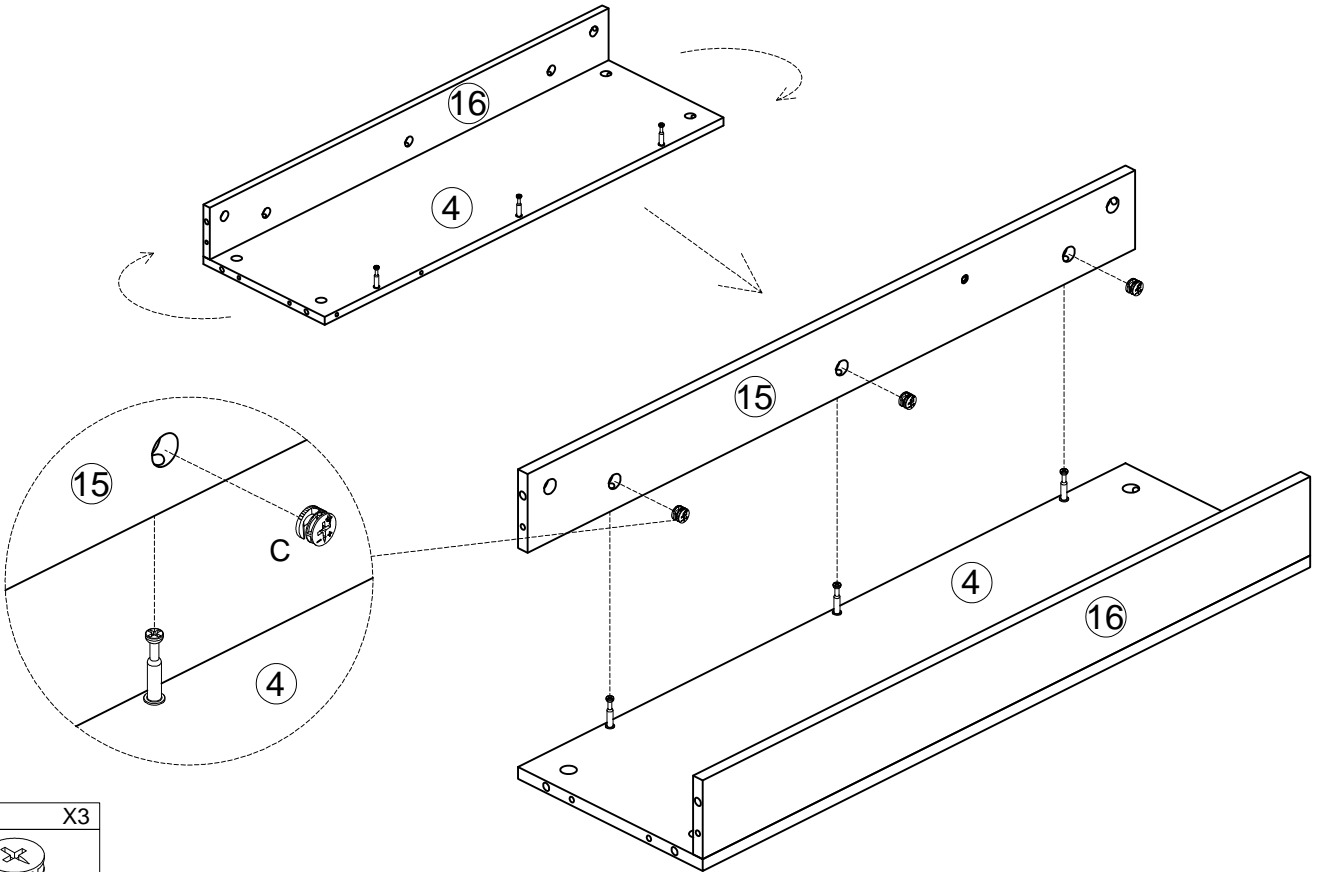


C X3

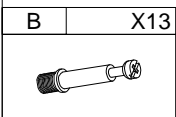
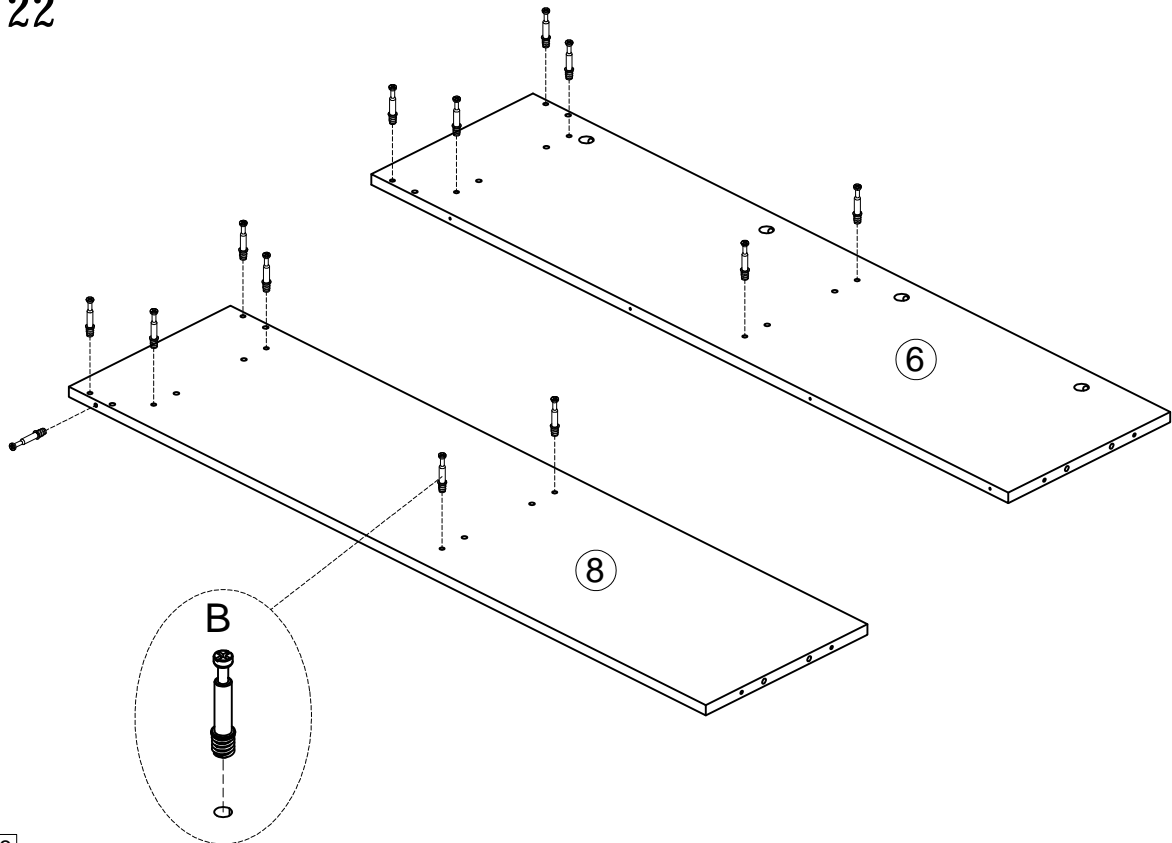


INSTALLATION

STEP 21

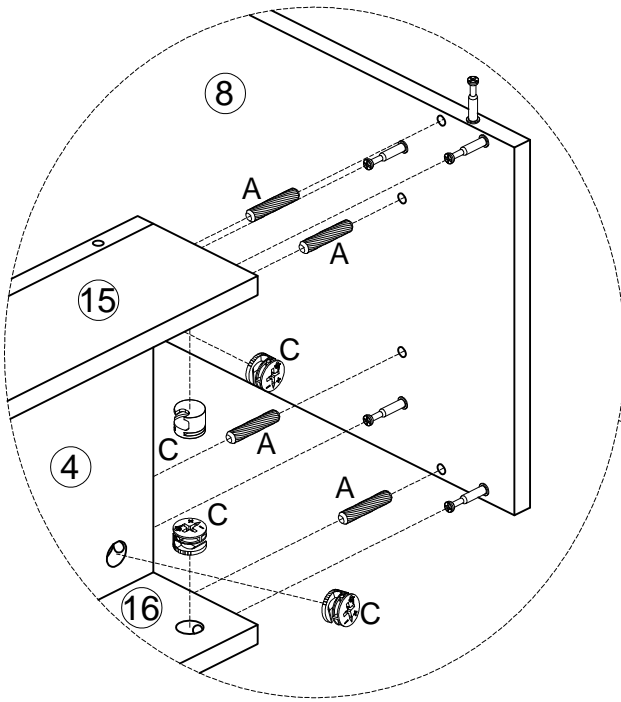


STEP 22

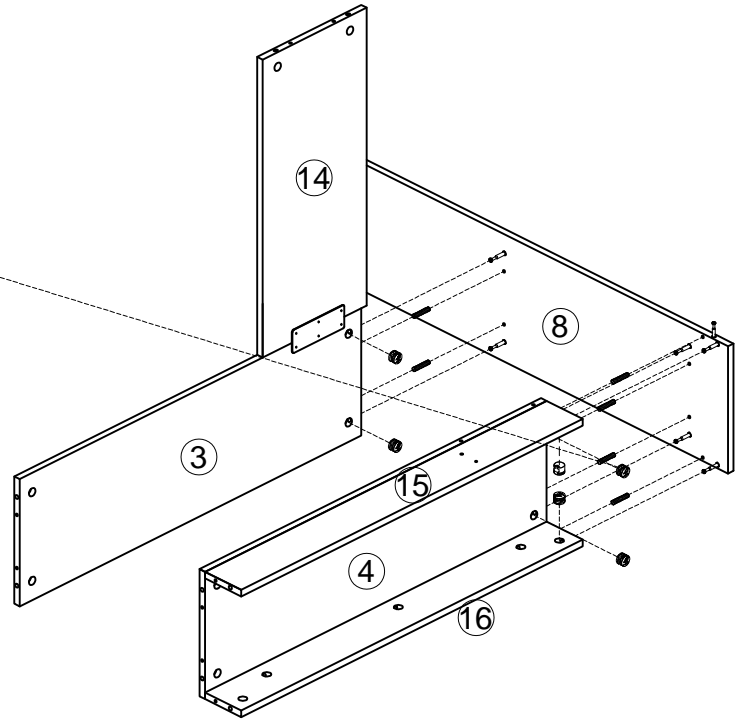


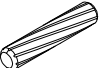

INSTALLATION

STEP 23

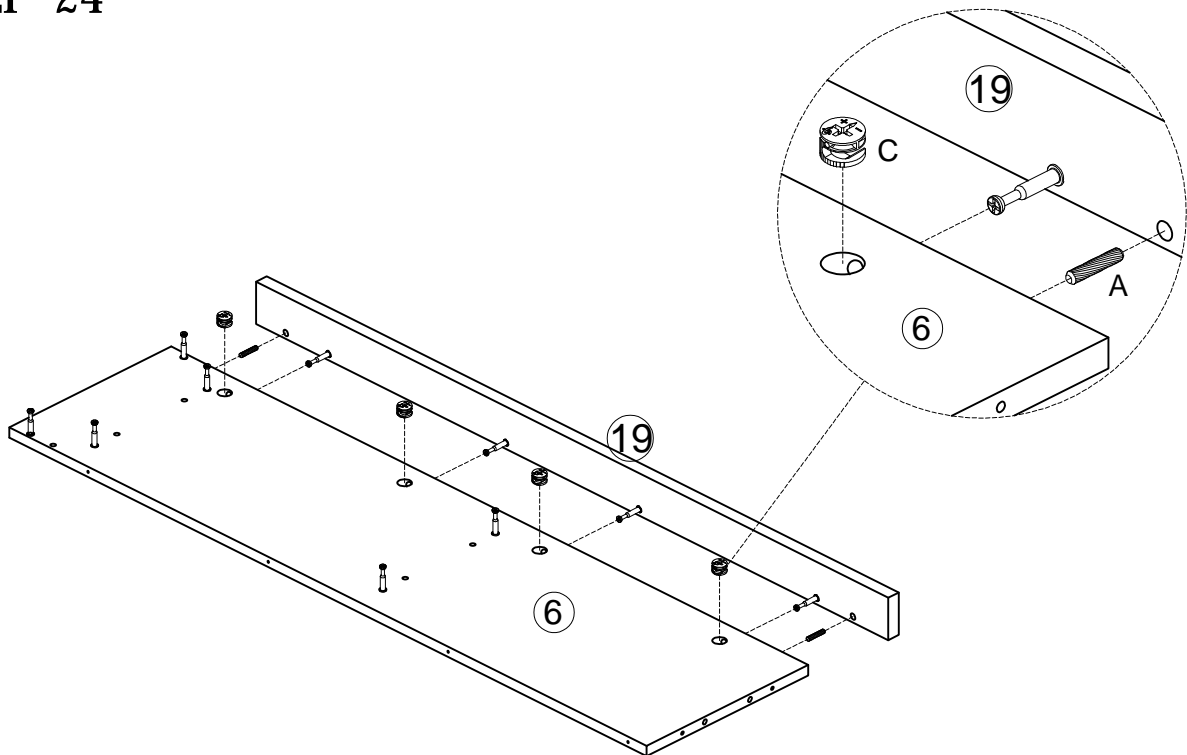




Please secure plate ⑭ by hand to prevent the risk of falling



| | | | |
|---|----|---|----|
| A | X6 | C | X6 |
|  | |  | |

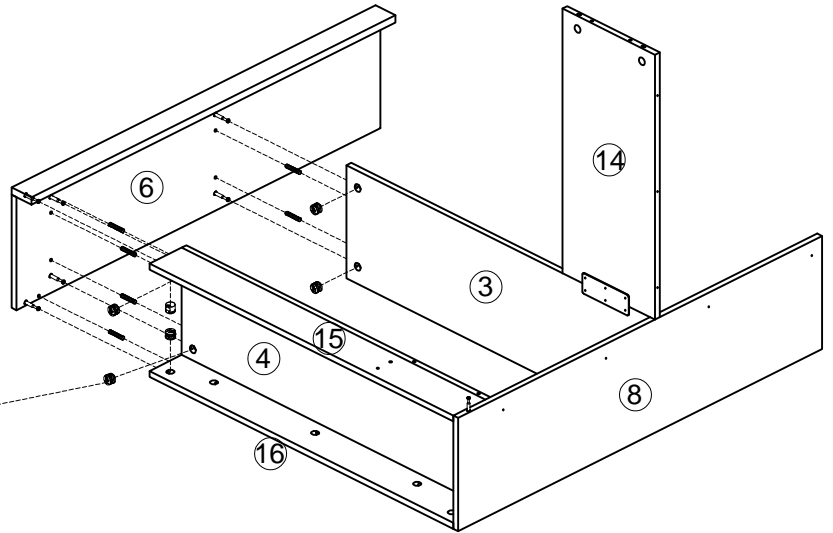
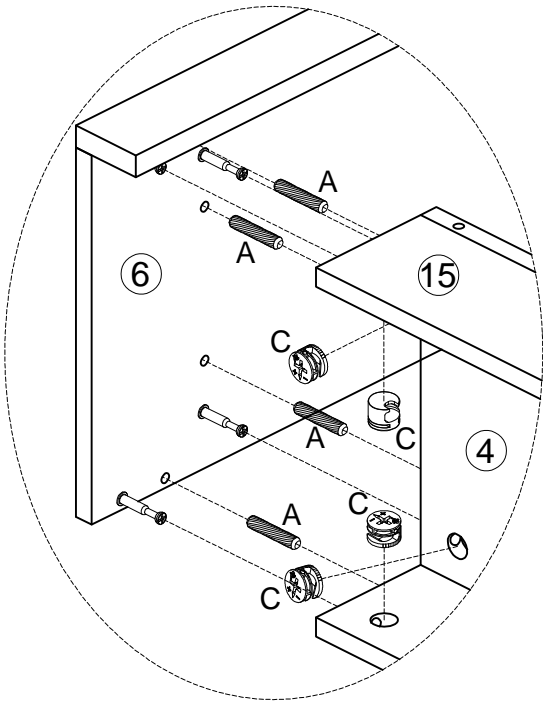
STEP 24





| | | | |
|---|----|---|----|
| A | X2 | C | X4 |
|  | |  | |

INSTALLATION

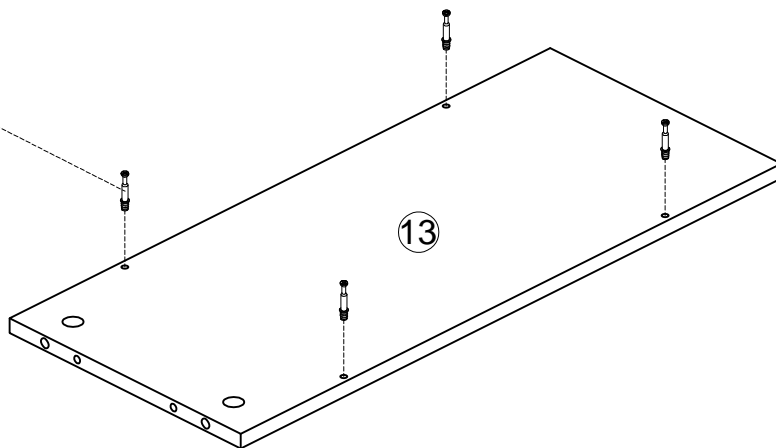
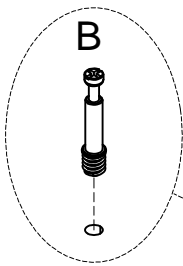
STEP 25

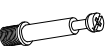


Please secure plate ⑭ by hand to prevent the risk of falling

| | | | |
|---|----|---|----|
| A | X6 | C | X6 |
|  | |  | |

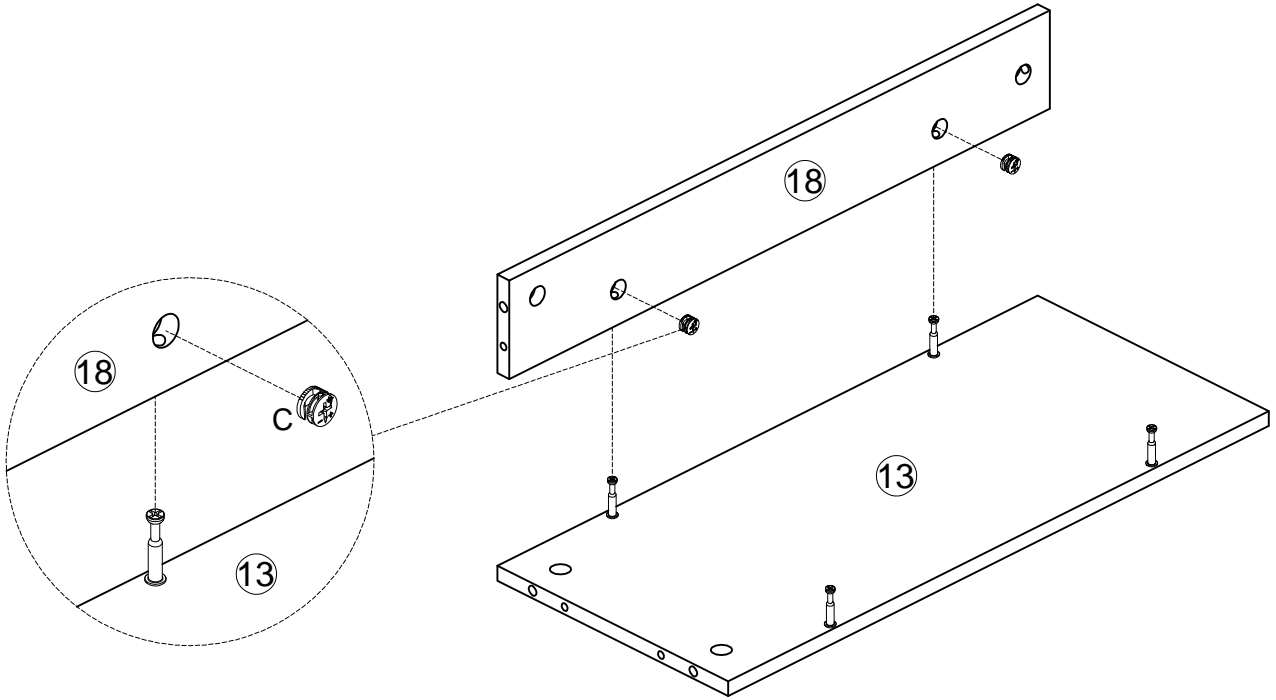
STEP 26



| | |
|---|----|
| B | X4 |
|  | |

INSTALLATION

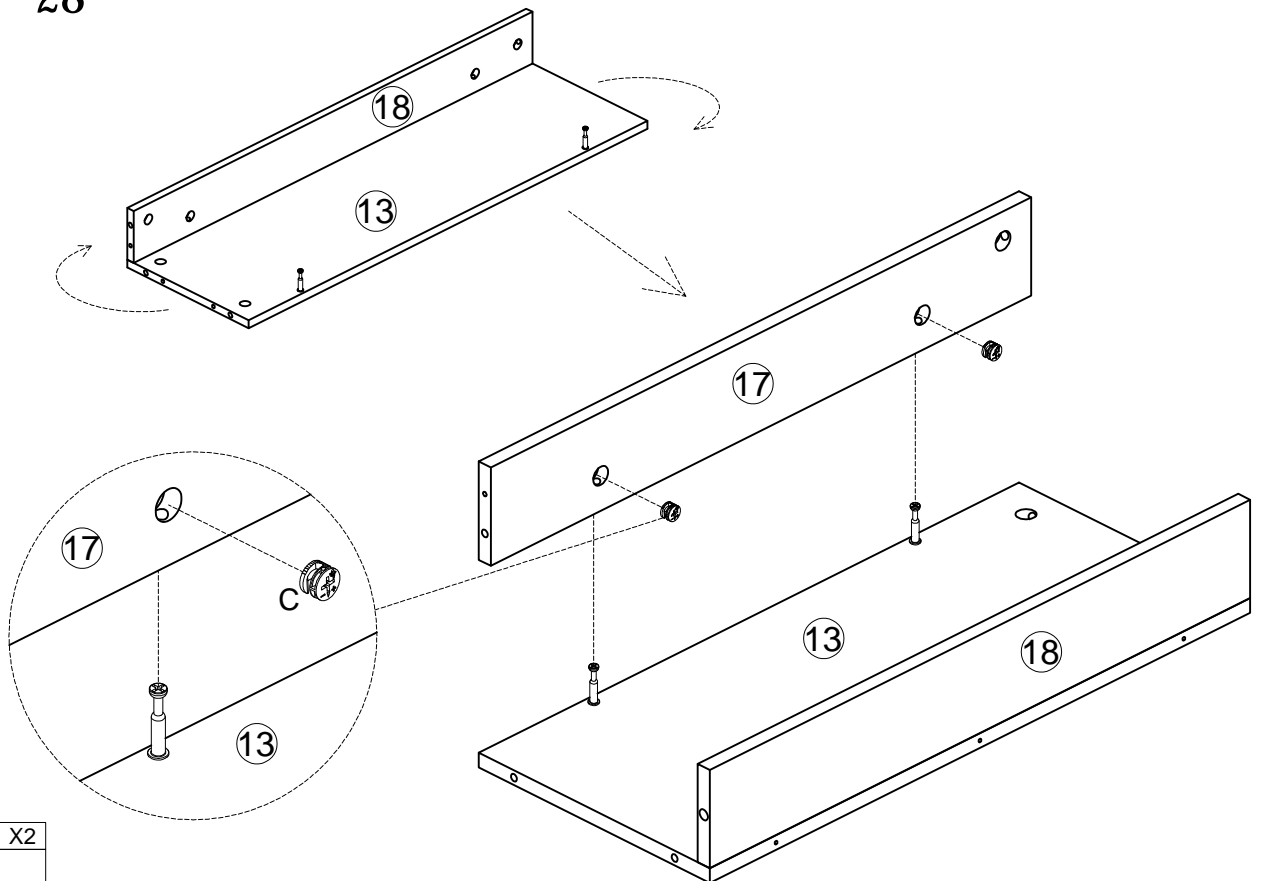
STEP 27



C X2



STEP 28

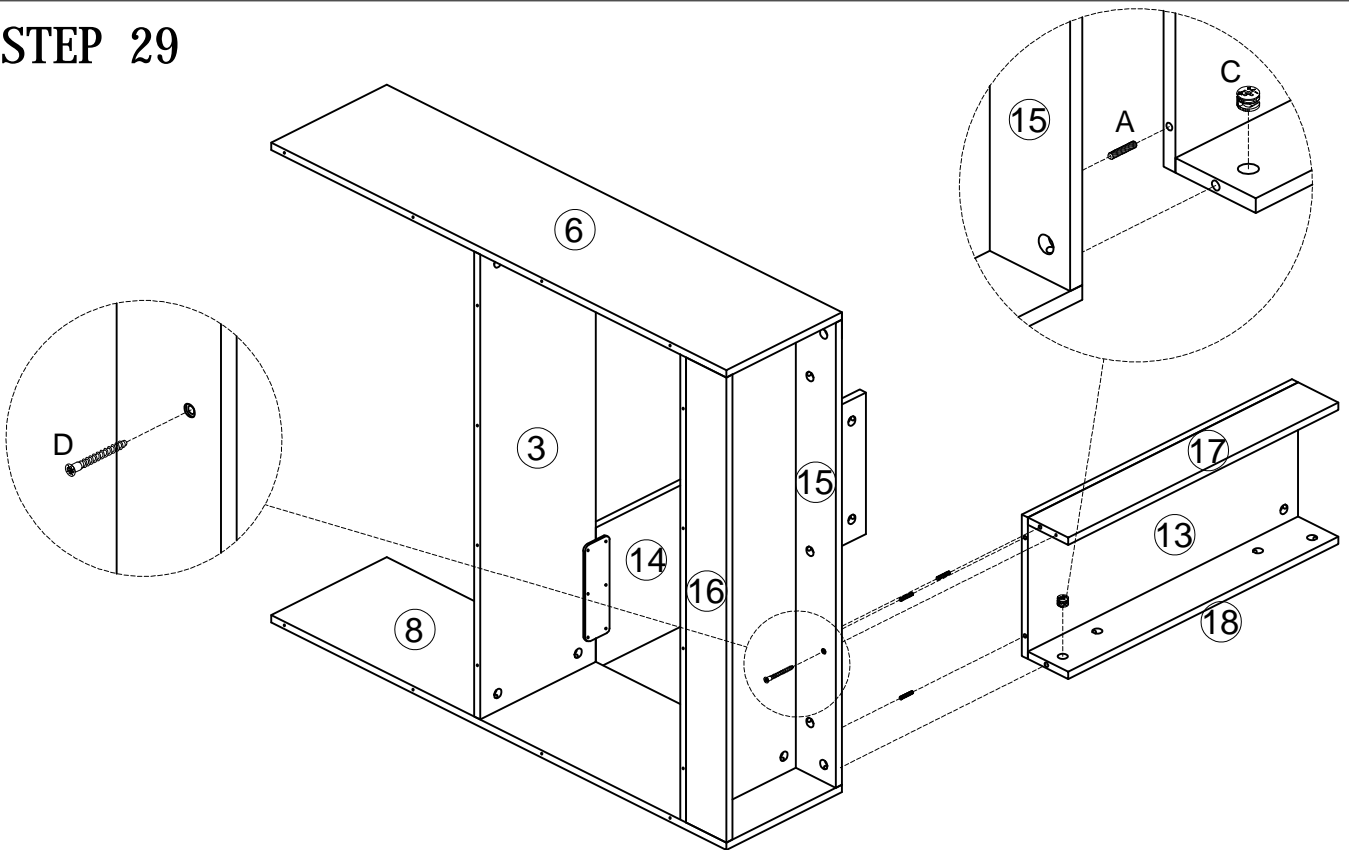




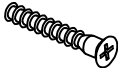
C X2



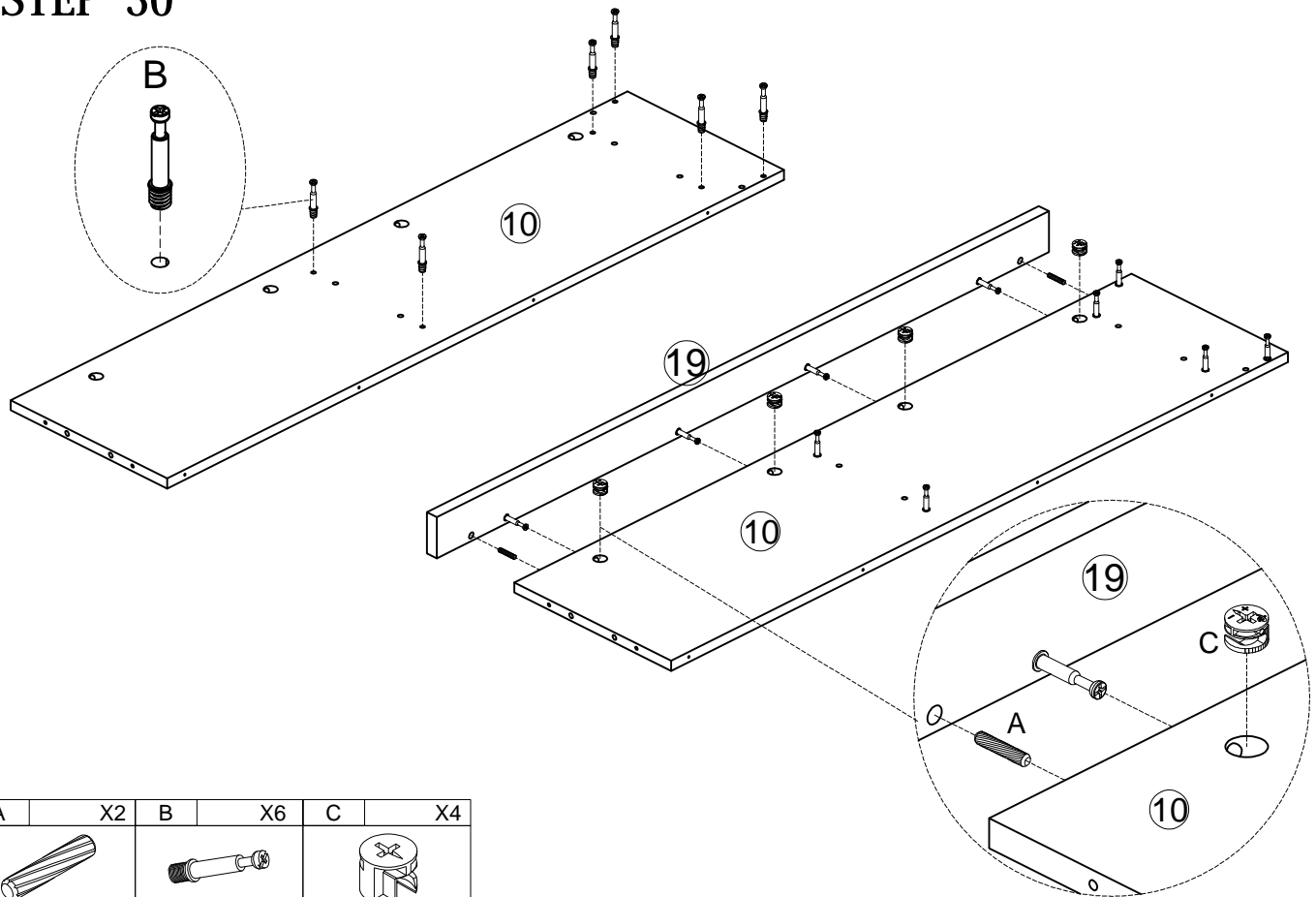
INSTALLATION


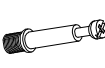
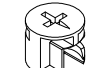
STEP 29



| | | | | | |
|---|----|---|----|---|----|
| A | X3 | C | X1 | D | X1 |
|  | |  | |  | |

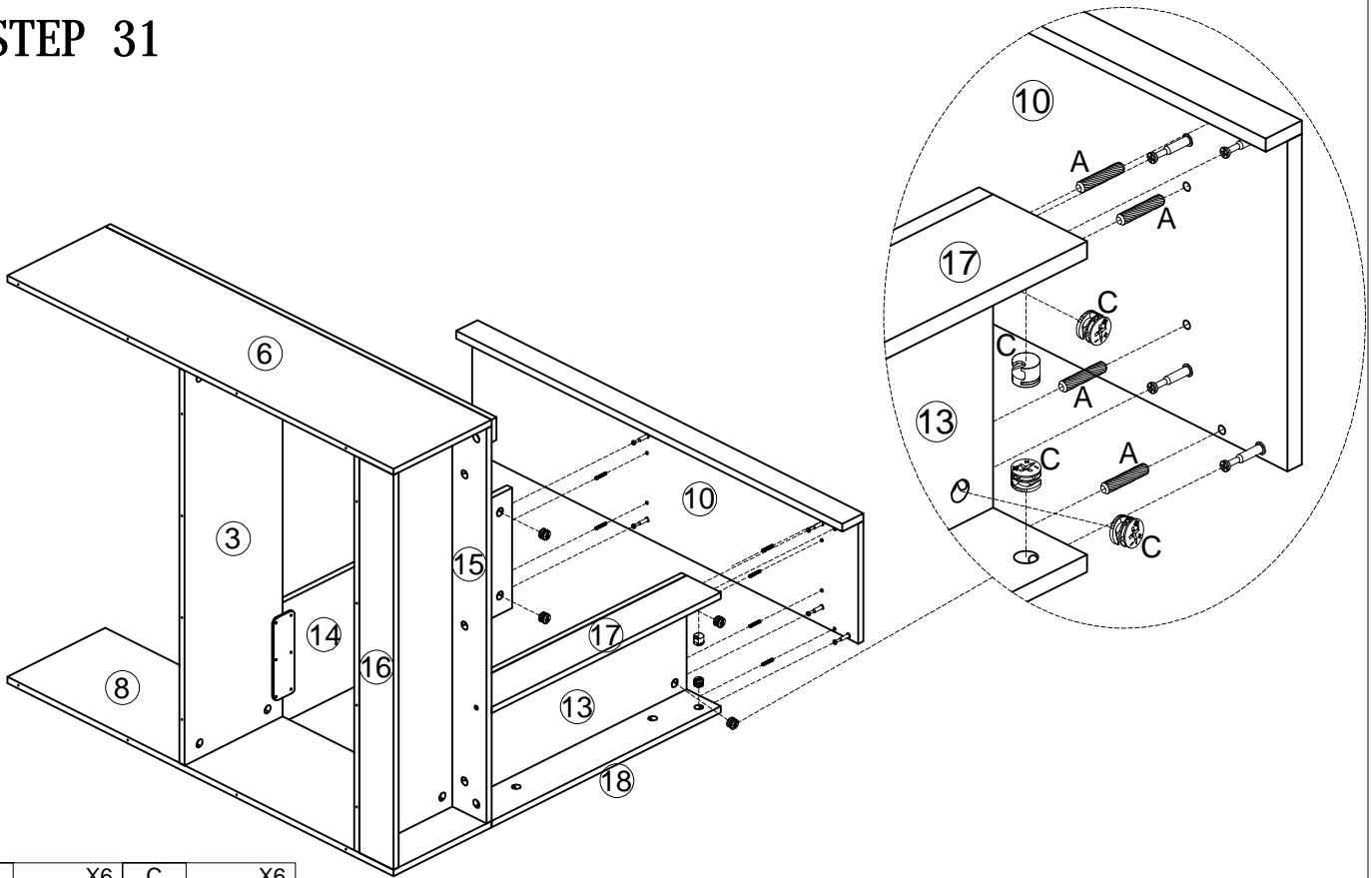
STEP 30





| | | | | | |
|---|----|---|----|---|----|
| A | X2 | B | X6 | C | X4 |
|  | |  | |  | |

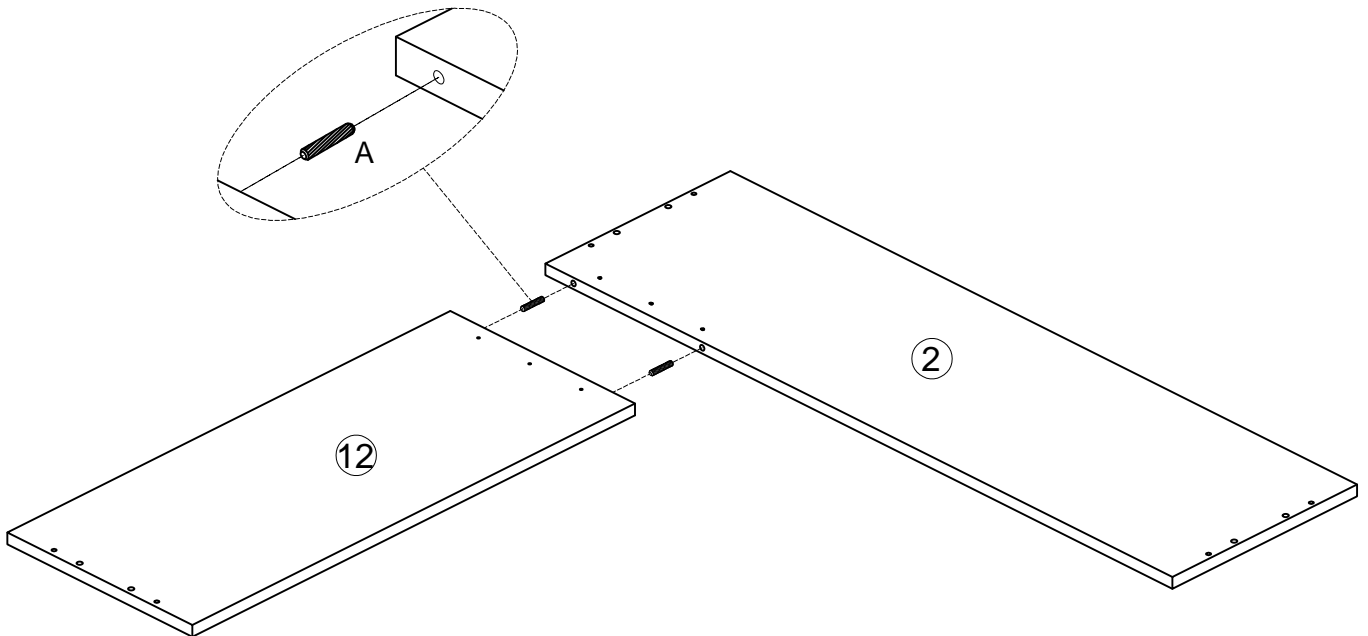
INSTALLATION


STEP 31



| | | | |
|---|----|---|----|
| A | X6 | C | X6 |
|  | |  | |

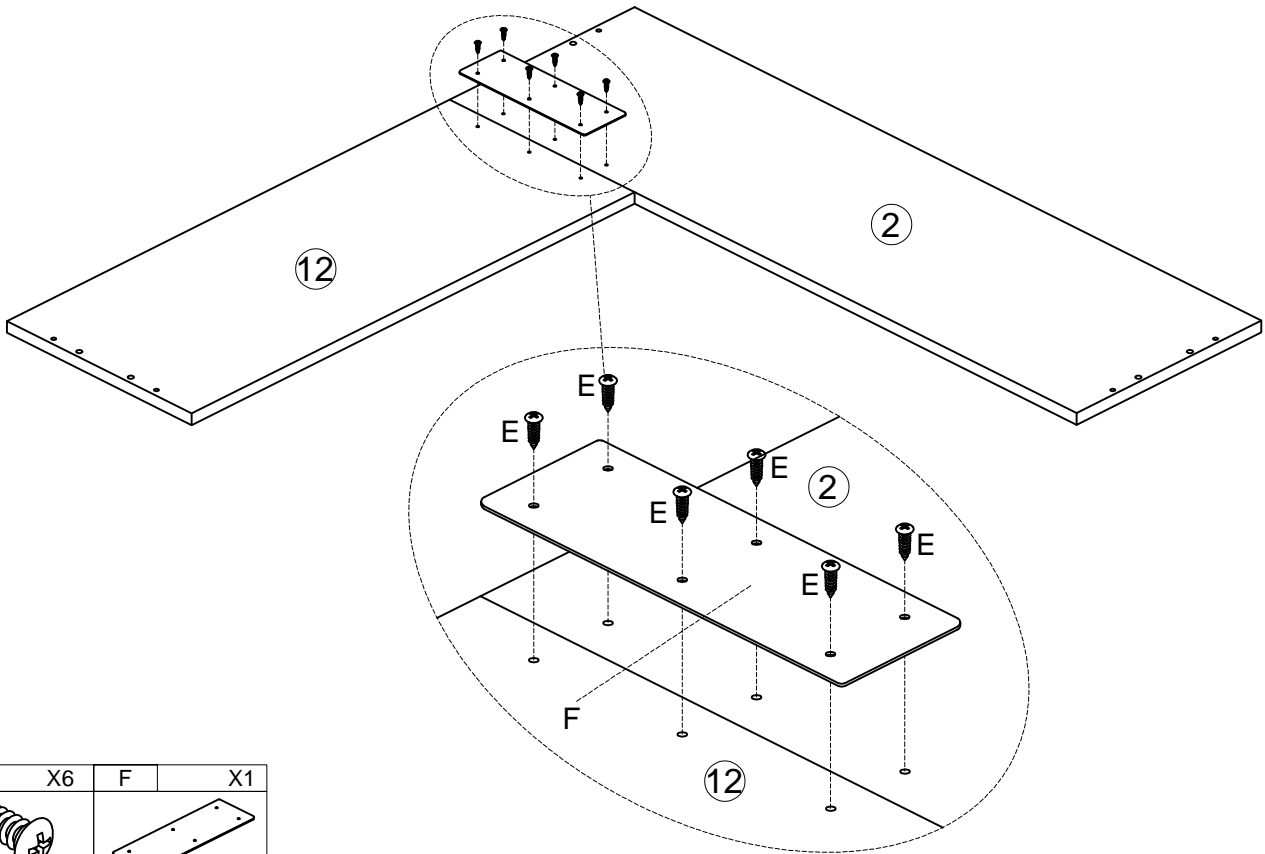
STEP 32





| | |
|---|----|
| A | X2 |
|  | |

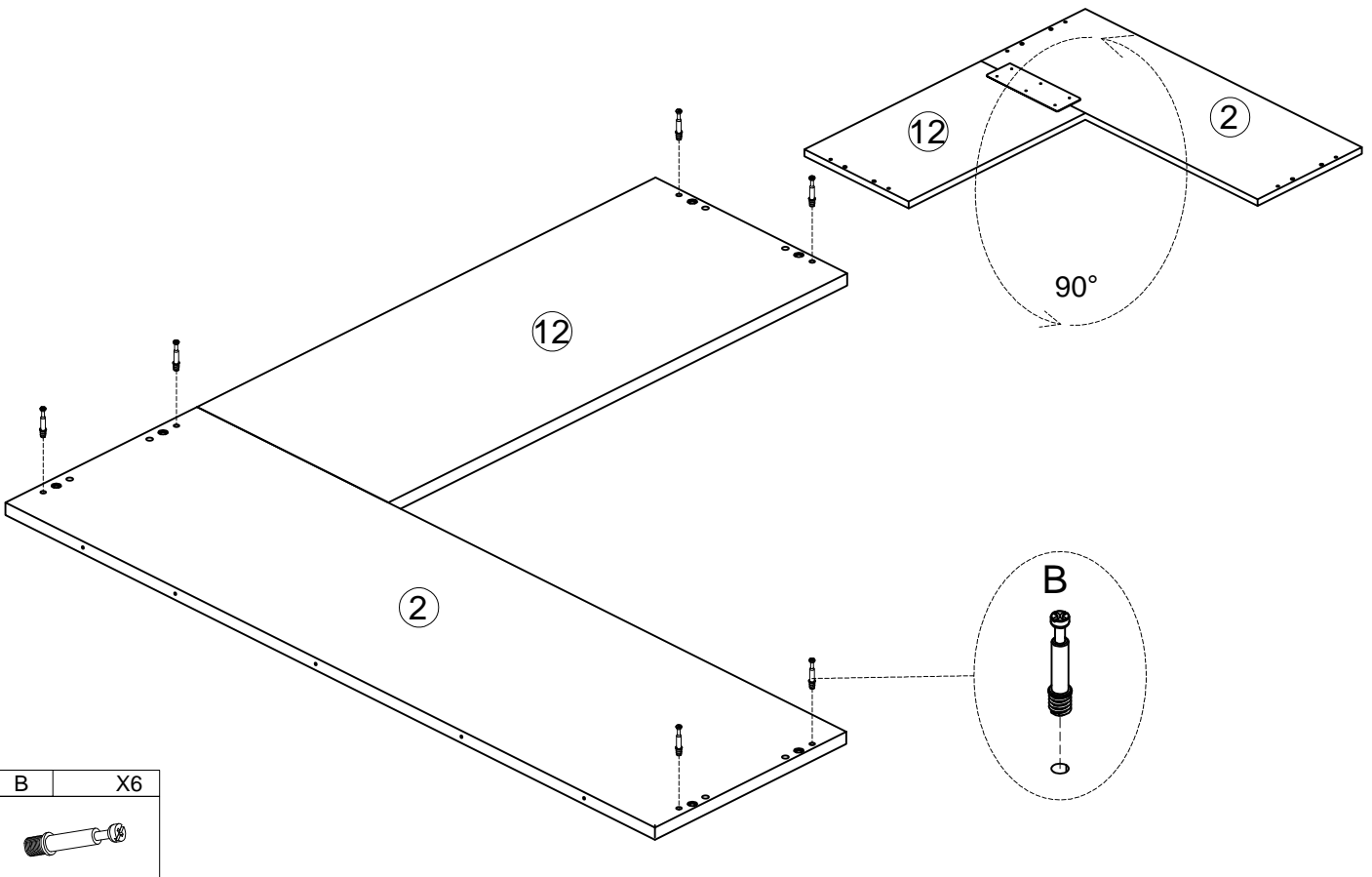
INSTALLATION


STEP 33



| | | | |
|---|----|---|----|
| E | X6 | F | X1 |
|  | |  | |

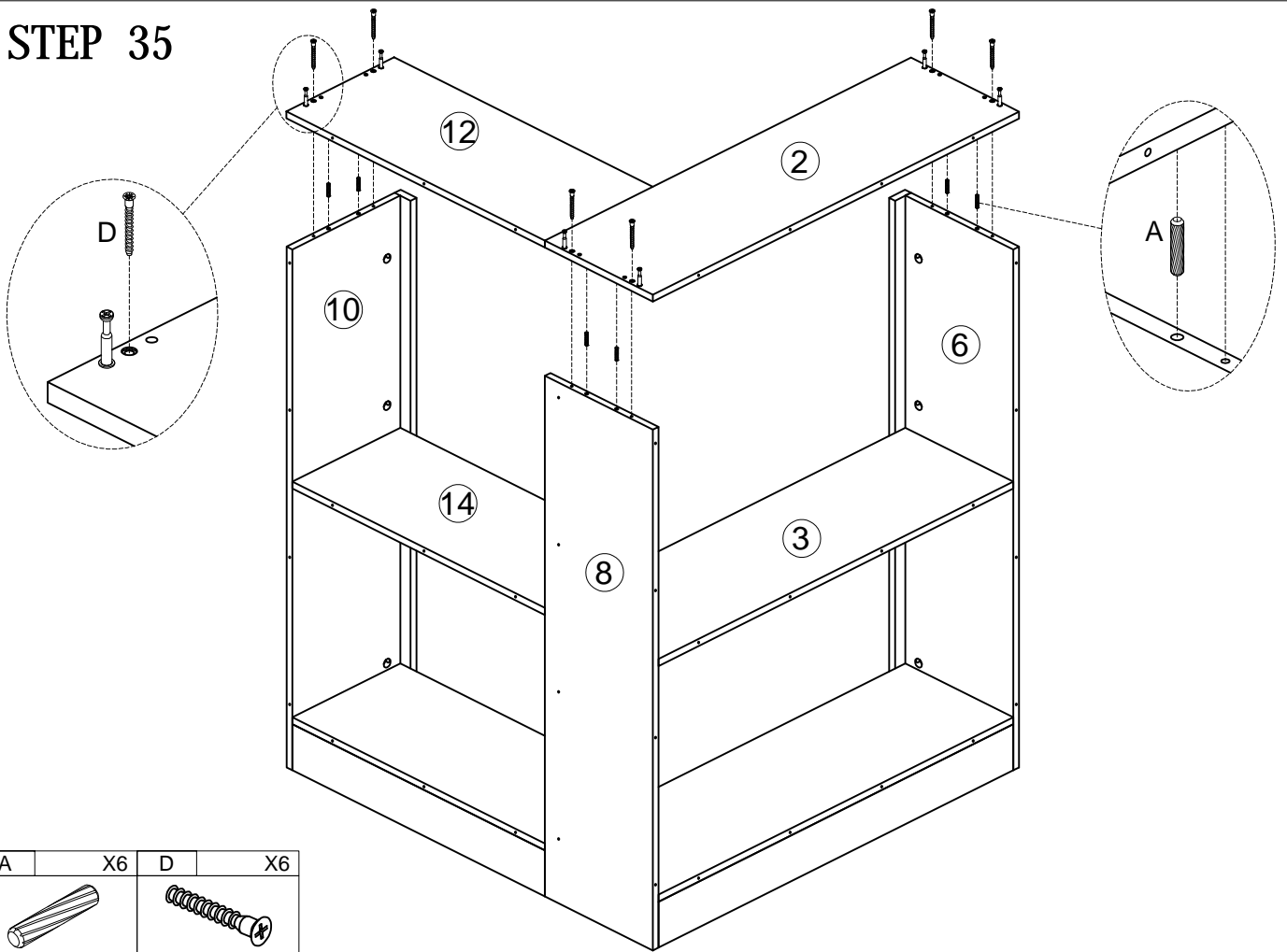
STEP 34



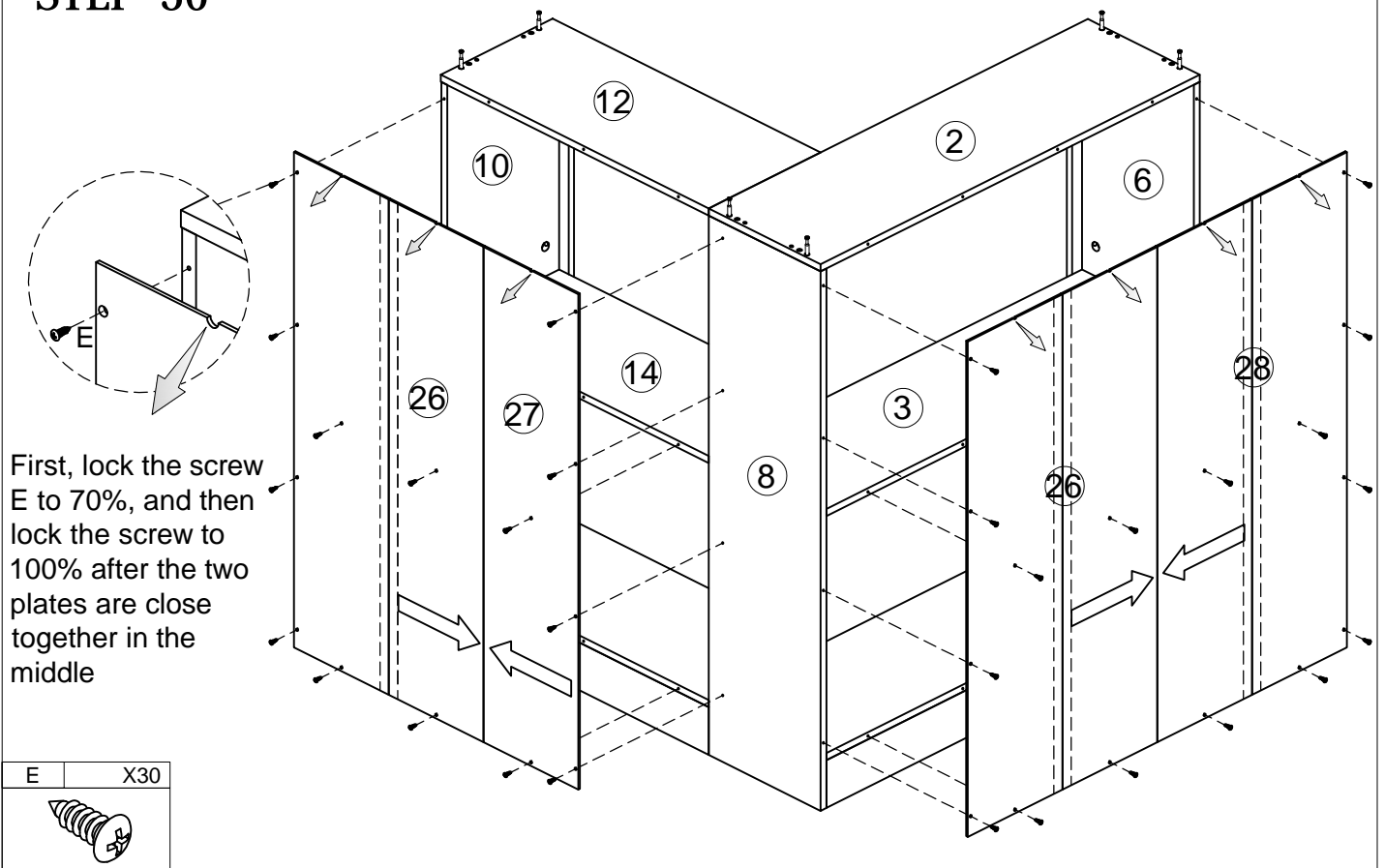
| | |
|---|----|
| B | X6 |
|  | |

INSTALLATION

STEP 35



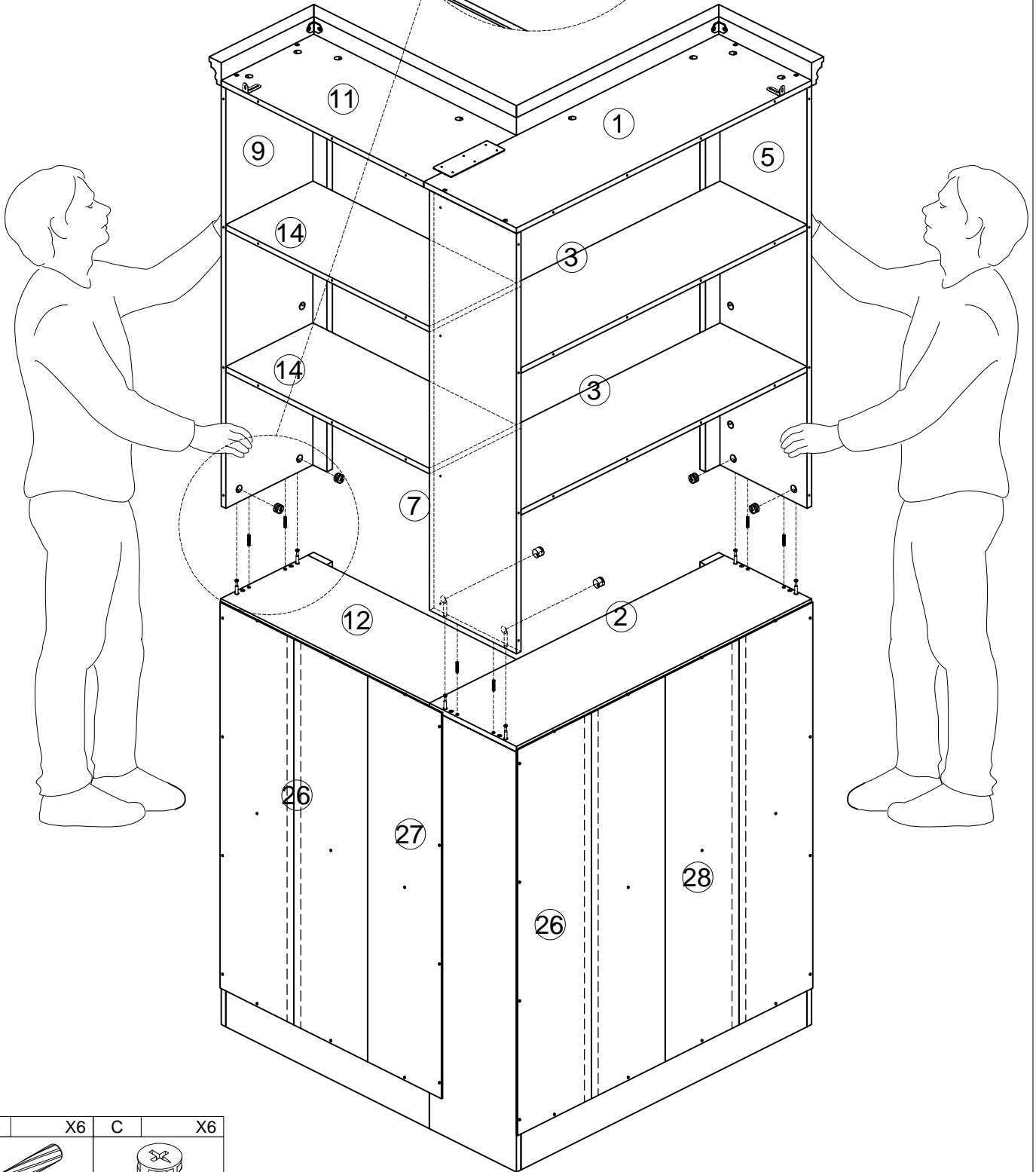
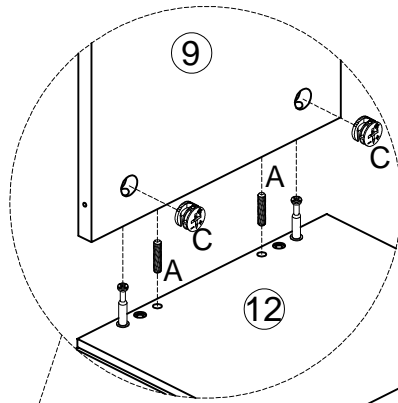
STEP 36

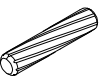
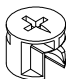


INSTALLATION

STEP 37

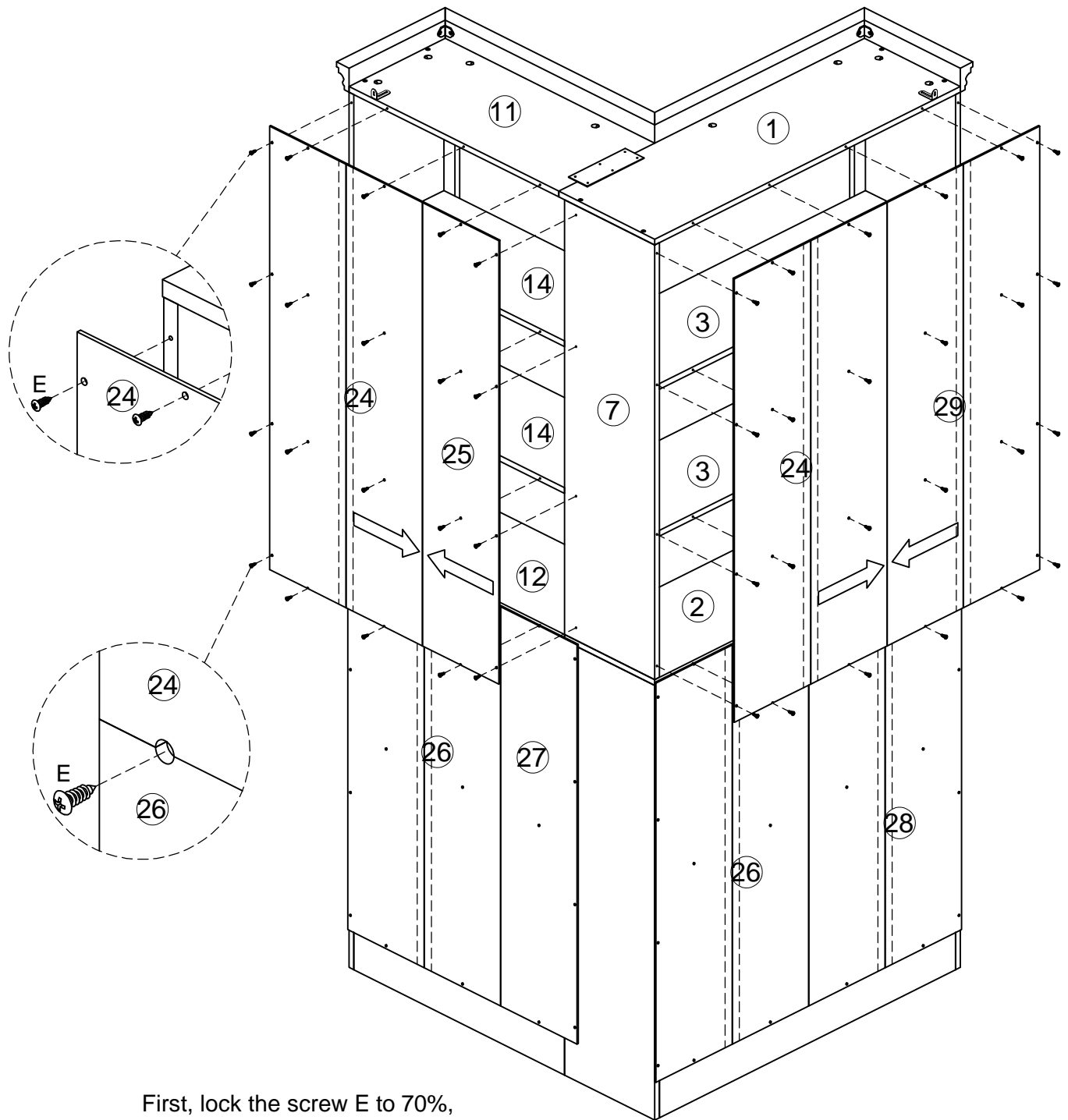
This installation step requires a minimum of two people



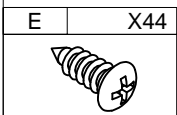
| | | | |
|---|----|---|----|
| A | X6 | C | X6 |
|  | |  | |

INSTALLATION

STEP 38

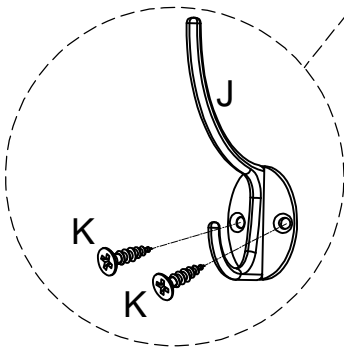
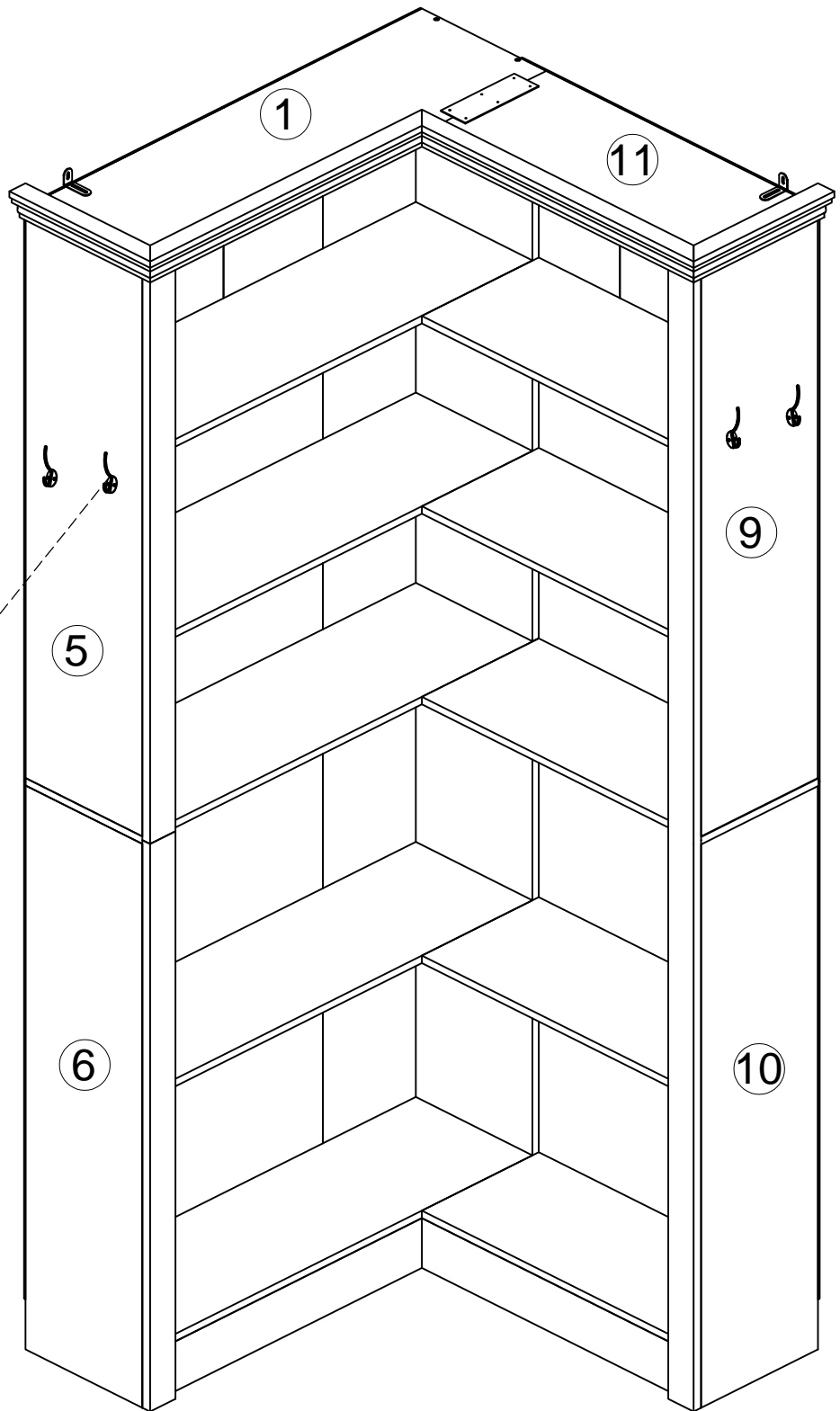


First, lock the screw E to 70%,
and then lock the screw to 100%
after the two plates are close
together in the middle





INSTALLATION

STEP 39

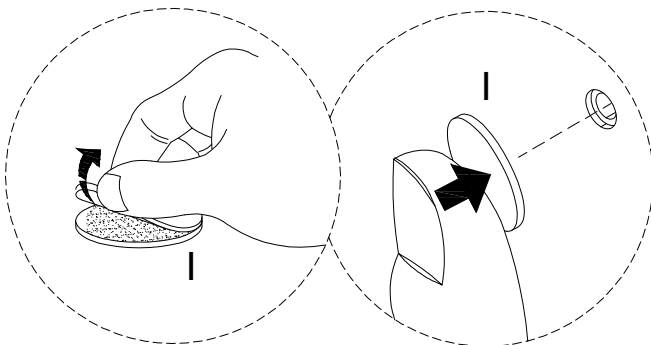
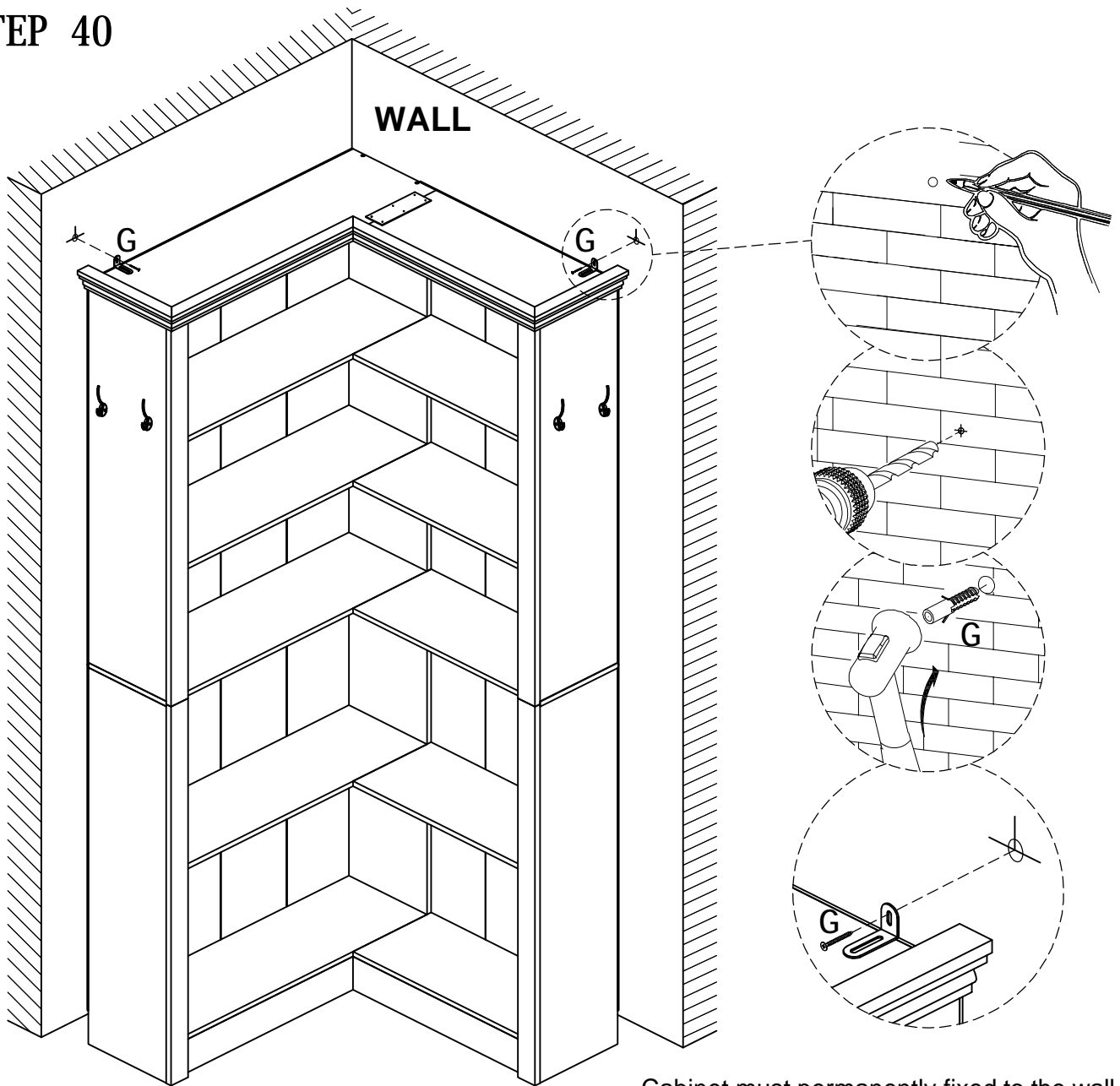


Hook Select the installation position based on site conditions, or do not install the hook

| | | | |
|---|----|---|----|
| J | X4 | K | X8 |
|  | |  | |

INSTALLATION

STEP 40



Cover the visible hole with a cap

Cabinet must permanently fixed to the wall with included anti-tipping device to prevent the cabinet from tipping over.

.Mark the drill position on the wall with a pencil.

.Drill holes on the marked position using a bit.

Gently insert the wall anchor (G) into the drilled hole with the help of a hammer.

.Fixed the cabinet to the wall with provided screws (G).

| | | | |
|---|----|---|-----|
| G | X2 | I | X36 |
| | | | |