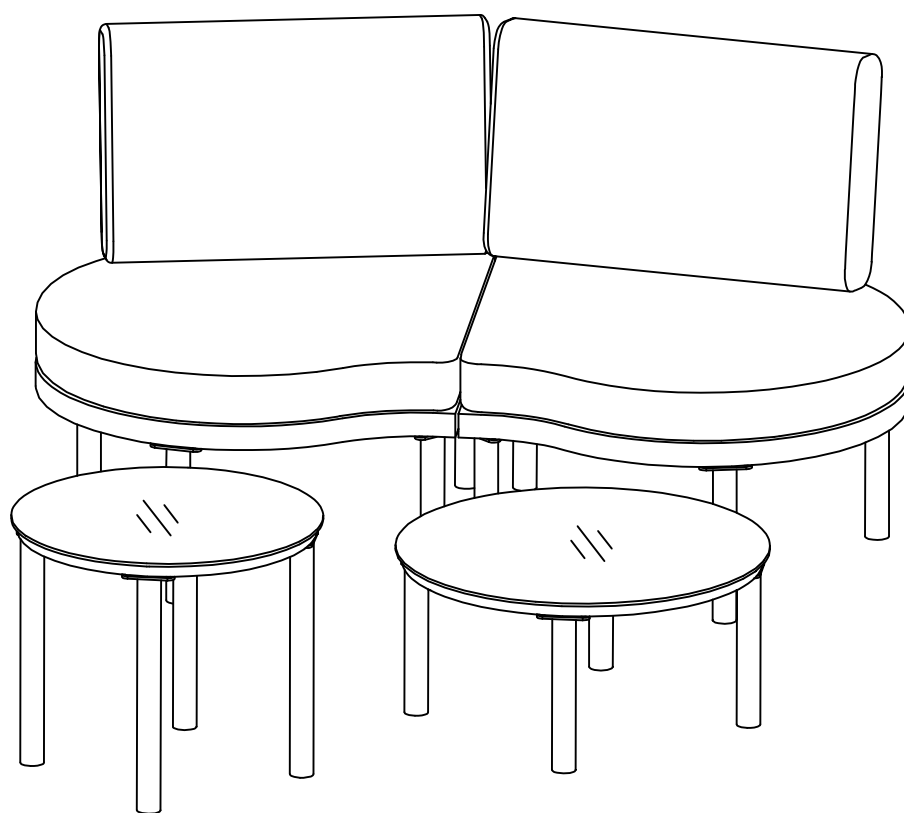
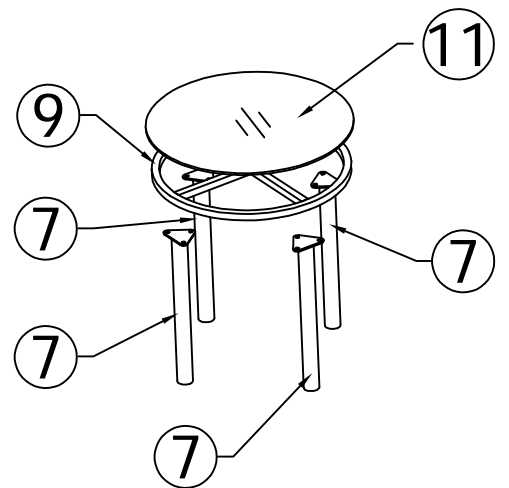
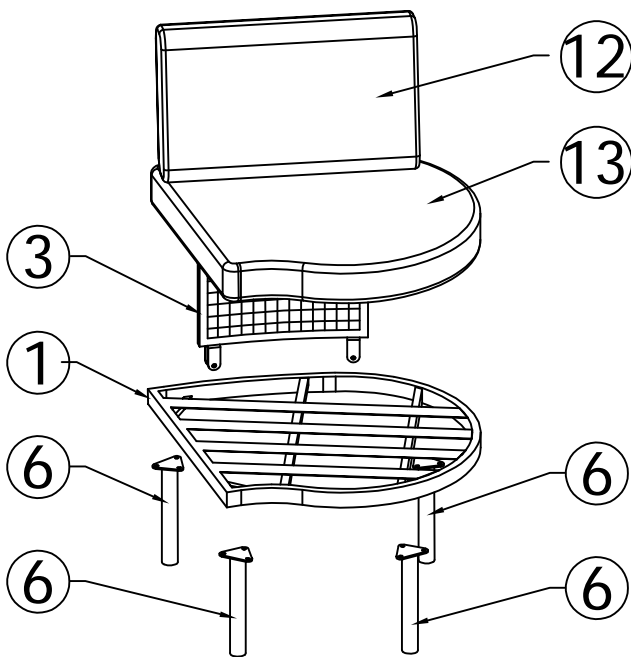
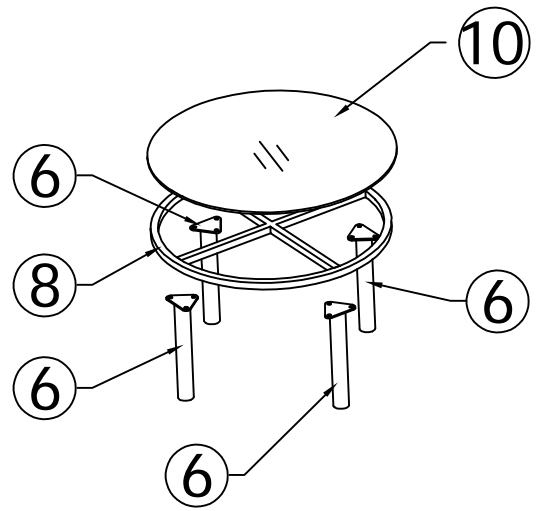
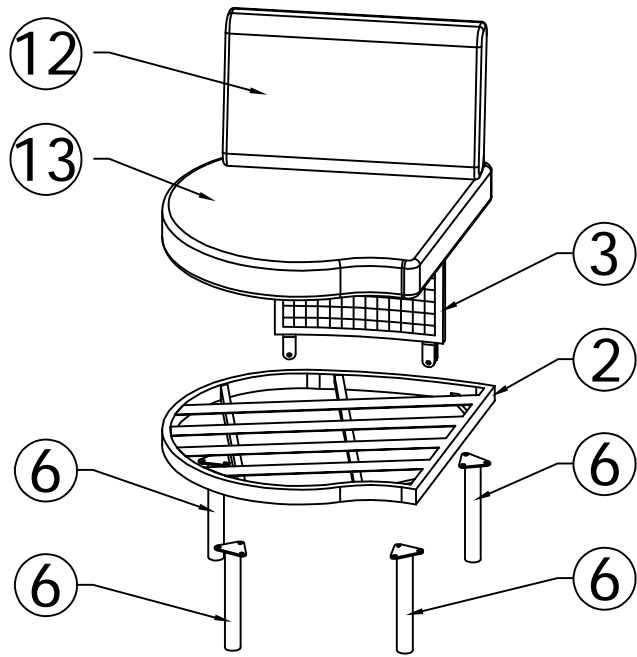
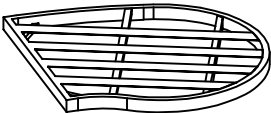
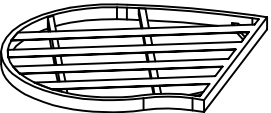
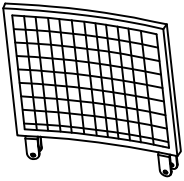

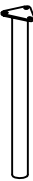
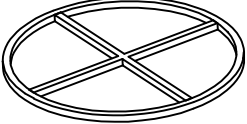
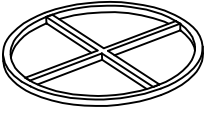
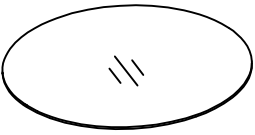

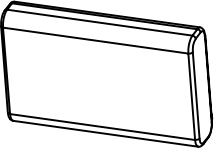
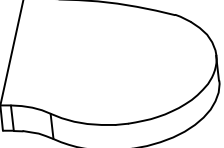



ASSEMBLY INSTRUCTIONS

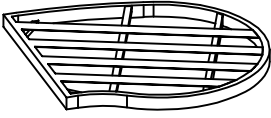
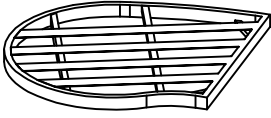
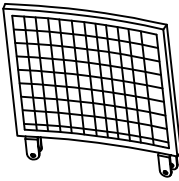
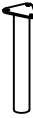
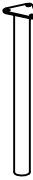
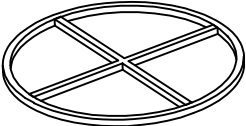
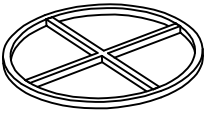
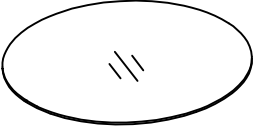

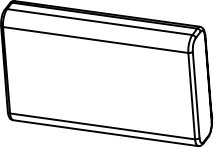
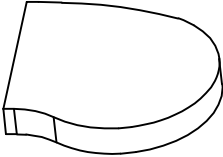









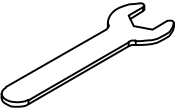

CARTON CONTENT:

①x1 	②x1 	③x2 	⑥x12 
⑦x4 	⑧x1 	⑨ x1 	⑩ x1 
⑪ x1 	⑫ x2 	⑬ x2 	Hardware 

PartList:

①x1 	②x1 	③x2 	⑥x12 
⑦x4 	⑧x1 	⑨ x1 	⑩ x1 
⑪ x1 	⑫ x2 	⑬ x2 	

Hardware List:

Ⓐx48  M6x20	Ⓑx4  M6x40	Ⓒx56  M6	Ⓓx4  M6	Ⓔx1  M6
Ⓕx1  M6	Ⓖx2 	Ai - - - - - - - -		

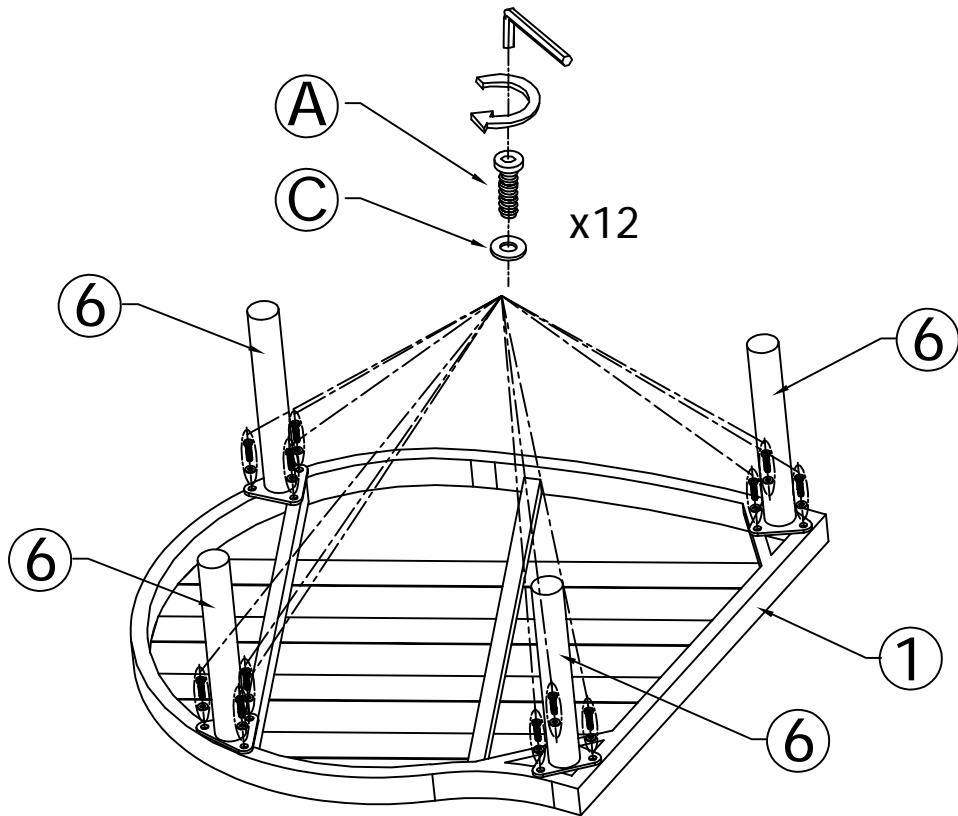
STEP 1

① x1

⑥ x4

Ⓐ x12

Ⓒ x12



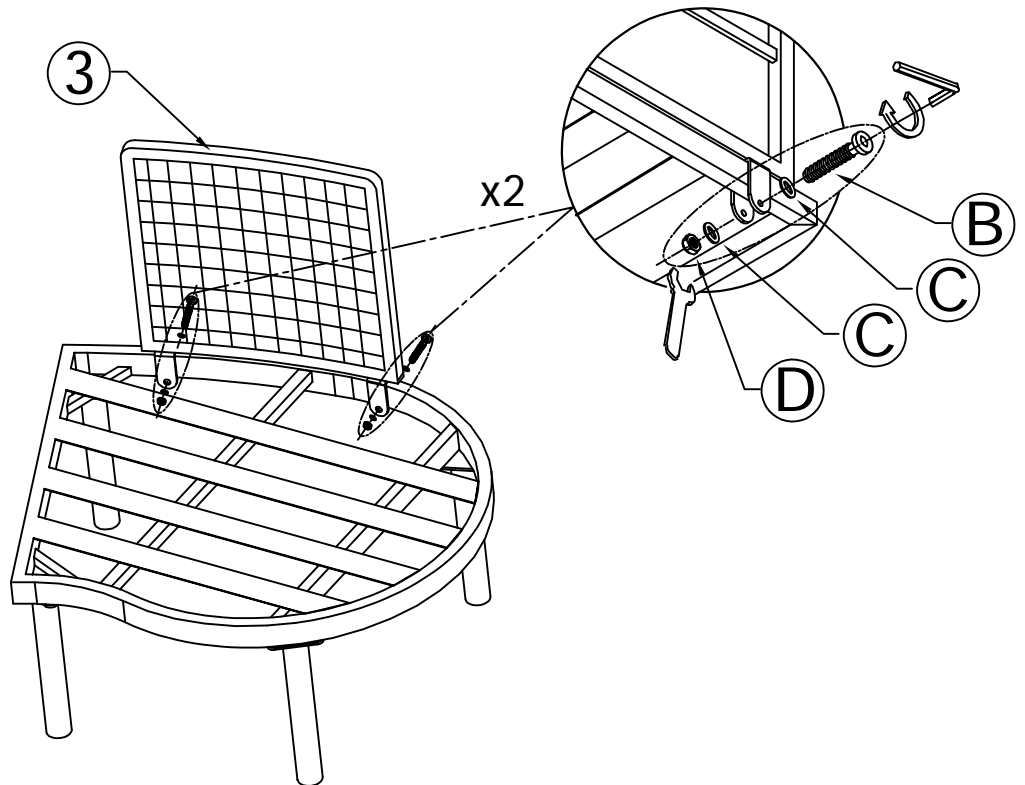
STEP 2

③ x1

Ⓑ x2

Ⓒ x4

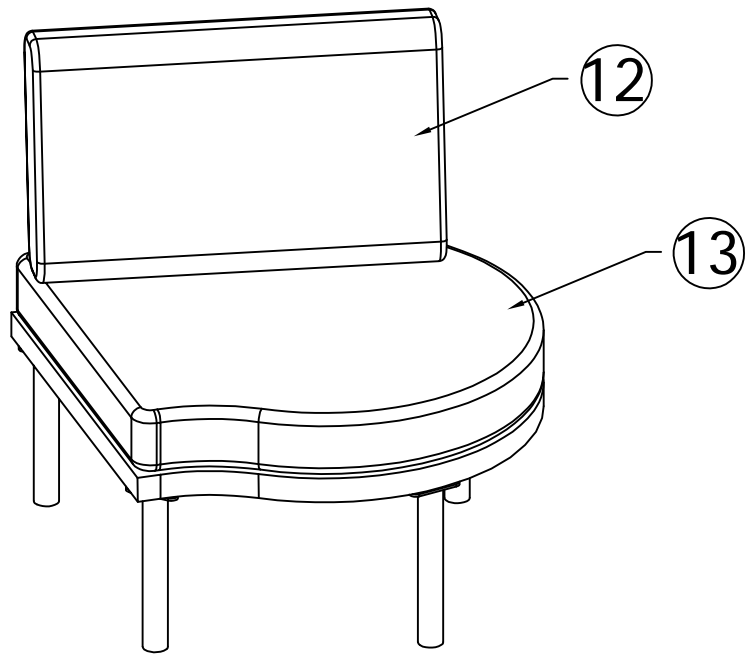
Ⓓ x2



STEP 3

⑫ x1

⑬ x1



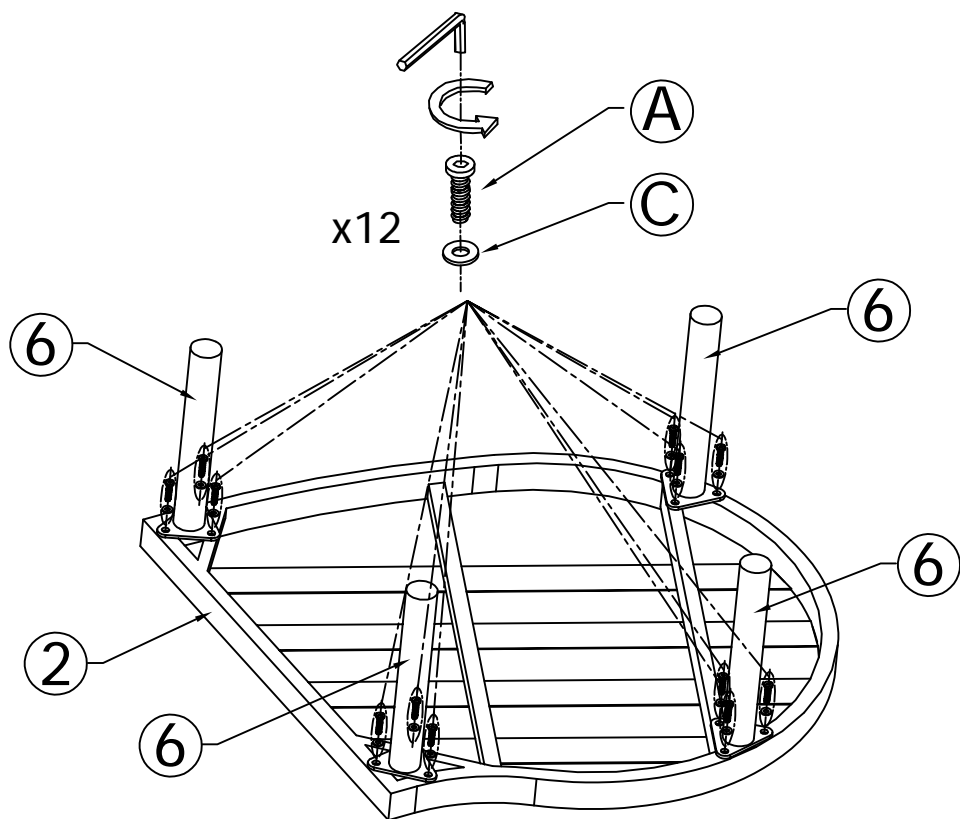
STEP 4

② x1

⑥ x4

Ⓐ x12

Ⓒ x12



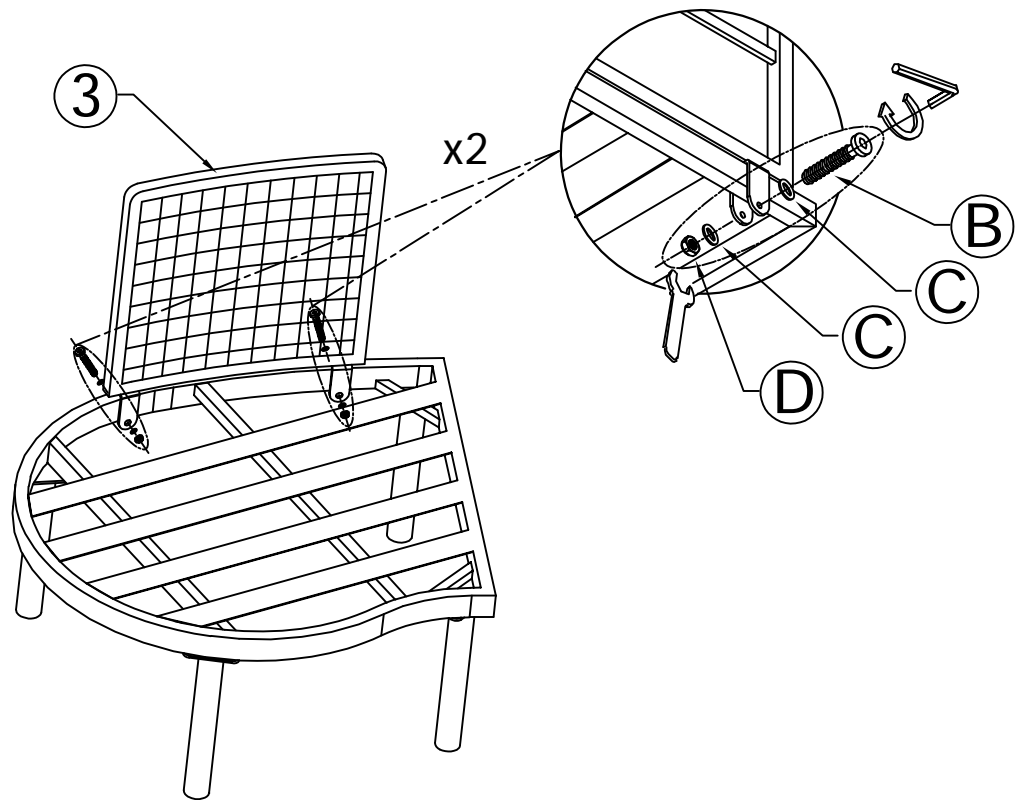
STEP 5

③ x1

Ⓑ x2

Ⓒ x4

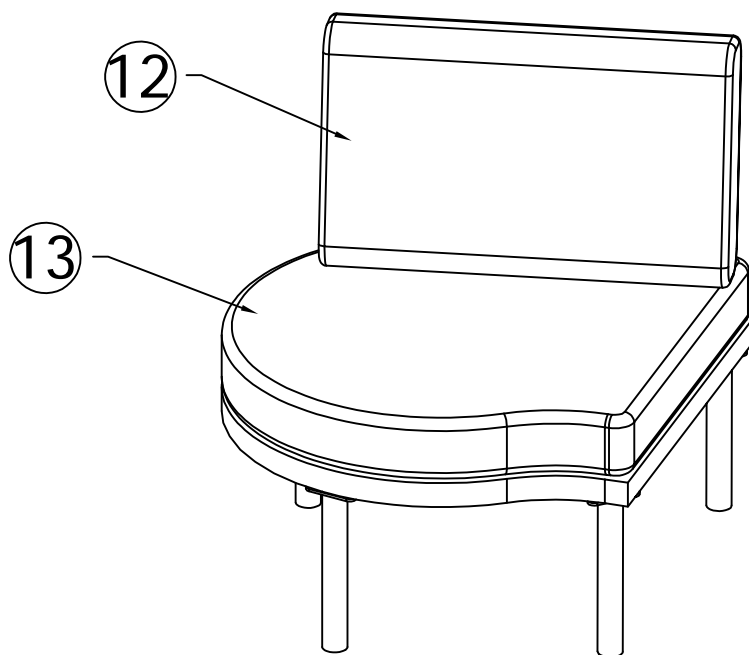
Ⓓ x2



STEP 6

⑫ x1

⑬ x1



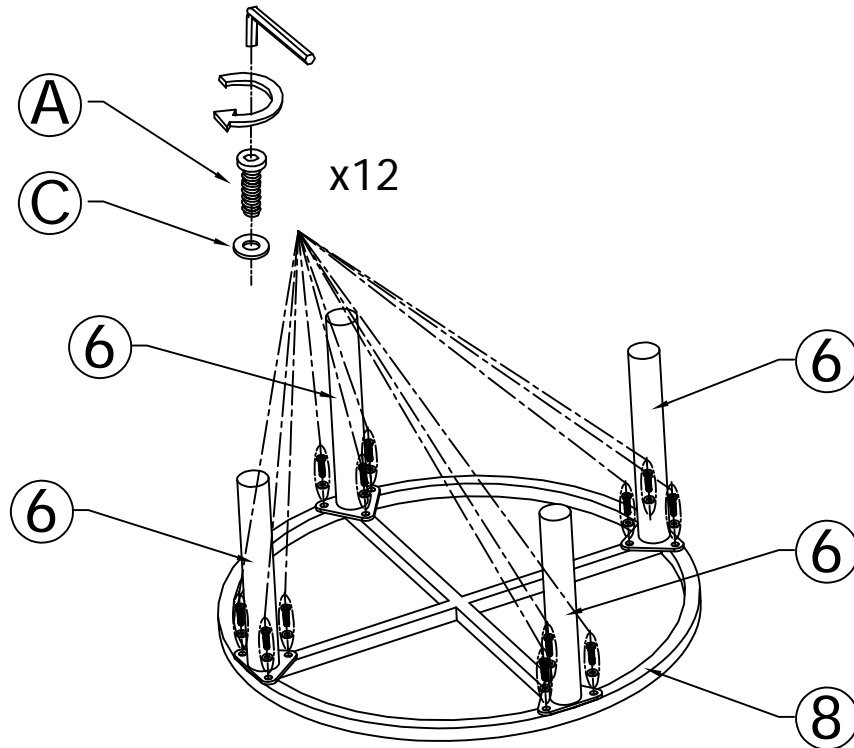
STEP 7

⑥ x4

⑧ x1

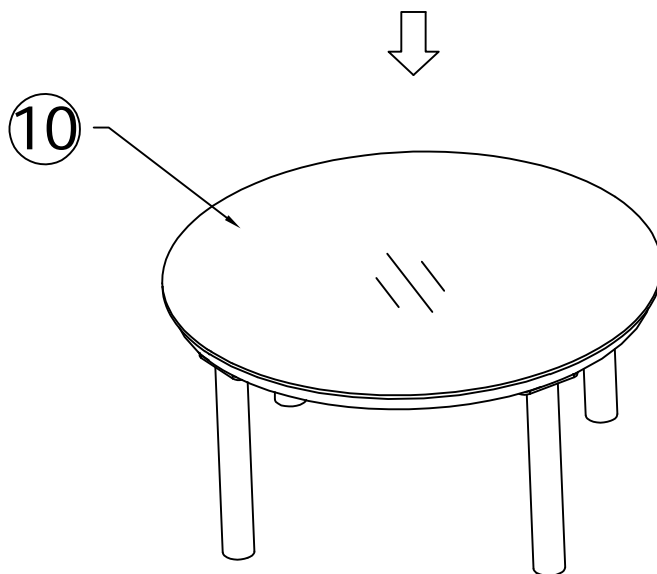
Ⓐ x12

Ⓒ x12



STEP 8

⑩ x1



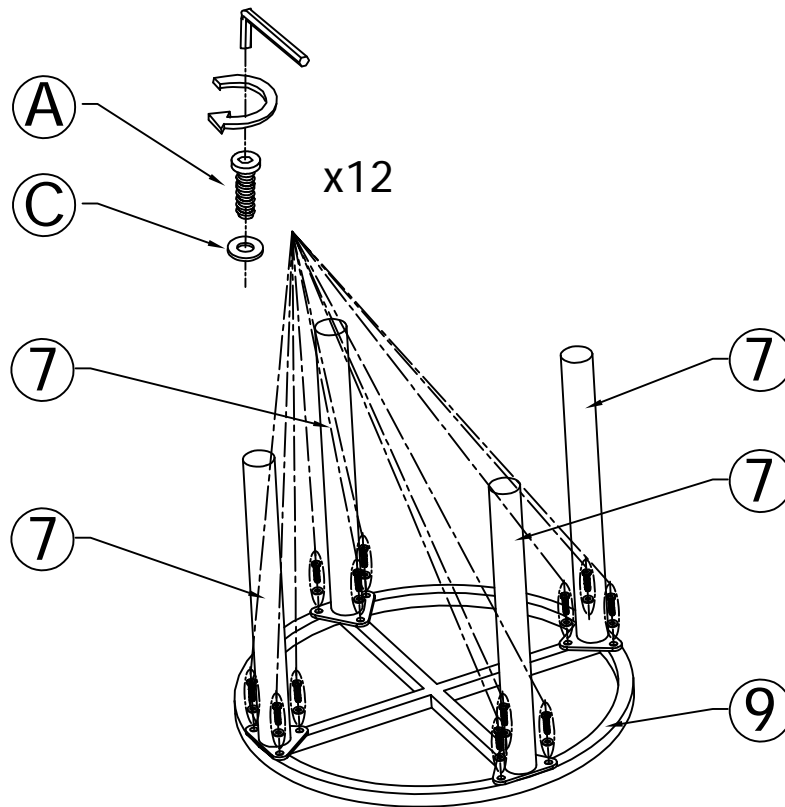
STEP 9

⑦ x4

⑨ x1

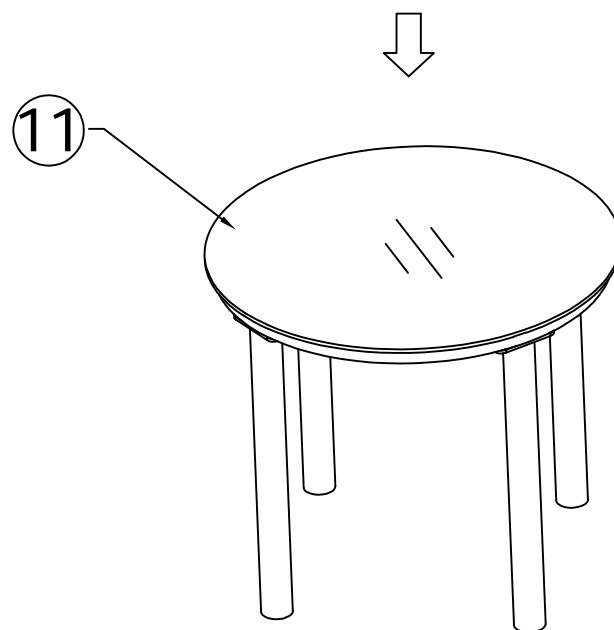
Ⓐ x12

Ⓒ x12



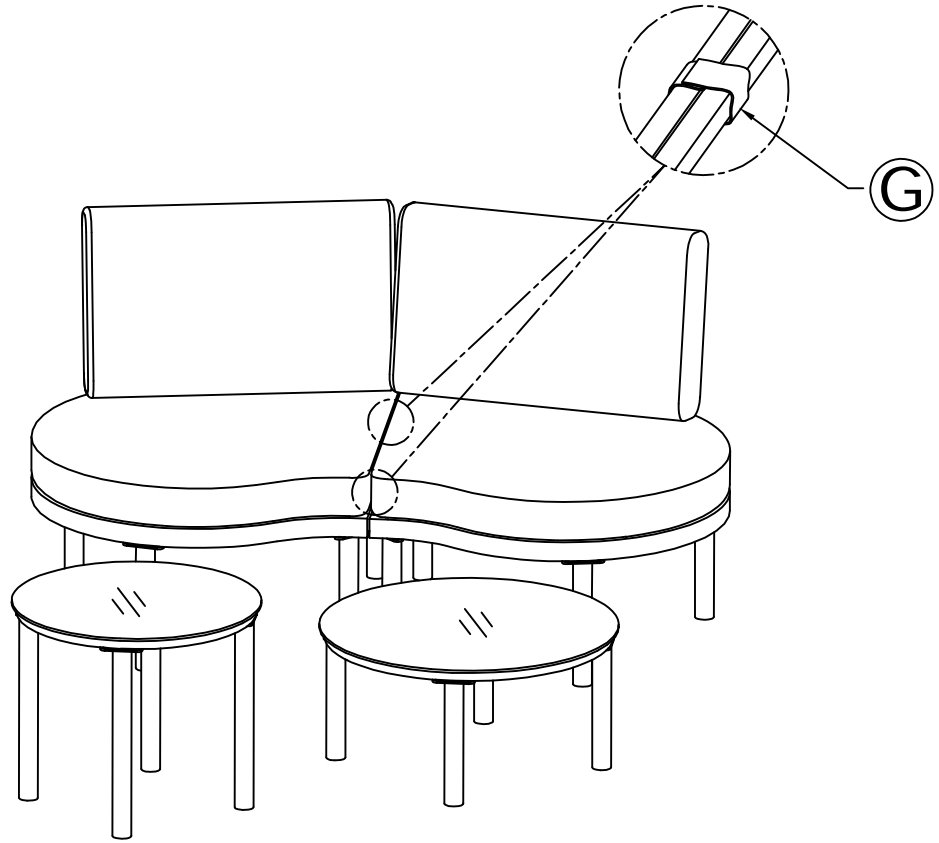
STEP 10

⑪ x1

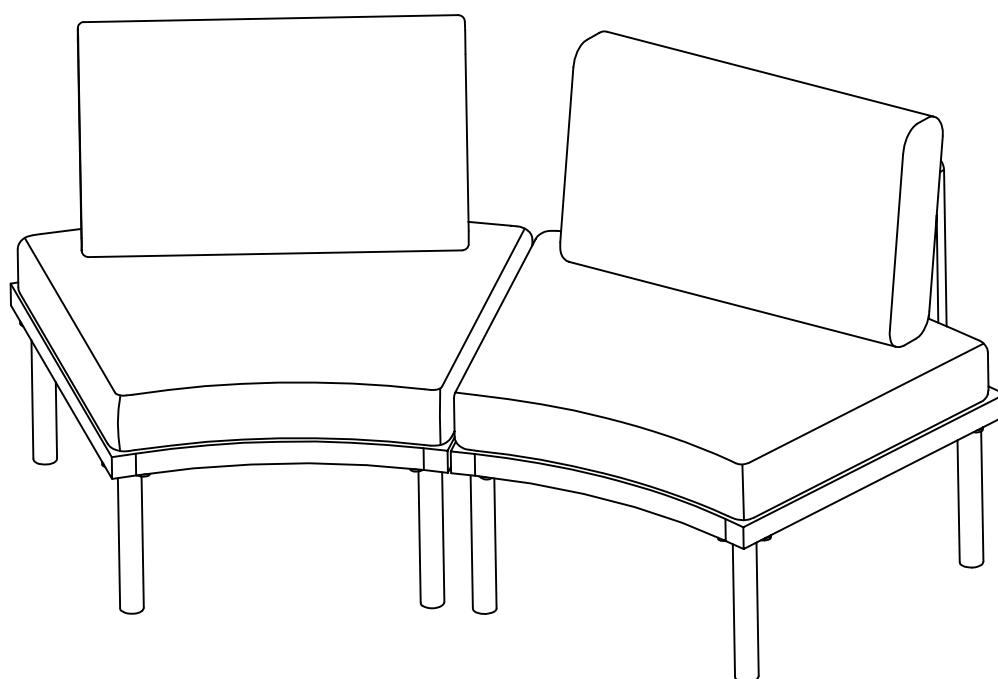


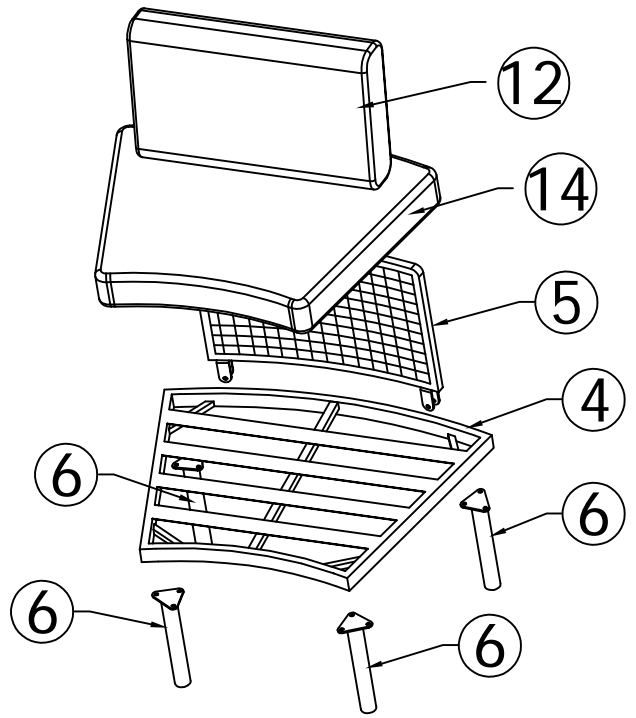
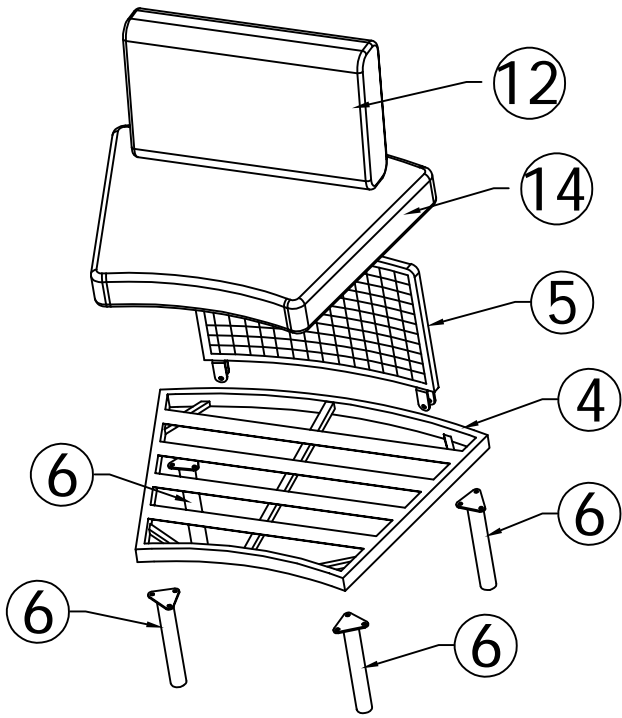
STEP 11

ⓐ x2 



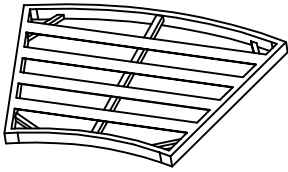
ASSEMBLY INSTRUCTIONS



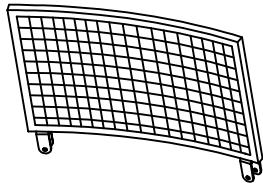


CARTON CONTENT:

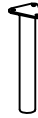
④x2



⑤x2



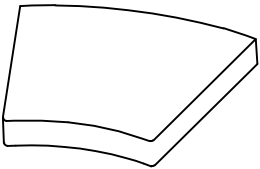
⑥x8



⑫x2



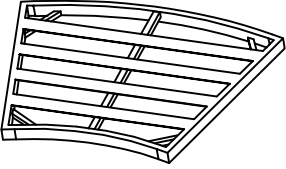
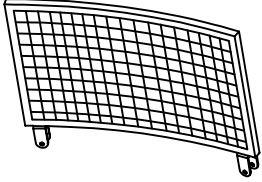


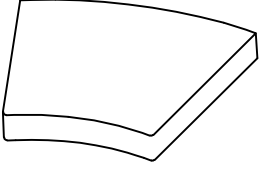
⑭x2








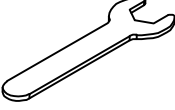

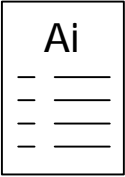
Hardware



PartList:

<p>④ x2</p> 	<p>⑤ x2</p> 	<p>⑥ x8</p> 	<p>⑫ x2</p> 
<p>⑭ x2</p> 			

Hardware List:

<p>Ⓐ x24</p>  <p>M6x20</p>	<p>Ⓑ x4</p>  <p>M6x40</p>	<p>Ⓒ x32</p>  <p>M6</p>	<p>Ⓓ x4</p>  <p>M6</p>	<p>Ⓔ x1</p>  <p>M6</p>
<p>Ⓕ x1</p>  <p>M6</p>	<p>Ⓖ x4</p> 	<p>Ai</p> 		

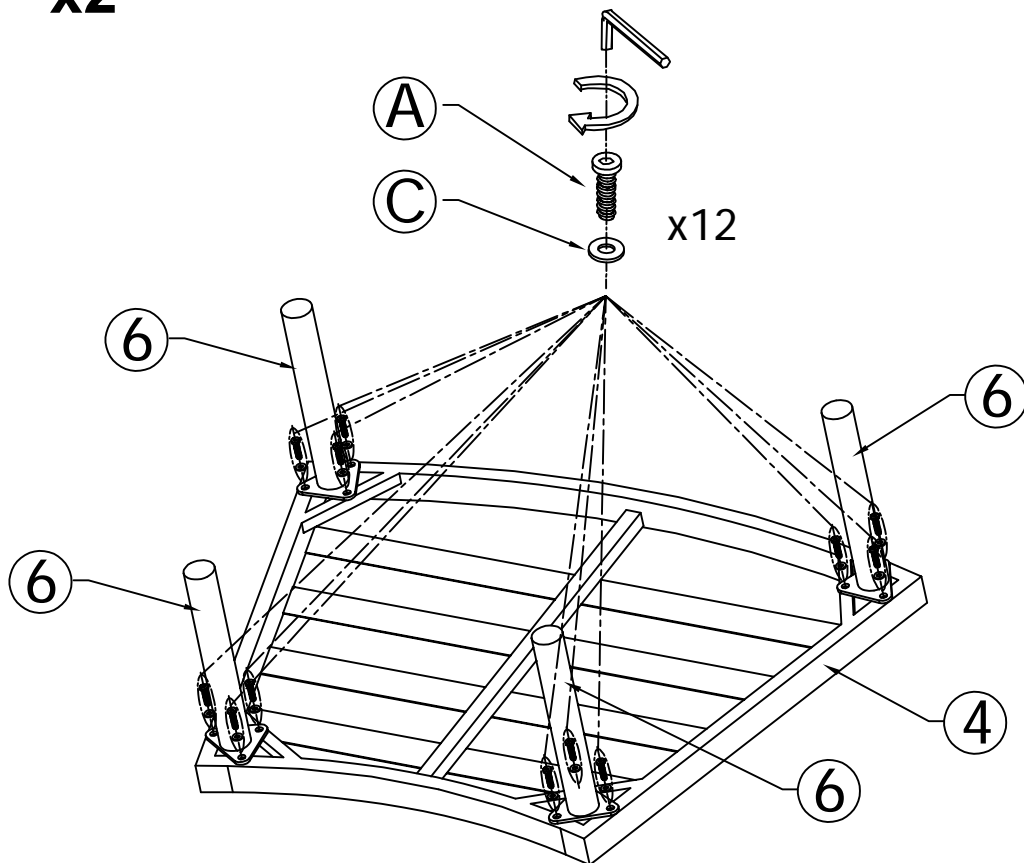
STEP 1 x2

④ x1

⑥ x4

Ⓐ x12

Ⓒ x12



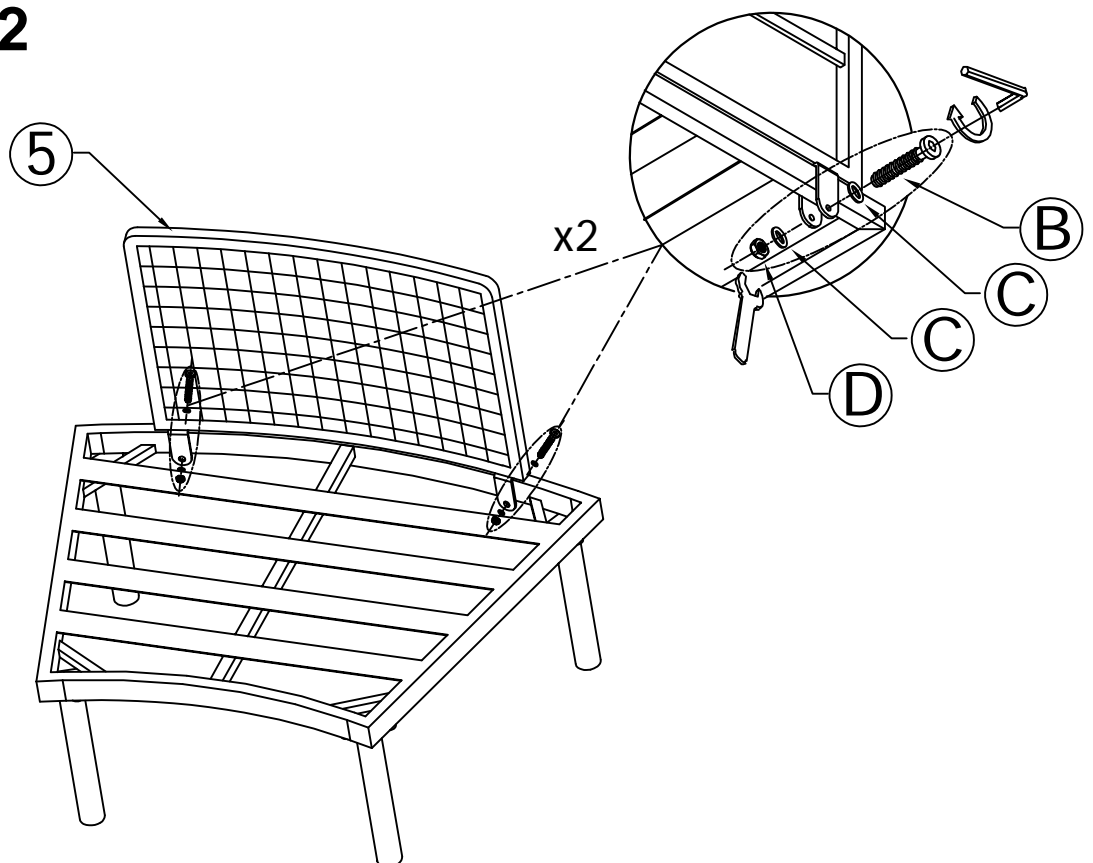
STEP 2 x2

⑤ x1

Ⓑ x2

Ⓒ x4

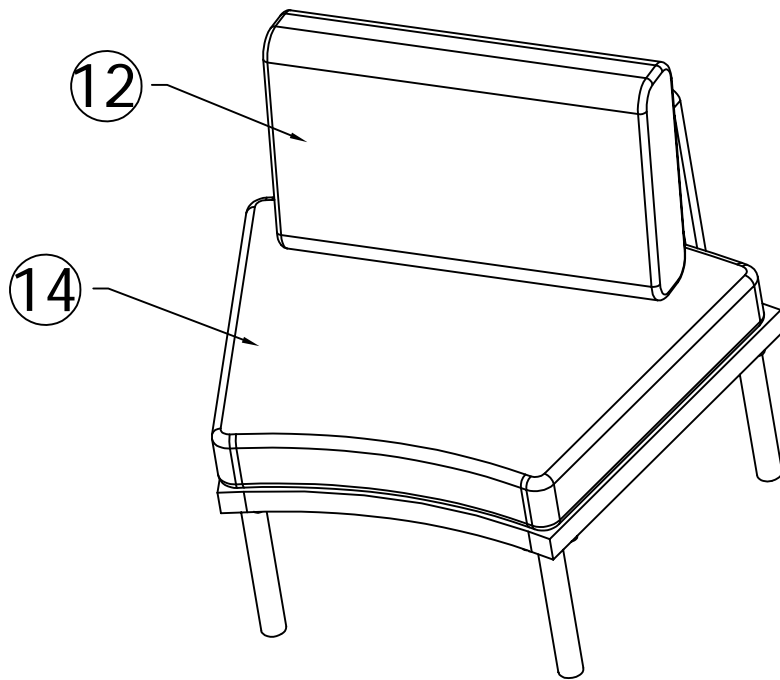
Ⓓ x2



STEP 3 x2

⑫ x1

⑭ x1



STEP 4

ⓐ x4 

