

ASSEMBLY INSTRUCTION



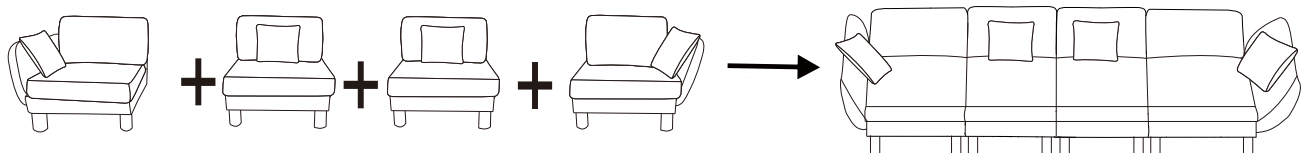
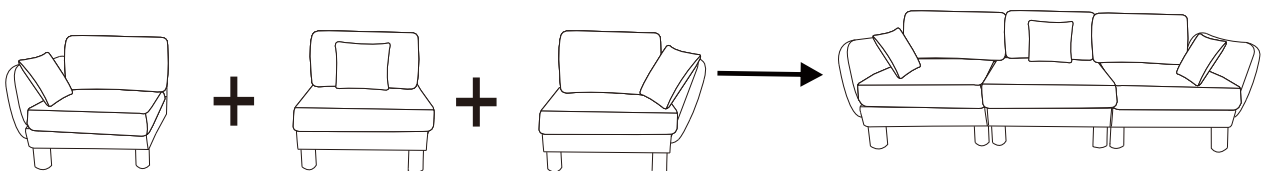
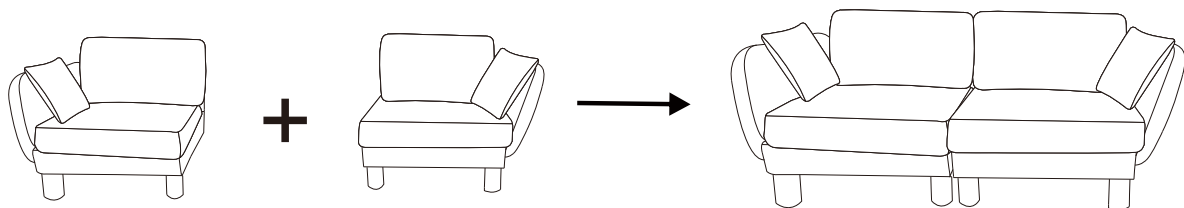
This instruction booklet contains important safety information.
please read and keep for future reference.

This sofa collection works as modular sofa function, started as 2-seater sofa with left and right section, you can buy more components such as armless middle seat and ottoman to make it as 3-seater sofa, 4-seater sofa, L shape sectional, U shape sectional components to ensure all sofa section are well fit your living room area.

To ensure safe and satisfactory use of this product, please carefully read the below instructions before hand.

1. This sofa ships in several boxes, we recommend unpacking and starting assembly when several boxes are received.
2. Our cushions are vacuum packed for convenient shipping. Please allow 2-3 days for them to fully expand to their original shape and for any wrinkles to disappear.
3. In the event that a part is damaged or missing, no need to return the product, we will gladly help and ship your replacement parts free of charge.

Below are some guidelines for you how you can do mix and match.

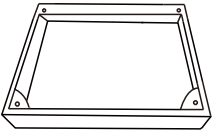
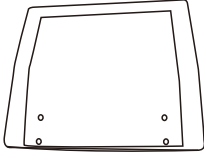
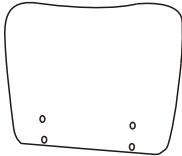


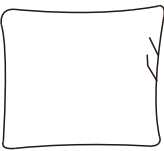

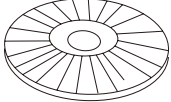
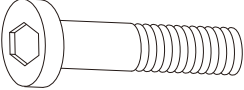
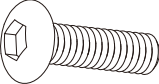
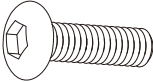
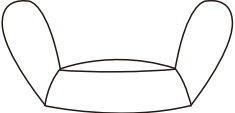

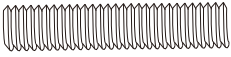




Assembly Instructions

IF YOU BUY 2 SEATER SOFA
please follow below assembly instruction

Parts List

(BOX 1)

A1  Left seat frame*1	B  Backrest*1	C  Armrest*1	D1  Left seat cushion*1
E  Back cushion*1	F  Pillow*1	G  Leg*4	H  Gasket*4
J  Bolt*2 M8*80mm	K  Bolt*4 M8*60mm	L  Bolt*2 M8*50mm	M  Butterfly nut*4
N  Washer*12	O  Bolt*4 M8*90mm	P  Allen key*1	Q  Allen key*1

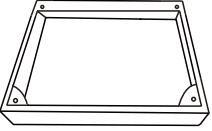
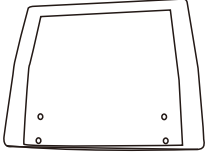
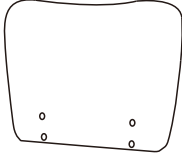


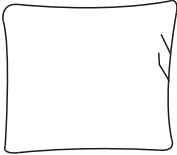

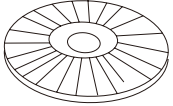
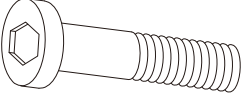
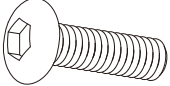
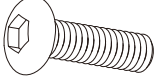


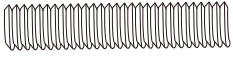


Note: Please retain all boxes until you are certain that your product isn't damaged and that you do not wish to return it. Disposal of boxes may prevent our ability to resolve your request.

Assembly Instructions

IF YOU BUY 2 SEATER SOFA
please follow below assembly instruction

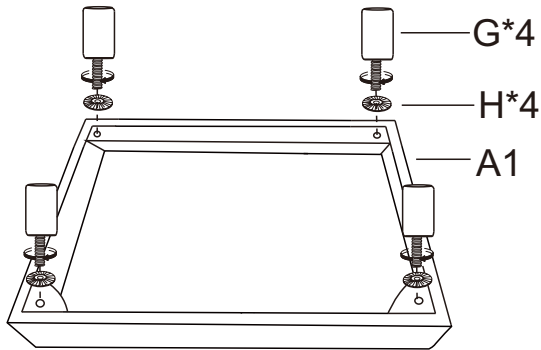
Parts List

(BOX 2)

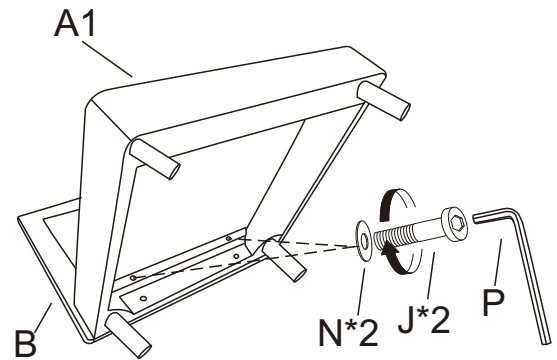
A2  Right seat frame*1	B  Backrest*1	C  Armrest*1	D2  Right seat cushion*1
E  Back cushion*1	F  Pillow*1	G  Leg*4	H  Gasket*4
J  Bolt*2 M8*80mm	K  Bolt*4 M8*60mm	L  Bolt*2 M8*50mm	M  Butterfly nut*4
N  Washer*12	O  Bolt*4 M8*90mm	P  Allen key*1	Q  Allen key*1

Note: Please retain all boxes until you are certain that your product isn't damaged and that you do not wish to return it. Disposal of boxes may prevent our ability to resolve your request.

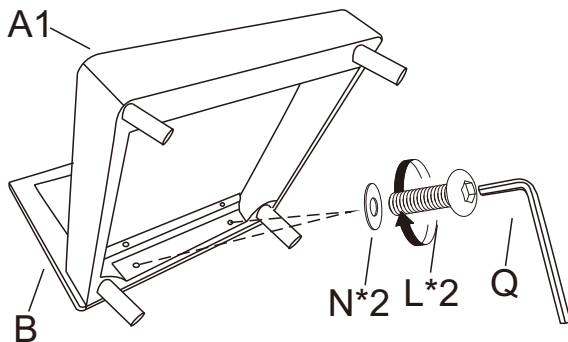
- ① Assemble the Leg(G) to the Left seat frame(A1) with Gasket(H).



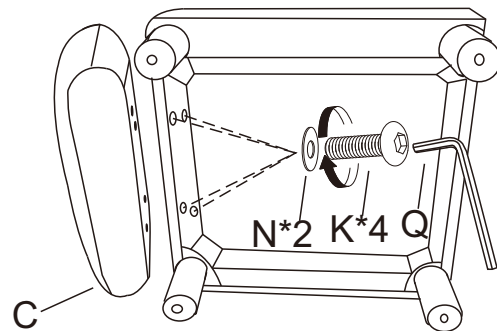
- ② Assemble the Backrest(B) to the Left seat frame(A1) with Bolt(J) and Washer(N).



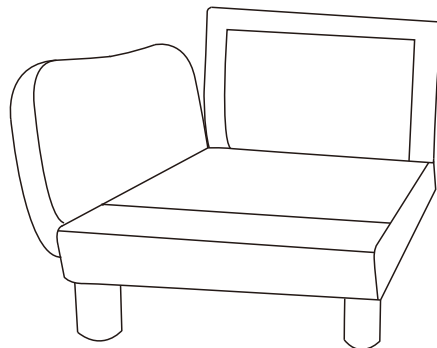
- ③ Assemble the Backrest (B) to the Left seat frame(A1) with Bolt(L) and Washer(N).



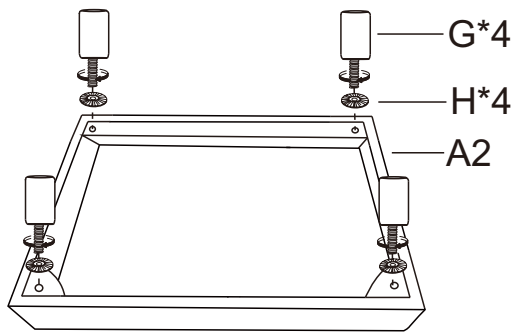
- ④ Assemble the Armrest(C) to the seat frame with Bolt(K) and Washer(N).



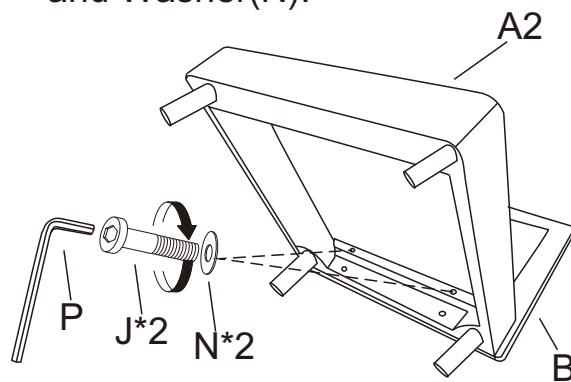
- ⑤ The Left side sofa is now installed.



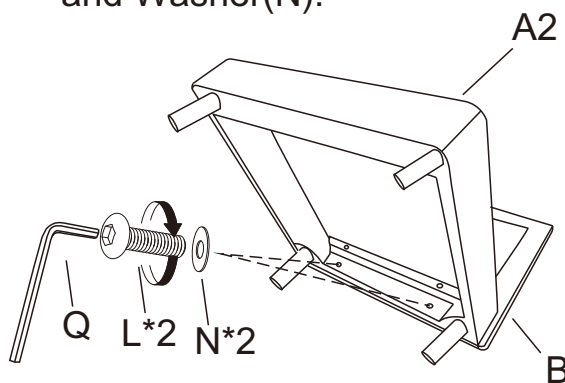
- ⑥ Assemble the Leg(G) to the Right seat frame(A2) with Gasket(H).



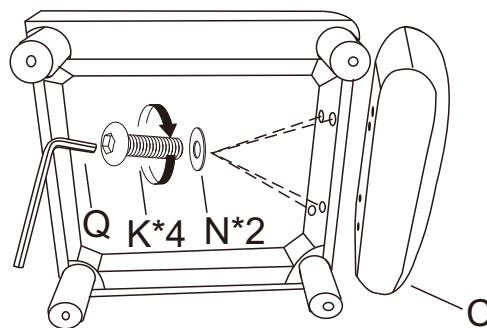
- ⑦ Assemble the Backrest (B) to the Right seat frame(A2) with Bolt(J) and Washer(N).



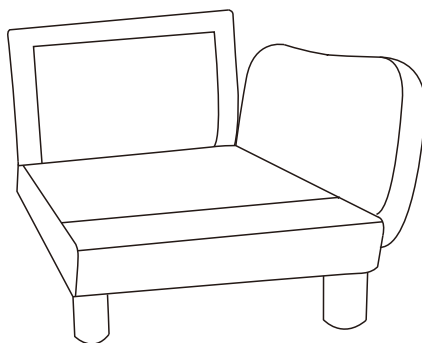
- ⑧ Assemble the Backrest (B) to the Left seat frame(A2) with Bolt(L) and Washer(N).



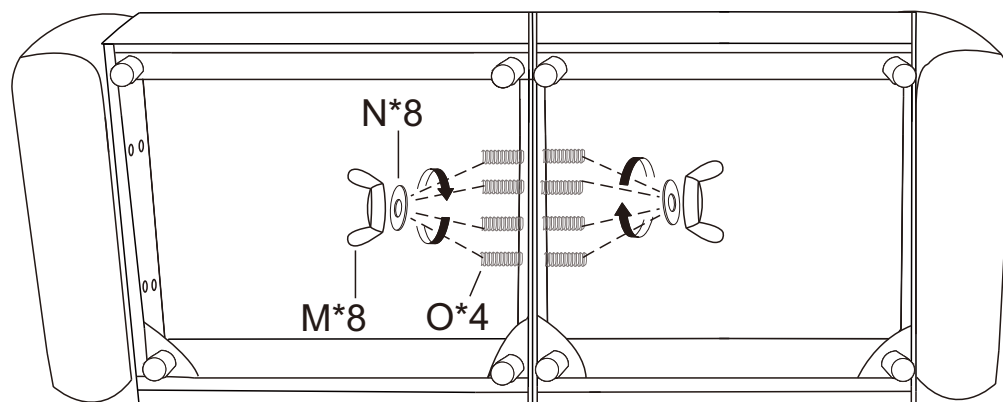
- ⑨ Assemble the Armrest (C) to the seat frame with Bolt(K) and Washer(N).



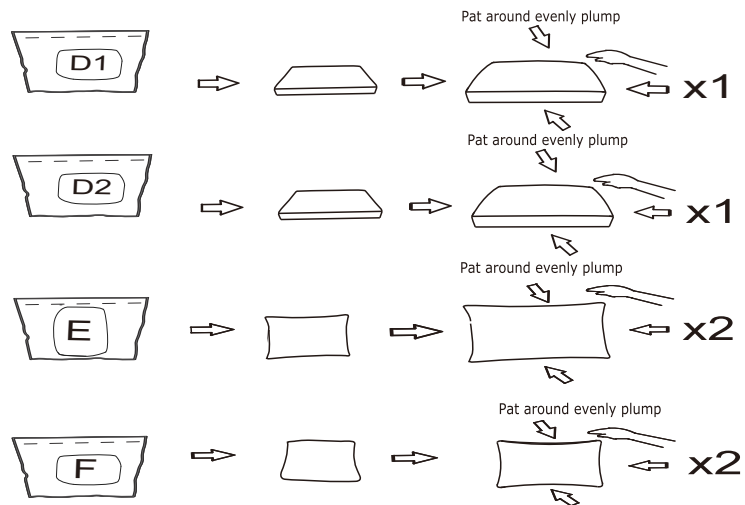
- ⑩ The Right side sofa is now installed.



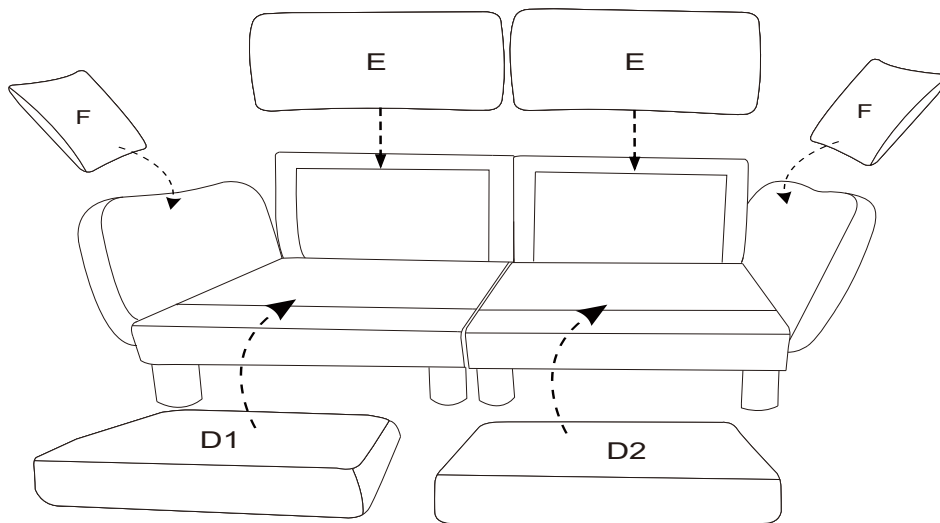
- ⑪ Assemble the two mounts together with Butterfly(M) Washer(N) and Bolt(O).



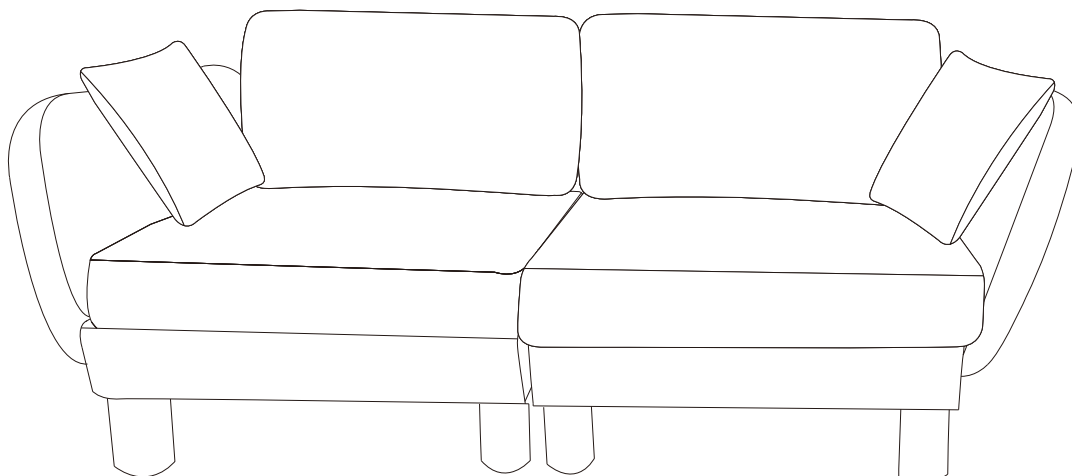
- ⑫ The cushion is packed by vacuum compression. After cutting the package, it rebounds quickly within 4 hours. If the fabric has wrinkles, it will basically disappear after standing for 72 hours.



- ⑬ Put seat Left seat cushion (D1) Right seat cushion(D2) and Back cushion(E) and Pillow (F) to sofa.



Completed.

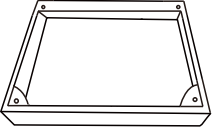
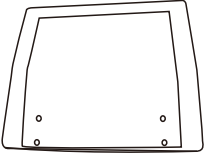
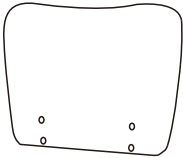

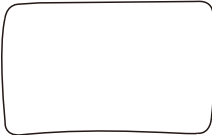
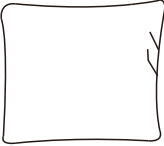

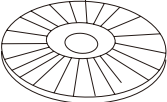
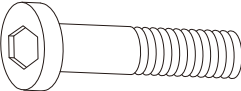
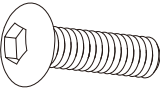
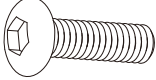


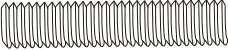




Assembly Instructions

IF YOU BUY 3 SEATER SOFA
please follow below assembly instruction

Parts List

(BOX 1)

A1  Left seat frame*1	B  Backrest*1	C  Armrest*1	D1  Left seat cushion*1
E  Back cushion*1	F  Pillow*1	G  Leg*4	H  Gasket*4
J  Bolt*2 M8*80mm	K  Bolt*4 M8*60mm	L  Bolt*2 M8*50mm	M  Butterfly nut*4
N  Washer*12	O  Bolt*4 M8*90mm	P  Allen key*1	Q  Allen key*1

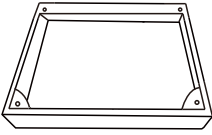
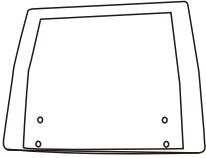
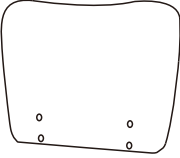


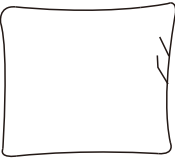

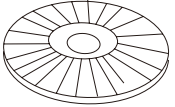
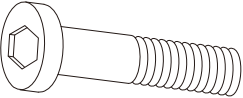
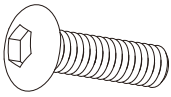
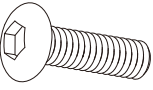


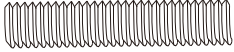


Note: Please retain all boxes until you are certain that your product isn't damaged and that you do not wish to return it. Disposal of boxes may prevent our ability to resolve your request.

Assembly Instructions

IF YOU BUY 3 SEATER SOFA
please follow below assembly instruction

Parts List

(BOX 2)

A2  Right seat frame*1	B  Backrest*1	C  Armrest*1	D2  Right seat cushion*1
E  Back cushion*1	F  Pillow*1	G  Leg*4	H  Gasket*4
J  Bolt*2 M8*80mm	K  Bolt*4 M8*60mm	L  Bolt*2 M8*50mm	M  Butterfly nut*4
N  Washer*12	O  Bolt*4 M8*90mm	P  Allen key*1	Q  Allen key*1

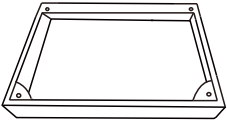
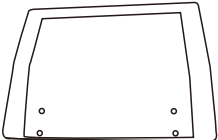


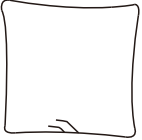

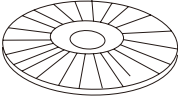
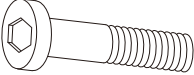
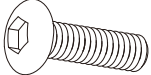


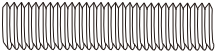


Note: Please retain all boxes until you are certain that your product isn't damaged and that you do not wish to return it. Disposal of boxes may prevent our ability to resolve your request.

Assembly Instructions

IF YOU BUY 3 SEATER SOFA
please follow below assembly instruction

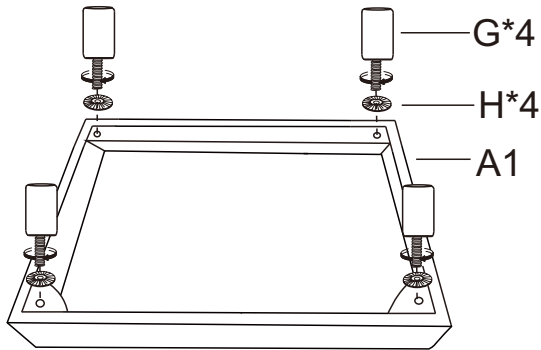
Parts List

(BOX 3)

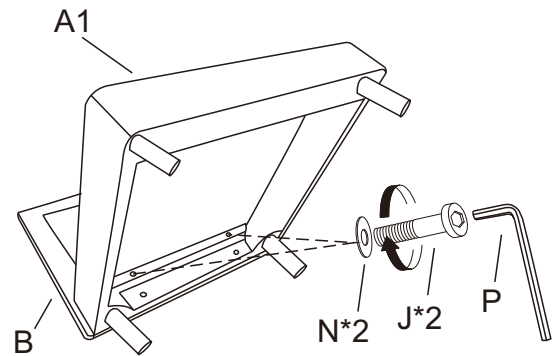
R  Middle seat frame*1	B  Backrest*1	U  Middle seat cushion*1	E  Back cushion*1
F  Pillow*1	G  Leg*4	H  Gasket*4	J  Bolt*2 M8*80mm
L  Bolt*2 M8*50mm	M  Butterfly nut*8	N  Washer*12	O  Bolt*4 M8*90mm
P  Allen key*1	Q  Allen key*1		

Note: Please retain all boxes until you are certain that your product isn't damaged and that you do not wish to return it. Disposal of boxes may prevent our ability to resolve your request.

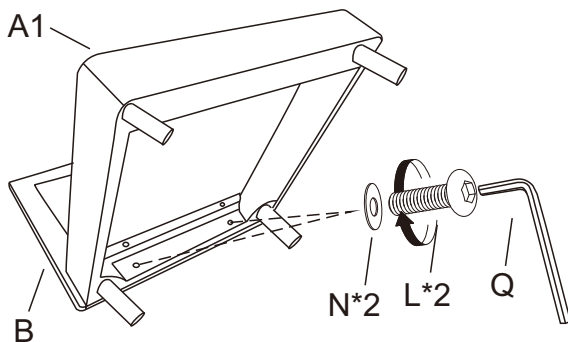
- ① Assemble the Leg(G) to the left seat frame(A1) with Gasket(H).



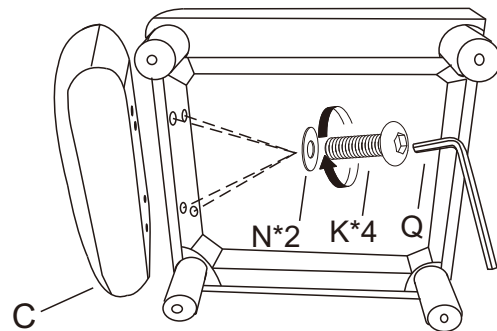
- ② Assemble the Backrest(B) to the Left seat frame(A1) with Bolt(J) and Washer(N).



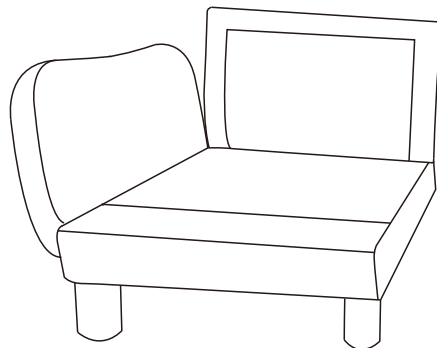
- ③ Assemble the Backrest (B) to the Left seat frame(A1) with Bolt(L) and Washer(N).



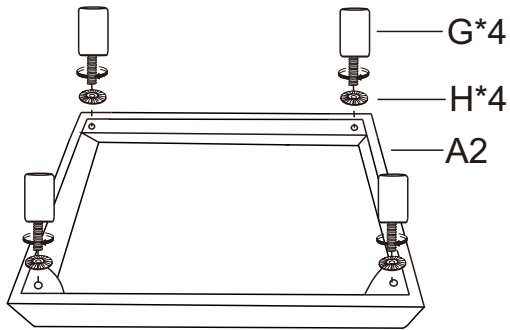
- ④ Assemble the Armrest(C) to the seat frame with Washer(N) and Bolt(K).



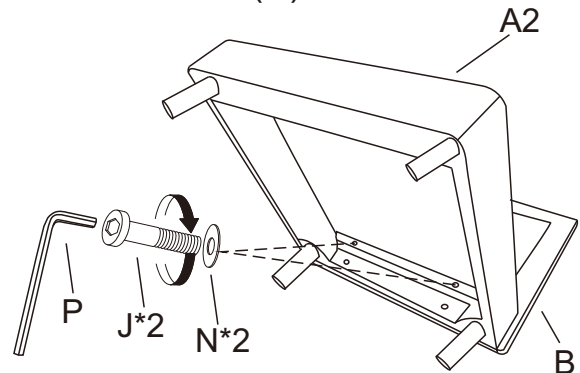
- ⑤ The Left side sofa is now installed.



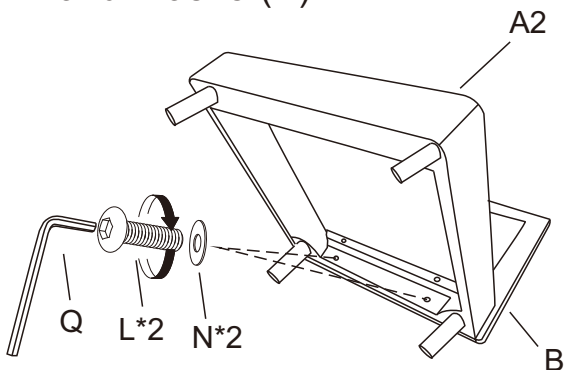
- ⑥ Assemble the Leg(G) to the Right seat frame(A2) with Gasket(H).



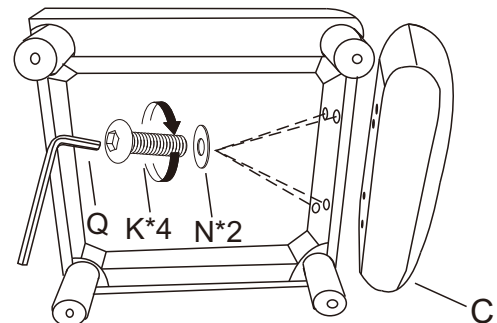
- ⑦ Assemble the Backrest (B) to the Right seat frame(A2) with Bolt(J) and Washer(N).



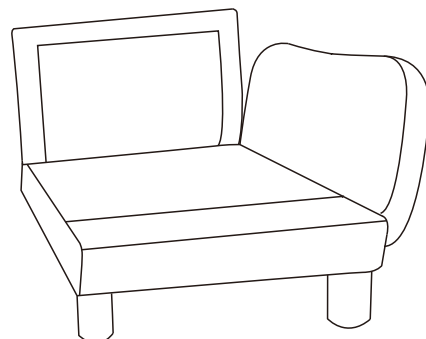
- ⑧ Assemble the Backrest (B) to the Left seat frame(A2) with Bolt(L) and Washer(N).



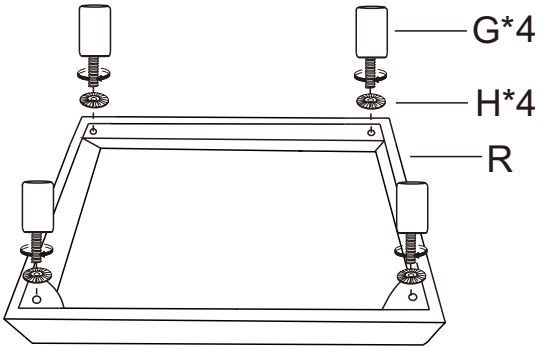
- ⑨ Assemble the Armrest (C) to the seat frame with Bolt(K) and Washer(N).



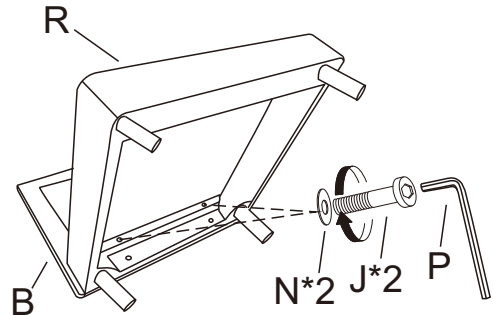
- ⑩ The Right side sofa is now installed.



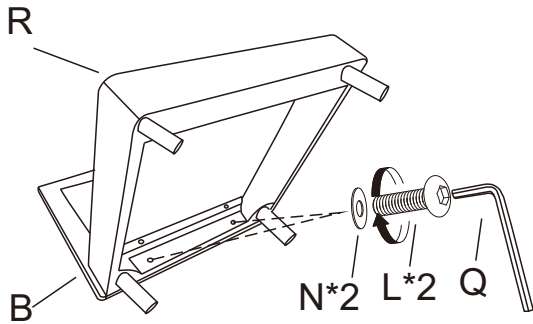
- ①① Assemble the Leg(G) to the Middle seat frame(R) with Gasket(H).



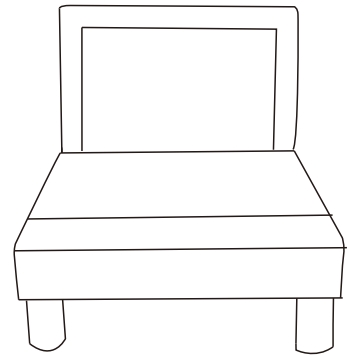
- ①② Assemble the Backrest (B) to the Middle seat frame(R) with Bolt(J) and Washer(N).



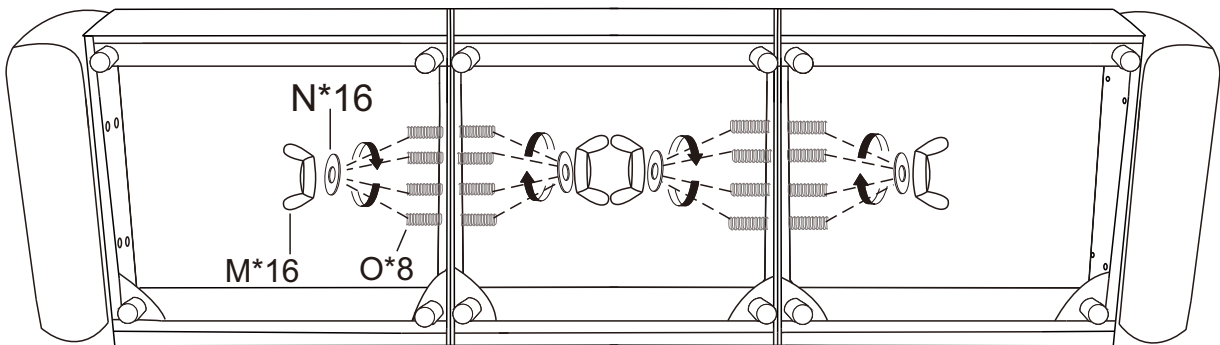
- ①③ Assemble the Backrest (B) to the Middle seat frame(R) with Bolt(L) and Washer(N).



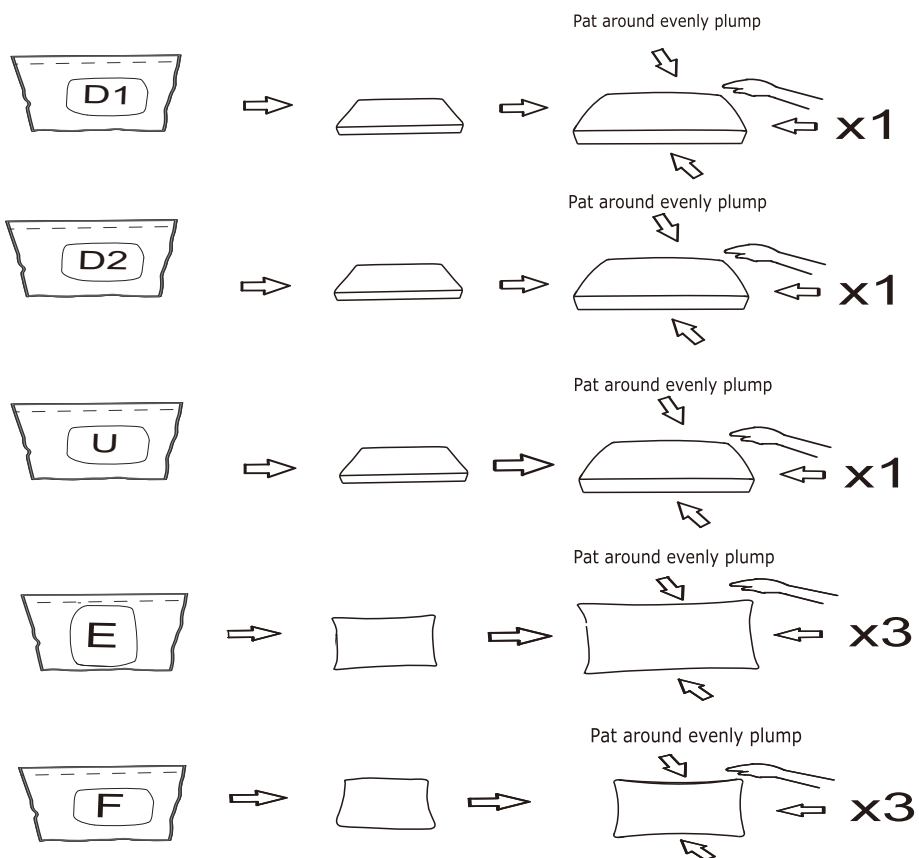
- ①④ The armless sofa is now installed.



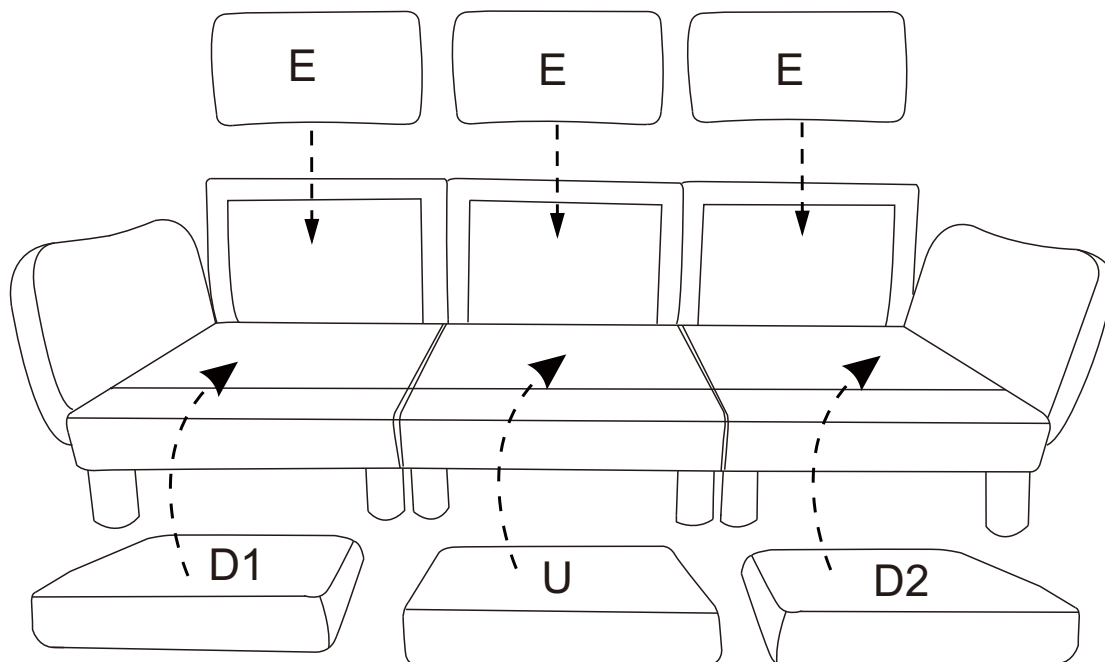
- ①⑤ Assemble the three mounts together with Butterfly (M) Washer(N) and Bolt (O).



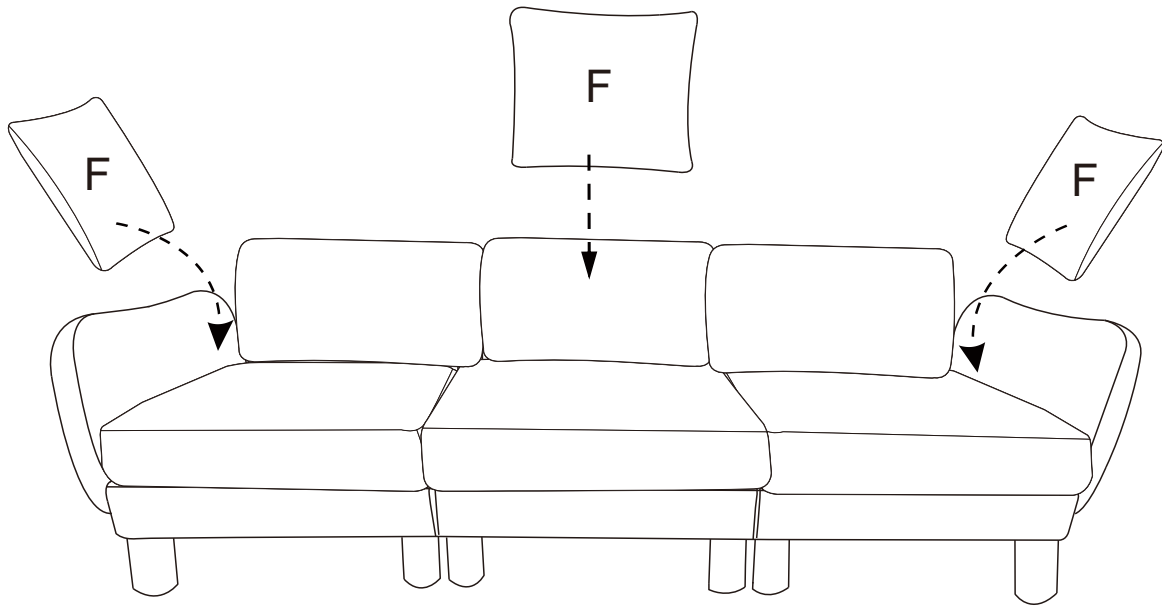
- 16 The cushion is packed by vacuum compression. After cutting the package, it rebounds quickly within 4 hours. If the fabric has wrinkles, it will basically disappear after standing for 72 hours.



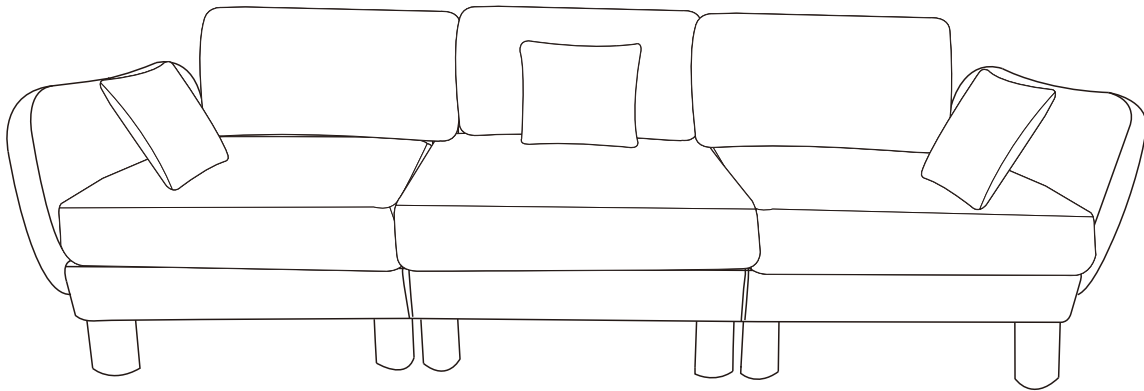
- 17 Put seat Left seat cushion (D1) Right seat cushion(D2) Middle seat cushion(U) and Back cushion(E) and Pillow (F) to sofa.



18 Put Pillow (F) to the sofa.



Completed.

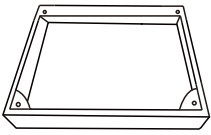
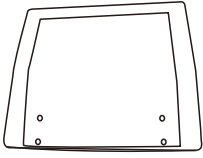
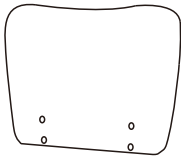
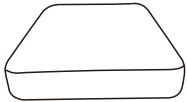
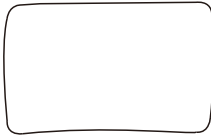
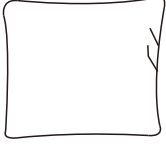

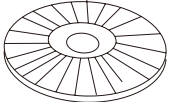
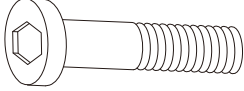
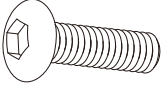
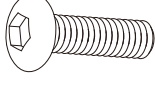
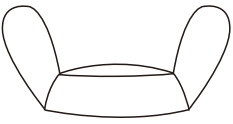






Assembly Instructions

IF YOU BUY 4 SEATER SOFA
please follow below assembly instruction

Parts List

(BOX 1)

A1  Left seat frame*1	B  Backrest*1	C  Armrest*1	D1  Left seat cushion*1
E  Back cushion*1	F  Pillow*1	G  Leg*4	H  Gasket*4
J  Bolt*2 M8*80mm	K  Bolt*4 M8*60mm	L  Bolt*2 M8*50mm	M  Butterfly nut*4
N  Washer*12	O  Bolt*4 M8*90mm	P  Allen key*1	Q  Allen key*1

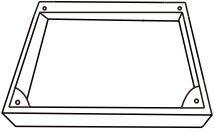
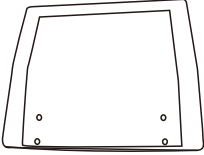
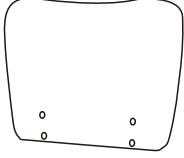


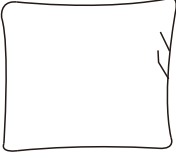

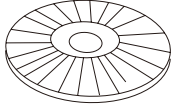
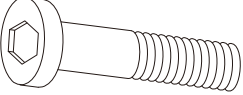
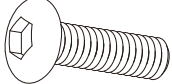
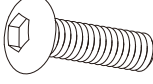





Note: Please retain all boxes until you are certain that your product isn't damaged and that you do not wish to return it. Disposal of boxes may prevent our ability to resolve your request.

Assembly Instructions

IF YOU BUY 4 SEATER SOFA
please follow below assembly instruction

Parts List

(BOX 2)

A2  Right seat frame*1	B  Backrest*1	C  Armrest*1	D2  Right seat cushion*1
E  Back cushion*1	F  Pillow*1	G  Leg*4	H  Gasket*4
J  Bolt*2 M8*80mm	K  Bolt*4 M8*60mm	L  Bolt*2 M8*50mm	M  Butterfly nut*4
N  Washer*12	O  Bolt*4 M8*90mm	P  Allen key*1	Q  Allen key*1

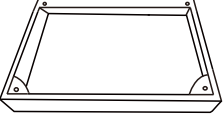
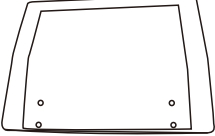
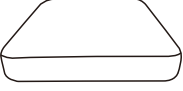

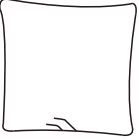

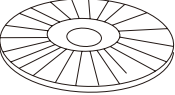
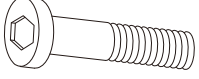
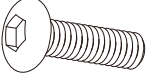





Note: Please retain all boxes until you are certain that your product isn't damaged and that you do not wish to return it. Disposal of boxes may prevent our ability to resolve your request.

Assembly Instructions

IF YOU BUY 4 SEATER SOFA
please follow below assembly instruction

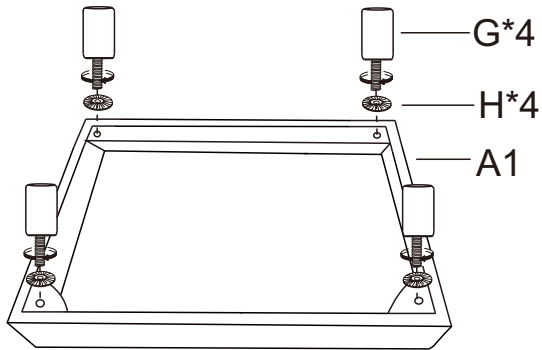
Parts List

(BOX 3)

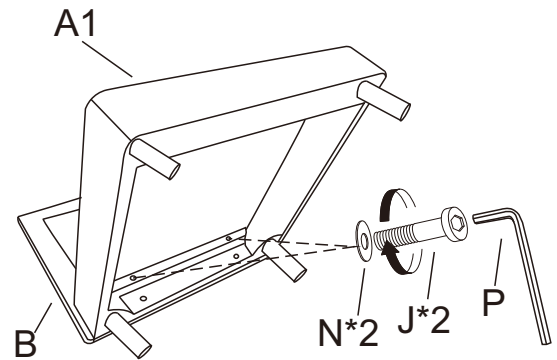
R  Middle seat frame*2	B  Backrest*2	U  Middle seat cushion*2	E  Back cushion*2
F  Pillow*2	G  Leg*8	H  Gasket*8	J  Bolt*4 M8*80mm
L  Bolt*4 M8*50mm	M  Butterfly nut*16	N  Washer*24	O  Bolt*8 M8*90mm
P  Allen key*2	Q  Allen key*2		

Note: Please retain all boxes until you are certain that your product isn't damaged and that you do not wish to return it. Disposal of boxes may prevent our ability to resolve your request.

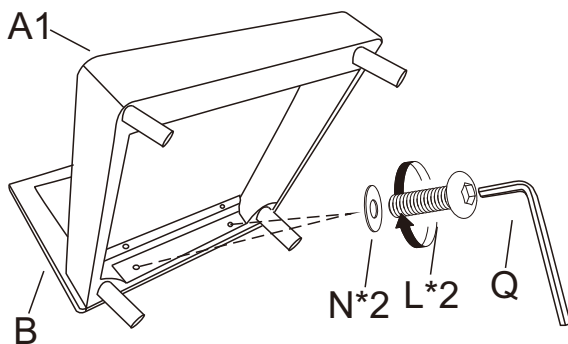
- ① Assemble the Leg(G) to the Left seat frame(A1) with Gasket(H).



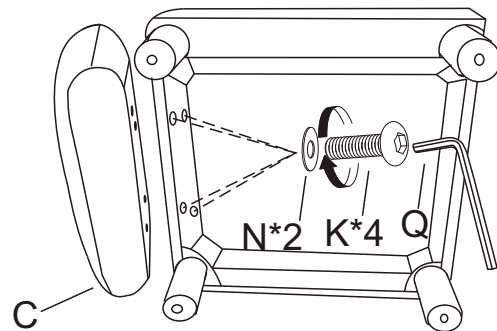
- ② Assemble the Backrest(B) to the Left seat frame(A1) with Bolt(J) and Washer(N).



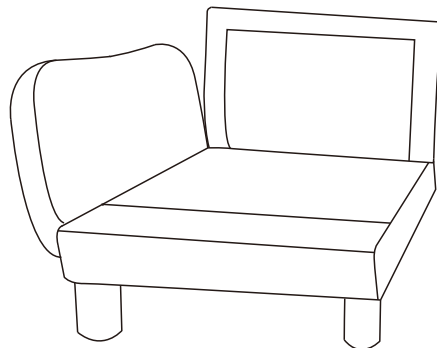
- ③ Assemble the Backrest (B) to the Left seat frame(A1) with Bolt(L) and Washer(N).



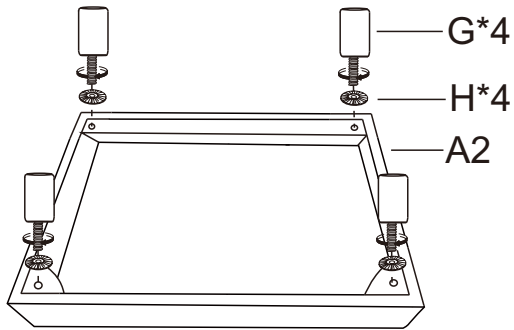
- ④ Assemble the Armrest(C) to the seat frame with Washer(N) and Bolt(K).



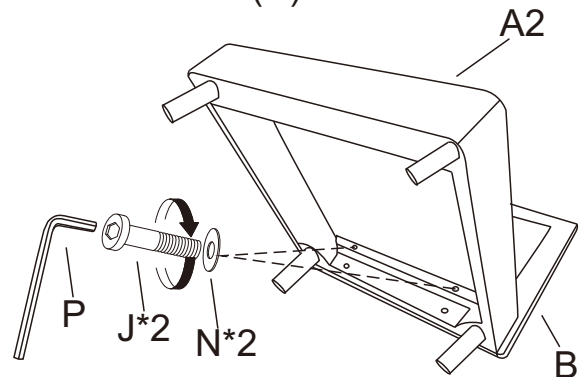
- ⑤ The Left side sofa is now installed.



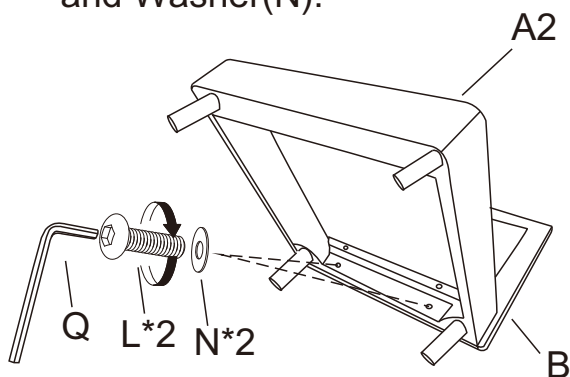
⑥ Assemble the Leg(G) to the Right seat frame(A2) with Gasket(H).



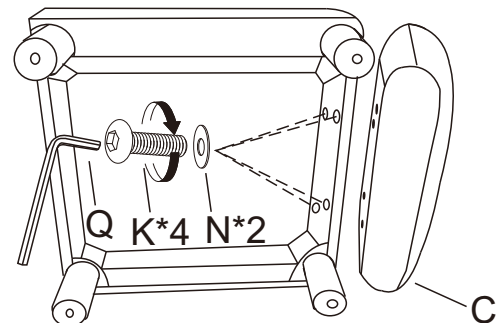
⑦ Assemble the Backrest (B) to the Right seat frame(A2) with Bolt(J) and Washer(N).



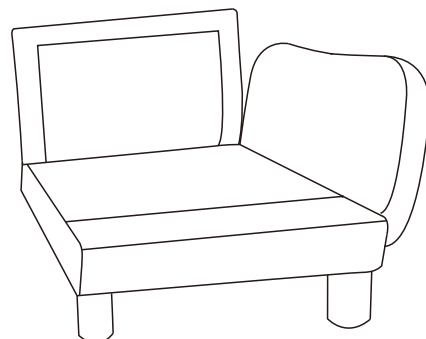
⑧ Assemble the Backrest (B) to the Left seat frame(A2) with Bolt(L) and Washer(N).



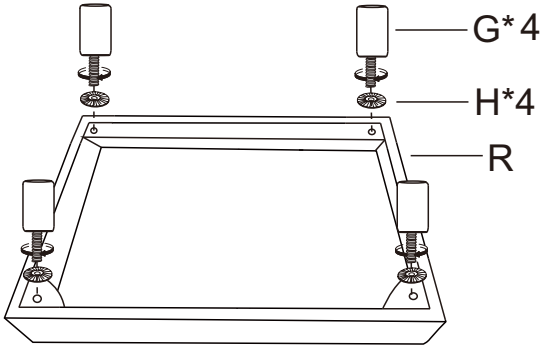
⑨ Assemble the Armrest(C) to the seat frame with Bolt(K) and Washer(N).



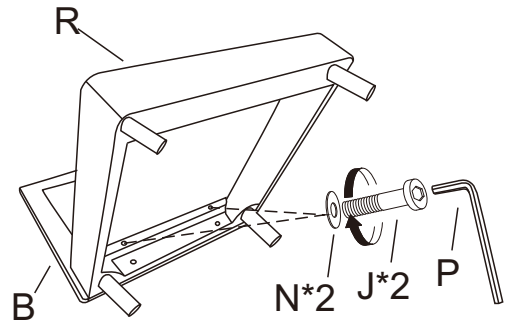
⑩ The Right side sofa is now installed.



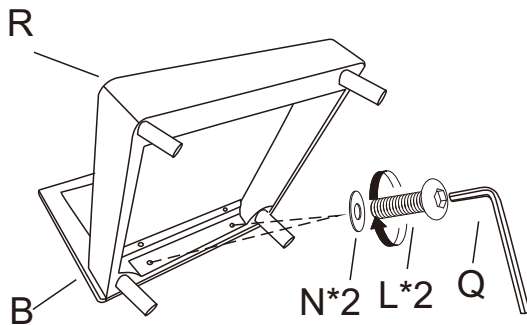
- ⑪ Assemble the Leg(G) to the Middle seat frame(R) with Gasket(H).



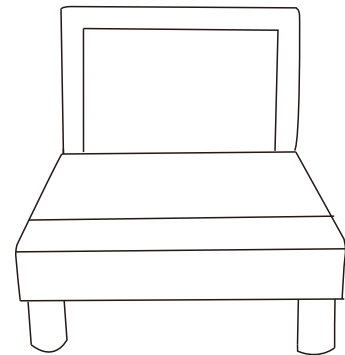
- ⑫ Assemble the Backrest (B) to the Middle seat frame(R) with Bolt(J) and Washer(N).



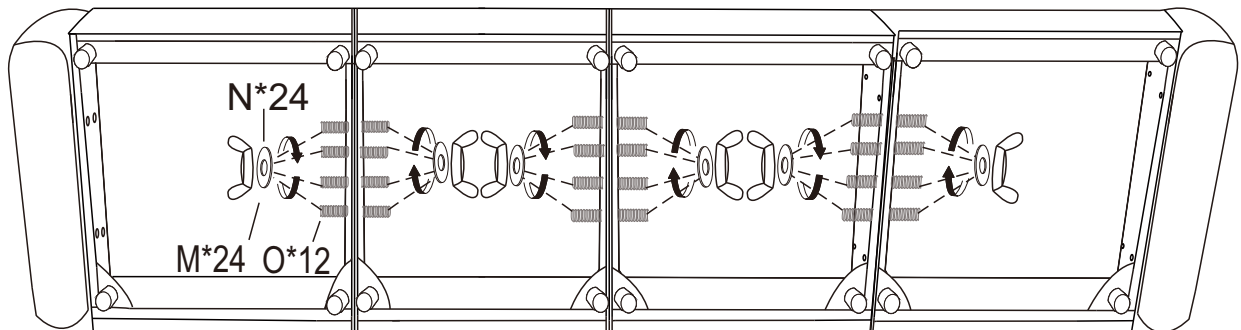
- ⑬ Assemble the Backrest (B) to the Middle seat frame(R) with Bolt(L) and Washer(N).



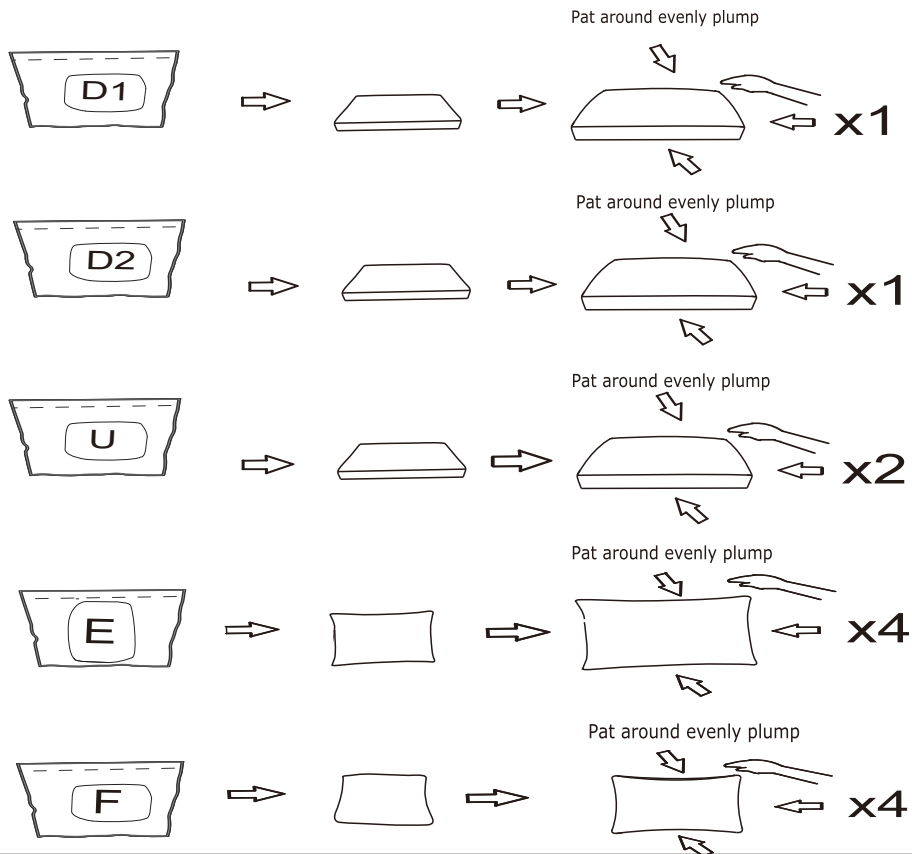
- ⑭ The armless sofa is now installed.



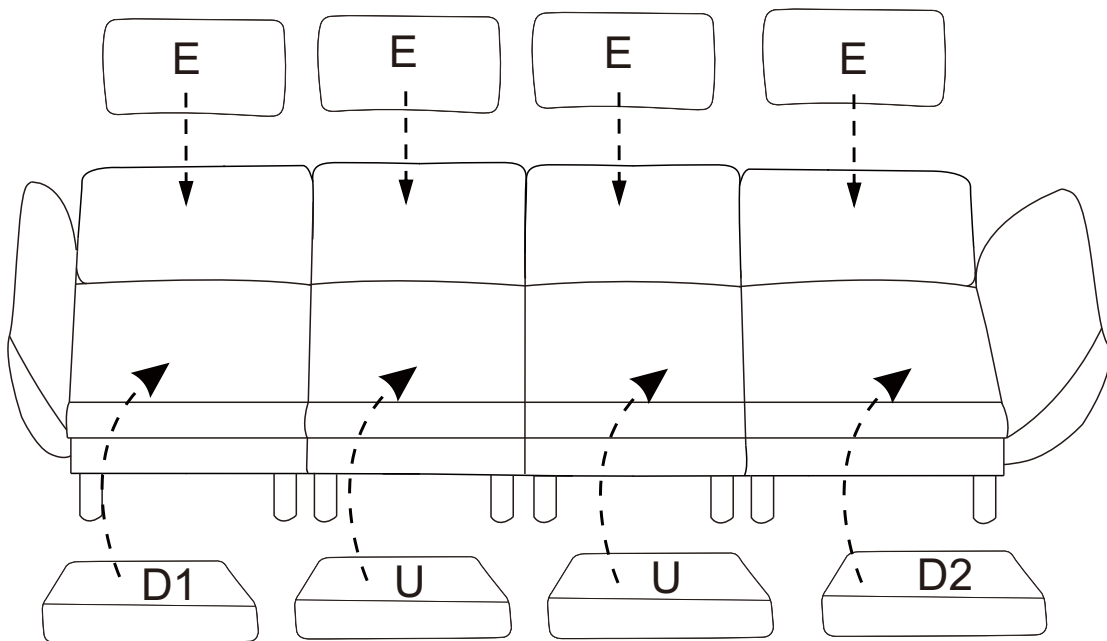
- ⑮ Assemble the four mounts together with Butterfly (M) Washer(N) and Bolt (O).



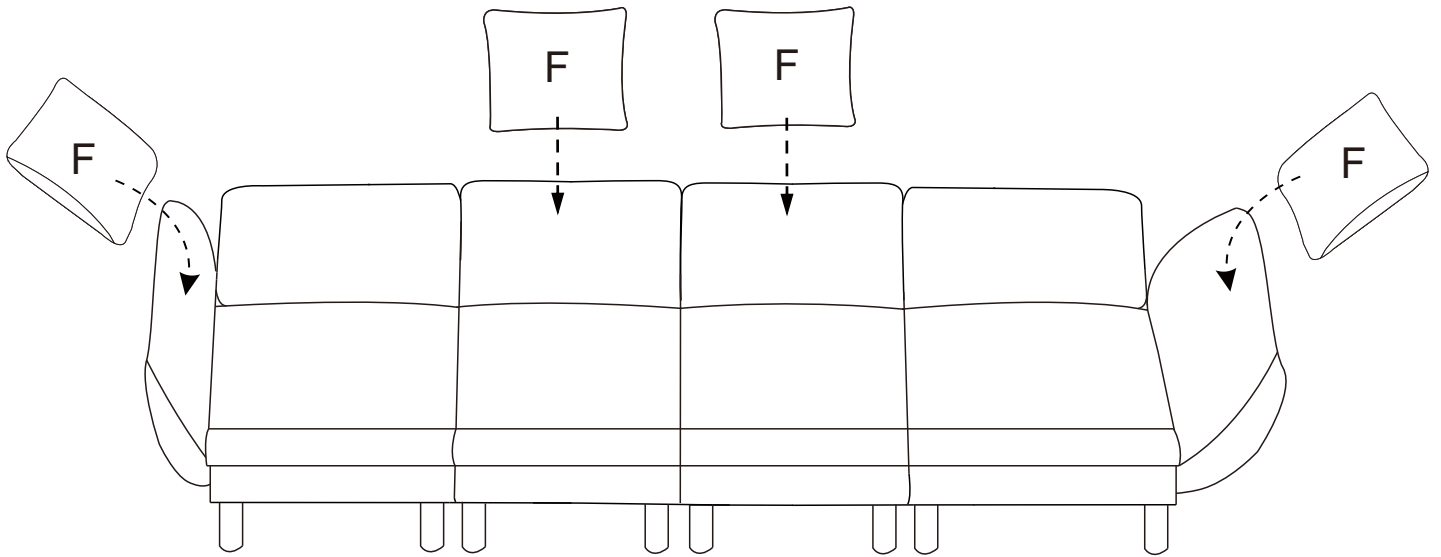
- 16) The cushion is packed by vacuum compression. After cutting the package, it rebounds quickly within 4 hours. If the fabric has wrinkles, it will basically disappear after standing for 72 hours.



- 17) Put seat Left seat cushion (D1) Right seat cushion(D2) Middle seat cushion(U) and Back cushion(E) and Pillow (F) to sofa.



18 Put Pillow (F) to the sofa.



Completed.

