

NOTICE

- *Please make sure that you have all parts indicated and they are in good condition before you begin assembly of this item. Refer to part list and hardware list below for guidance.
- *This item should be assembled on a soft surface to prevent scratching the finish during assembly.
- *This item may require periodic tightening.
- *If you are having difficulty, our friendly Customer Care team is always here to help.


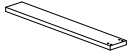






PREPARATION

- *Before beginning assembly of product, make sure all parts are present. Compare parts with part contents list and hardware contents list.
- *If any part is missing or damaged, do not attempt to assemble the product.
- *Tools Required for Assembly (included): Allen Key
- *Estimated Assembly Time: 10 minutes.

CARE AND MAINTENANCE

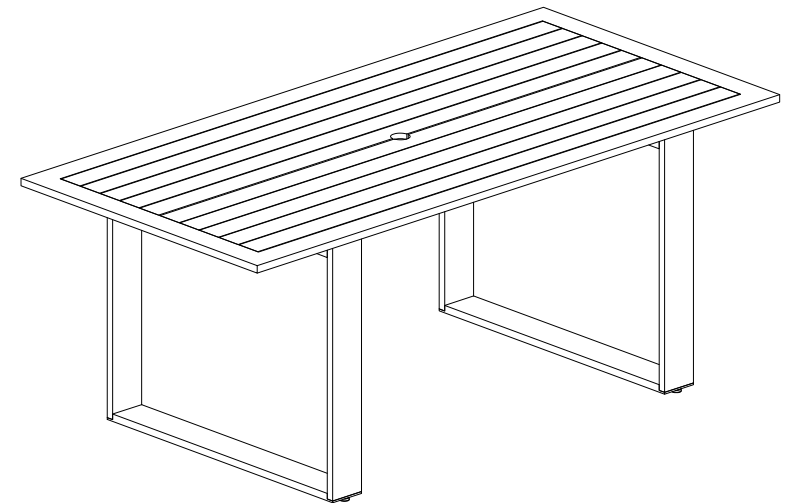
Store outdoor furniture indoors or cover well when not in use. Dust regularly with small brush or vacuum. Spills should be taken care of immediately before they harden or stain with a slightly damp sponge.

Part List and Hardware List

PIECE	DESCRIPTION	PICTURE	QUANTITY
A	Table Top		1x
B	Table Leg		4x
C	Table Support		2x
HW1	Allen Bolt (M6x20)		8x
HW2	Allen Bolt (M6x55)		16x
HW3	Flat Washer (M6)		24x
HW4	Allen Key (4x75)		1x
HW5	Leveler Foot (M6)		4x

Installation & Assembly

71.26"L x 34.25"W x 28.74"H



Weight capacity : 275 Lbs (single seat)
Warning : Do not stand on table
Warning : Do not over torque bolts/screws

PREPARATION

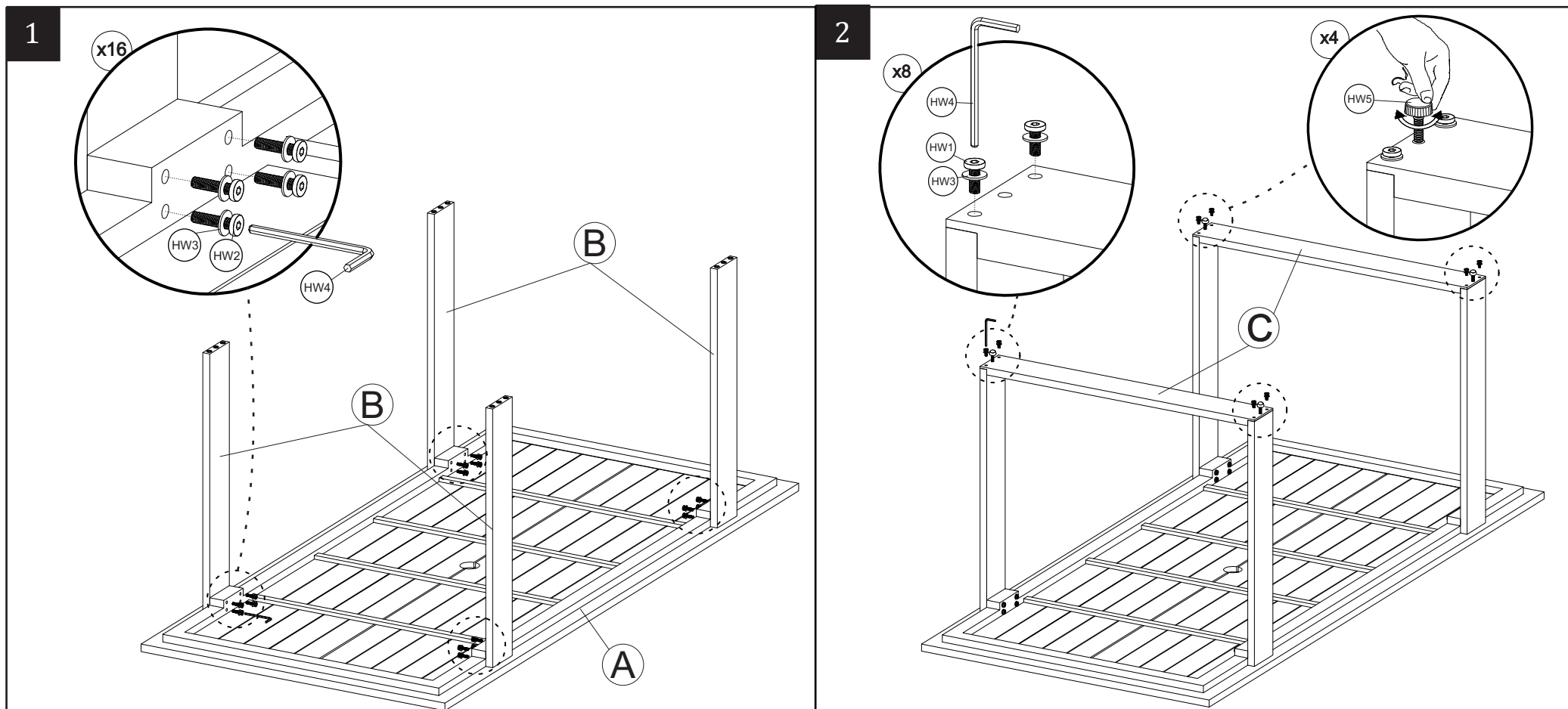
*Before beginning assembly of product, make sure all parts are present. Compare parts with part contents list and hardware contents list.

*If any part is missing or damaged, do not attempt to assemble the product.

*Estimated Assembly Time : 10 minutes.

*Tools Required for Assembly (included): Allen Key

*If you are having difficulty, our friendly Customer care team is always here to help.



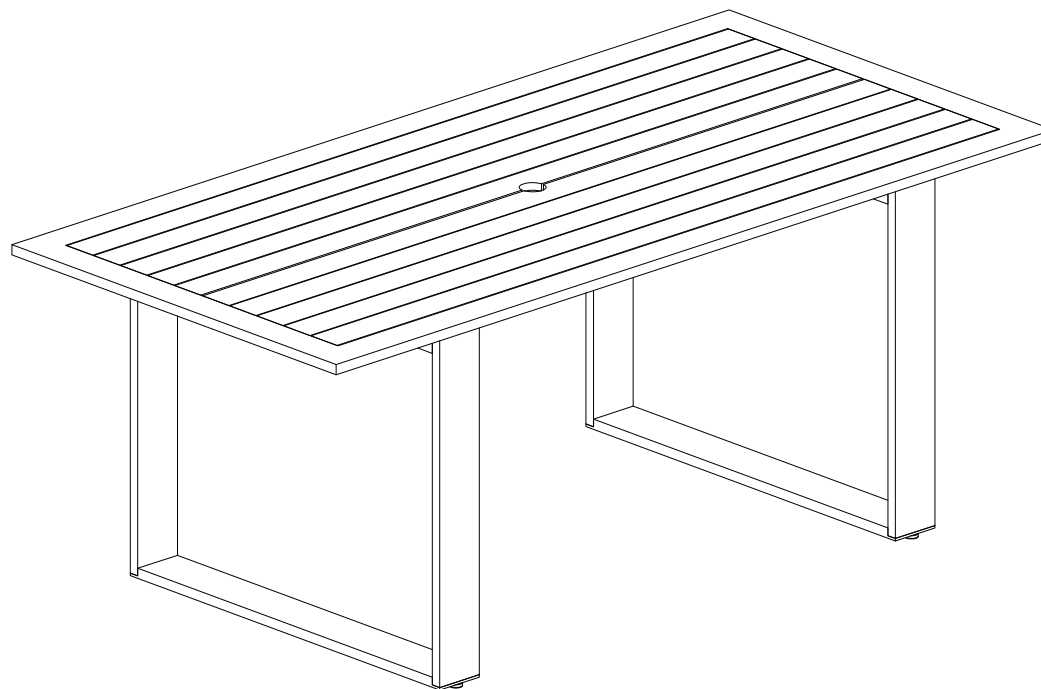
STEP 1: Place the Table Top (A) upside down on a soft surface. Align the screw holes on it to the screw holes on the Table Legs (B). Place the Flat Washer (HW3) on the Allen Bolts (HW2) in the order shown below. Use the Allen Key (HW4) to screw in the Bolts (HW2) with the washers attached.

STEP 2: Align the screw holes on the Table Support (C) to the screw holes on the Table Leg (B). Place the the Flat Washer (HW5) on the Allen Bolts (HW1) in the order shown below. Use the Allen Key (HW4) to screw in the Bolts (HW1) with the washers attached.

PREPARATION

- *Before beginning assembly of product, make sure all parts are present. Compare parts with part contents list and hardware contents list.
- *If any part is missing or damaged, do not attempt to assemble the product.
- *Estimated Assembly Time : 10 minutes.
- *Tools Required for Assembly (included): Allen Key
- *If you are having difficulty, our friendly Customer care team is always here to help.

3



STEP 3: Finishing for using