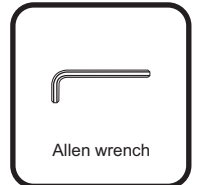
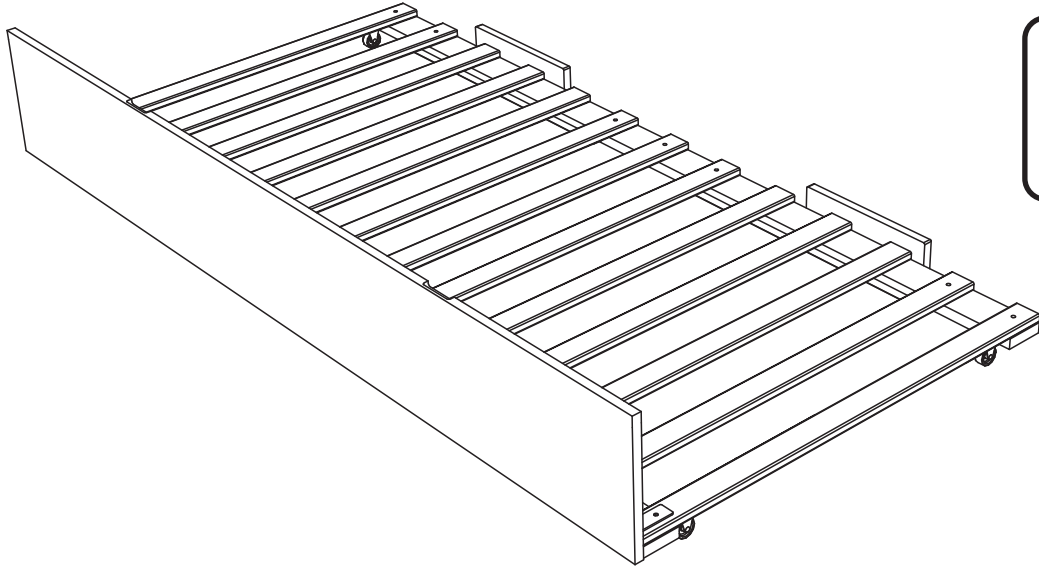


# TRUNDLE BED

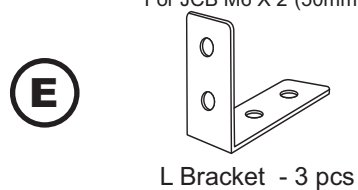
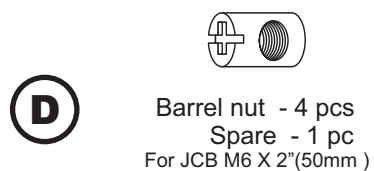
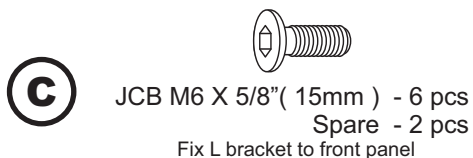
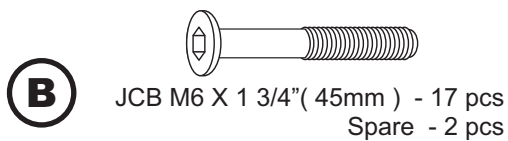
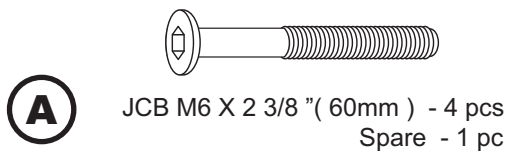
## ASSEMBLY INSTRUCTIONS

Before assembling your Trundle bed, please read through these instructions carefully. Familiarize yourself with the different parts.



## HARDWARE

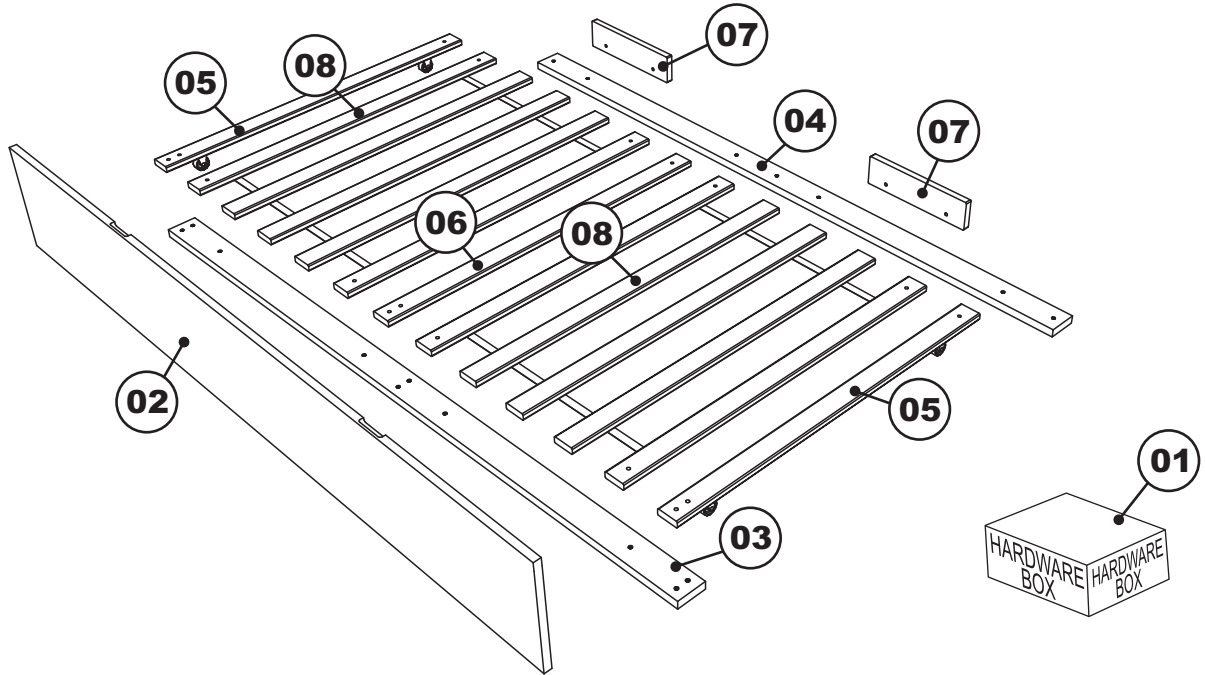
NOTE: WE INCLUDE SPARE HARDWARE IN CASE DAMAGE OCCURS DURING ASSEMBLY.



# TRUNDLE BED

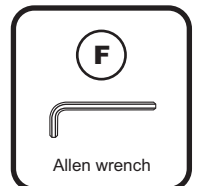
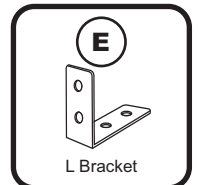
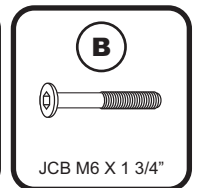
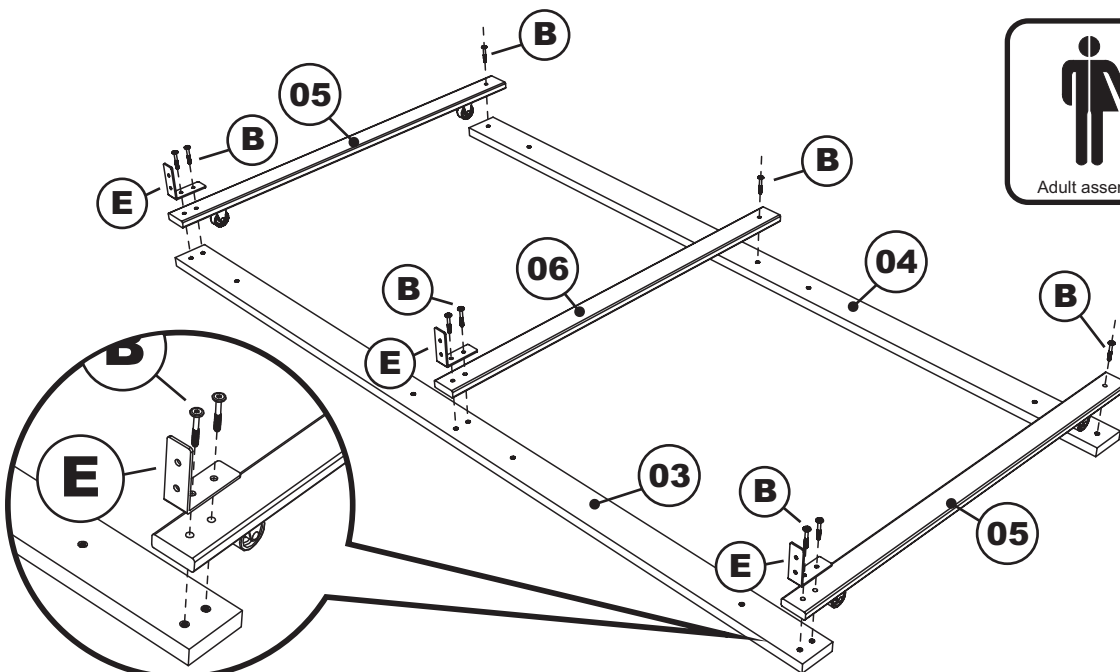
## PARTS LIST

<b>01</b>	<b>HARDWARE</b>	<b>1 BOX</b>	<b>05</b>	<b>SIDE CROSS RAIL</b>	<b>2 PCS</b>
<b>02</b>	<b>FRONT PANEL</b>	<b>1 PC</b>	<b>06</b>	<b>CENTER CROSS RAIL</b>	<b>1 PC</b>
<b>03</b>	<b>FRONT RAIL</b>	<b>1 PC</b>	<b>07</b>	<b>REAR BLOCK</b>	<b>2 PCS</b>
<b>04</b>	<b>BACK RAIL</b>	<b>1 PC</b>	<b>08</b>	<b>SLAT KIT</b>	<b>2 SET</b>



### Step 1

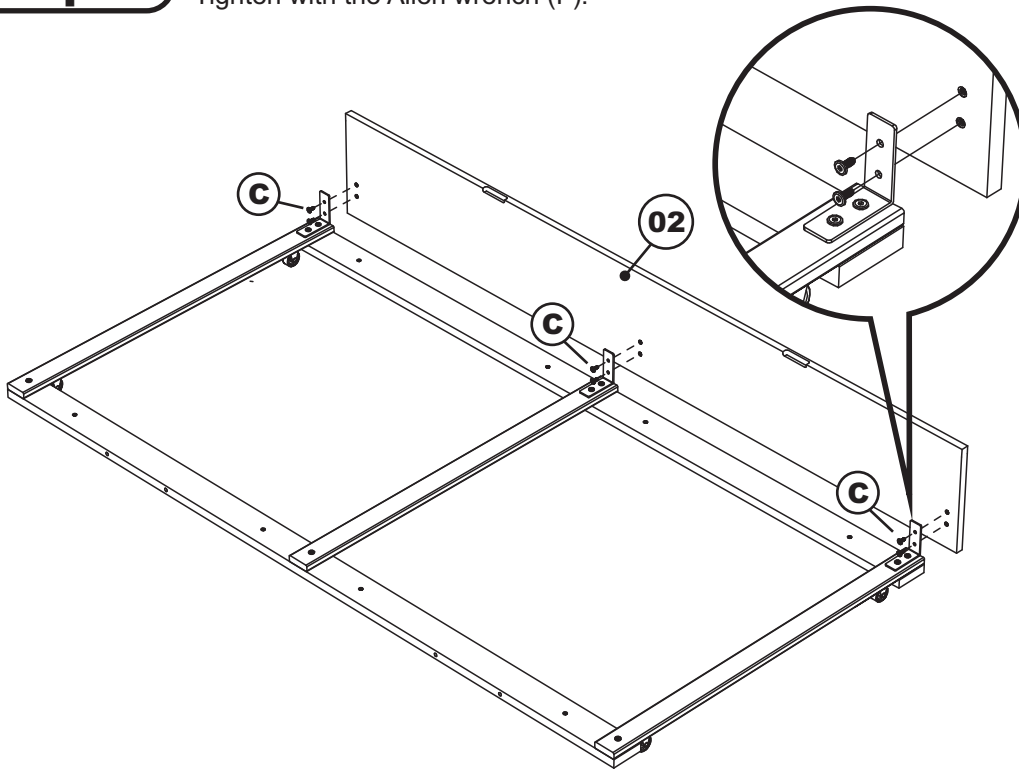
Attach the side cross rails (05) and center cross rail (06) to the front and back rail (03)(04), using L bracket (E), JCB M6 X 1 3/4"(B). Tighten with the Allen wrench (F).



# TRUNDLE BED

## Step 2

Attach the front panel (02) to the front rail as shown, using JCB M6 X 5/8" (C). Tighten with the Allen wrench (F).



Adult assembly

C



JCB M6 X 5/8"

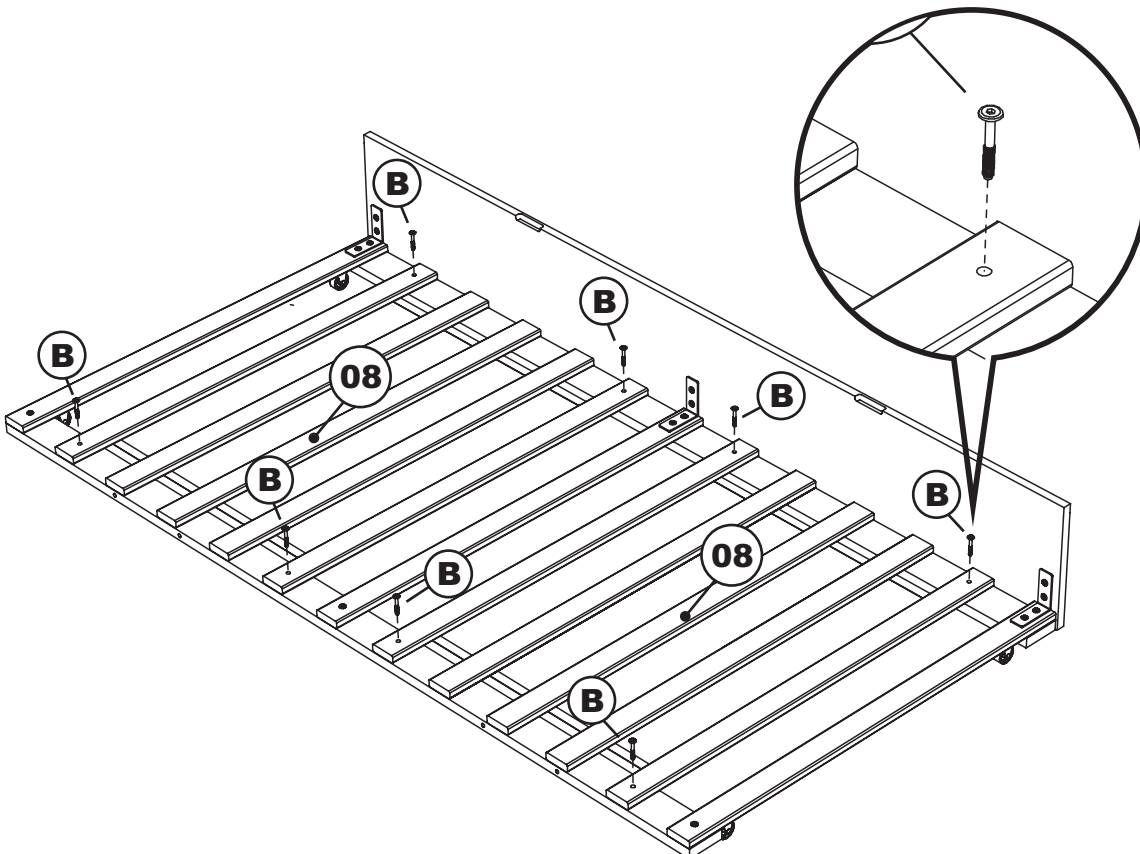
F



Allen wrench

## Step 3

Lay the kit (08) onto the rail assembly as shown, using JCB M6 X 1 3/4" (B). Tighten with the Allen wrench (F).



Adult assembly

B



JCB M6 X 1 3/4"

F

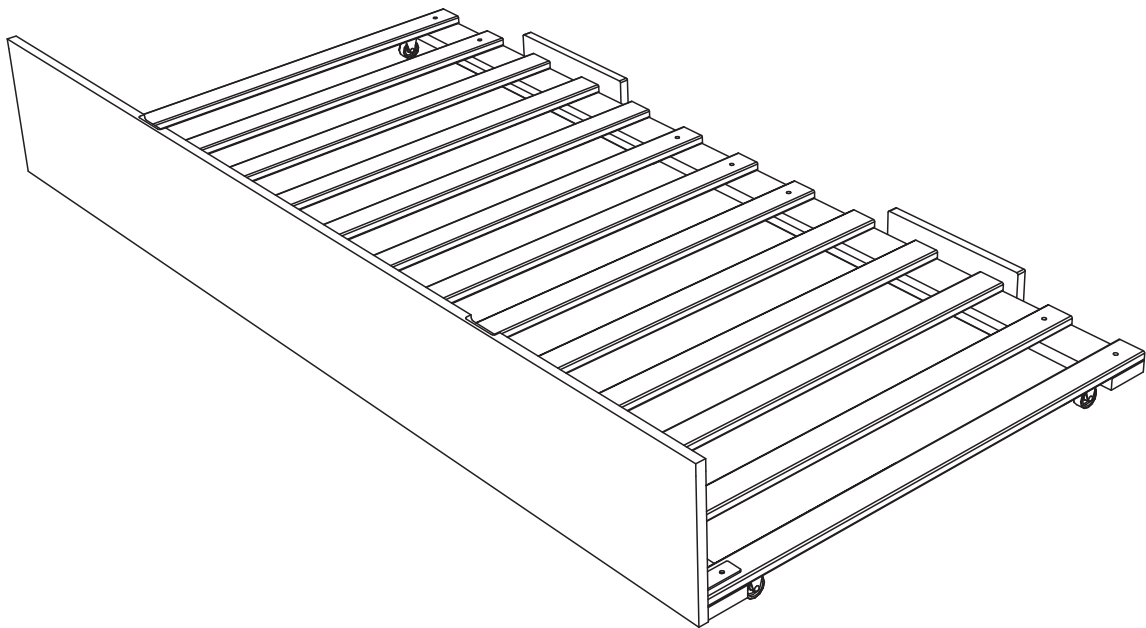
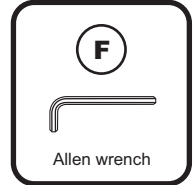
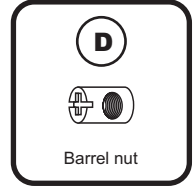
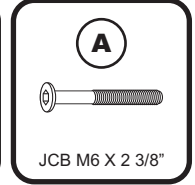
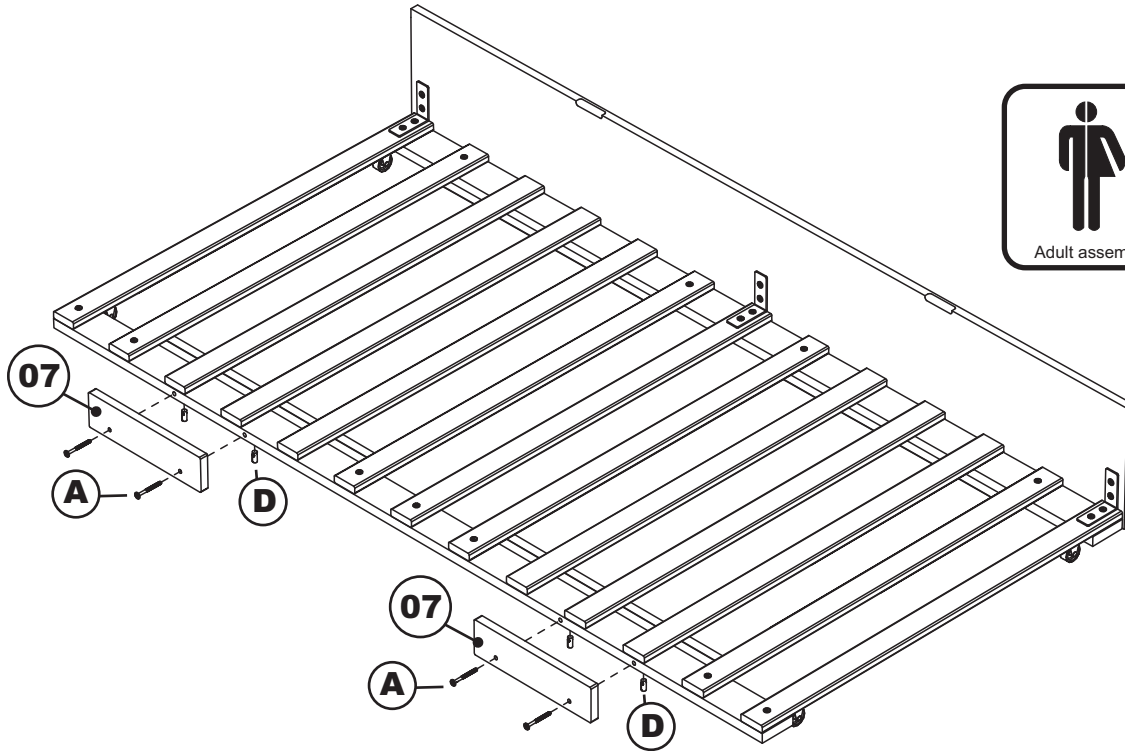


Allen wrench

# TRUNDLE BED

## Step 4

Attach the rear block (07) to the back rail as shown. Using JCB M6 X 2 3/8" (A) barrel nut (D), tighten with the Allen wrench (F).



## Congratulations!

Your bed is now ready for use.

We recommend that you periodically check that all screws are tight and all parts are secure to ensure lasting safety.