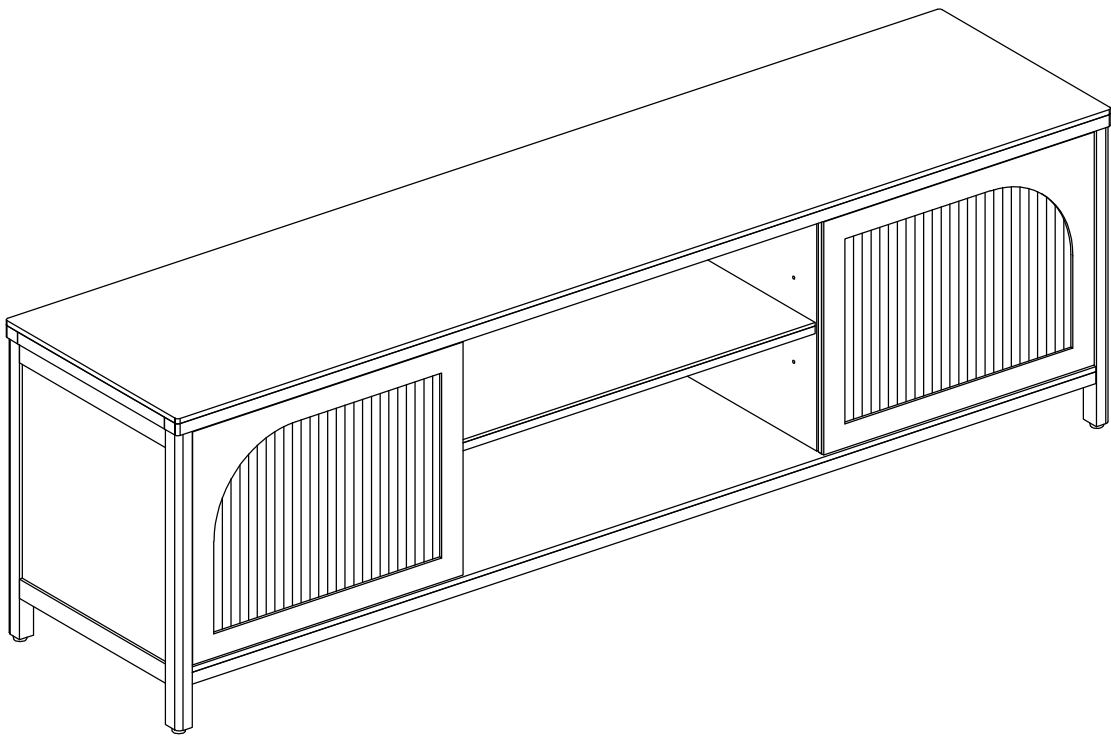


BAMBOO TV STAND



W2207P334018

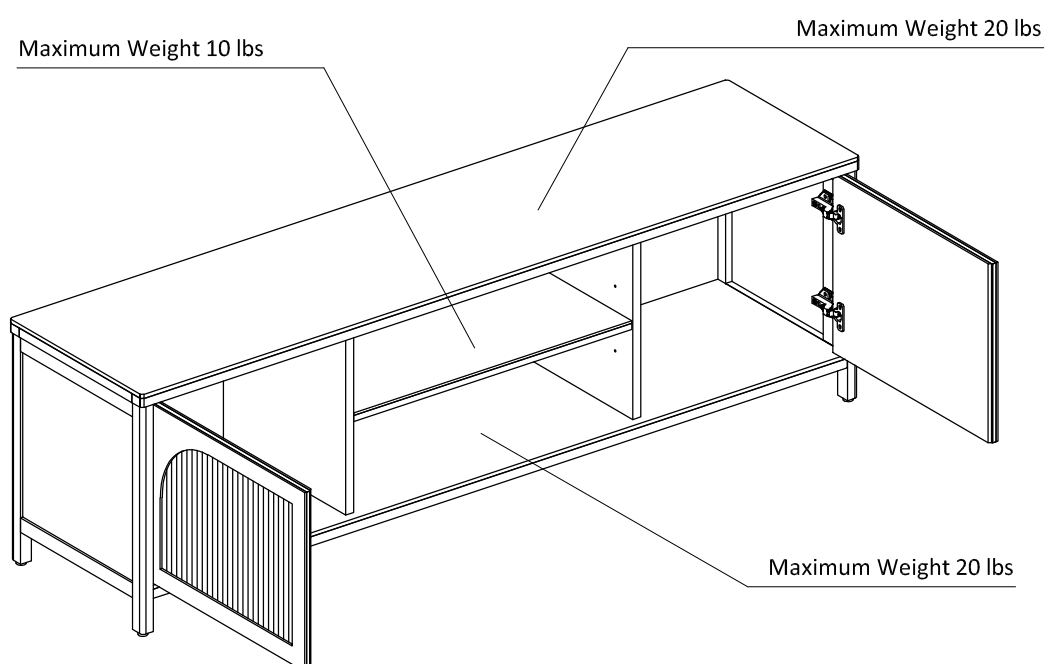
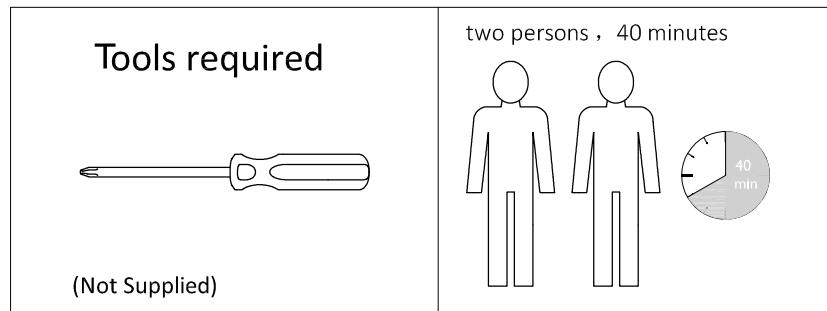
Getting started

Thank you for purchasing **this product**. Read the instructions and warnings carefully before use, to ensure safe and satisfactory operation of this product.

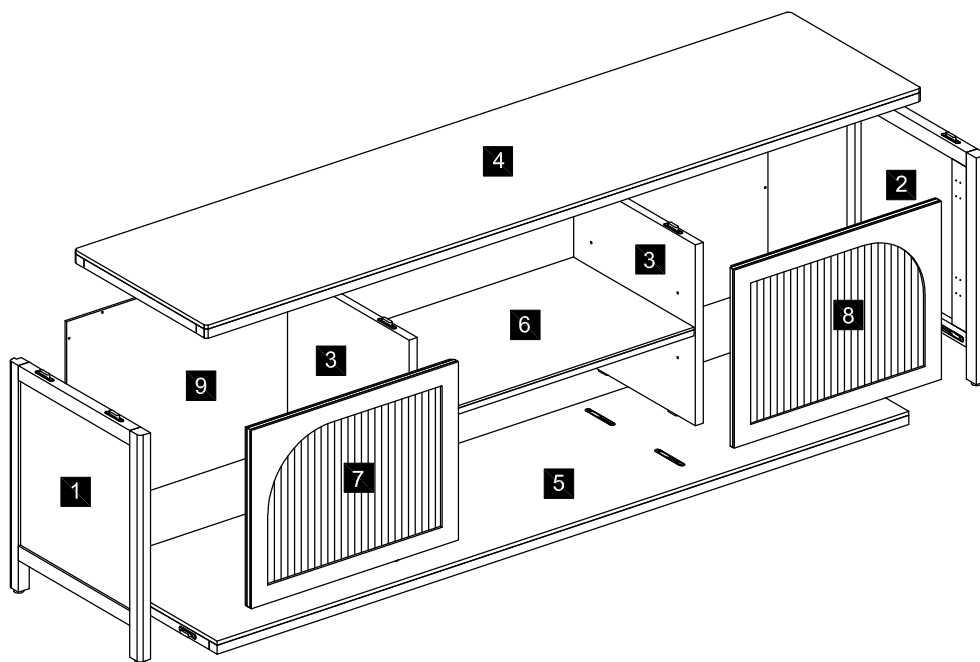


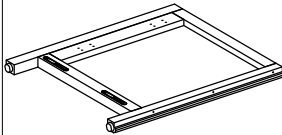
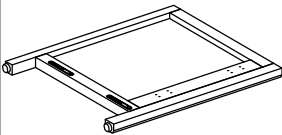
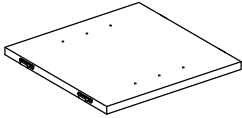
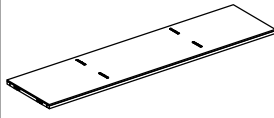
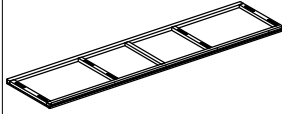
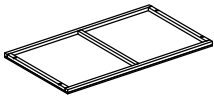
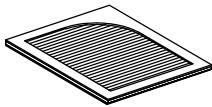
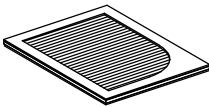
WARNING

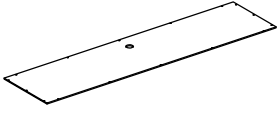
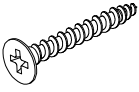
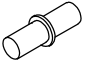

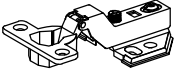
- Do not let any sharp objects touch or rub the surface of the product.
- When assembling, do not let children play around the working area.
- Please confirm all parts are correct before starting the assembly process.
- Do not tighten all bolts and screws completely until the entire unit has been assembled and set up.
- **DO NOT USE POWER TOOLS.**
- Power tools can over tighten screws and strip threads.
- For each screw:
 1. Tighten each screw until you meet resistance.
 2. Tighten one additional full rotation. **DO NOT OVER TIGHTEN.**



Fittings and parts checklist



No.	Picture	Name	Qty	No.	Picture	Name	Qty
1		Left side frame	1	2		Right side frame	1
3		Divider	2	4		Top panel	1
5		Bottom panel	1	6		Adjustable shelf	1
7		Left door	1	8		Right door	1

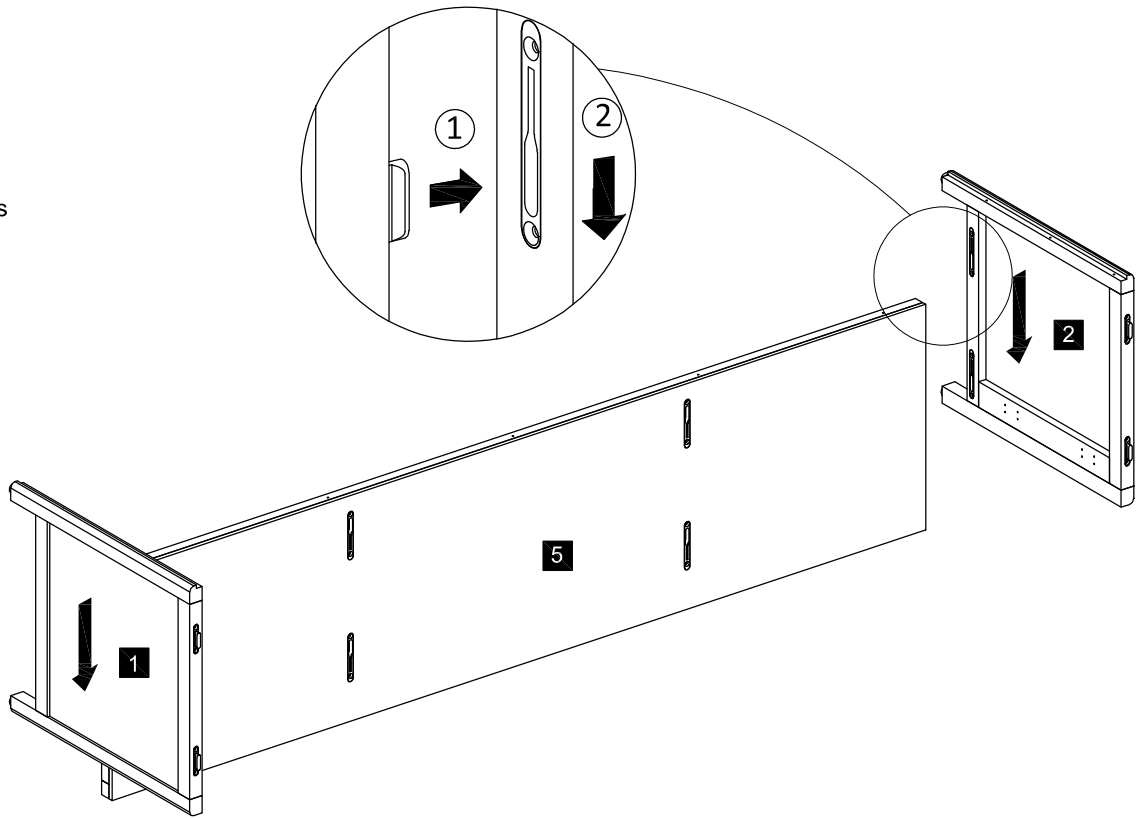
No.	Picture	Name	Qty	No.	Picture	Name	Qty
9		Back panel	1	A		M3.5 x 18 Screw	16
B		Shelf Support	4	C		M3.5 x 12 Screw	24
D		Hinge	4				

Product assembly

Step 1

Parts, fittings and tools

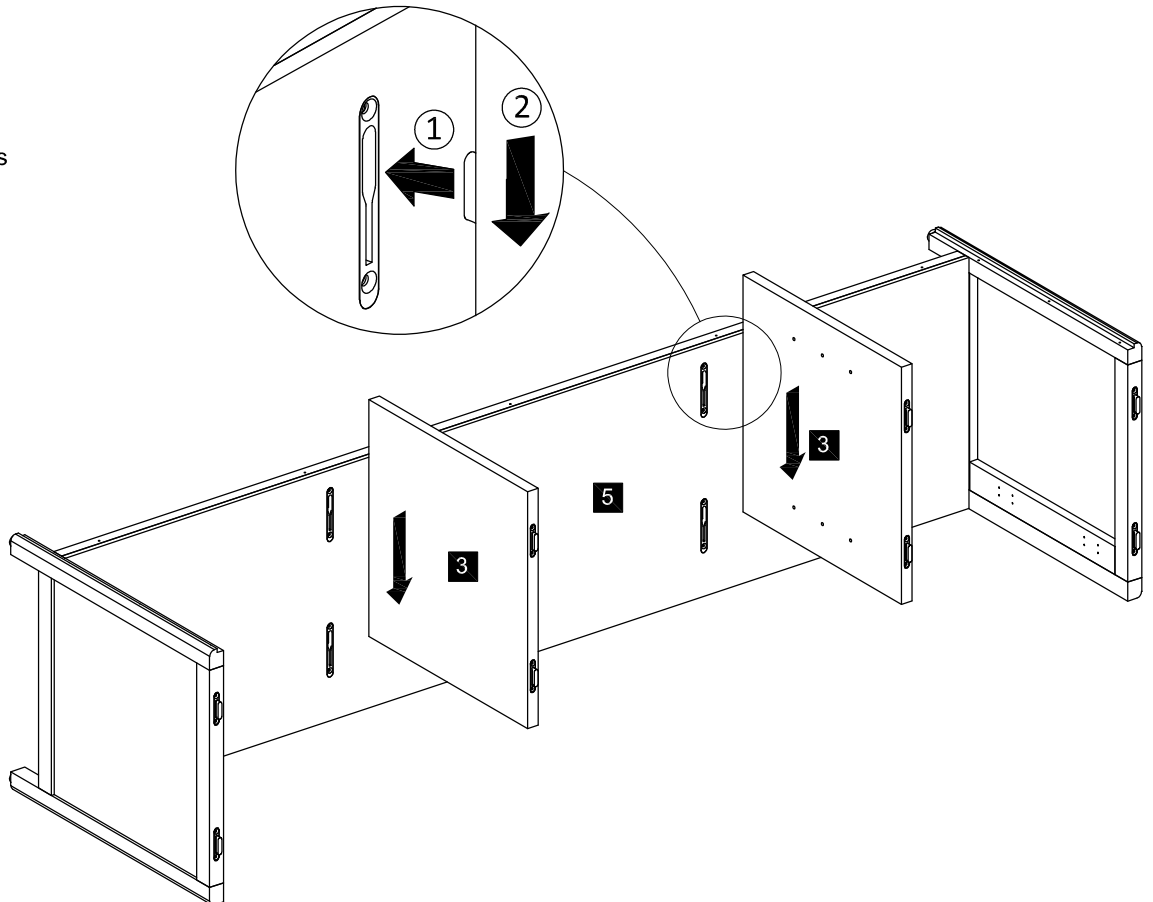
1 2 5



Step 2

Parts, fittings and tools

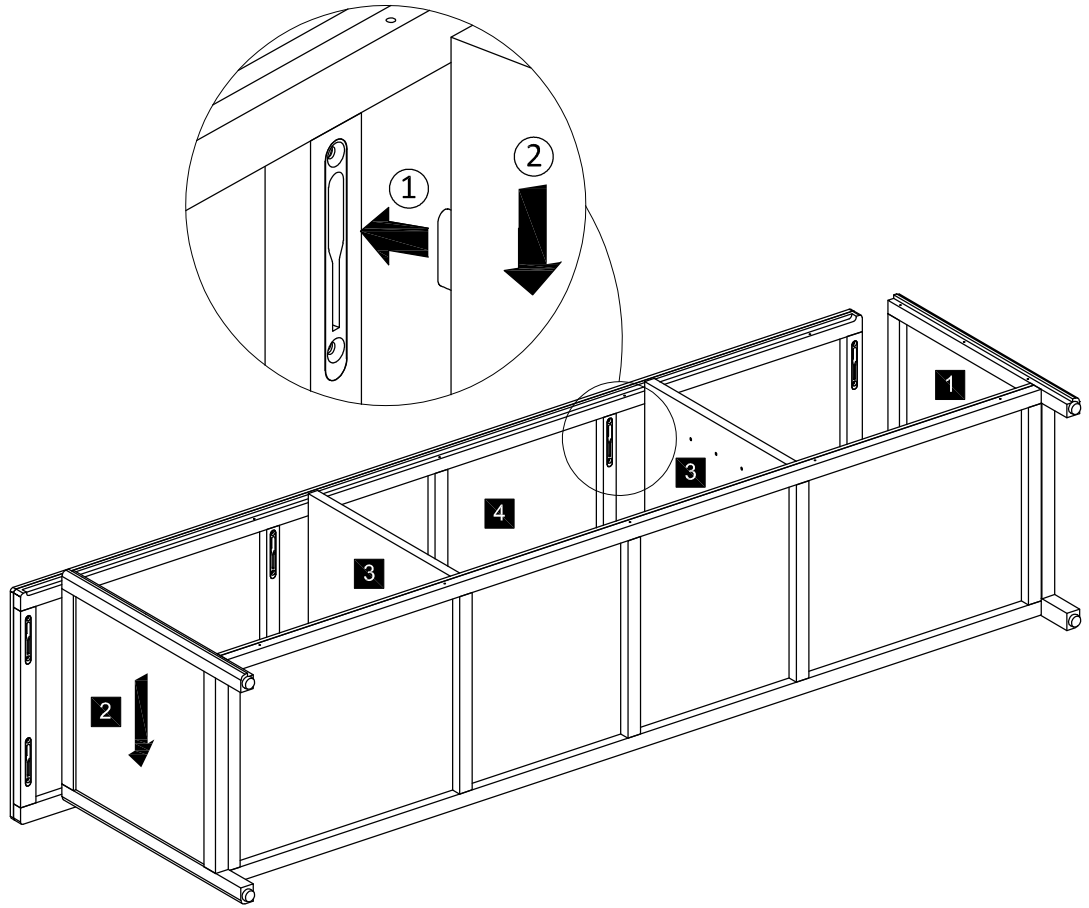
3 5



Step 3

Parts, fittings and tools

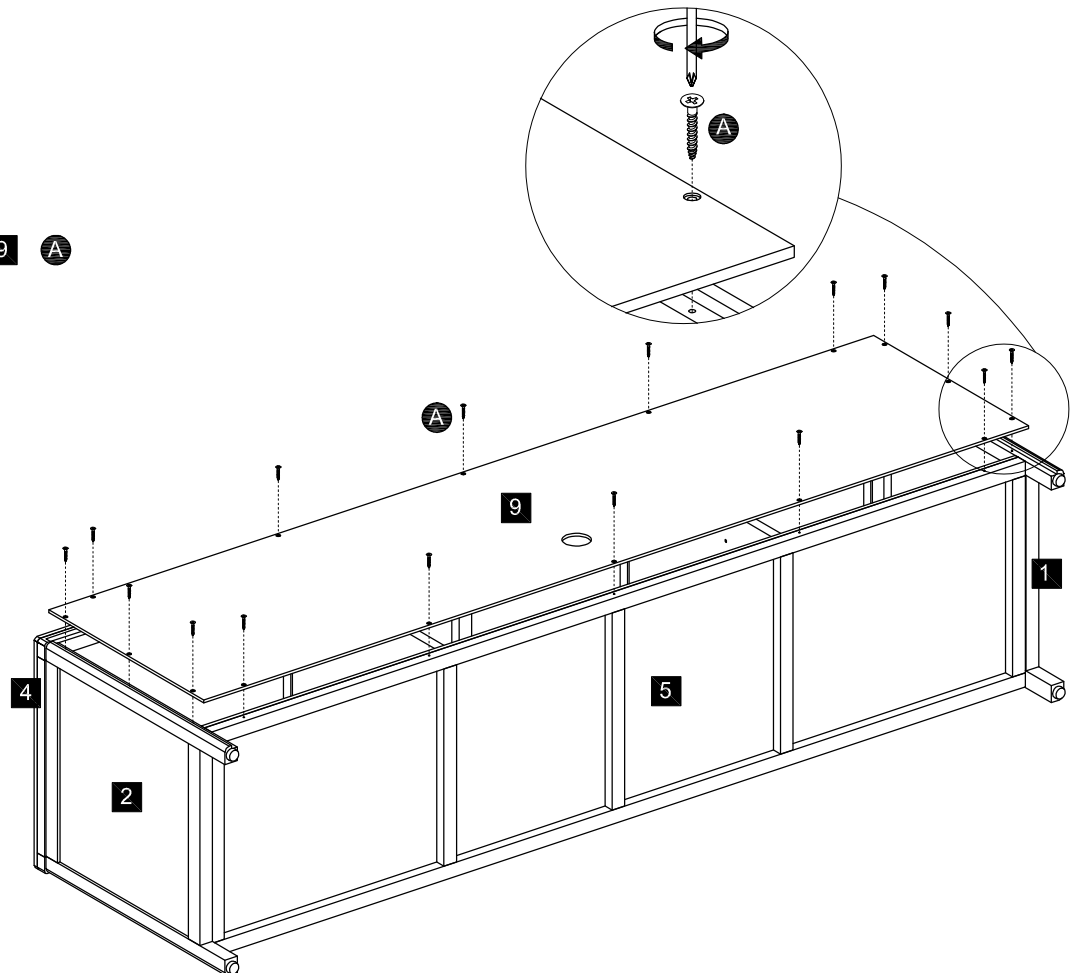
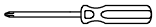
- 1
- 2
- 3
- 4



Step 4

Parts, fittings and tools

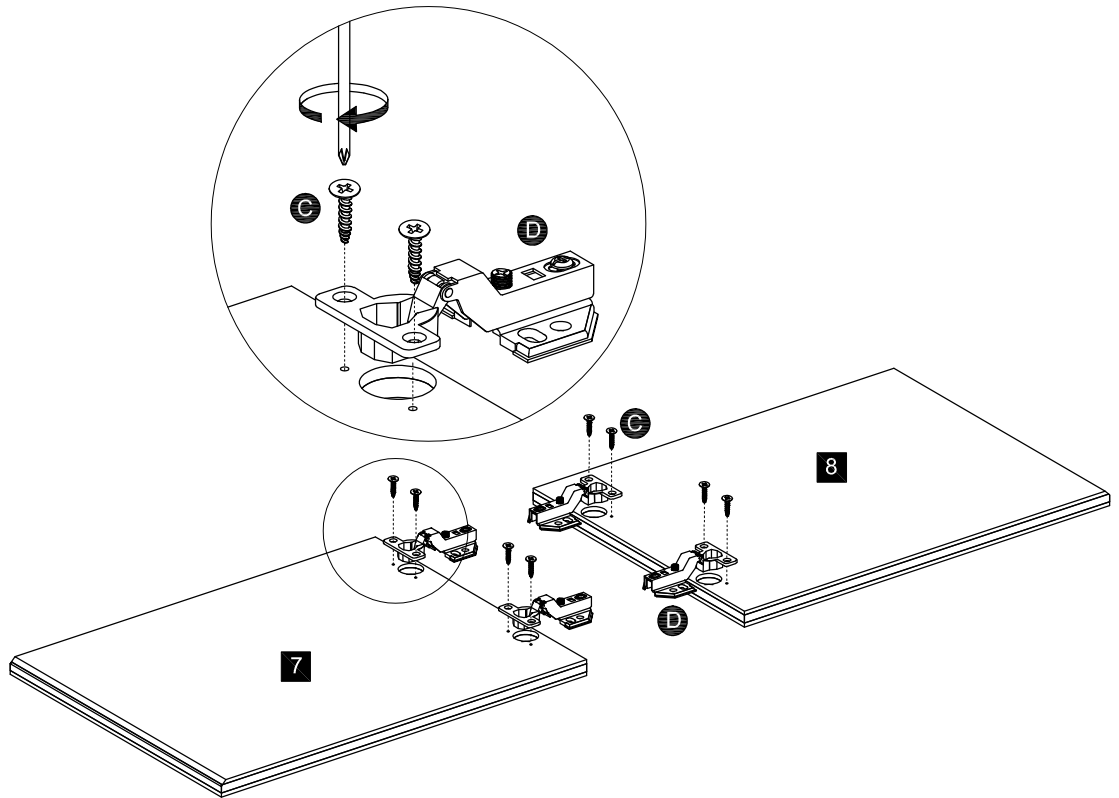
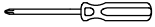
- 1
- 2
- 4
- 5
- 9
- A



Step 5

Parts, fittings and tools

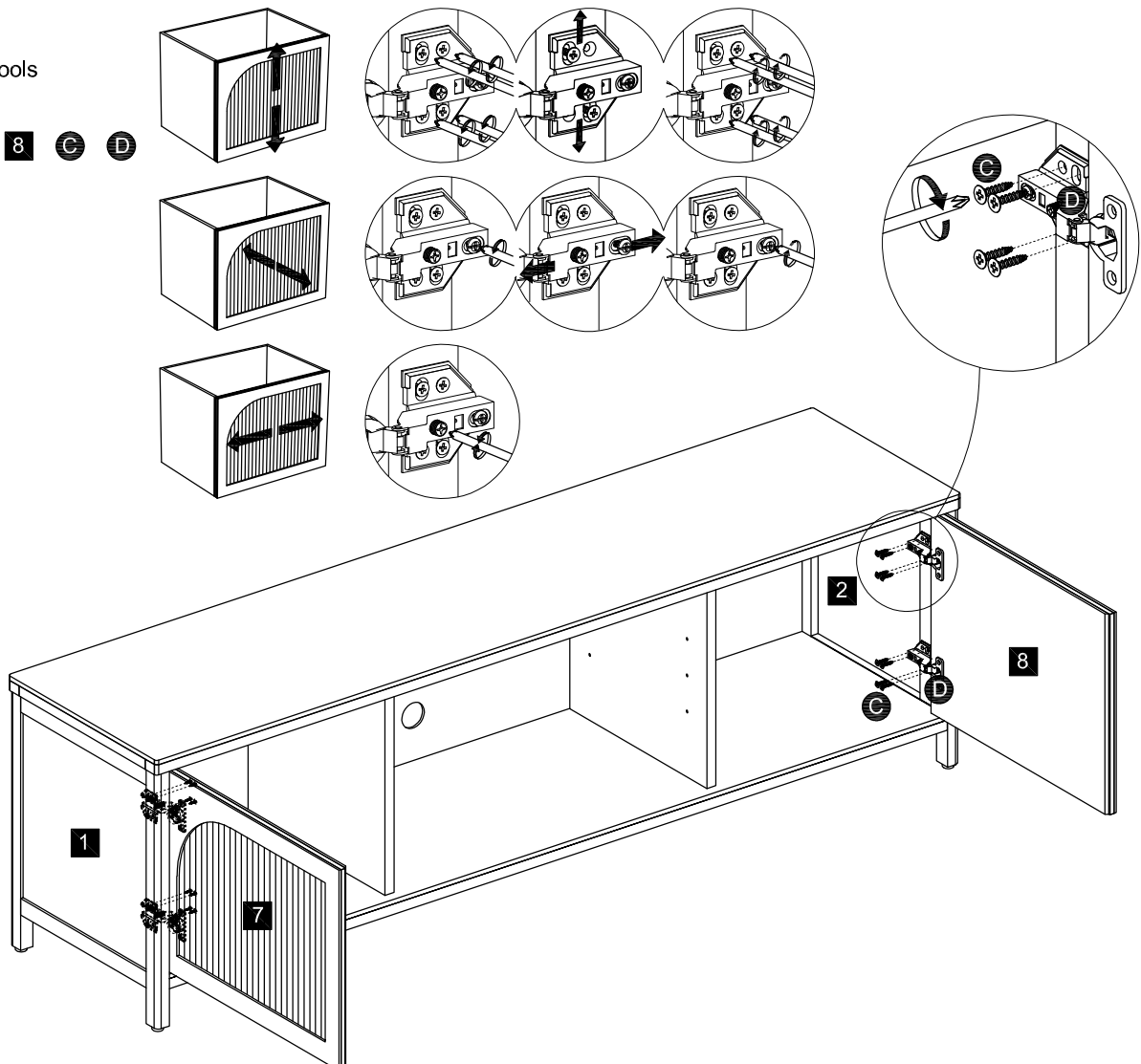
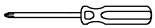
7 8 C D



Step 6

Parts, fittings and tools

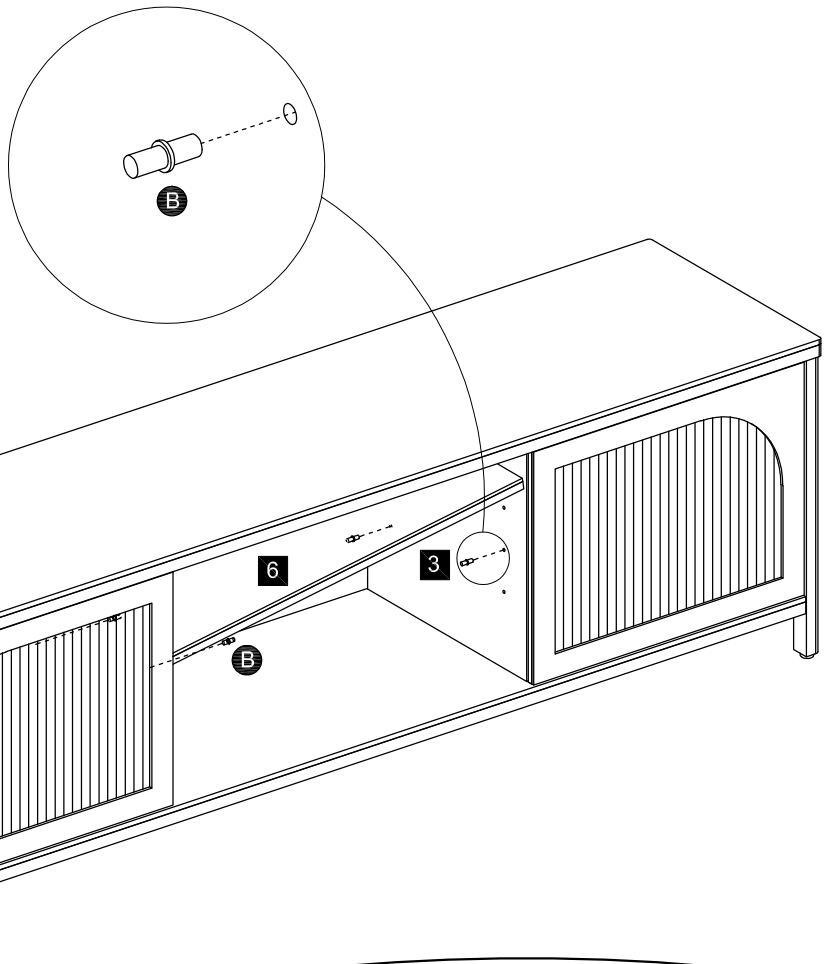
1 2 7 8 C D



Step 7

Parts, fittings and tools

3 6 B



Step 8

Parts, fittings and tools

Use adjustable leveler if necessary.

