



AmgoodSupply

Thank you for purchasing our product!

Issues with your order? Give us a chance to make things right.
Do not return this item back to the store. Contact our friendly customer service department with any problems, comments or concerns.
Replacements for missing or damaged parts are shipped within 1 business day.

Email: **Support@AmGoodSupply.com**

Please check out our other products

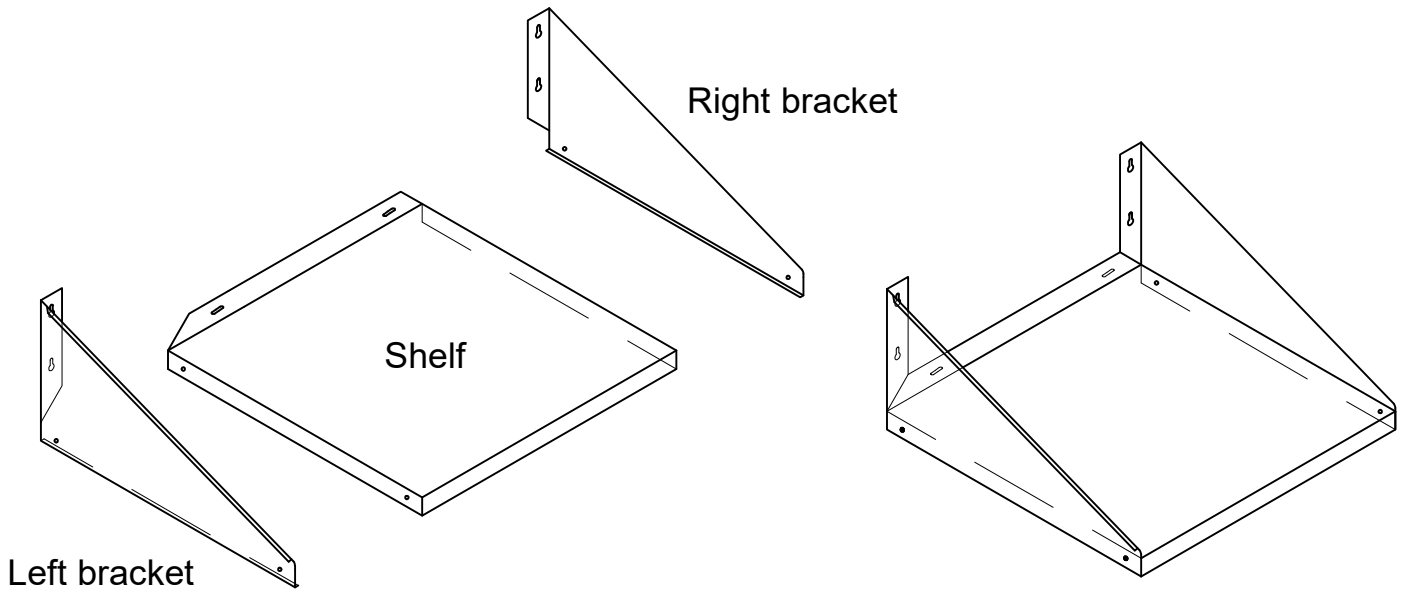
Stainless Steel Work Tables
Equipment Stands
Stainless Steel Shelves
Commercial & Utility Sinks
Bakery Racks
Hood Filters
Storage Shelving
Utility Carts
Dunnage Rack
Commercial Floor Strainers
Grease Traps

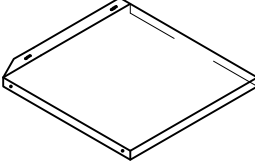
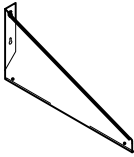
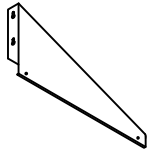
AmGood Supply is a leading manufacturer and distributor of stainless steel and metal products for commercial and residential applications.



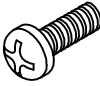

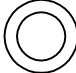

Our customers include homeowners, restaurants, retail and manufacturing businesses, non-profits, as well as state, local, and federal government agencies.

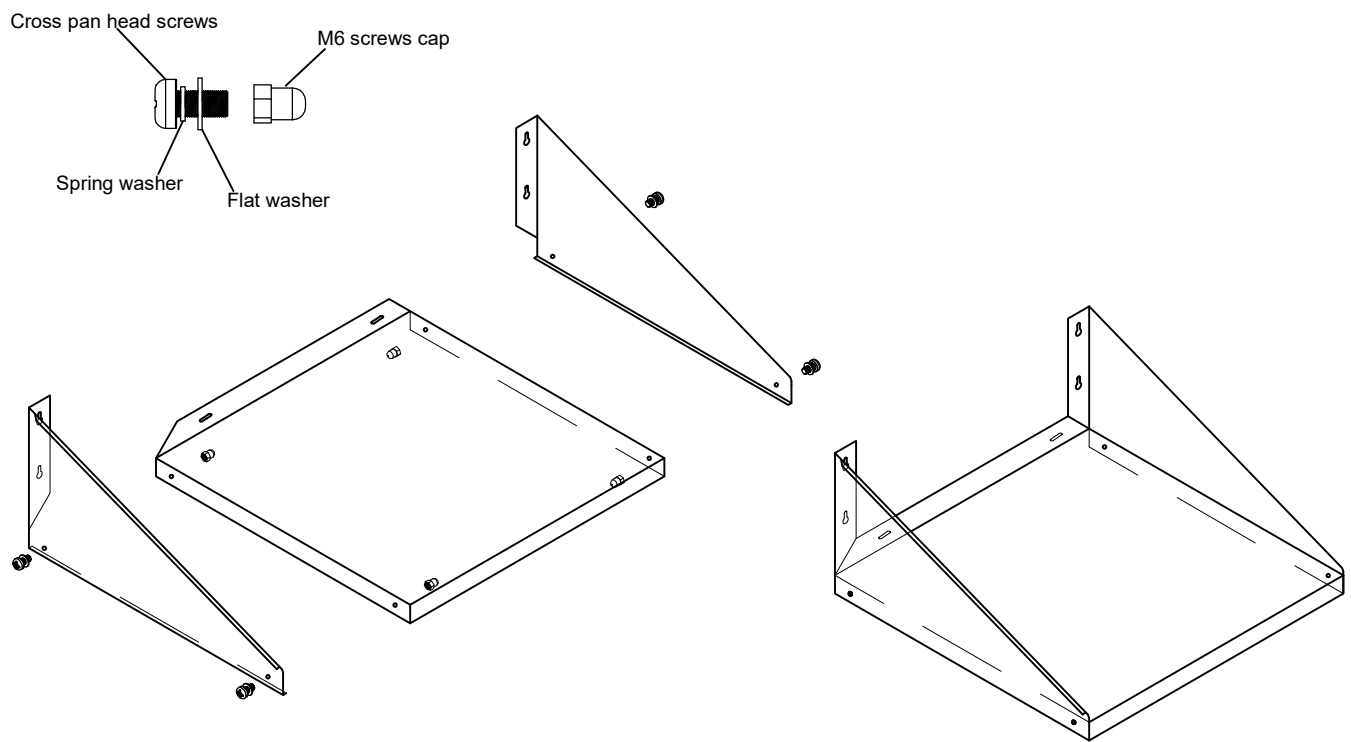
WWW.AMGOODSUPPLY.COM

Wall Mounted Microwave Shelf Assembly Instruction

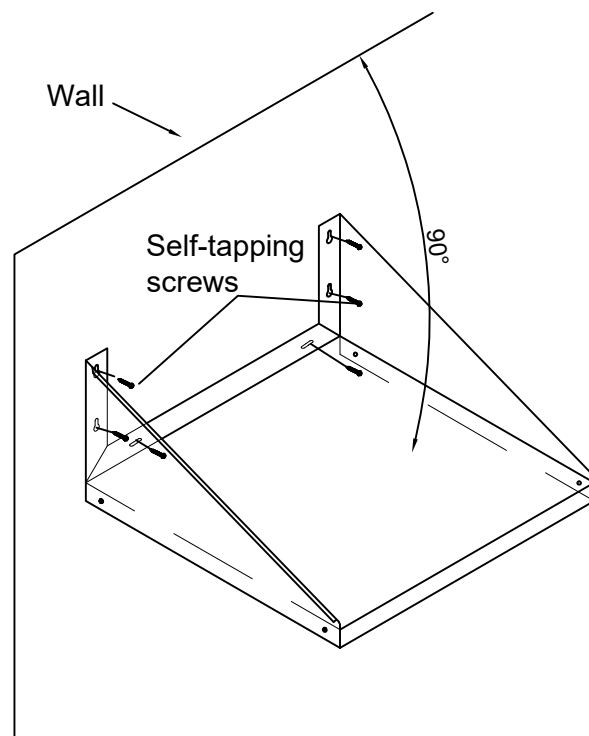


Main parts			
Number	Pattern	Part name	Quantity
1		Shelf	1
2		Left bracket	1
3		Right bracket	1

Accessories			
Number	Pattern	Part name	Quantity
①		OD φ8 plastic expansion	7
②		Self-tapping screws	7
③		Cross pan head screws	5
④		M6 screws cap	5
⑤		Flat washer	11
⑥		Spring washer	11



Fix the left and right brackets and shelves with cross pan screws and tighten the nuts (as shown in the picture above).



Lay the back of the brackets flat with the wall, mark the position where the holes ($\varnothing 8\text{mm}$) need to be drilled. Drill the holes on the marks with drill bit, knock the plastic expansion into the holes on the wall. Align the bracket holes with plastic expansion holes, screw in self-tapping screws