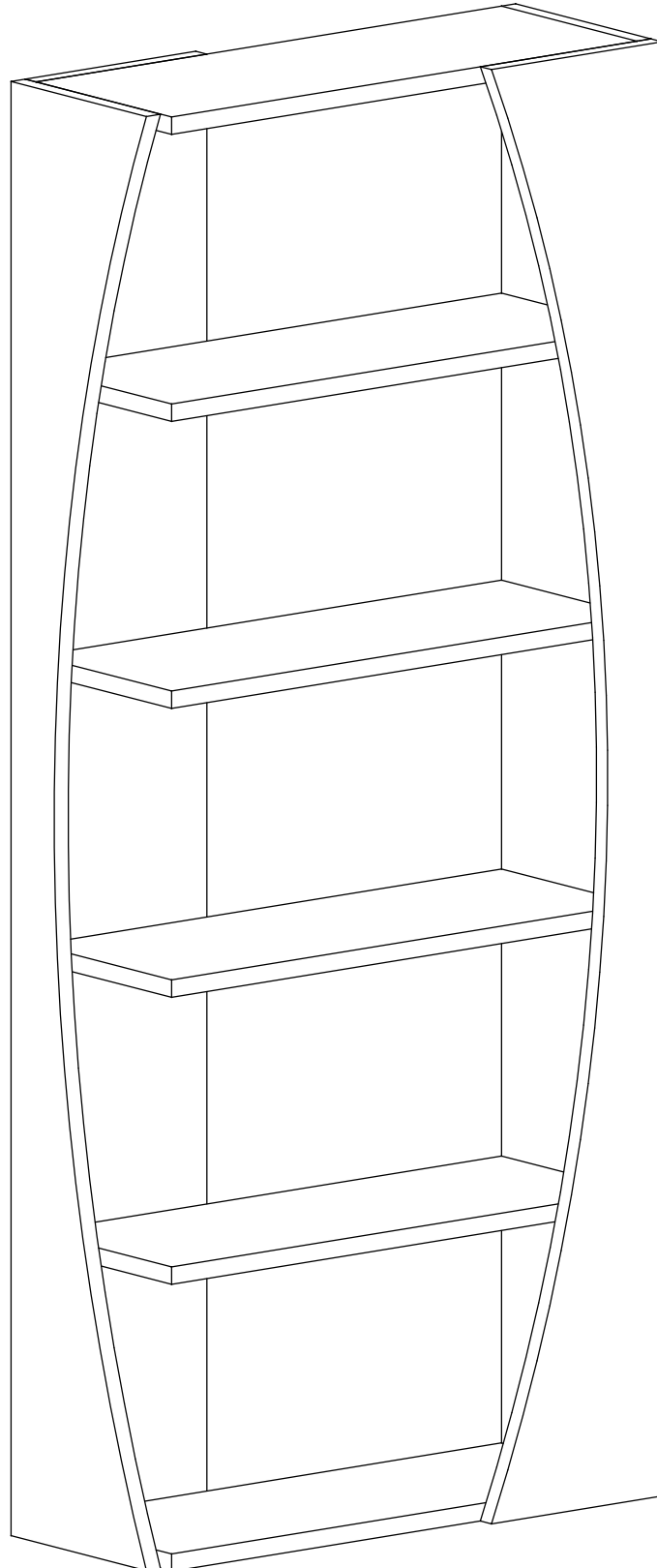
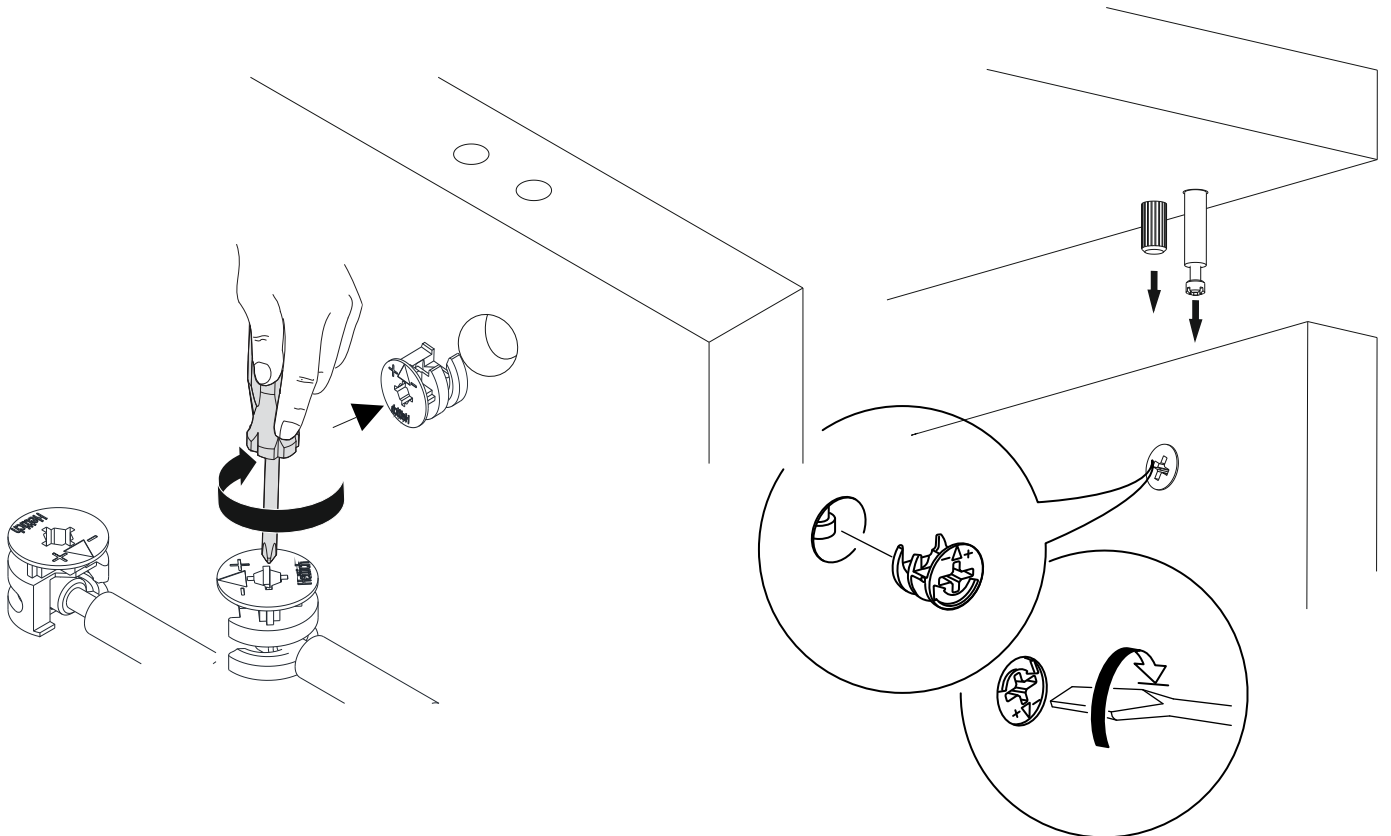
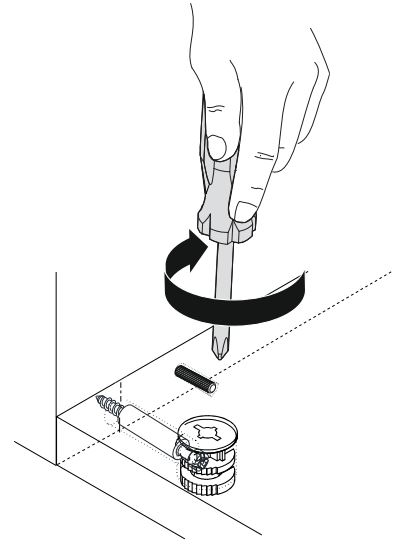
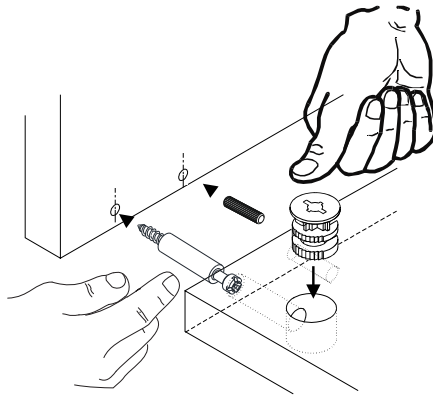
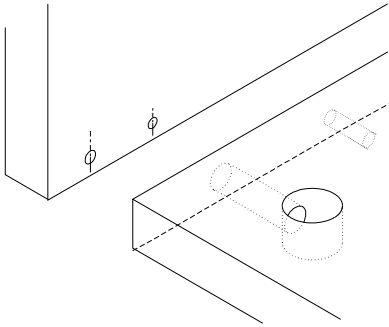
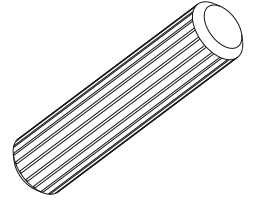
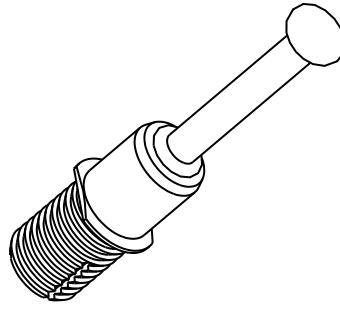
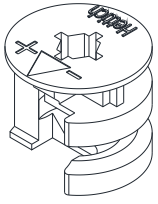


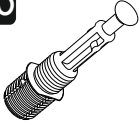

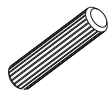
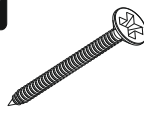



BOOKCASE

MONTAJ KLAUVUZU / ASSEMBLY MANUAL





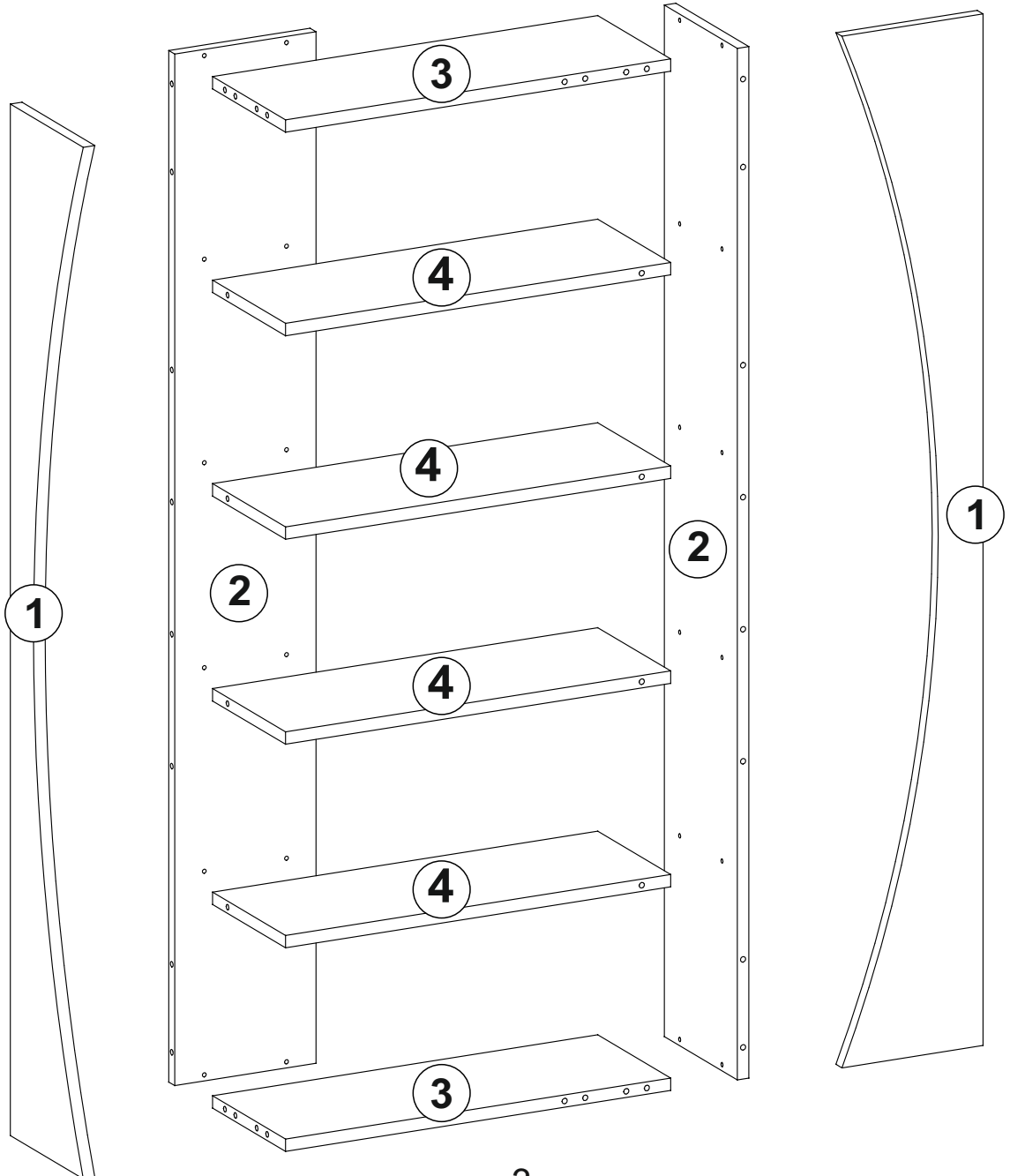
AKSESUAR LİSTESİ / ACCESSORY LIST

A23  16x	A22  16x	A04  24x	A17  4x50 24x	A10  14mm 2. COLOR 24x
A06  18 mm 1. COLOR 8x	A06  18 mm 2. COLOR 8x			

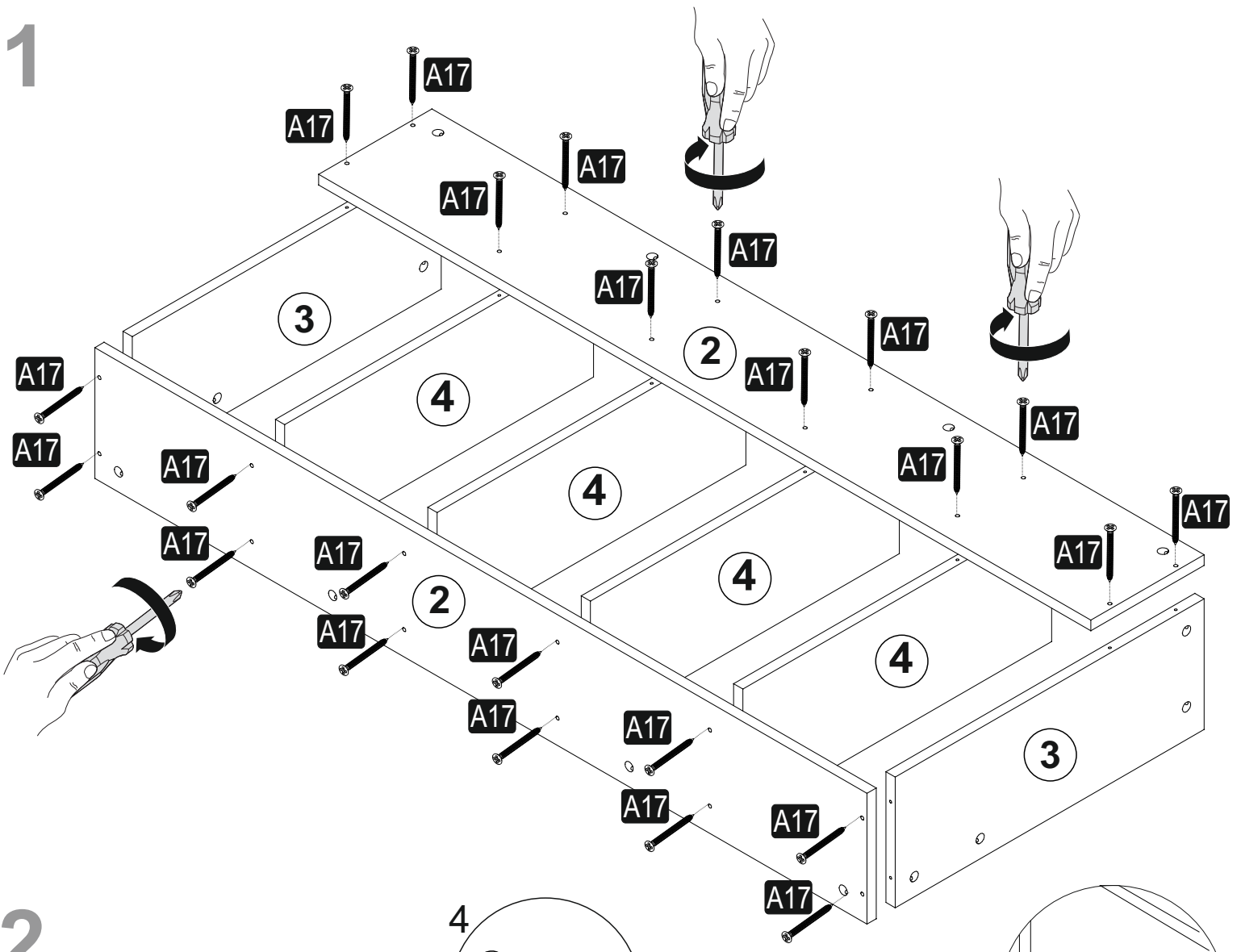
1. COLOR 2. COLOR

ATLANTIC - ANTHRACITE
ATLANTIC - WHITELIGHT
WALNUT- BEIGE
ALL WHITE

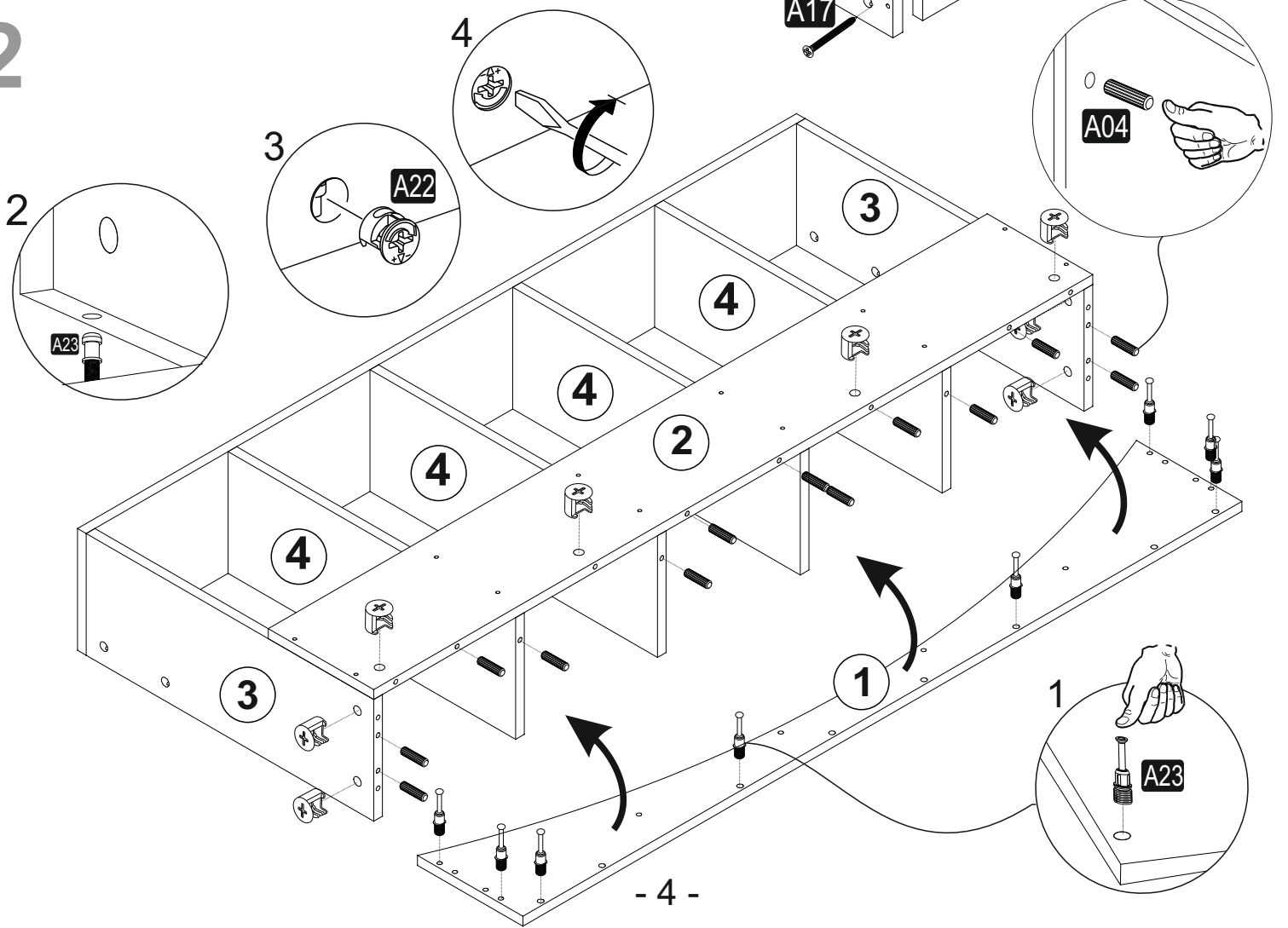
PARÇA KODLAMA / DISASSEMBLED VIEW



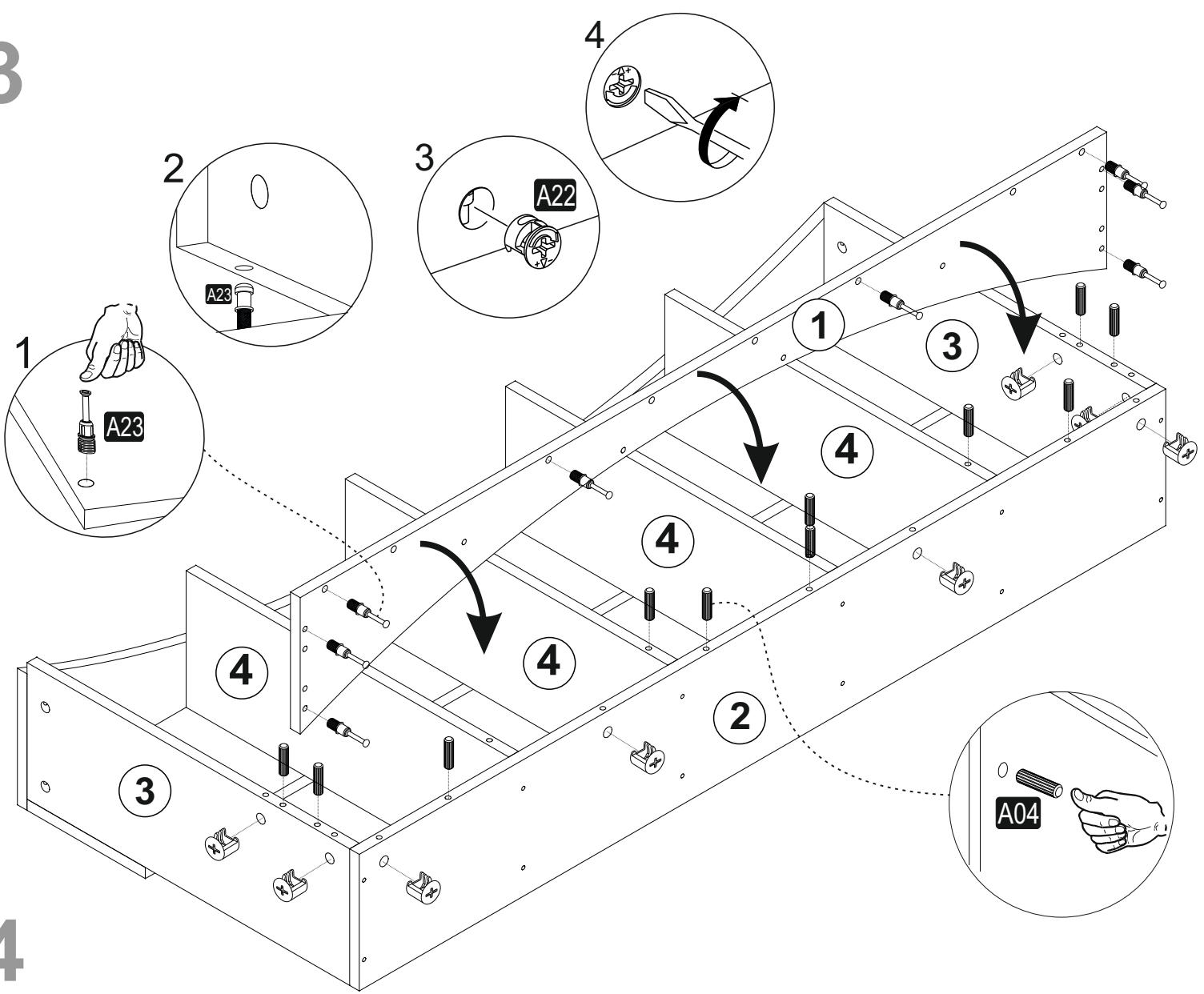
1



2



3



4

