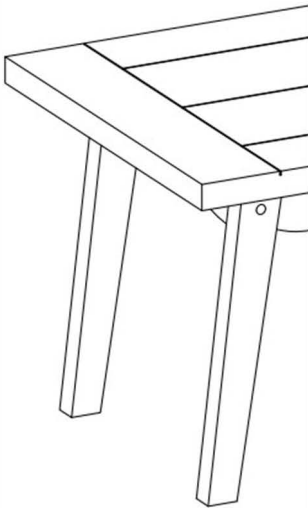


Owner Manual



WARRANTY

We strive to offer high quality product and we also try our best to satisfy each customer that order from us, no matter on products or services as needed. Each customer receives a record of their order, such as the order number or item receipt. For any items that are out of warranty period, you may still be able to purchase the replacement parts from our company if they are available.



MAINTENANCE AND WARNING

Please read the manual thoroughly before you start installing.

Please keep the product away from sharp object.

Packaging and small parts may have chocking hazard, please keep them away from children and pets.

Please clean the product according to each clean code, check the product description for more information.

Please keep the product away from fire.

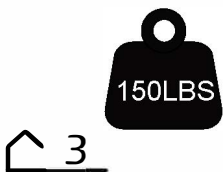
If you have any other questions, please contact us, we will be glad to help you out.

If the product is placed under direct sunlight, the pattern or color might fade away overtime.

Check the product periodically to make sure everything is secured and tightened.

Always use proper tools for installation.

Do not jump on the product.



Around 25 min

PRODUCT DESCRIPTION

Crafted from high quality solid wood for durability and strength.

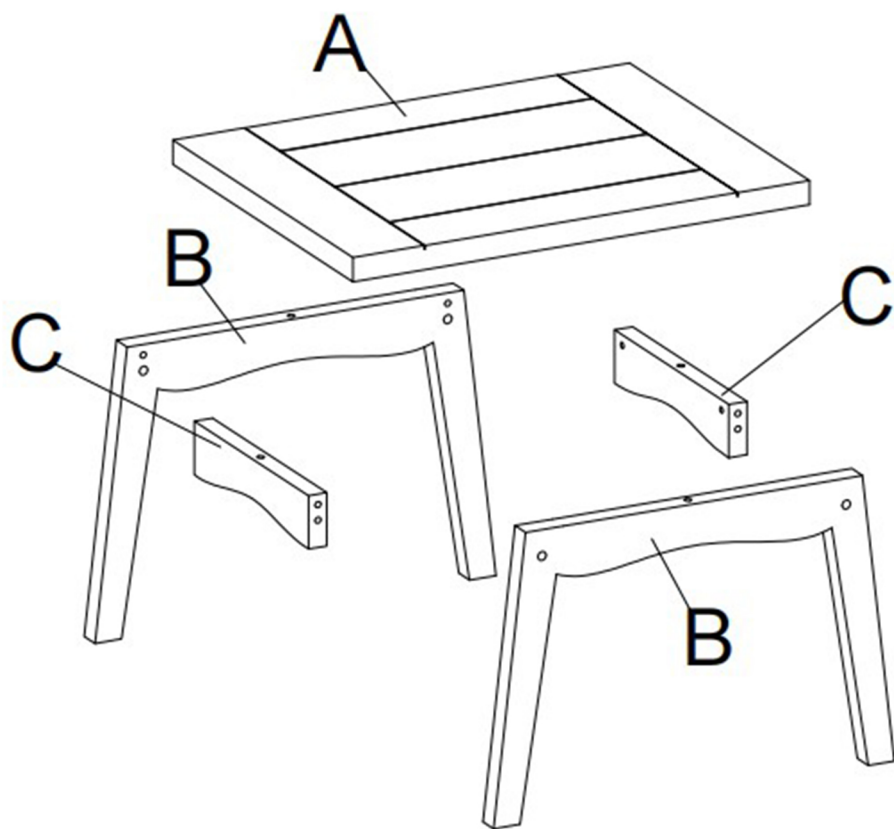
Weather resistant finish ensures the table lasts year round, rain or shine.

Perfect for placing drinks, snacks, or other essentials during outdoor relaxation.

Strong and reliable construction, built to withstand tough outdoor conditions.

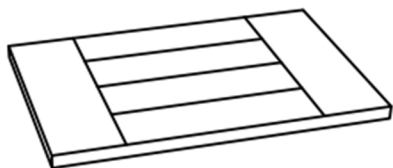
Adds both practical functionality and elegant style to your patio or outdoor space.

EXPLODED VIEW



PARTS

Ax1



Tabletop

Bx2

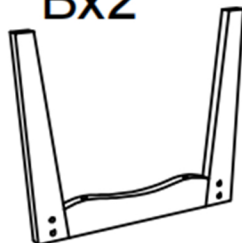


Table legs

Cx2



Side rails

HARDWARE

TOOL LIST

NOTE: Designated with (★) We provide additional spare parts in the hardware package

①x10



★ M6*45mm

③x1



Allen wrench

④x4



★ Nuts

⑤x4



★ Plastic caps

⑥x4

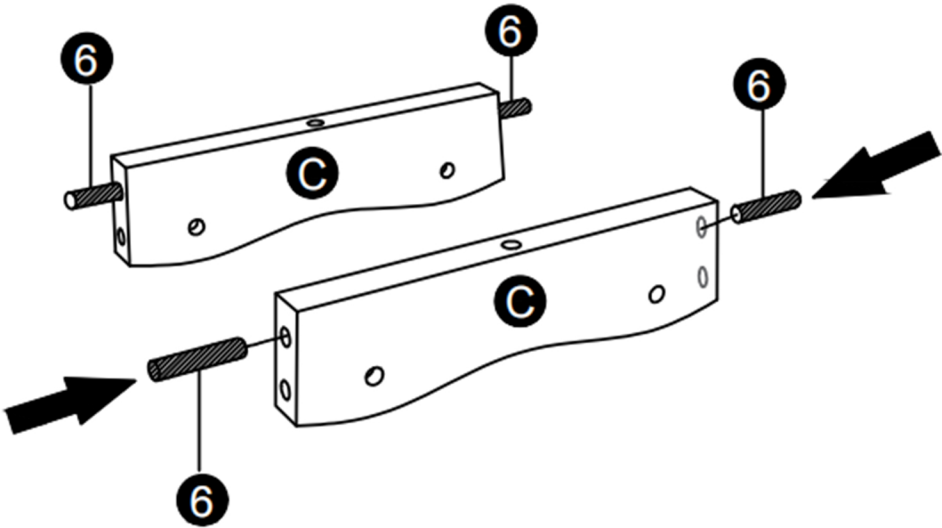


★ Wooden pegs

Please make sure all hardware&packing material fitting the list. Especially some small accessories may be missing during transportation. Please contact us if you have any question.

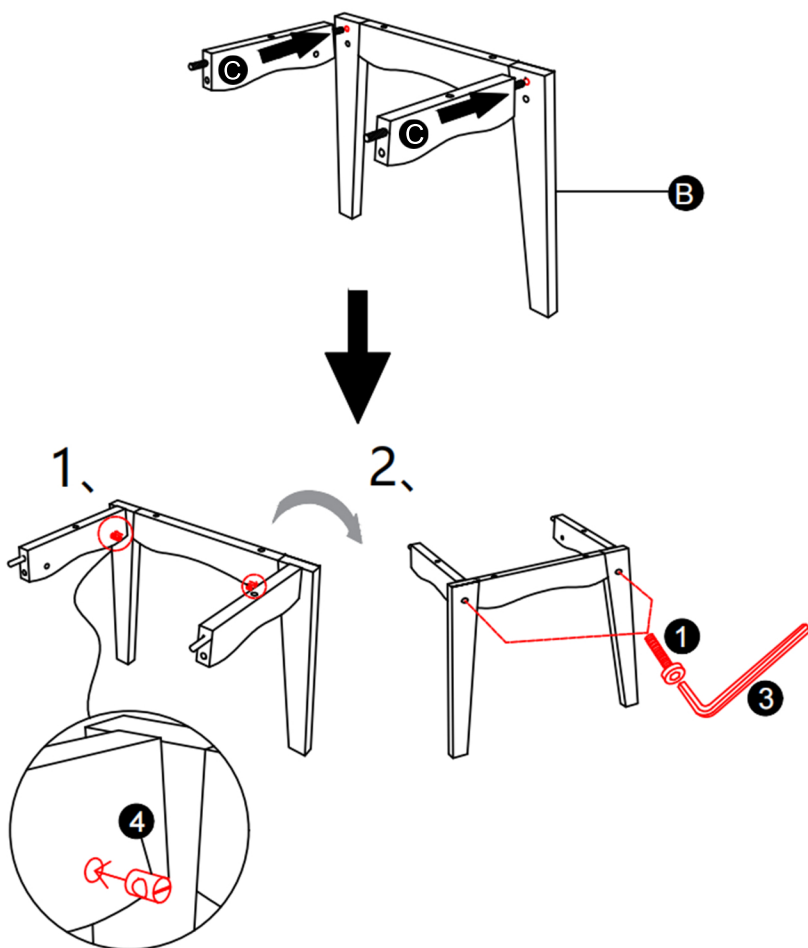
step 1

Insert the wooden pegs (6) into the side rails (C).



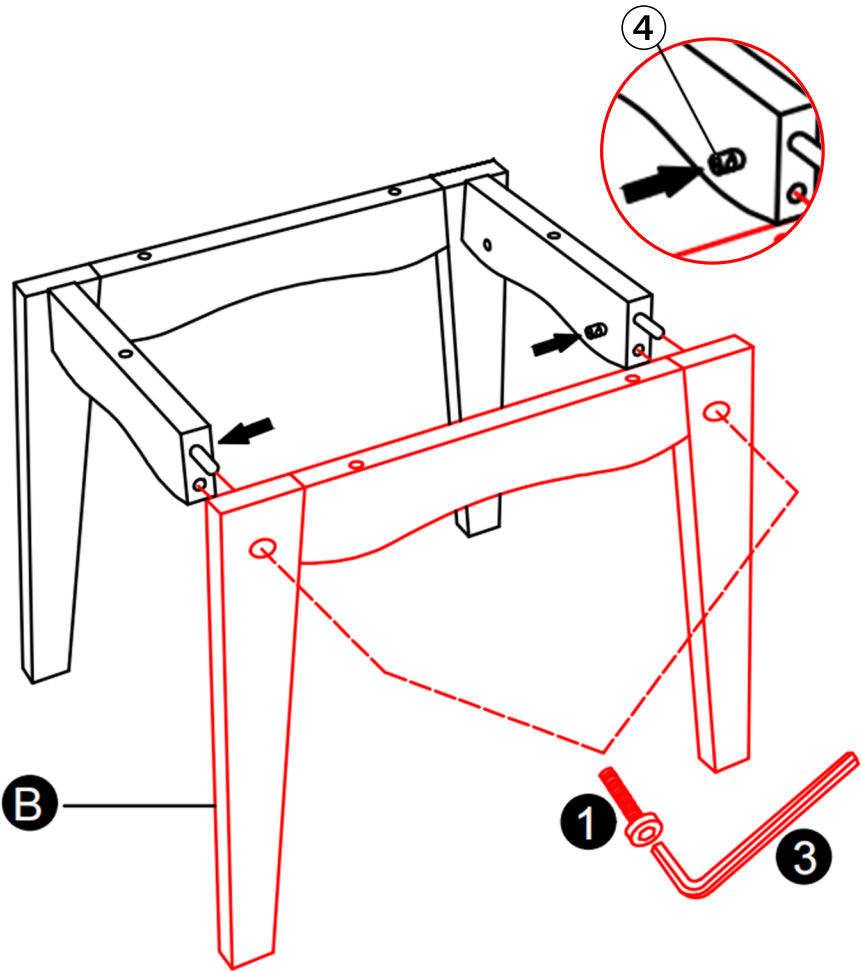
step 2

Connect the side rails(C) to the legs(B) by first inserting a wooden pegs into the leg. Insert a flat-head nut (4) into the hole. Tighten the screw (1) using an Allen wrench(3).



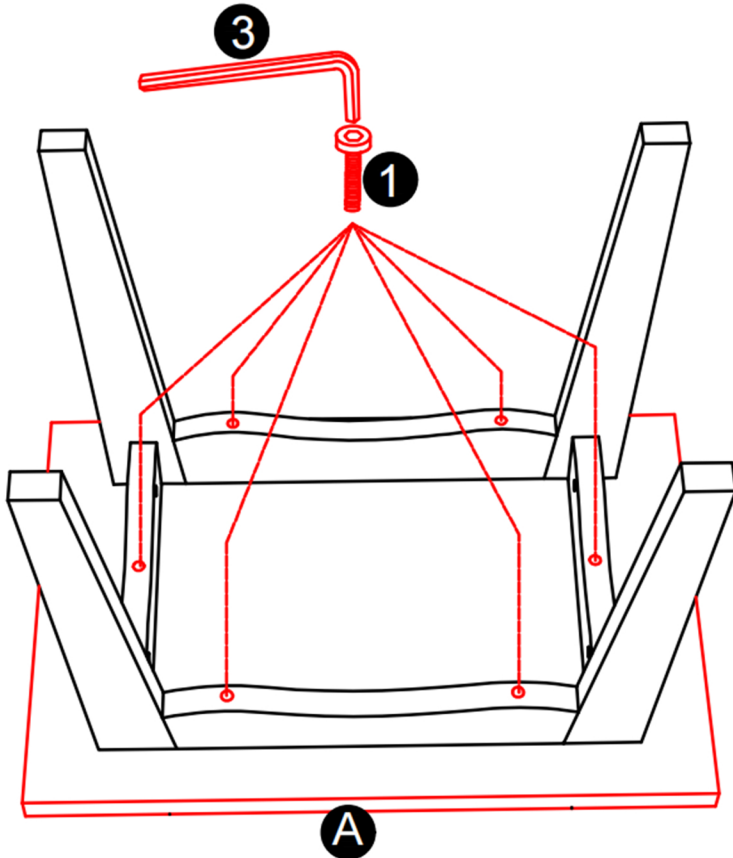
step 3

Insert the wooden peg into the other side of the leg. Insert a flat-head nut(4) into the hole. Connect the side rail to the leg and secure it by tightening the screw (1) with an Allen wrench(3).



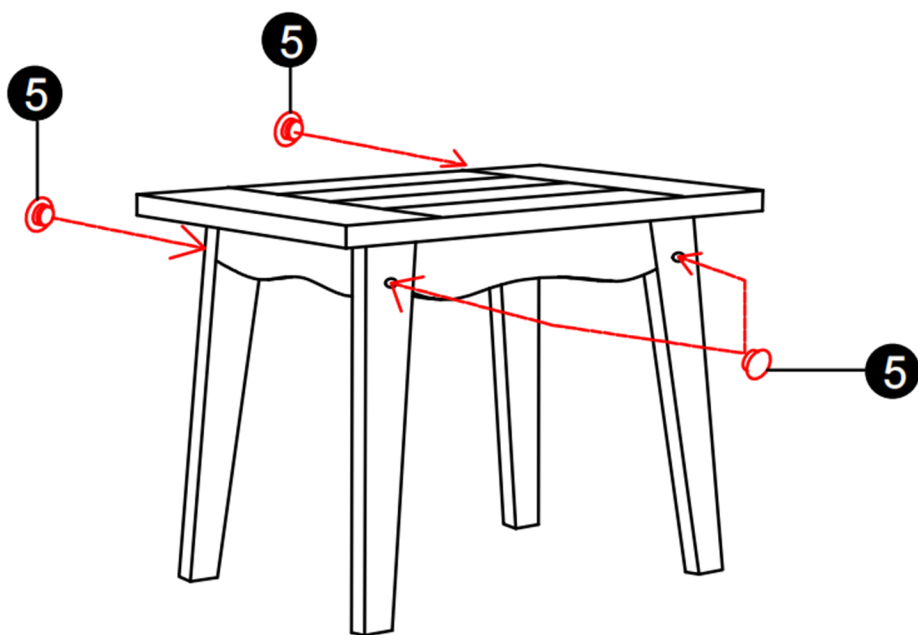
step 4

Use screws (1) and an Allen wrench(3) to assemble the lower section with the tabletop (A).



step 5

Cover the screw holes with plastic caps (5).



step 6

Assemble complete! Thank you for choosing our product!
Please enjoy!

