

Home Furniture



Thank you very much for your purchase.

We strive to provide the best service and reliable products for every one of our customers.

Many thanks and we look forward to you shopping with us again!



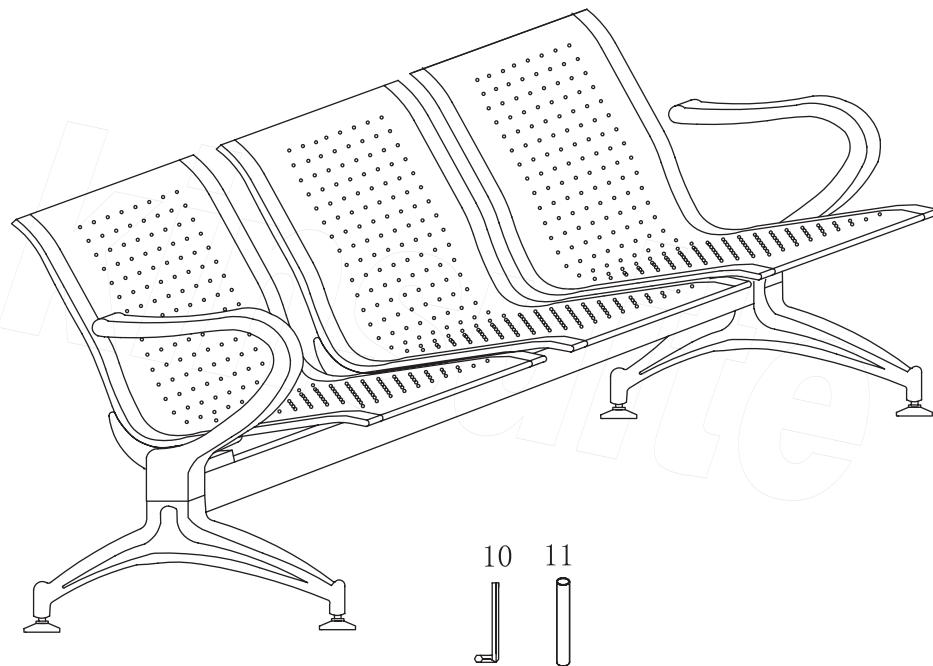
Feel free to contact us anytime with questions or comments at service@kinbor.com or call 909-600-1718.

IDOS321 / IDOS322 / IDOS324

Step 3

Our Kinsuite line has both a two-seater and three-seater style waiting bench. You are free to combine different styles what you want.

The product is suitable for places such as airports, hospitals, clinics, office lobbies, salons, etc.



◆ Attention ◆

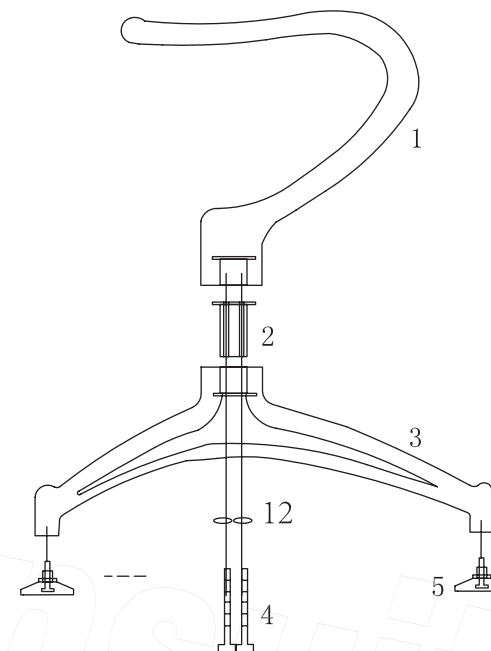
This Waiting Bench product is shipped in two individual cartons. Sometimes delivery will be made in two separate shipments. If only carton is received one, please be assured the second one is not far behind. If any concerns, please feel free to contact us.

Assembly is simple but will require at least two persons due to the relatively large size of the product. Two persons should be able to assemble this waiting bench quickly. A third person to help might speed in the assembly.

PARTS LIST

| NO. | DESCRIPTION | QUT |
|-----|-----------------------|-----|
| 1 | Armrest | 2 |
| 2 | Beam | 1 |
| 3 | Leg | 2 |
| 4 | M8X100 | 4 |
| 5 | Adjusts the foot | 4 |
| 6 | Back | 3 |
| 7 | Support | 6 |
| 8 | M8X8 | 24 |
| 9 | M8*14Screw | 12 |
| 10 | M6Hexagonal screw tap | 1 |
| 11 | Cannula | 1 |
| 12 | Meson | 4 |

Step 1



Step 2

