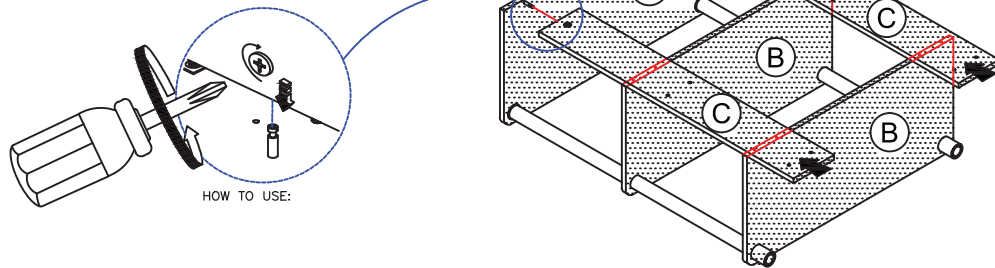


STEP 6

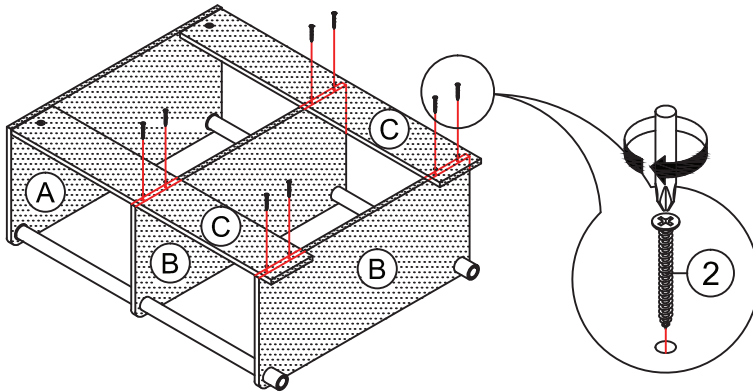
Attach Panel (C) to Panel (A) by tighten the Mini Fix Bolt & Cam (1A&1B).



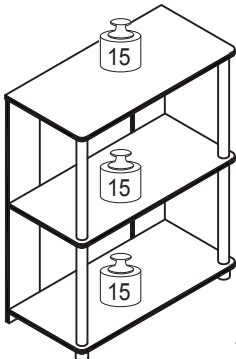
HOW TO USE:

STEP 7

Attach Panel (C) to Panel (B) using Screw (2) as shown.



Recommended Maximum Weight



*Unit in Pound(lbs)

WARNING:

>This unit has been designed to support the maximum loads shown. Exceeding these load limits could cause sagging, instability, product collapse, and/or serious injury.

>DO NOT allow children to climb on unit.

>Put heavier items on lower shelves.

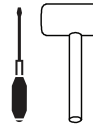
Assembly Instruction

00:30

Approx. 30 minutes

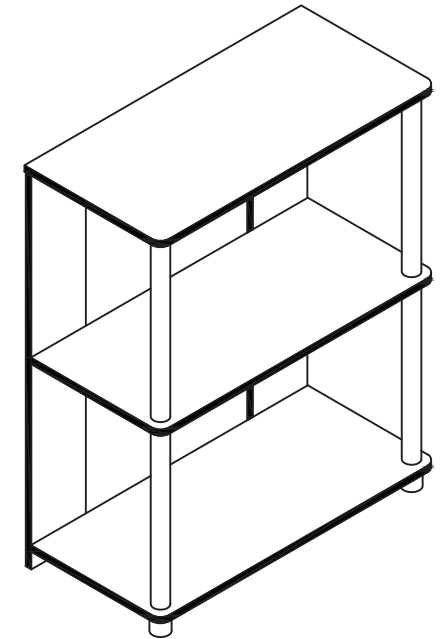








Recomm. 1 Person






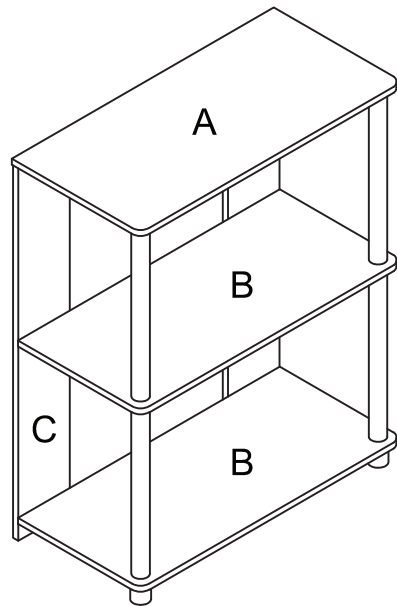
Tool Required

DIMENSION : 23.6"(W) x 29.8"(H) x 11.6"(D)



| No | Hardware List | Qty |
|----|---|-------|
| 1 | Mini Fix Bolt + Cam  1A 1B | 2sets |
| 2 | C/B Screw  | 8pcs |
| 3 | Nail Leg  | 2pcs |
| 4 | Insert Cap  | 2pcs |
| 5 | Round Leg  | 2pcs |
| 6 | Round Pole  | 4pcs |

| No | Parts List | Qty |
|----|---|------|
| A | Top Panel  | 1pc |
| B | Shelf Panel  | 2pcs |
| C | Back Panel  | 2pcs |

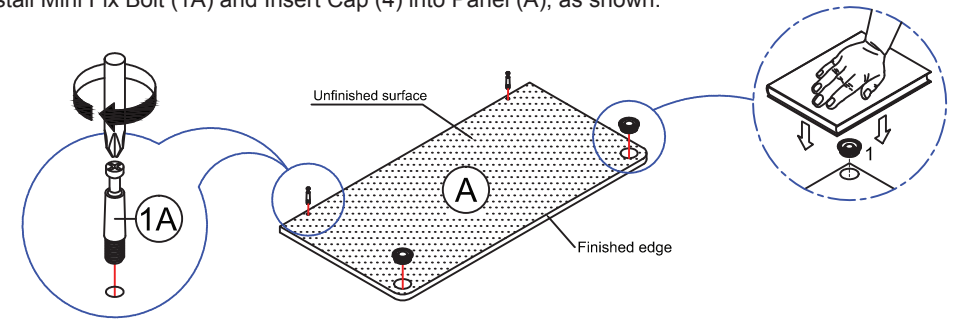


USEFUL HINTS BEFORE YOU START:

1. Read each step carefully before starting.
2. It is important that each step is performed in correct order to avoid difficulties.
3. Identify, sort and count the parts before assembly.
4. Assemble your furniture on packaging cardboard to prevent scratch or damage.
5. Clean the product with mild cleanser using soft damped cloth. Do not use harsh or abrasive cleanser.
6. Using incompatible hardware might cause damage to product.

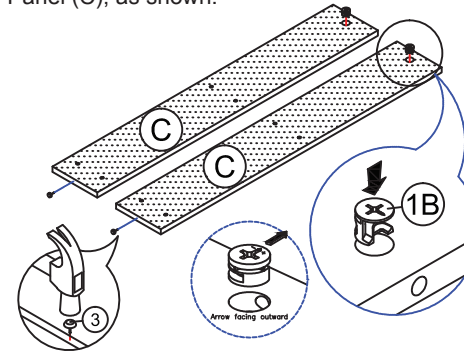
STEP 1

Install Mini Fix Bolt (1A) and Insert Cap (4) into Panel (A), as shown.



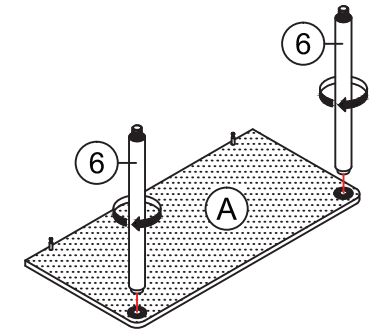
STEP 2

Install Mini Fix Cam (1B) and Nail Leg (3) into Panel (C), as shown.



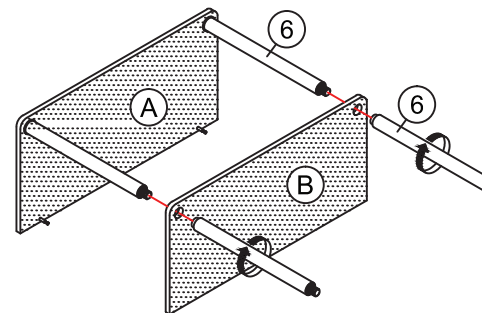
STEP 3

Attach Round Pole (6) to Insert Cap (4) and tighten it.



STEP 4

Attach Panel (B) between the Round Pole (6) and tighten it.



STEP 5

Attach another Panel (B) to the assembled unit and tighten with Round Leg (5).

