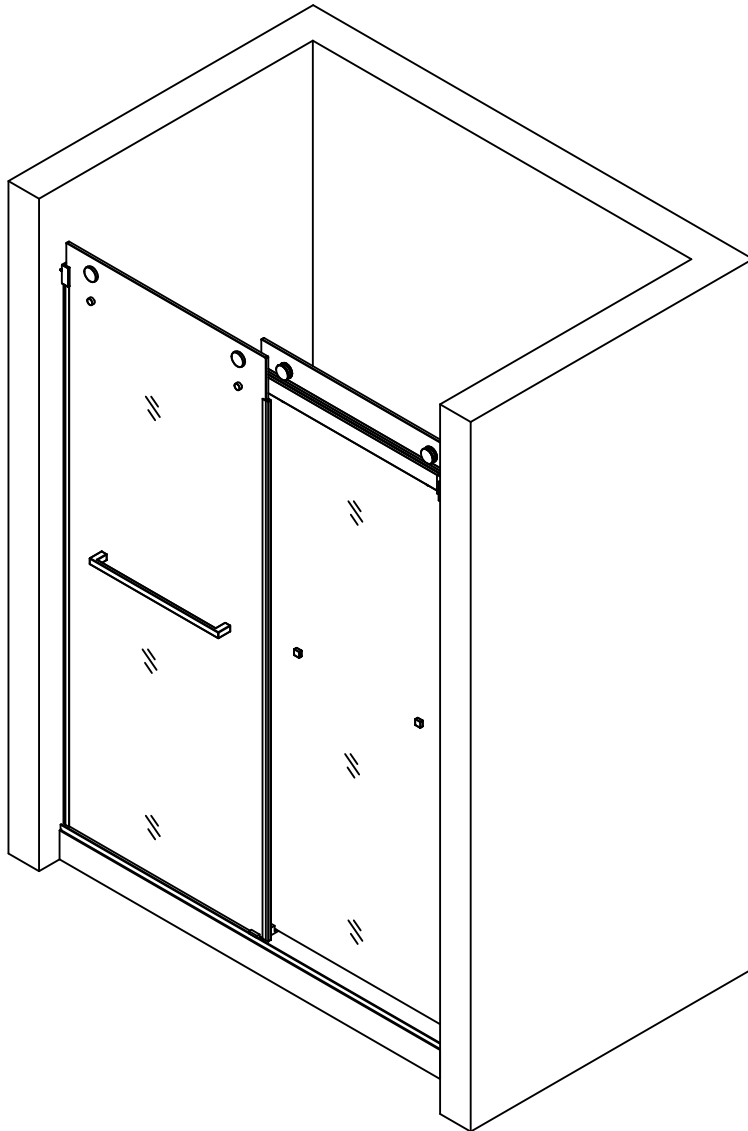


Shower Door Installation Guide

DS01



**Please do not return the product to the store;
contact us with any questions instead**

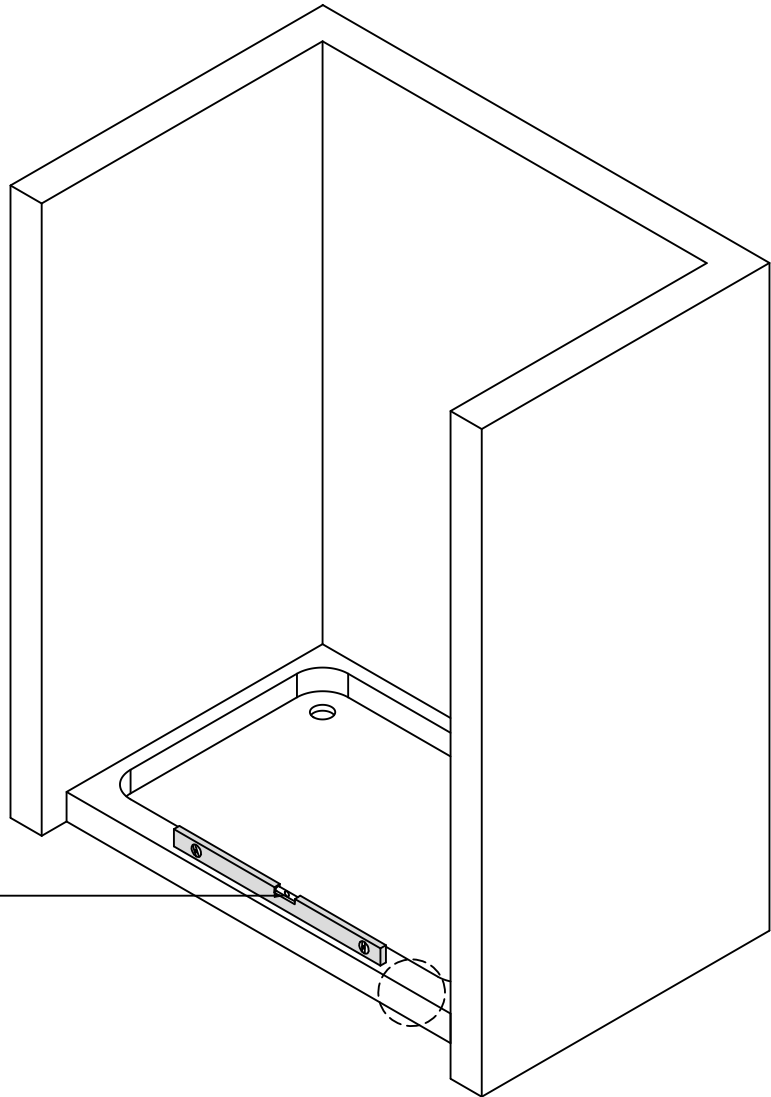
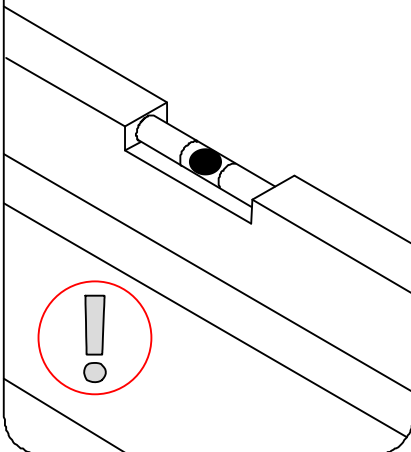
Model Specific Preparation



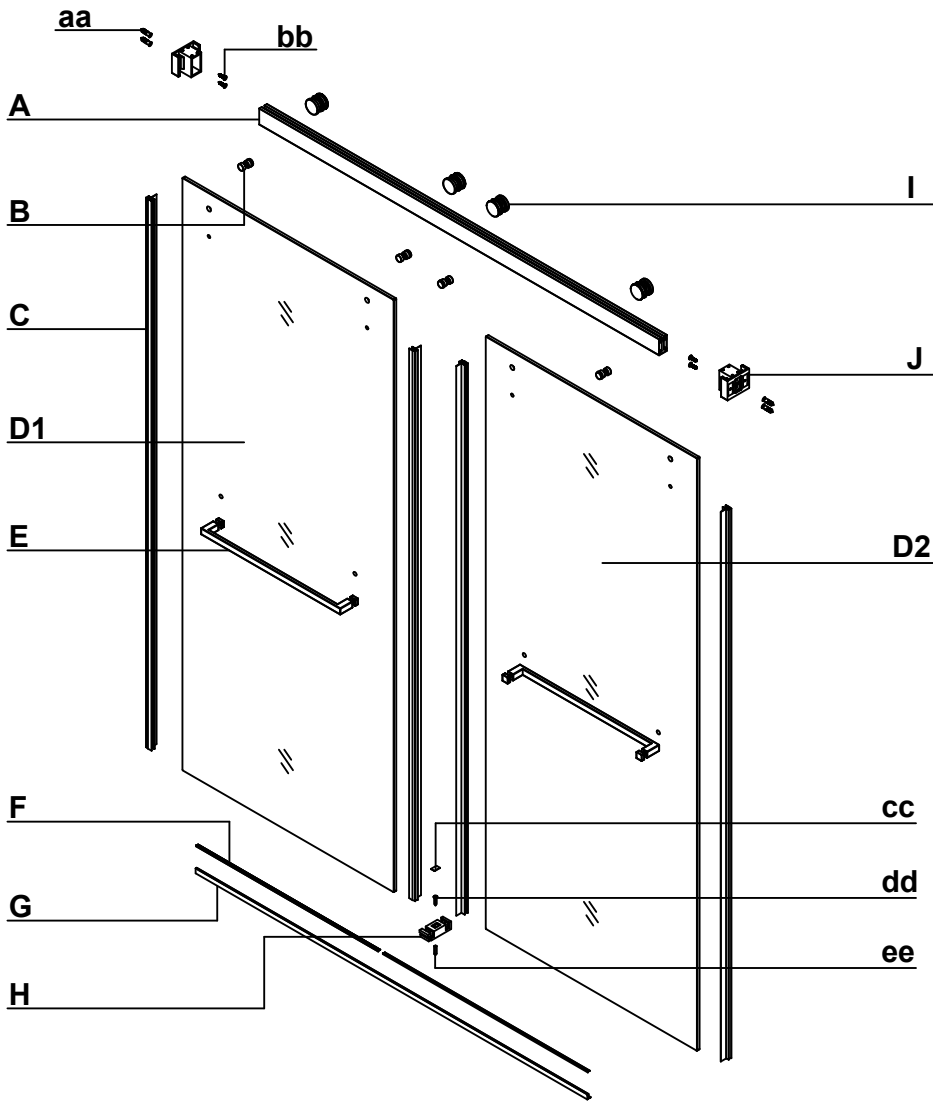
REQUIRED:

Verify that the threshold is level by using a straight edge or a level tool. Adjust the threshold as necessary to ensure it is perfectly horizontal

The threshold must be horizontal



PACKAGE CONTENT

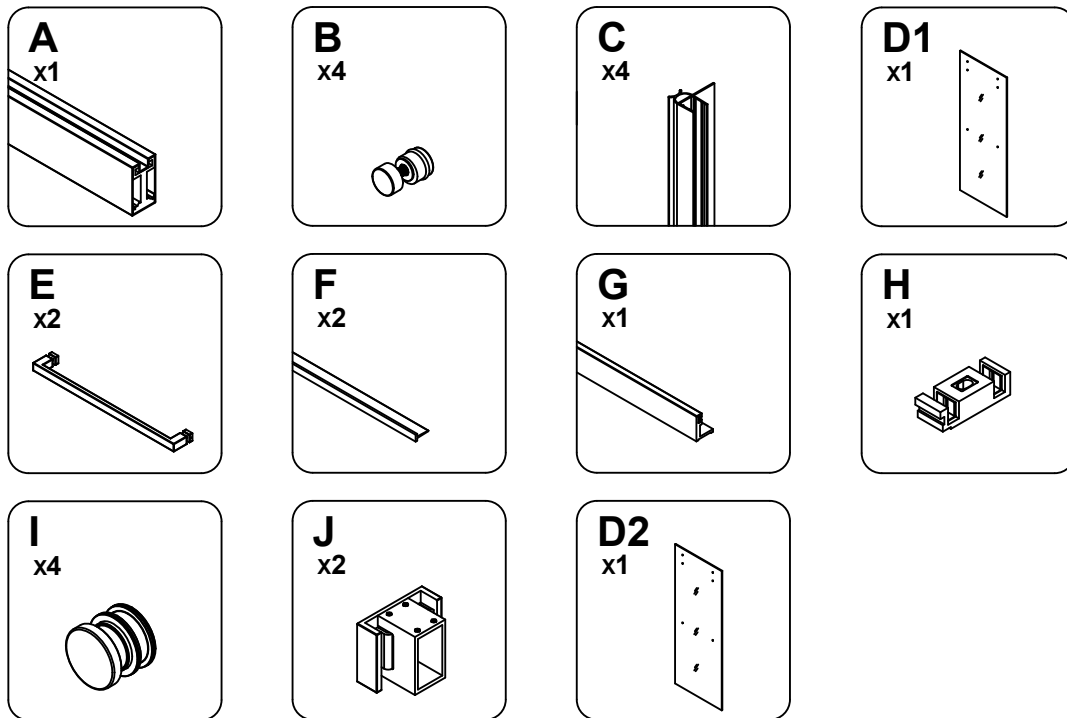


PACKAGE CONTENT

PART#	DESCRIPTION	QTY	PART#	DESCRIPTION	QTY
A	Top Guide Rail	1	G	Aluminum Threshold Water Dam	1
B	Anti-Jump Knob	4	H	Bottom Guide Bloc	1
C	F-type bulb Seal Strip	4	I	Rollers	4
D1	Outer Sliding Door	1	J	Anti Collision Rail Bracket Block Assembly	2
E	Handle	2	D2	Inner Sliding Door	1
F	Anti-splash Seal Strip	1			

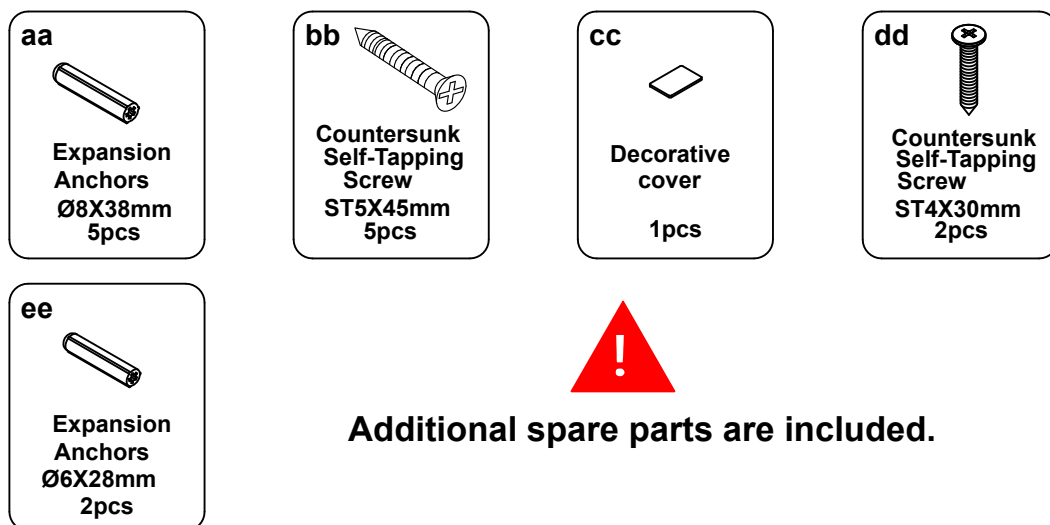
NOTE Please inspect all parts for any missing items before installation! If any part is missing, please contact us.

PACKAGE CONTENT



Parts (G) and (F) are pre-assembled together, see step 8 for details

HARDWARE CONTENT



NOTE

**Inspect all parts for any missing items prior to installation!
Contact us if any parts are missing.**


TOOLS REQUIRED

Drill Bits

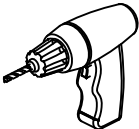


Ø1/4" & Ø5/16" (6 & 8mm) dia.
HSS

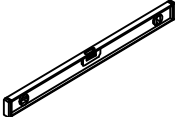
Screw Driver



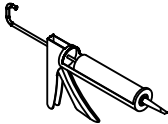
Drill




Level



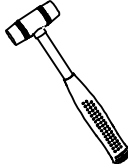
Silicone



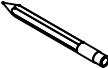
Measuring Tape



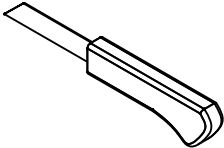
Soft Head Hammer



Pencil



Knife




Masonry Drill Bit For Tile
Ø6mm



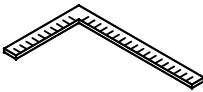
Safety Glasses



Gloves



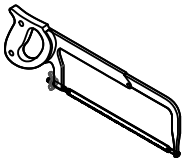
Carpenter's Squarer



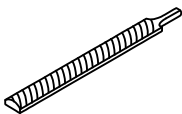
Masking or Painter's Tape



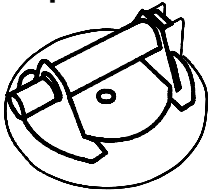
Hack Saw



Metal File



Glass suction Cup



SAFETY INFORMATION

CAUTION

Please carefully read the following important safety information before handling or installing this shower. There is a risk of serious injury while handling this product.

To minimize these risks, please note:

- Always wear safety glasses and gloves while handling.
- Always follow the installation instructions.
- Inspect glass for damage before installation.
- Extreme caution should be taken while handling the glass during installation, as the tempered glass may shatter if it comes into contact with a hard surface.
- Do not cut or modify the tempered glass, as it will shatter if cut.
- Carefully remove the product from its packaging and keep the packaging until installation is complete.
- Inspect all parts for damage or missing items. If there is any damage or missing parts prior to installation, please contact customer service at the number provided in this guide.
- Cover the drain with tape to prevent the loss of small parts.
- The shower base and finished walls should be installed before beginning the shower door installation.
- During installation, protect the shower floor with a drop cloth to avoid damage.
- This product should be installed by two people who are familiar with construction requirements. Professional installation is recommended!
- Keep this installation manual for future reference.

NOTE: Two people should perform this installation.



1 Install **Anti-Collision Rail Bracket Block Assembly(J)**

NOTE

1. Mark positions at Height A (refer to table below), then Height B above A, 1 13/16" (46mm) from the edge.
2. Drill Ø8mm holes at marks.
3. Tap **Expansion Anchors (aa)** into walls using a soft head hammer.
4. Secure left/right **Anti-Collision Rail Bracket Block Assembly(J)** to the wall with **ST5×45mm countersunk self-tapping screws (bb)**.

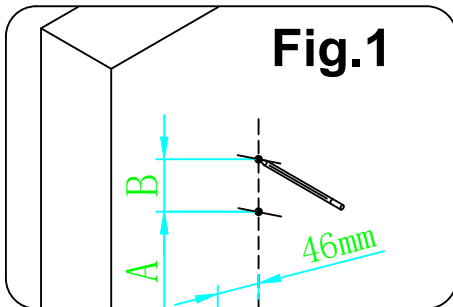


Fig.1

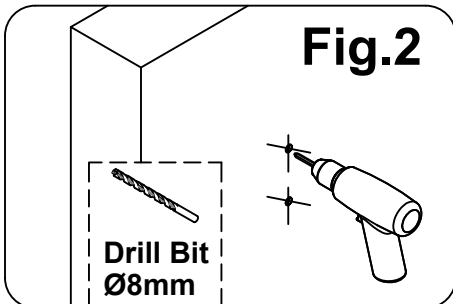


Fig.2

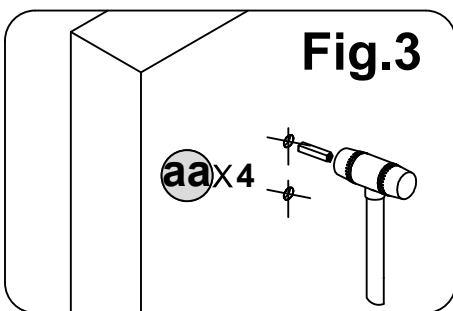


Fig.3

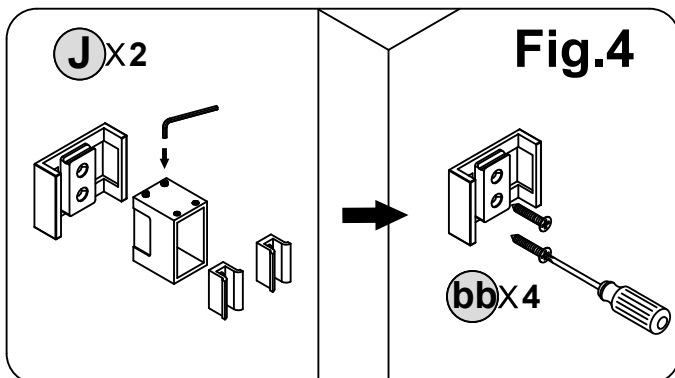
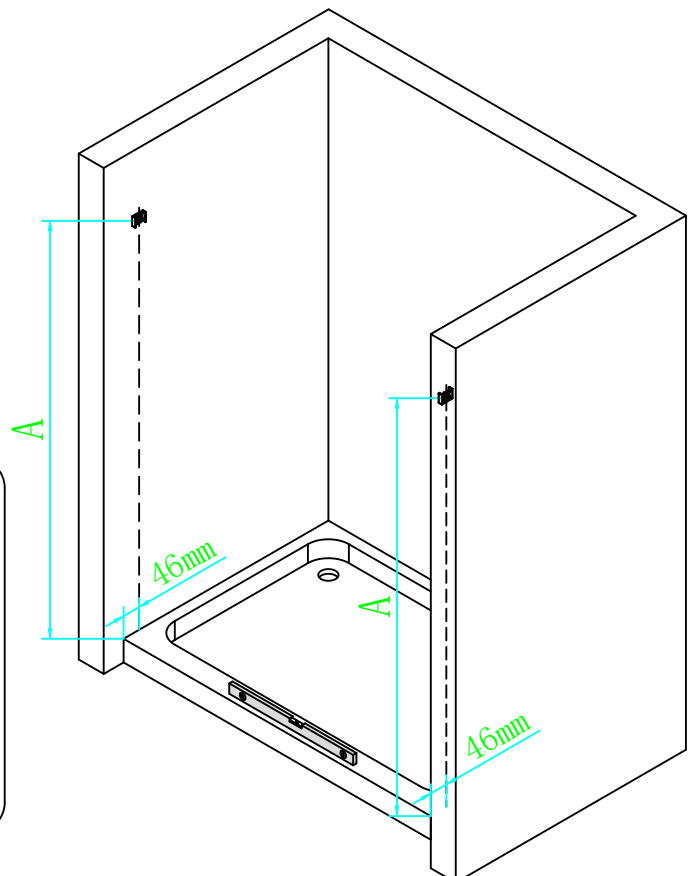


Fig.4

Product Height	A	B
60"(1524mm)	56 13/16"(1443mm)	29/32"(23mm)
66"(1676mm)	62 13/16"(1595mm)	
72"(1828mm)	68 13/16"(1747mm)	
75"(1905mm)	71 13/16"(1824mm)	
76"(1930mm)	72 13/16"(1849mm)	
78"(1981mm)	74 13/16"(1900mm)	
79"(2006mm)	75 13/16"(1925mm)	

*A=product height-3 3/16"(81mm)

*Without the size, please contact the local dealer.



2 Prepare **Top Guide Rail (A)**

NOTE

1. Measure and cut excess length from the **Top Guide Rail (A)**.
2. Loosen set screws on **Rail Bracket Blocks (J)** with a hex key, then slide **Rail Bracket Blocks (J)** onto the **Top Guide Rail (A)**.

Fig.1

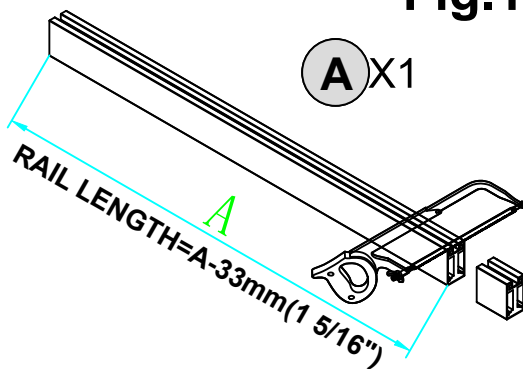
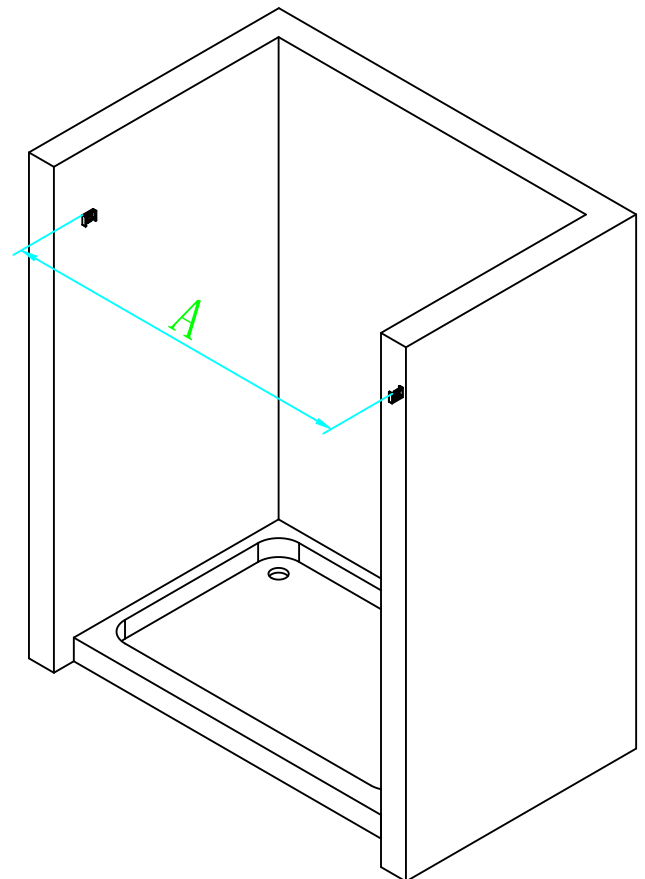
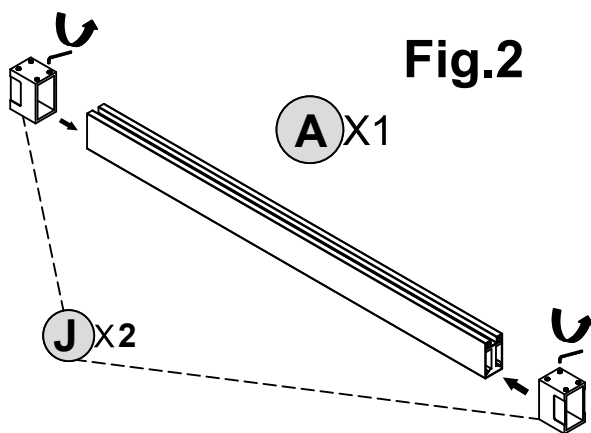


Fig.2



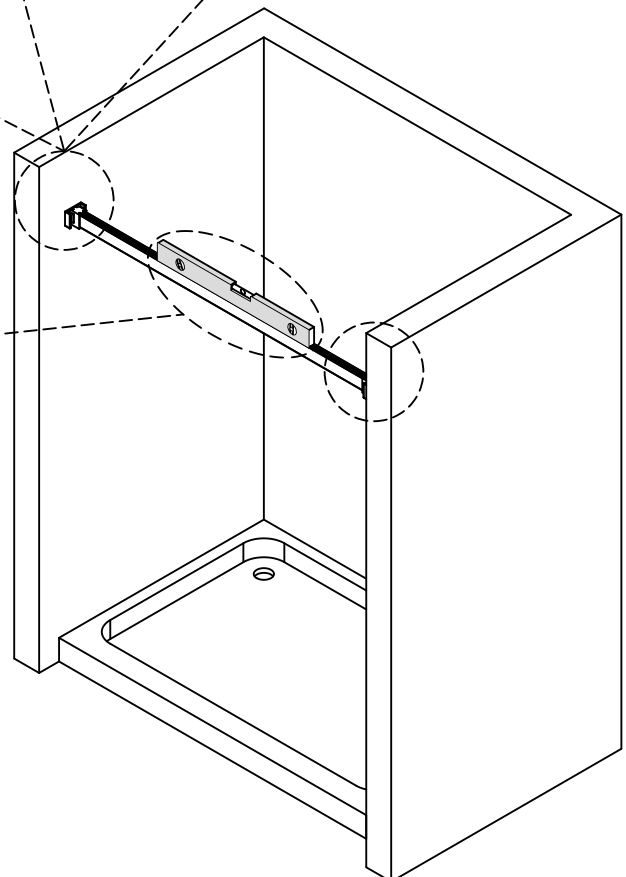
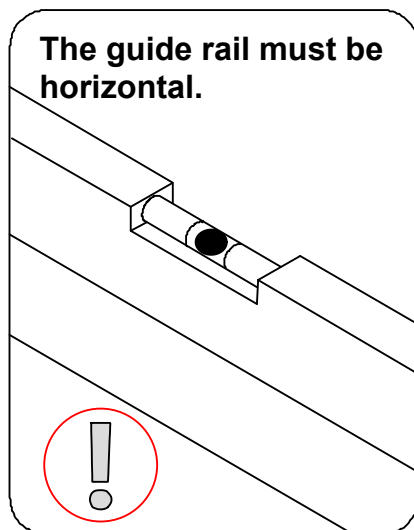
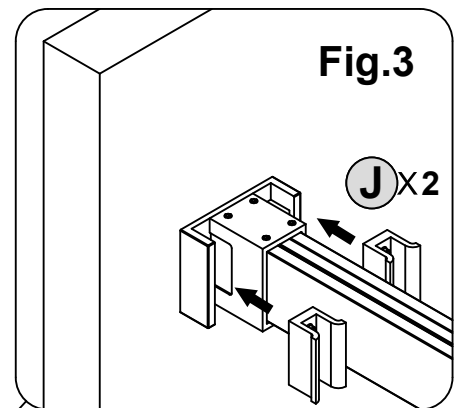
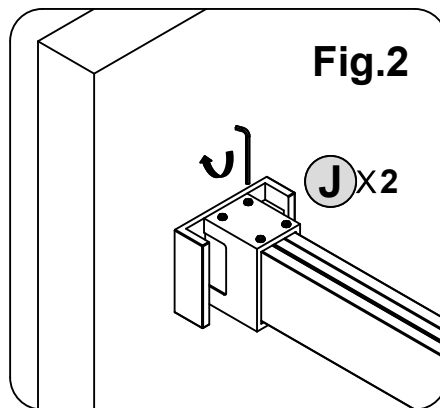
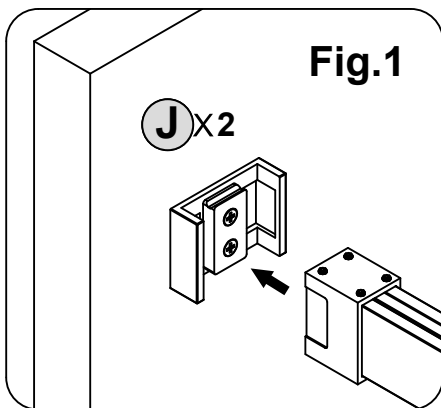
3 Install Top Guide Rail (A)

1. Mount the **Top Guide Rail (A)** with attached **Rail Bracket Blocks (J)** onto the wall-mounted Bracket Blocks.

NOTE

2. Tighten set screws on both **Rail Bracket Blocks (J)** and **Top Guide Rail (A)** using a hex key.

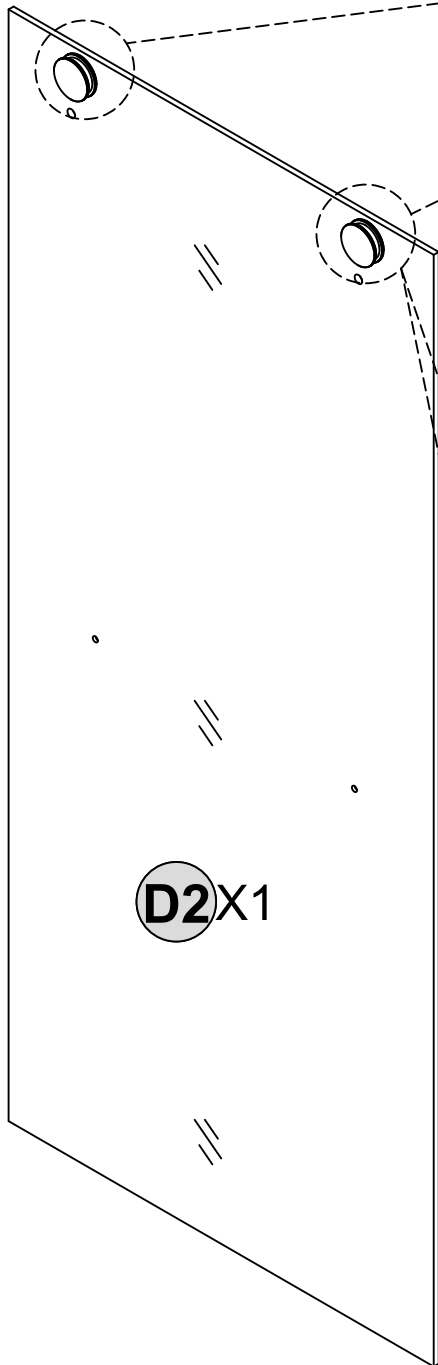
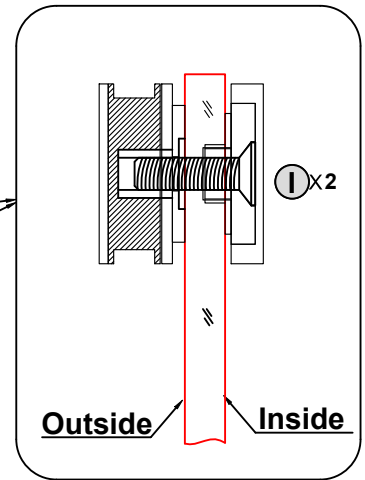
3. Snap anti-collision rubber pads onto the wall-mounted Bracket Blocks.



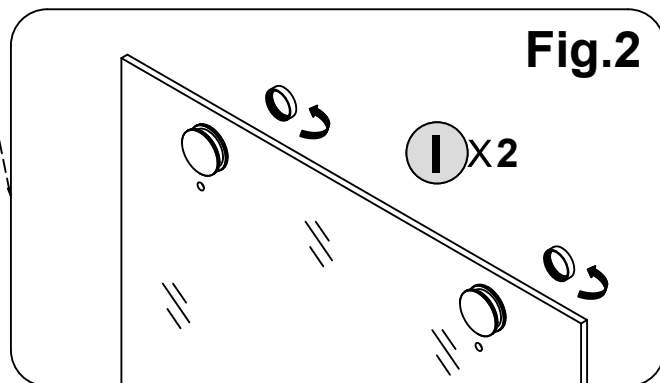
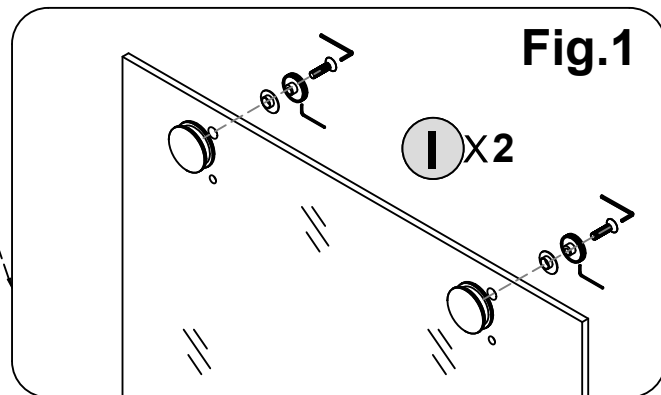
4 Install **Rollers (I)** on **Inner Sliding Door (D2)**

NOTE

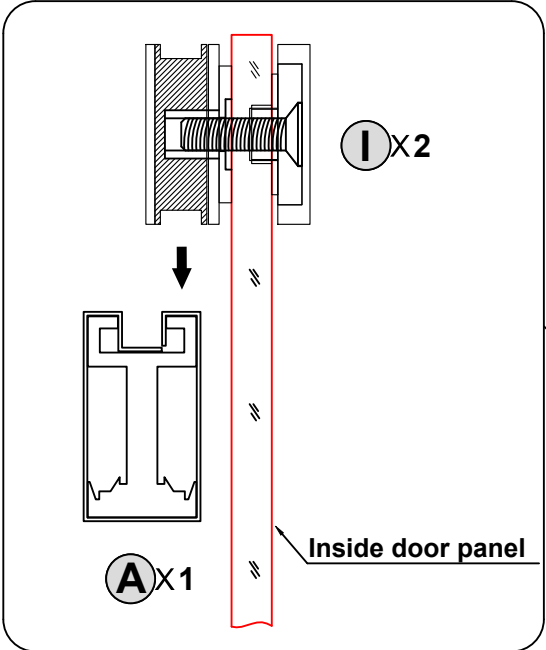
Roller wheels face **OUTWARD**



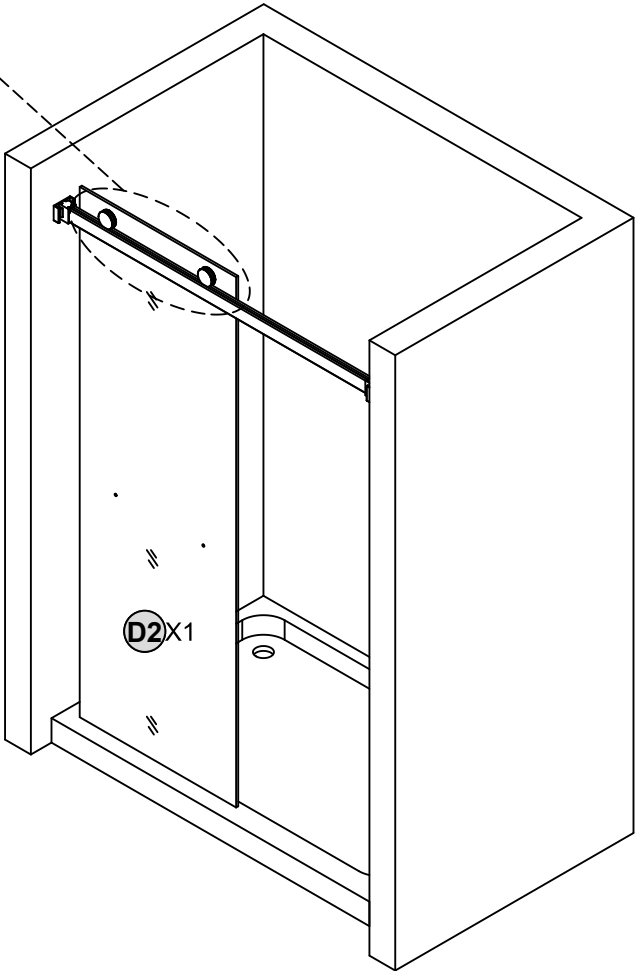
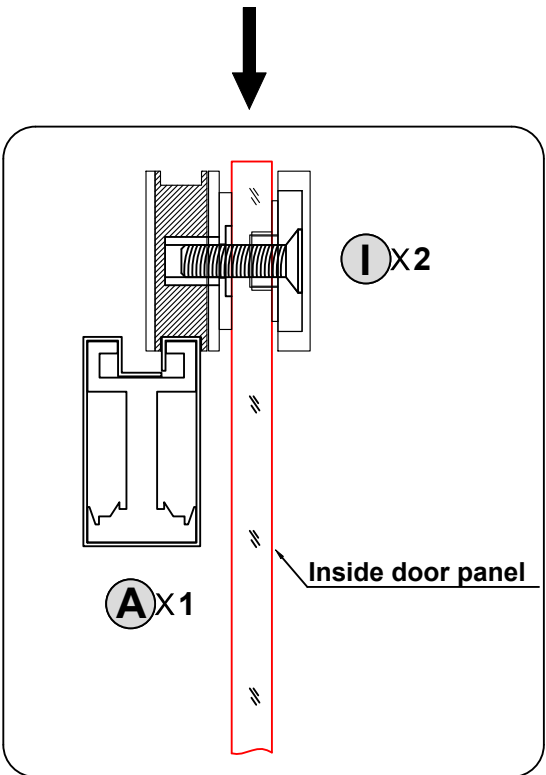
1. Press rubber grommets and threaded inserts into holes on the **Inner Sliding Door (D2)**. Secure **Rollers (I)** with countersunk screws.
2. Tighten roller caps.



5 Install Inner Sliding Door (D2)



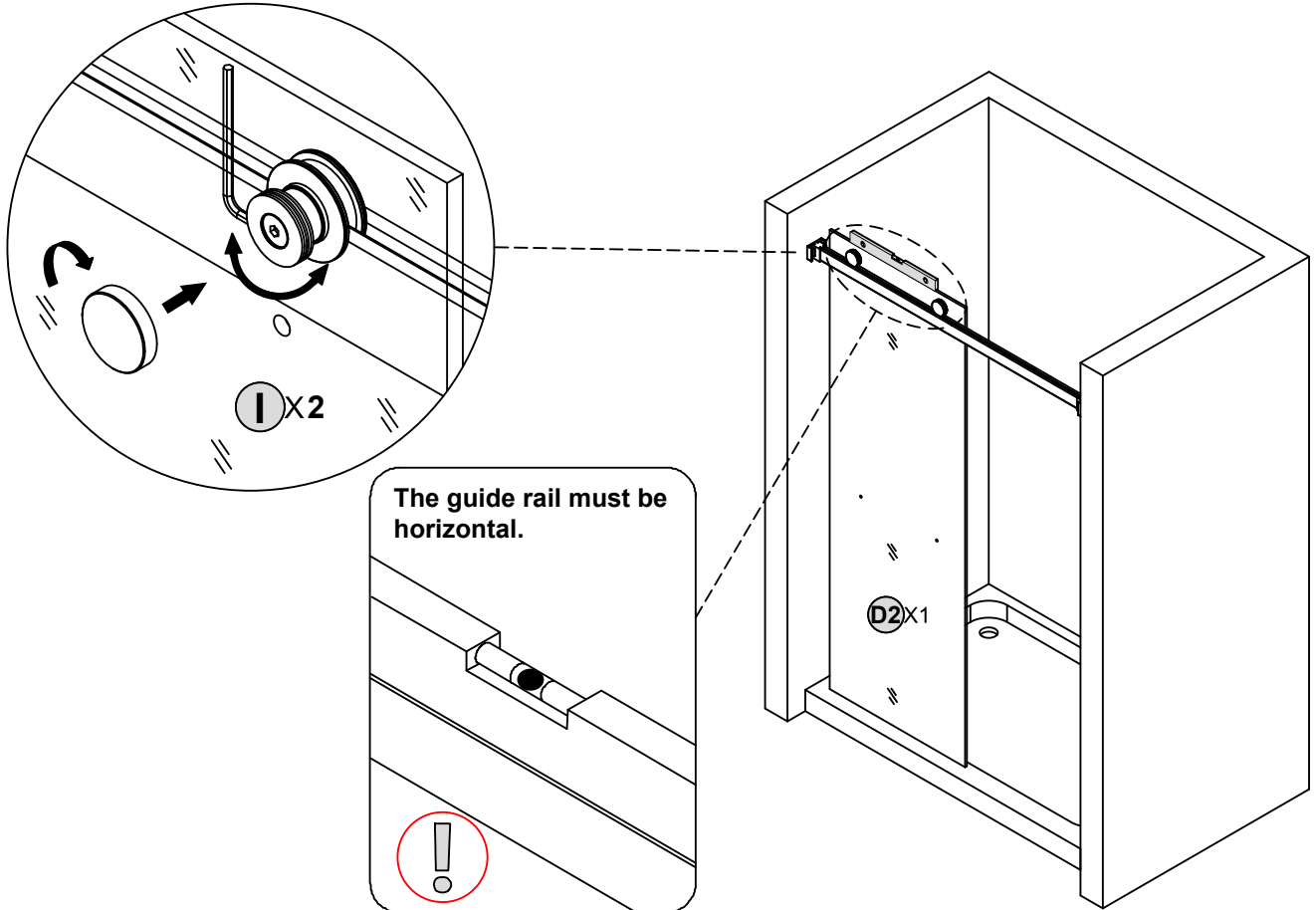
NOTE Lift Inner Sliding Door (D2) and engage Rollers (I) into the Top Guide Rail (A)



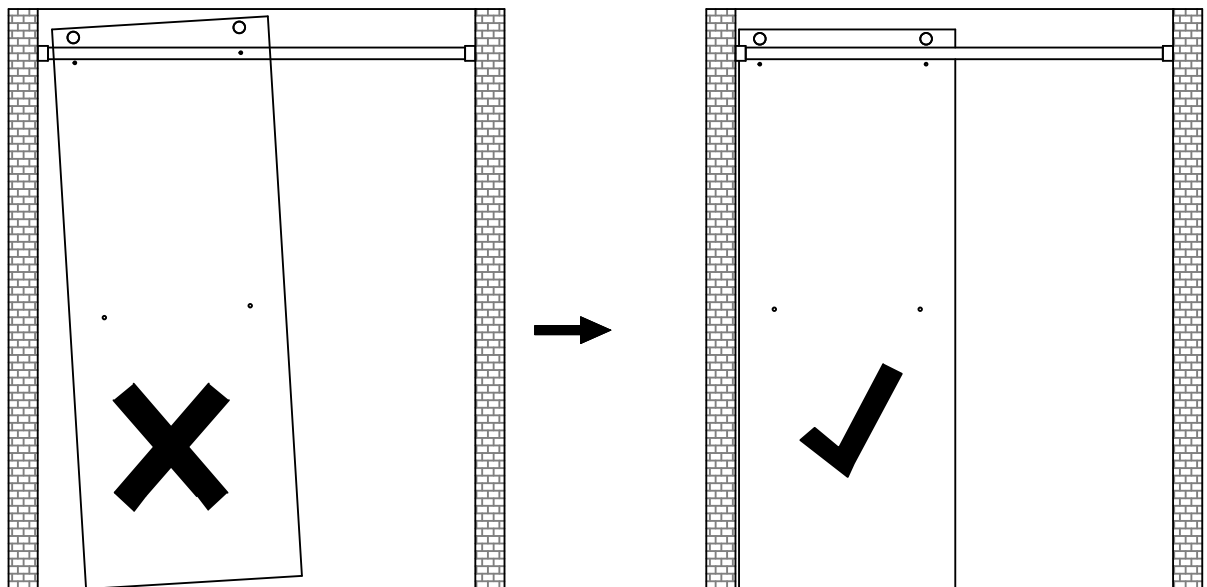
6 Adjust **Inner Sliding Door (D2)** Height

NOTE

Rotate to adjust **Rollers (I)** to proper height for smooth sliding, Ensure door edge is parallel to the wall for a sealed closure, Tighten roller caps.



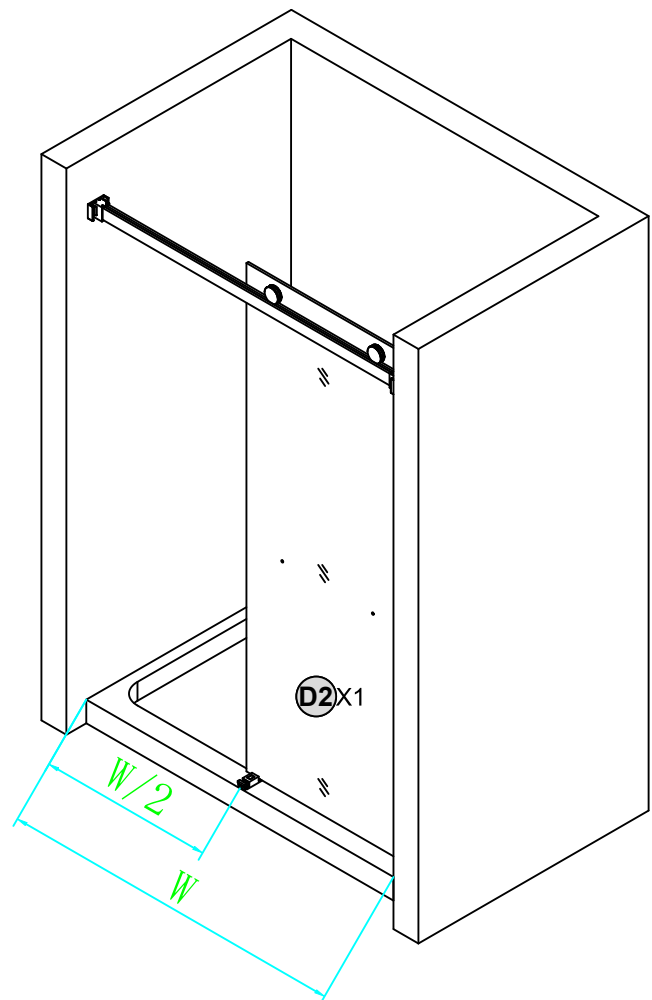
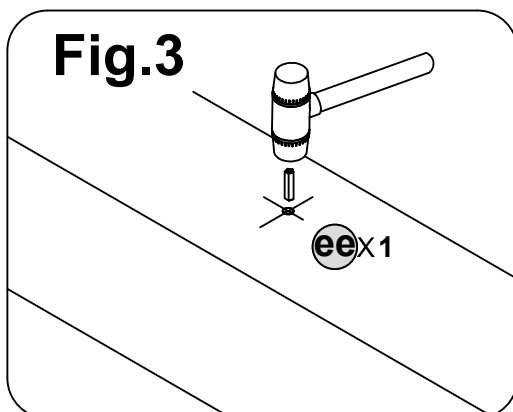
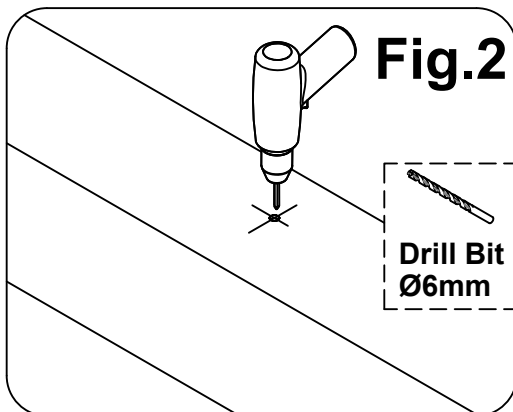
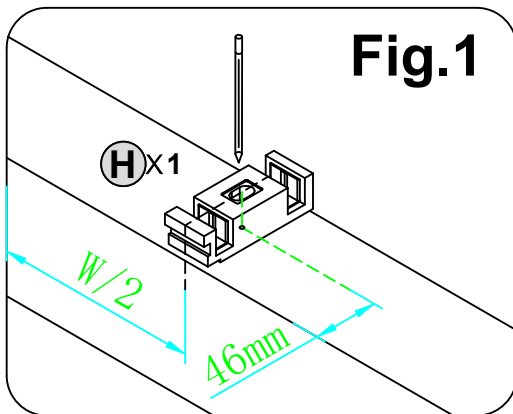
NOTE



7 Install **Bottom Guide Block (H)**

NOTE

1. Mark position at center of door panel width ($W/2$) and $1\ 13/16"$ (46mm) from edge.
2. Drill $\varnothing 6\text{mm}$ holes at marks.
3. Tap **Expansion Anchors (ee)** into the floor using soft head hammer.

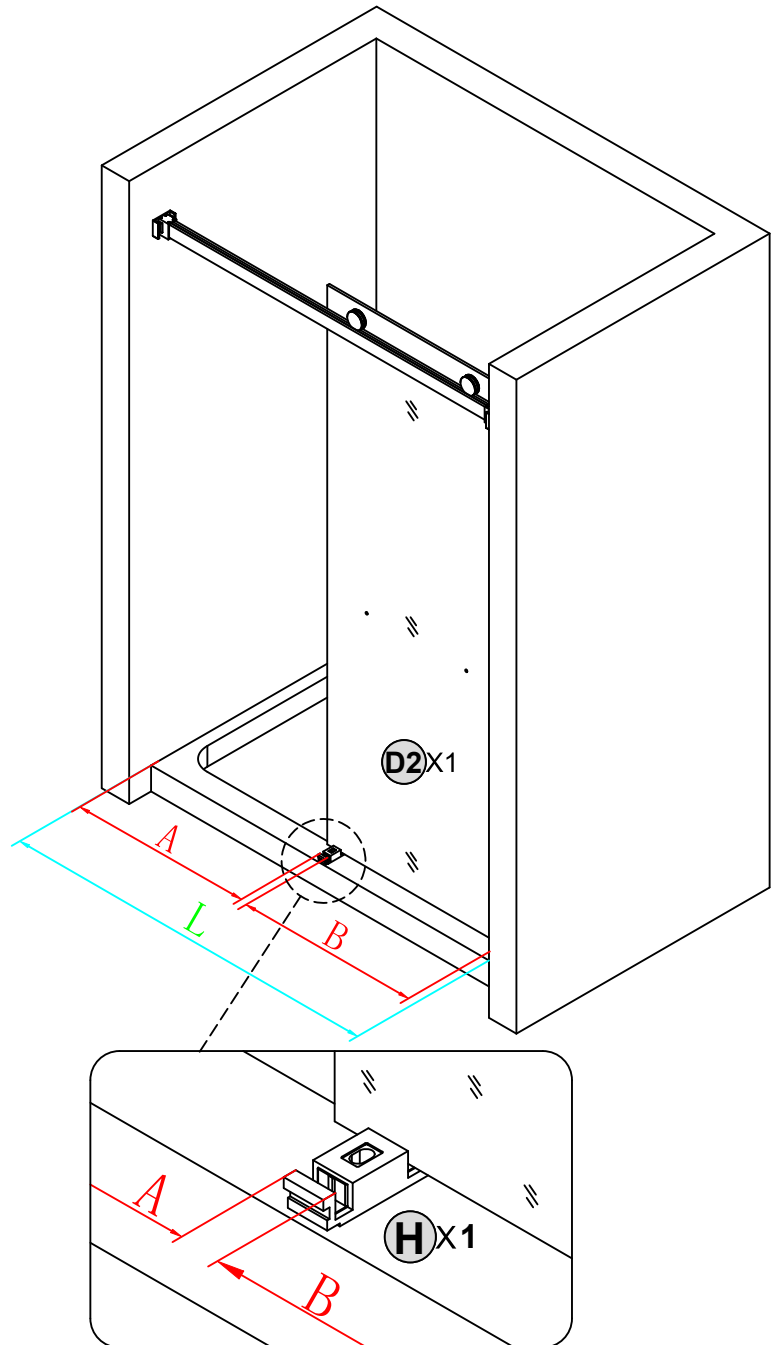
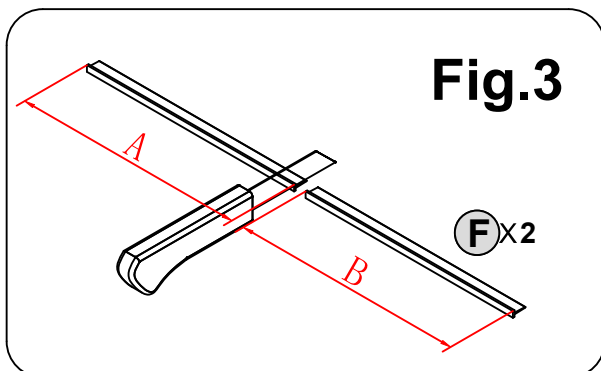
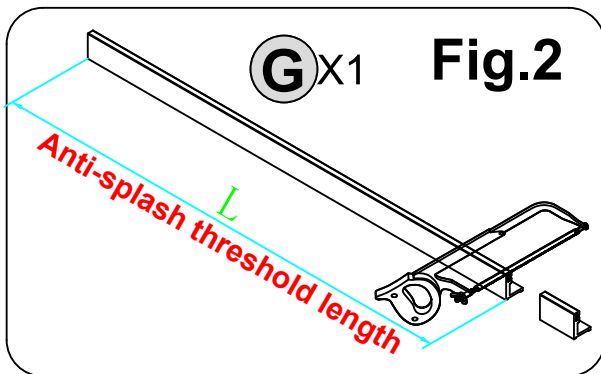
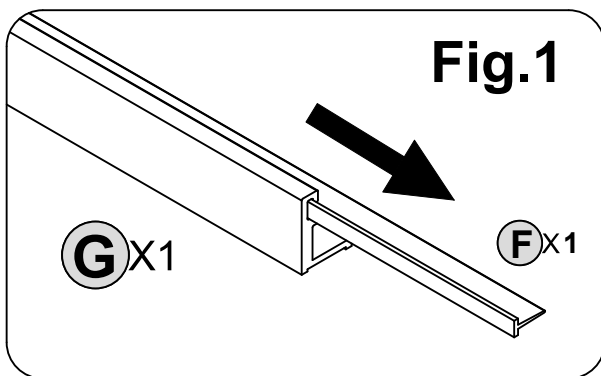


8

Prepare **Aluminum Threshold Water Dam (G)**

NOTE

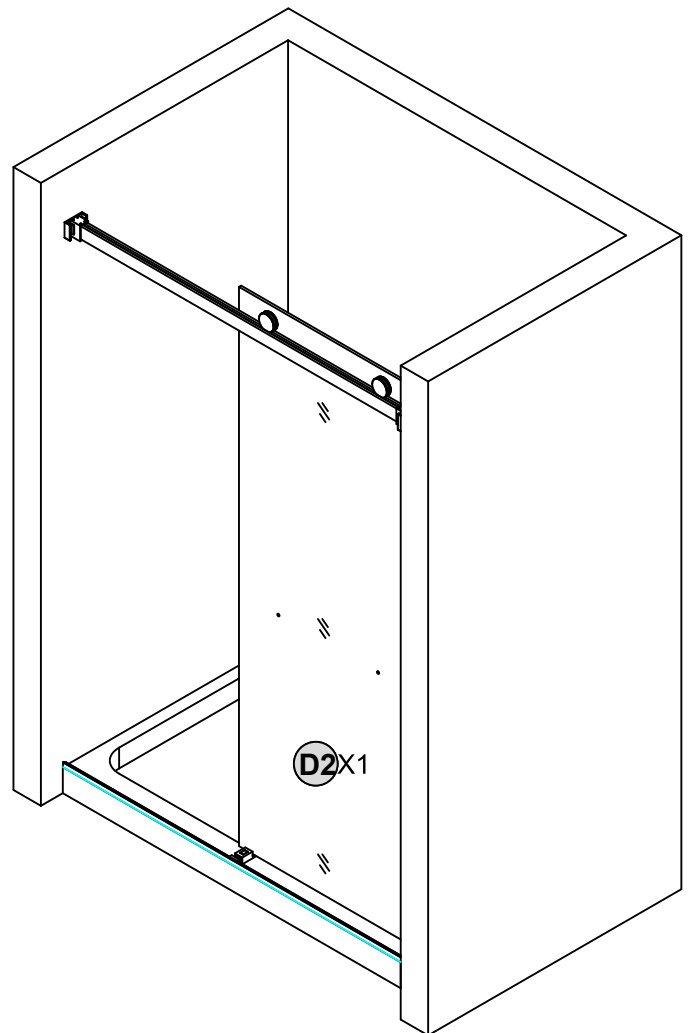
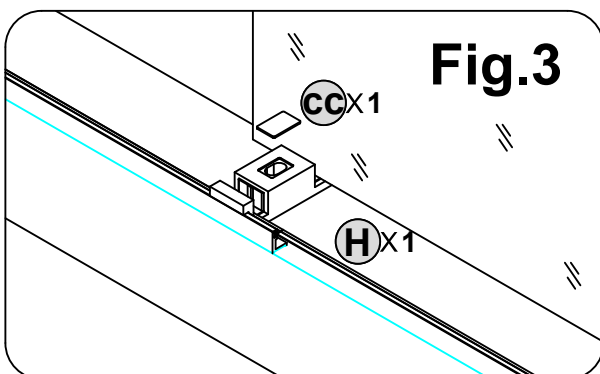
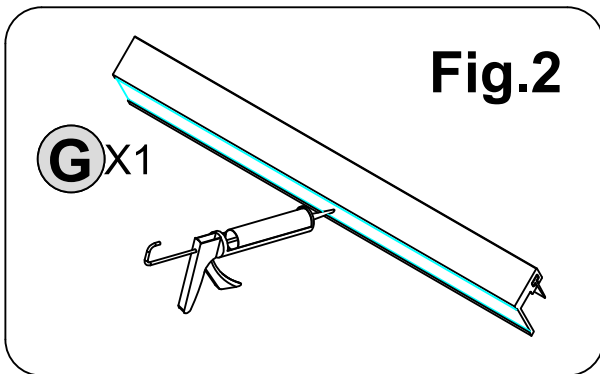
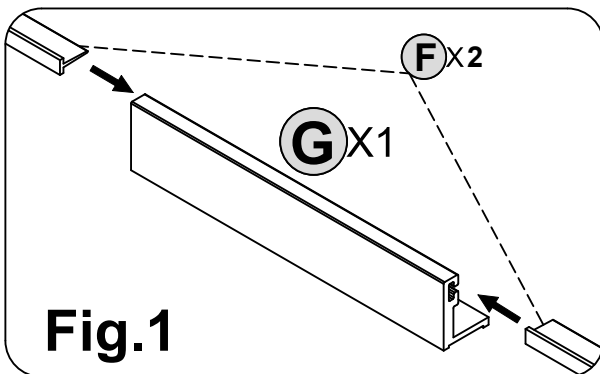
1. Pull out the **Anti-Splash Seal Strip (F)** from the **Aluminum Threshold Water Dam (G)**.
2. Measure and cut excess length from **Threshold (G)**.
3. Measure Sections A and B; cut **Seal Strip (F)** to match these lengths.



9 Install Aluminum Threshold (G)

1. Insert **Seal Strip (F)** Sections A/B into **Threshold (G)**; ensure ends are flush.
2. Apply silicone sealant to the bottom of **Threshold (G)**.
3. Snap **Threshold (G)** into the **Bottom Guide Block (H)**. Secure **Bottom Guide Block (H)** to the floor with **ST4×30mm screws (dd)**. Slide **Inner Door (D2)** into the Guide Block slot and attach **Decorative Cover (cc)**.

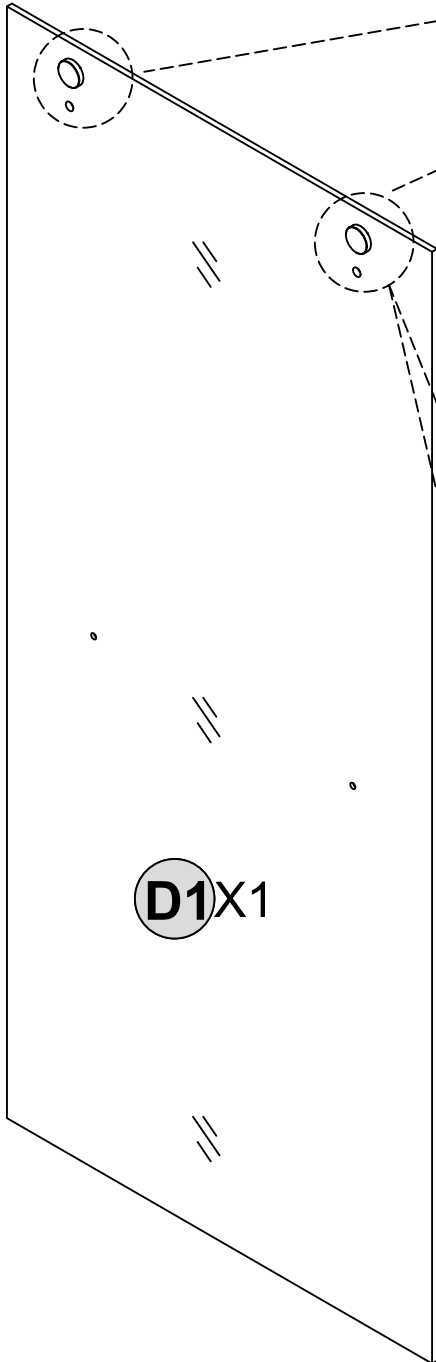
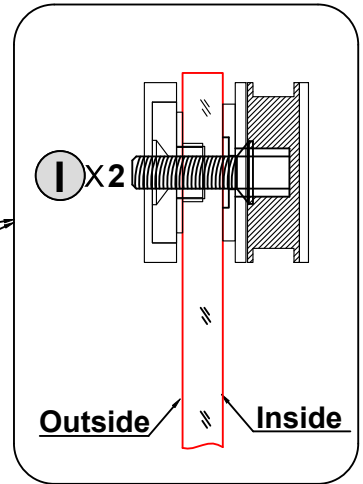
NOTE



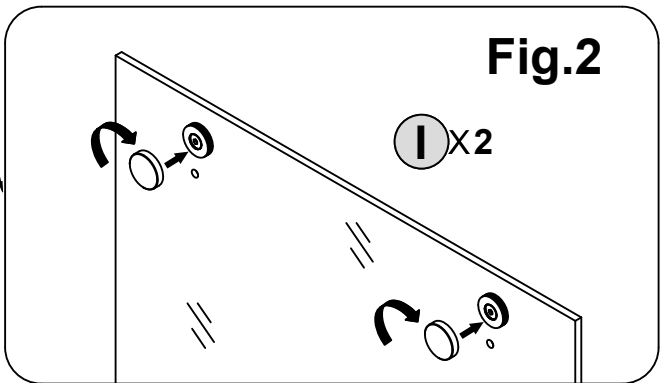
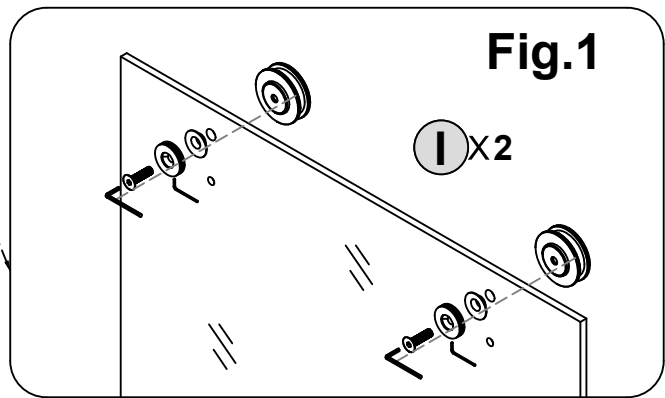
10 Install **Rollers (I)** on **Outer Sliding Door(D1)**

NOTE

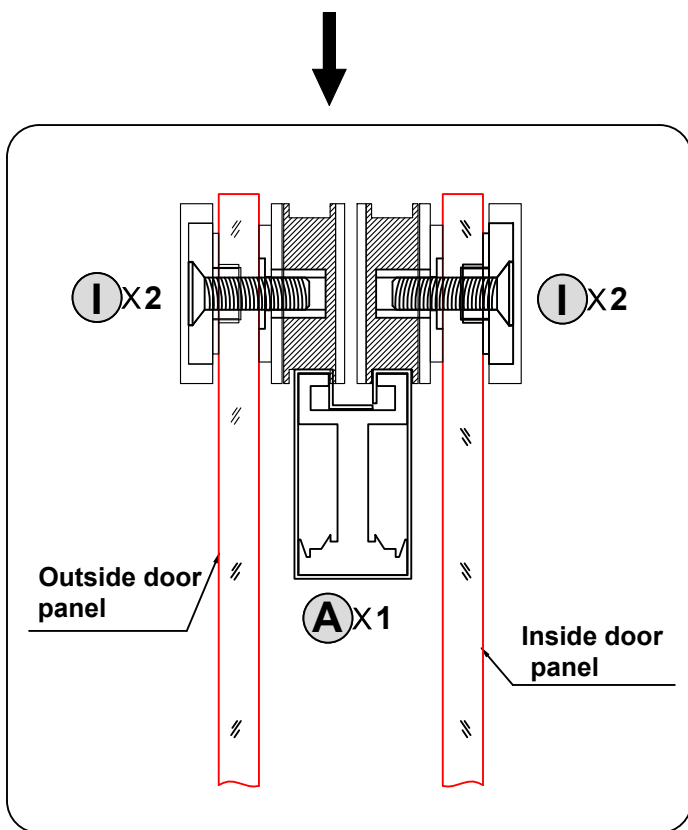
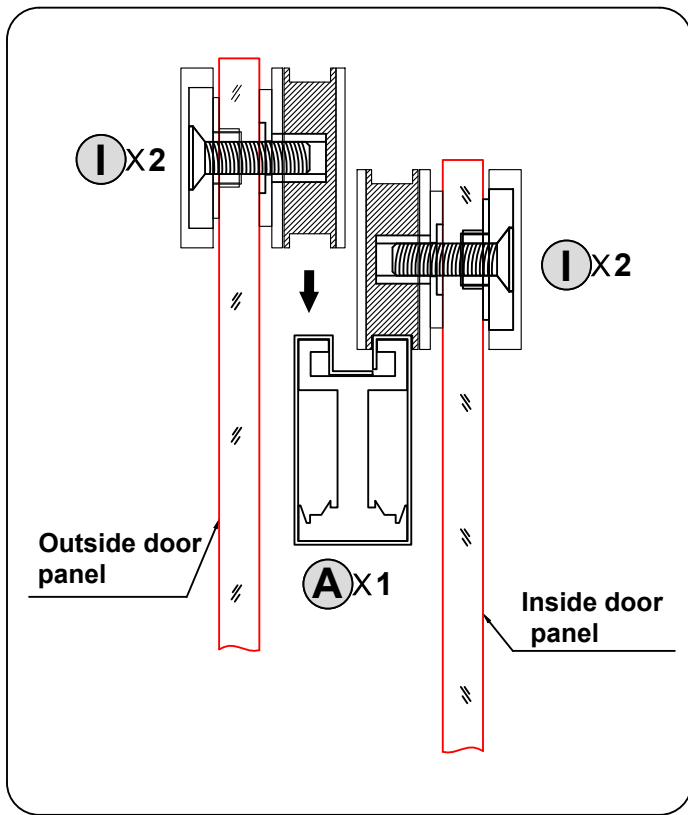
Roller wheels face **INWARD**



1. Press rubber grommets/threaded inserts into **Outer Sliding Door (D1)** holes. Secure **Rollers (I)** with countersunk screws.
2. Tighten roller caps.

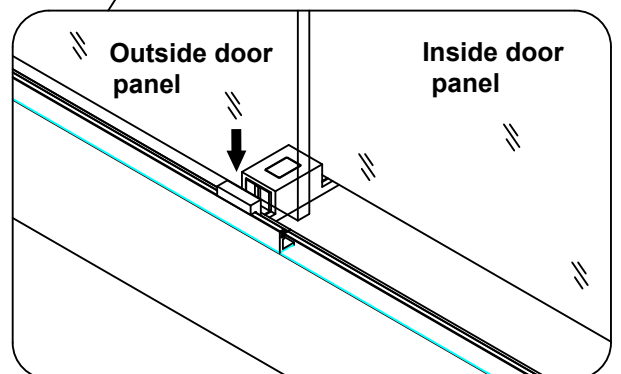
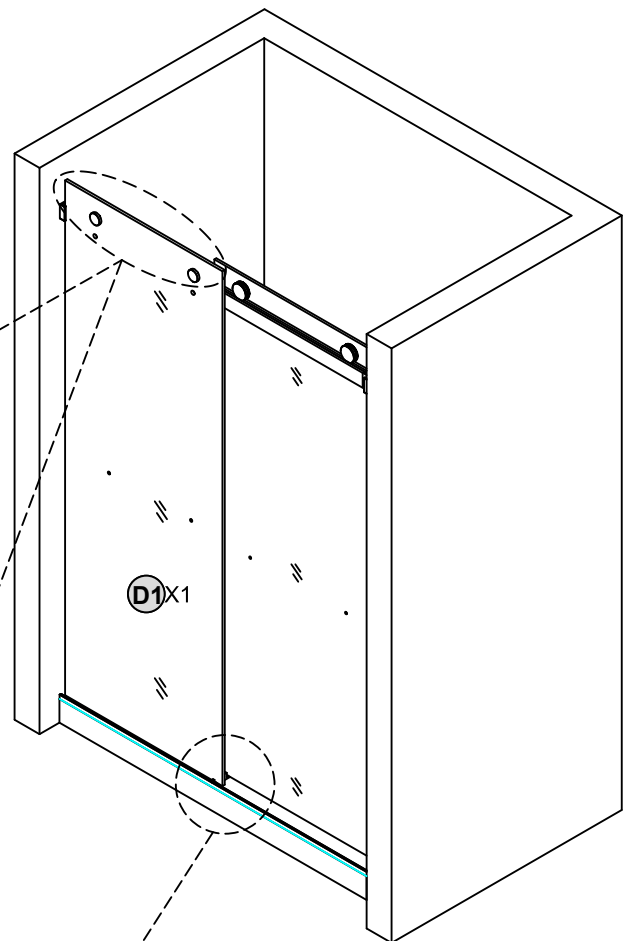


11 Install **Outer Sliding Door (D1)**



NOTE

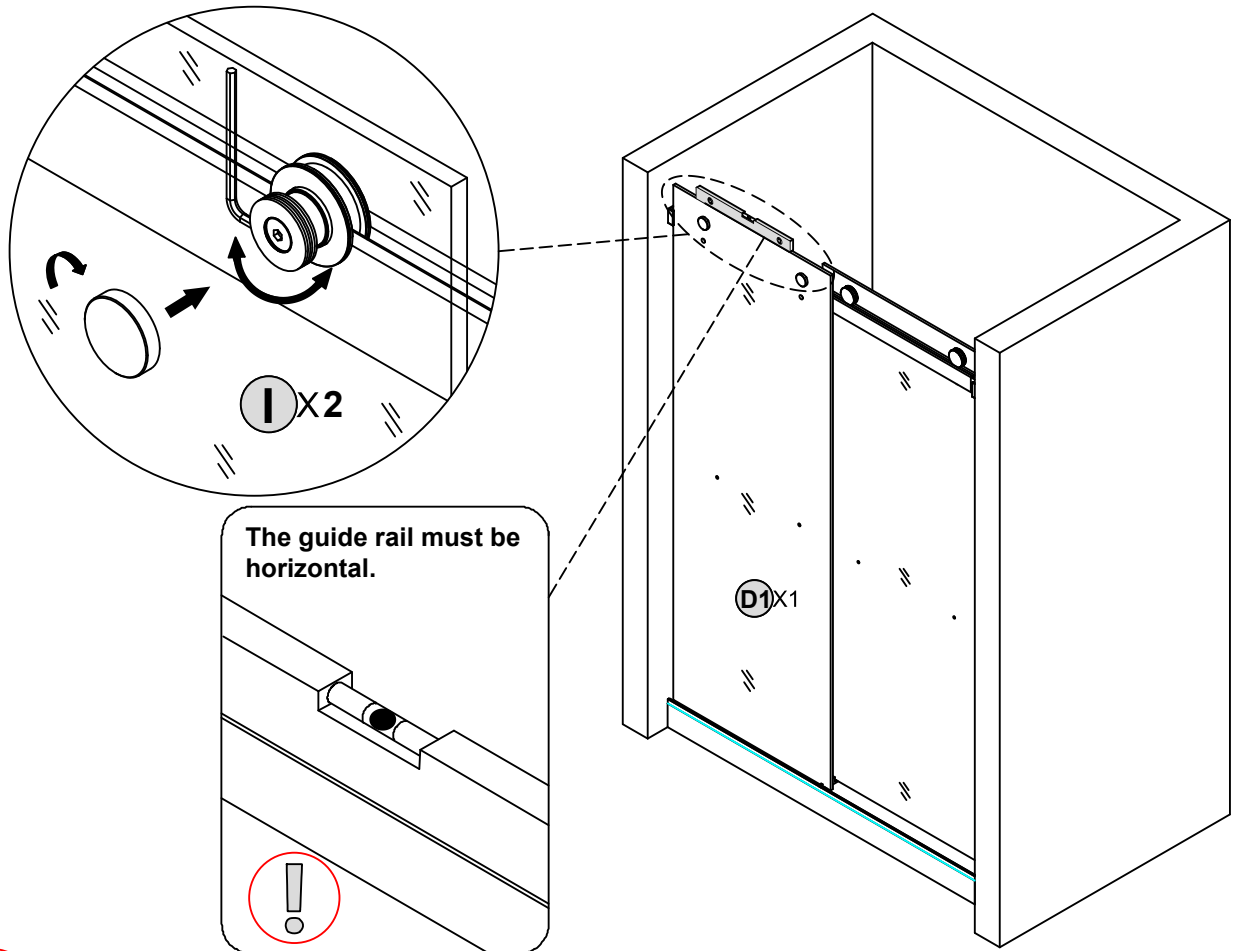
Lift **Outer Sliding Door (D1)**, engage rollers into the **Top Guide Rail (A)**, and insert bottom edge into the **Bottom Guide Block (H)** slot.



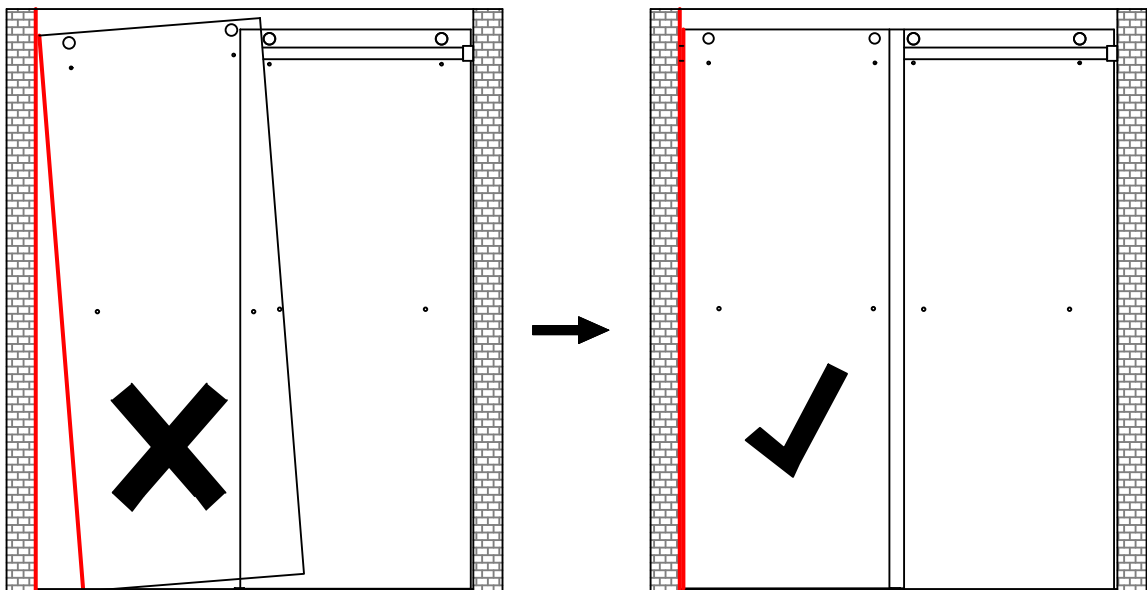
12 Adjust **Outer Sliding Door (D1)** Height

NOTE

Rotate to adjust **Rollers (I)** for smooth sliding, Align door edge parallel to the wall for a sealed closure, Tighten roller caps.



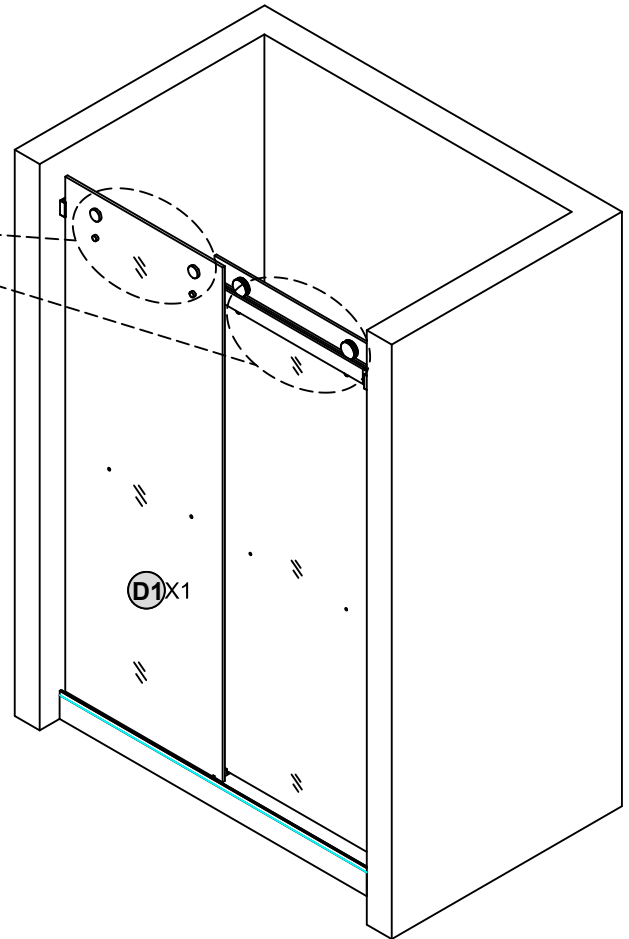
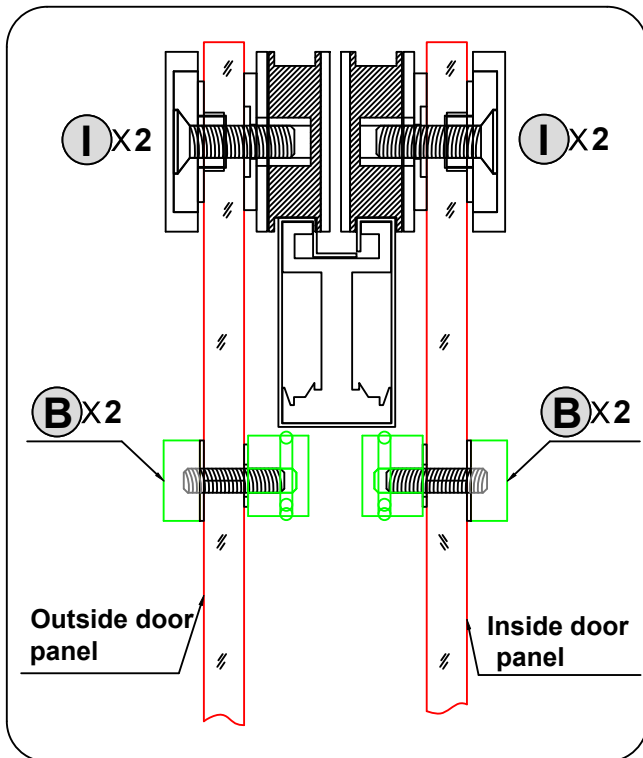
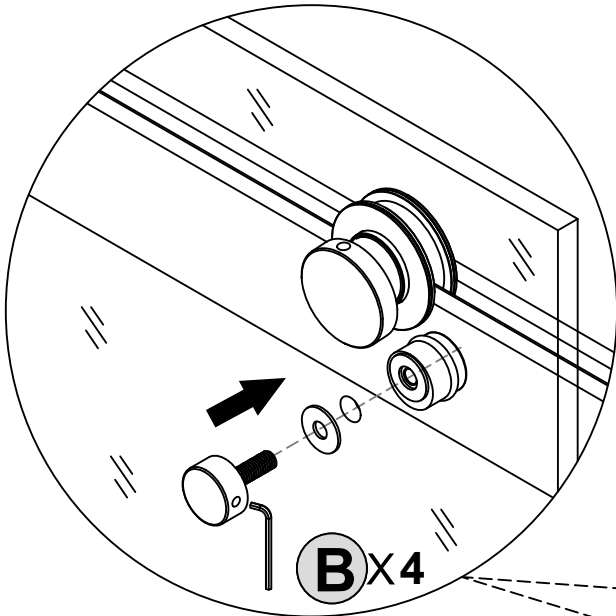
NOTE



13 Install Anti-Jump Knobs (B)

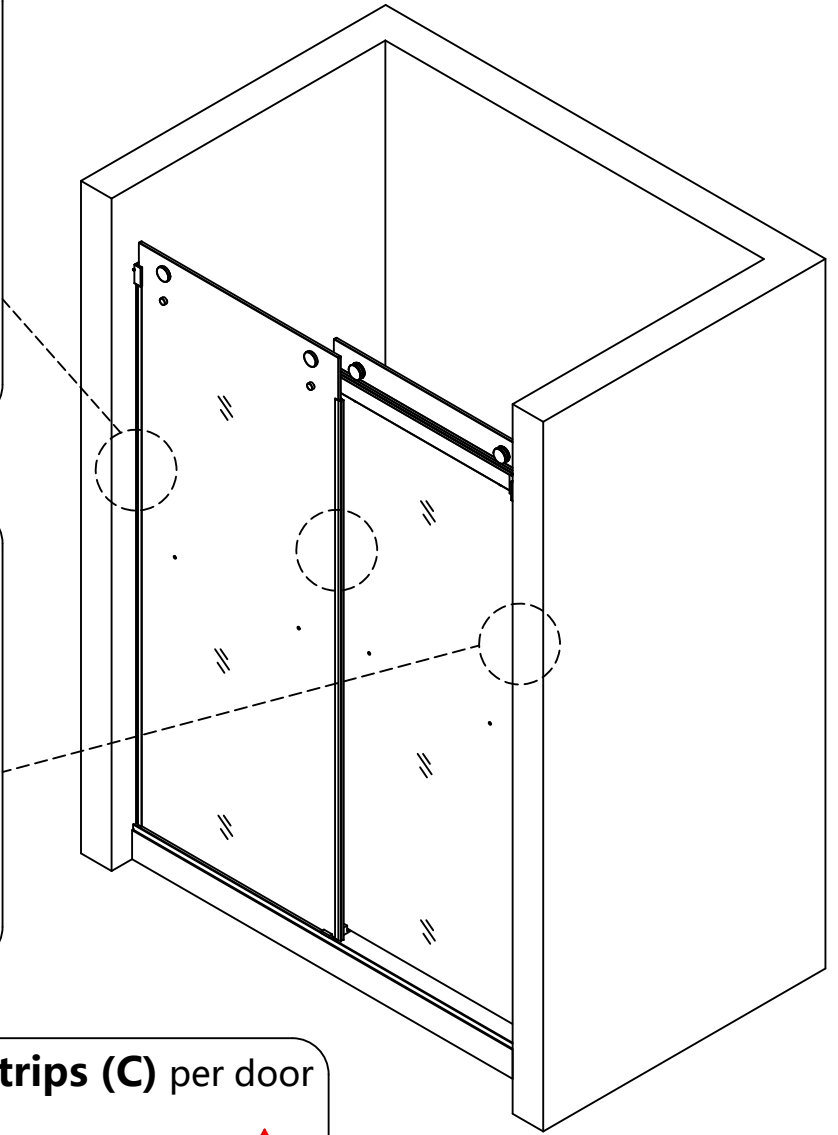
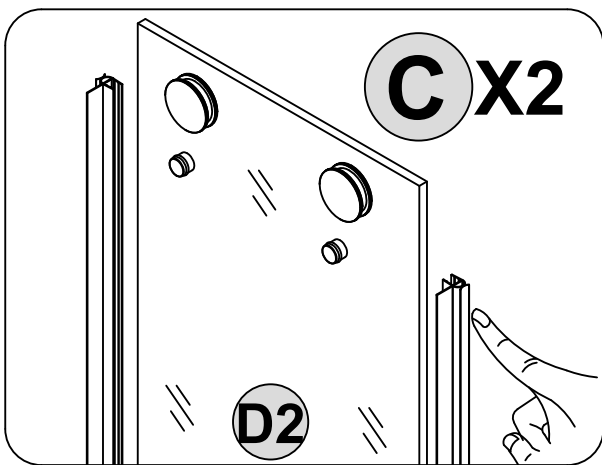
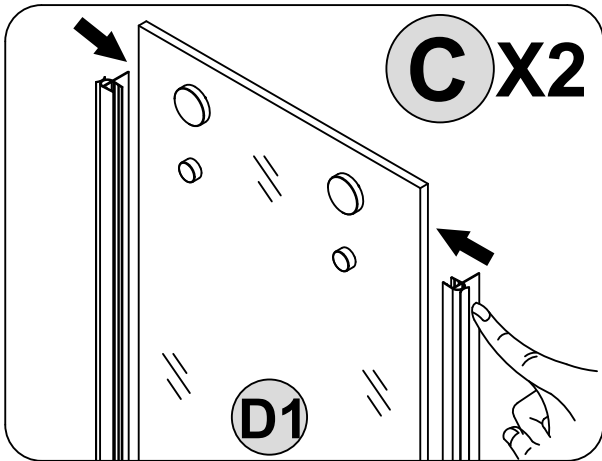
NOTE

Attach **Anti-Jump Knobs (B)** to both **Outer (D1)** and **Inner (D2)** doors.



14 Install **Seal Strips (C)**

NOTE Install **2 Seals** on each door panel



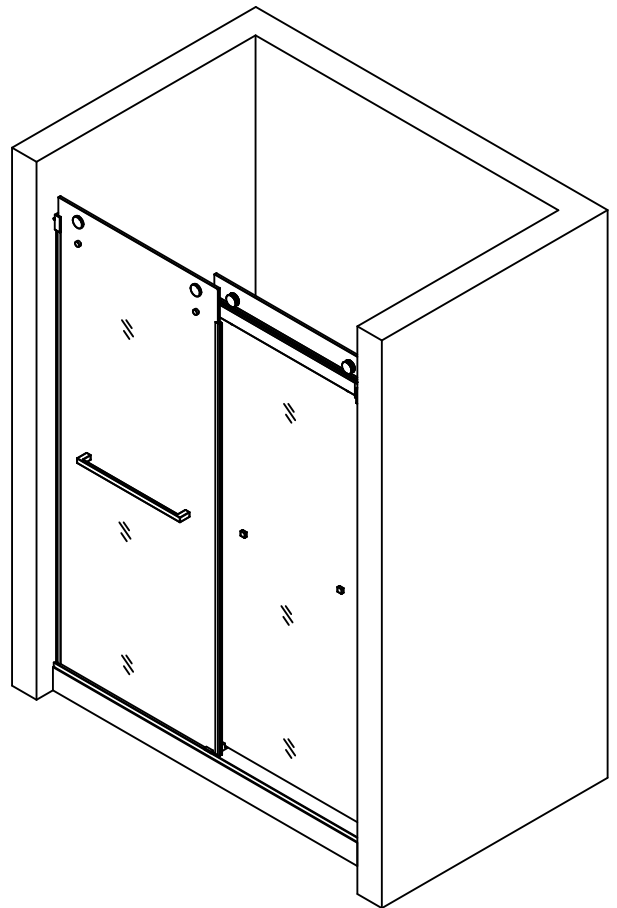
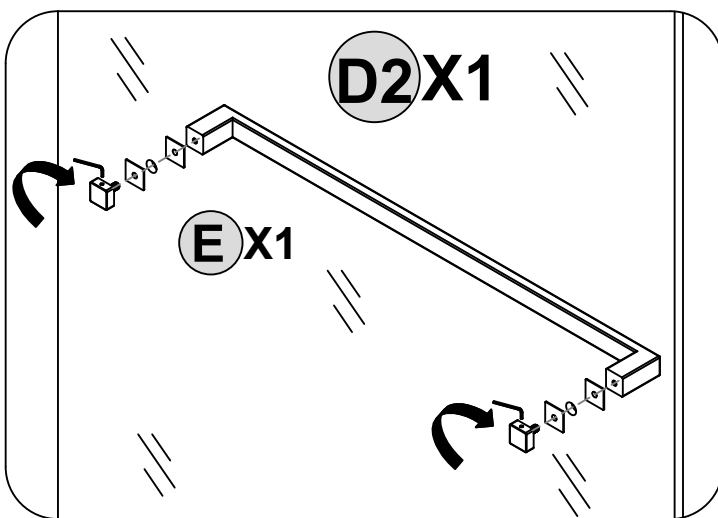
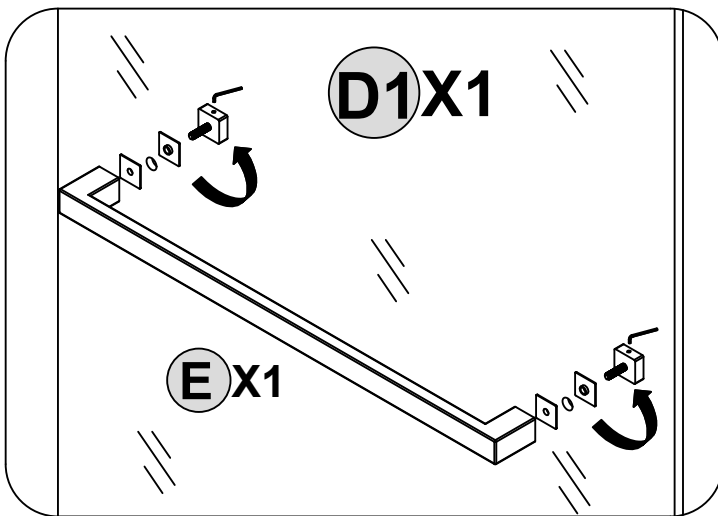
1. Install two **F-type Bulb Seal Strips (C)** per door panel (D1 & D2).
2. Ensure seals are flush with the bottom edge of the doors.



15 Install **Handles (E)**

NOTE

Attach **Handles (E)** to both doors (D1 & D2).
Use all provided plastic washers to protect the glass.



16 SEALING

NOTE Ensure all surfaces are clean and free of debris before applying silicone sealant. Use a cloth or appropriate cleaner to remove any dirt, dust, or residue.

NOTE Make sure the shower door is tightly closed and opens smoothly. Apply a high-quality silicone sealant along the bottom edge of the fixed glass and the lower water barrier. Ensure the sealant is evenly distributed and covers all gaps to prevent water leakage.



Allow 24 hours for the silicone sealant to fully cure before using the shower. This ensures a strong and watertight seal.



! Apply Silicone Sealant, (not supplied).

Apply silicone around the fixed glass and the lower water barrier.

