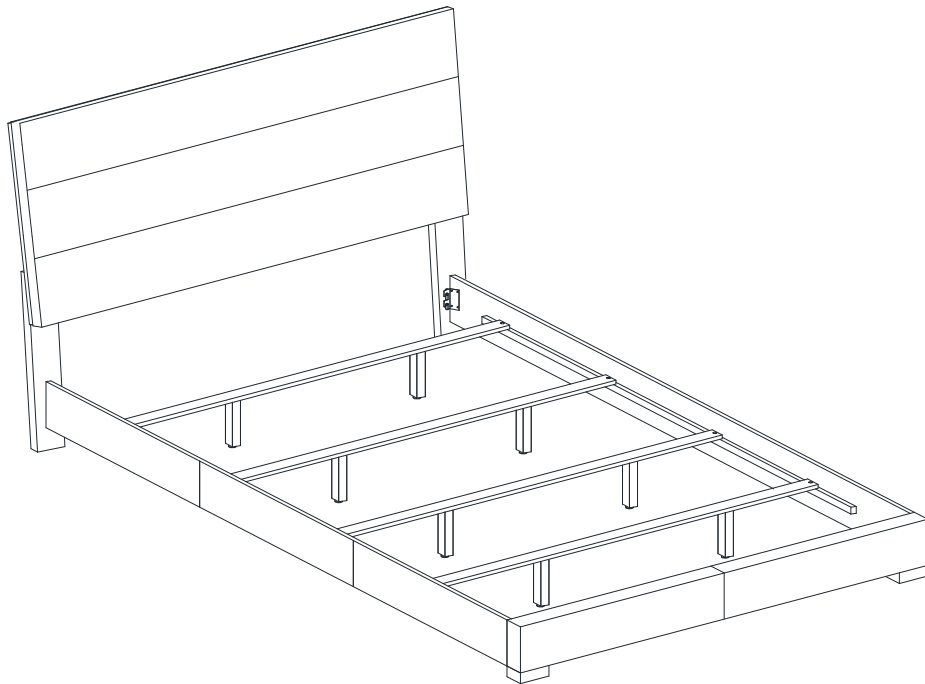


ASSEMBLY INSTRUCTIONS



Fine Furniture for every stage of life

California King Bed

REVISION 0 : 05/30/2014
REVISION 1 : 07/25/2019

PAGE 1 OF 5

ASSEMBLY INSTRUCTIONS

ASSEMBLY TIPS:

1. Remove hardware from box and sort by size.
2. Please check to see that all hardware and parts are present prior to start of assembly.
3. Please follow attached instructions in the same sequence as numbered to assure fast & easy assembly.

WARNING!



1. Don't attempt to repair or modify parts that are broken or defective. Please contact the store immediately.
2. This product is for home use only and not intended for commercial establishments.



ASSEMBLY TIME

30 MINUTES

PARTS IDENTIFICATION

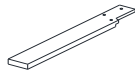
B1 (BOX 1)

A HEADBOARD PANEL



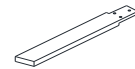
1PC

B RIGHT HEADBOARD LEG



1PC

C LEFT HEADBOARD LEG



1PC

B2 (BOX 2)

D BED SLAT



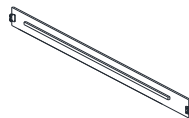
4PCS

E BED SLAT SUPPORT WITH LEVELER



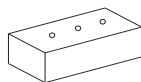
8PCS

F BED RAIL



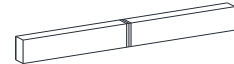
2PCS

G FOOTBOARD LEG



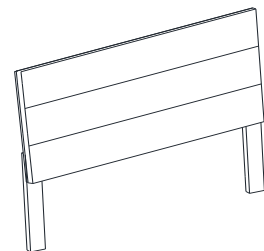
2PCS

H FOOTBOARD PANEL



1PC

HB FROM BOX 1 HEADBOARD COMPLETE



1PC

NOTE:

Phillips head screw driver is required in the assembly process; however, manufacturer does not provide this item.

ASSEMBLY INSTRUCTIONS

ASSEMBLY TIPS:

1. Remove hardware from box and sort by size.
2. Please check to see that all hardware and parts are present prior to start of assembly.
3. Please follow attached instructions in the same sequence as numbered to assure fast & easy assembly.

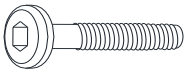





WARNING!





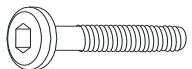
1. Don't attempt to repair or modify parts that are broken or defective. Please contact the store immediately.
2. This product is for home use only and not intended for commercial establishments.

HARDWARE IDENTIFICATION

BOX 1 - HARDWARE PACK

1	BOLT (M6 x 30mm - BLK)		6PCS	3	FLAT WASHER (1/4" X 13mm - BLK)		6PCS
2	SMALL ALLEN WRENCH (M4 x 60MM - BLK)		1PC	4	LOCK WASHER (1/4" - BLK)		6PCS

BOX 2 - HARDWARE PACK

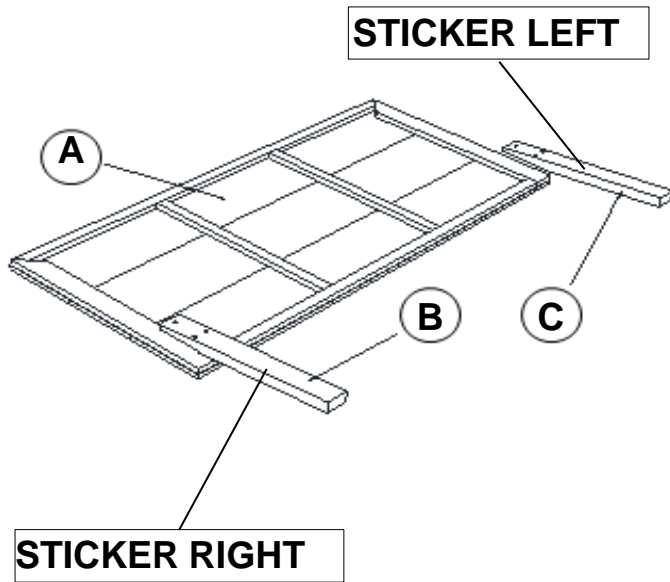
5	SHORT FLAT HEAD SCREW (M4 x 32mm - RBW)		8PCS	8	SMALL ALLEN WRENCH (M4 x 60MM - BLK)		1PC
6	LONG FLAT HEAD SCREW (M4 x 50mm - RBW)		6PCS	9	BIG ALLEN WRENCH (M5 x 65MM - BLK)		1PC
7	BOLT (M4 x 40mm - BLK)		8PCS				

NOTE:

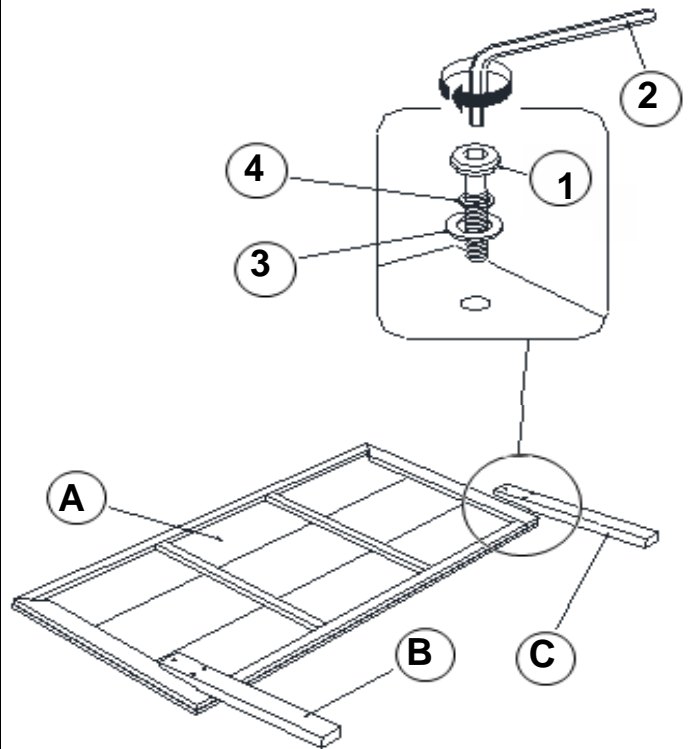
Phillips head screw driver is required in the assembly process; however, manufacturer does not provide this item.

ASSEMBLY INSTRUCTIONS

STEP 1

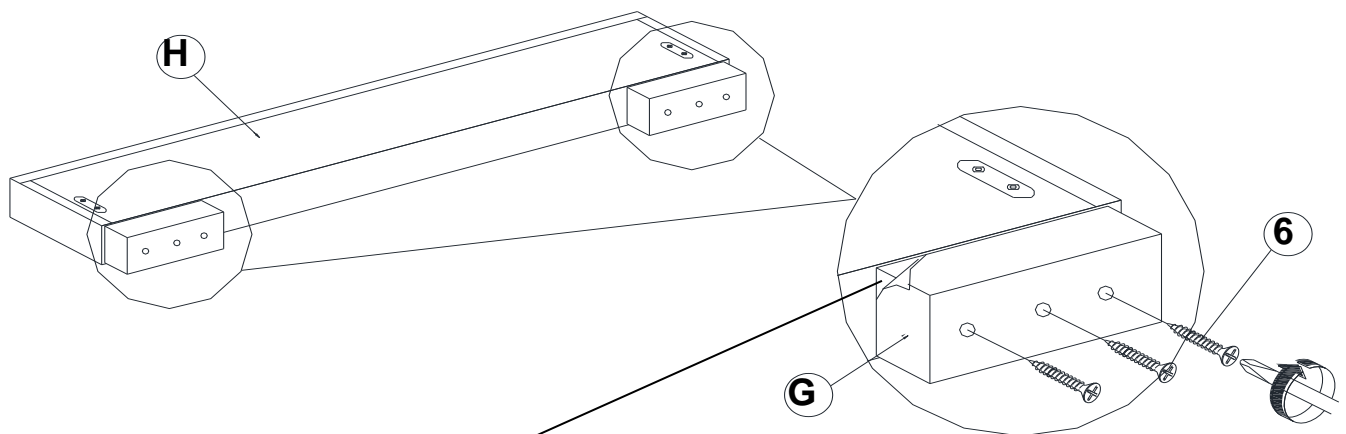


STEP 2



IF PURCHASE HEADBOARD ONLY, SKIP BELOW STEPS

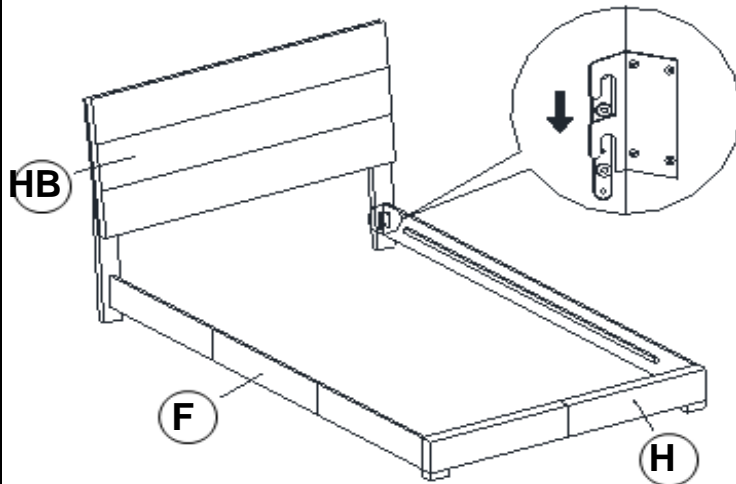
STEP 3



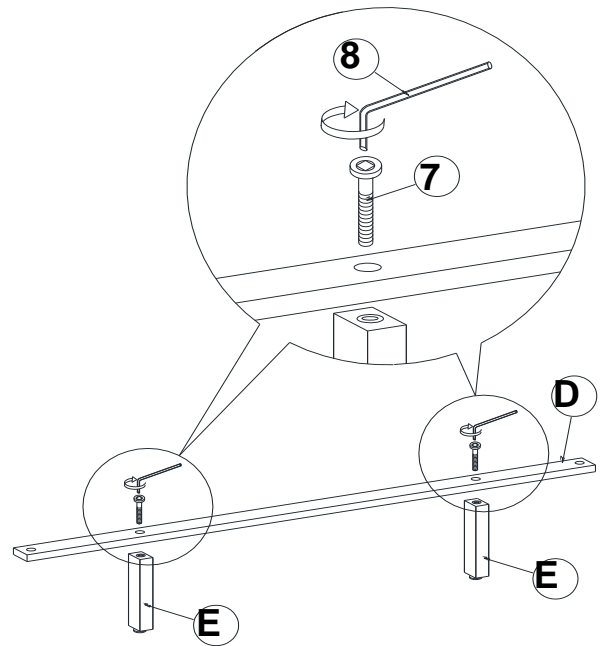
PLEASE REMOVE THE PROTECTIVE FILM BEFORE ASSEMBLY

ASSEMBLY INSTRUCTIONS

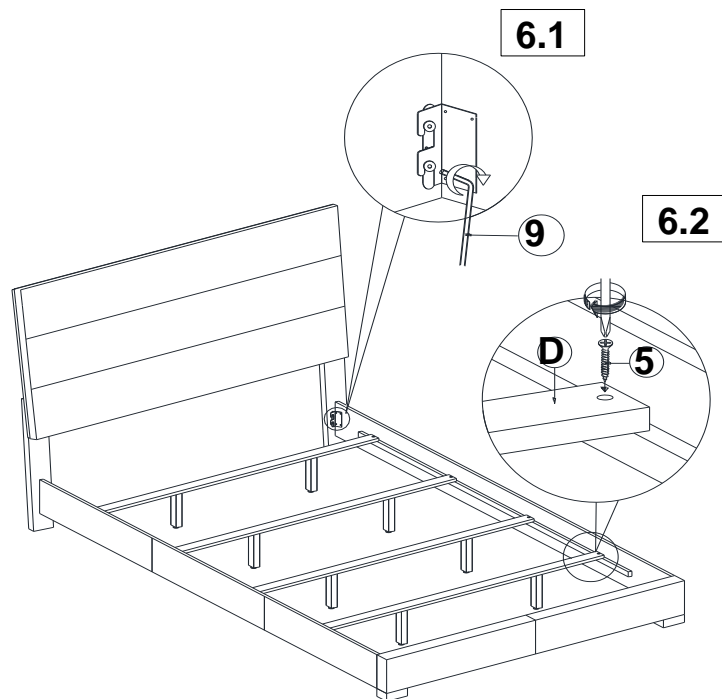
STEP 4



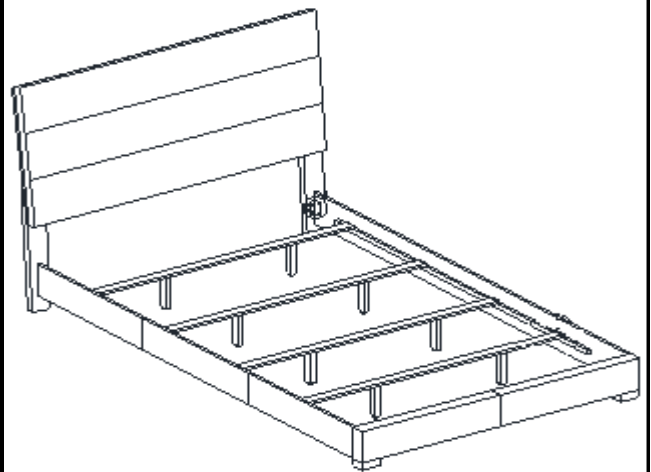
STEP 5



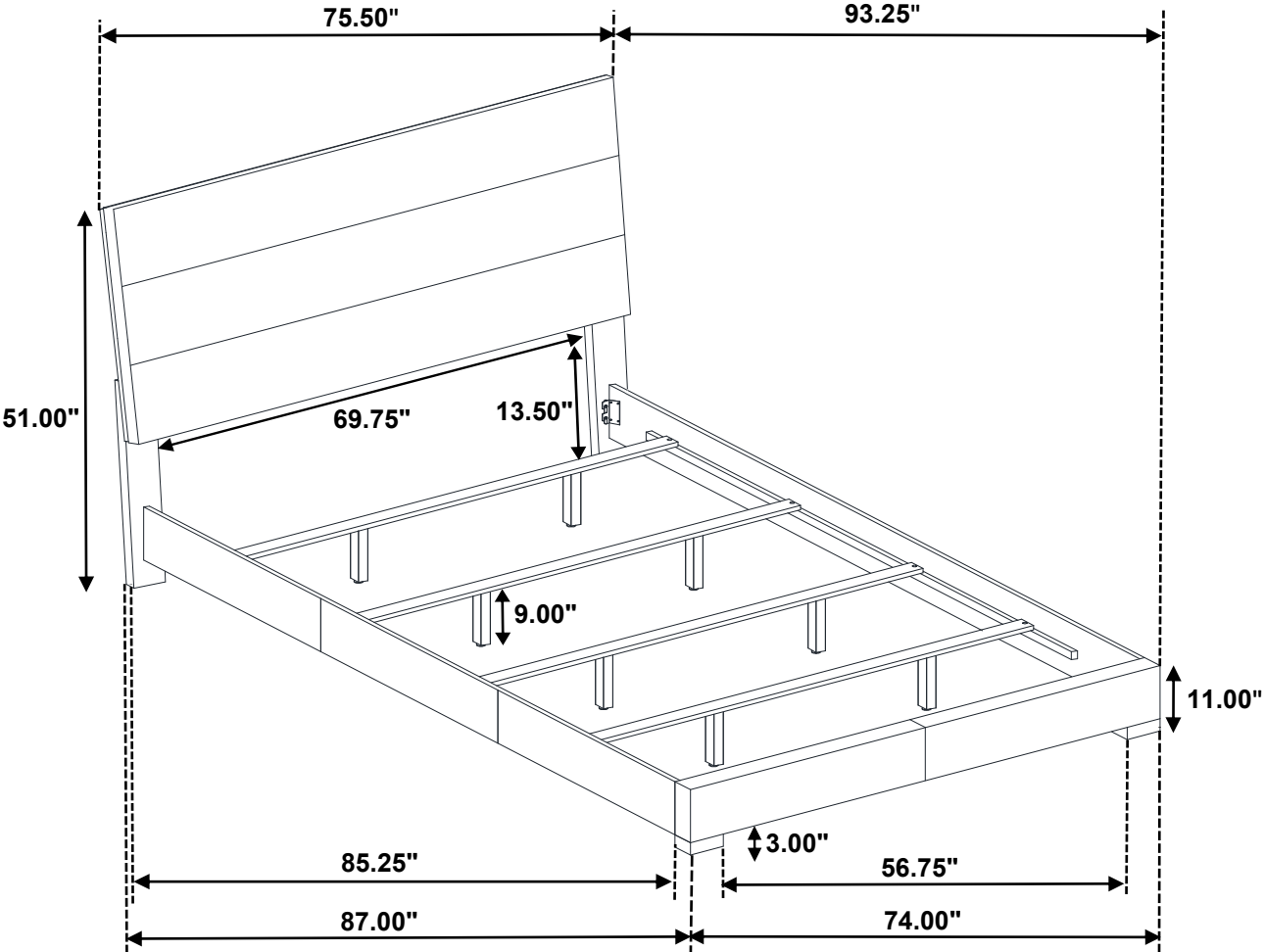
STEP 6



STEP 7 **COMPLETE**



Inner Size : 72.75"W X 85.25"D



Note : Dimension tolerance $\pm 5\%$

ASSEMBLY INSTRUCTIONS



Fine Furniture for every stage of life

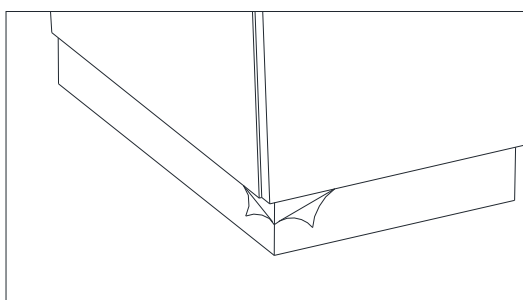
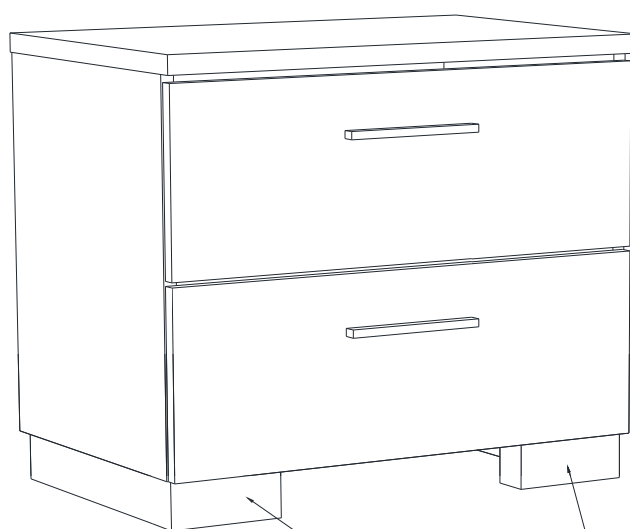
Nightstand

REVISION 0 : 05/27/2014
REVISION 1 : 07/26/2019

PAGE 1 OF 2

ASSEMBLY INSTRUCTIONS

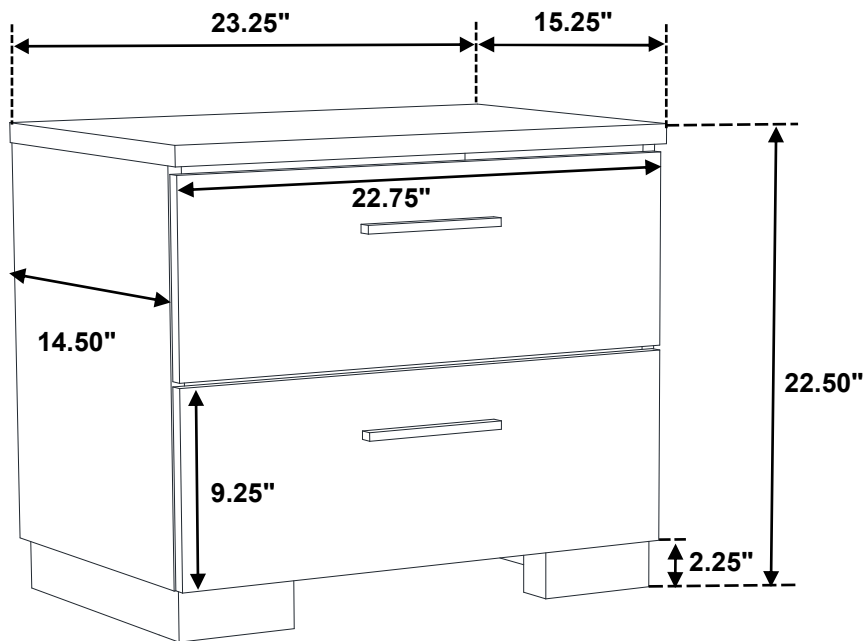
REMOVAL OF PROTECTIVE FILM



**PLEASE REMOVE THE
PROTECTIVE FILM
BEFORE USE**



Inner Size of Drawer : 20.00"W x 12.50"D x 5.00"H x 0.25"T



Note : Dimension tolerance $\pm 5\%$

ASSEMBLY INSTRUCTIONS



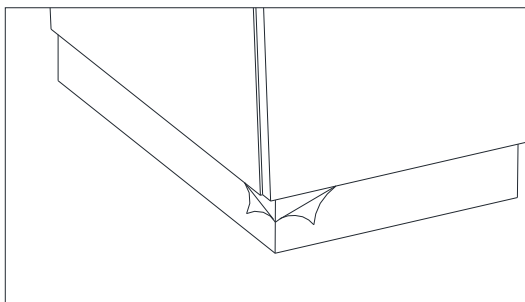
Fine Furniture for every stage of life

Dresser

REVISION 0 : 05/16/2014
REVISION 1 : 05/27/2014
REVISION 2 : 07/26/2019

ASSEMBLY INSTRUCTIONS

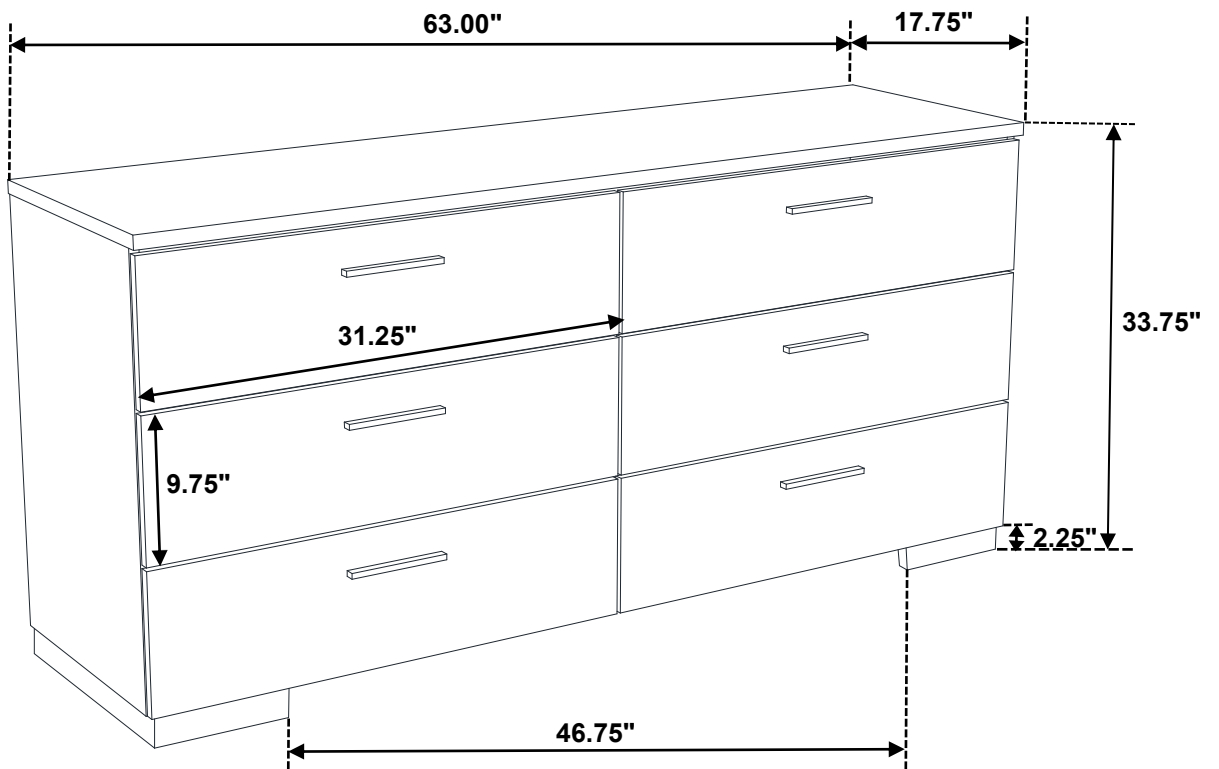
REMOVAL OF PROTECTIVE FILM



**PLEASE REMOVE THE
PROTECTIVE FILM
BEFORE USE**

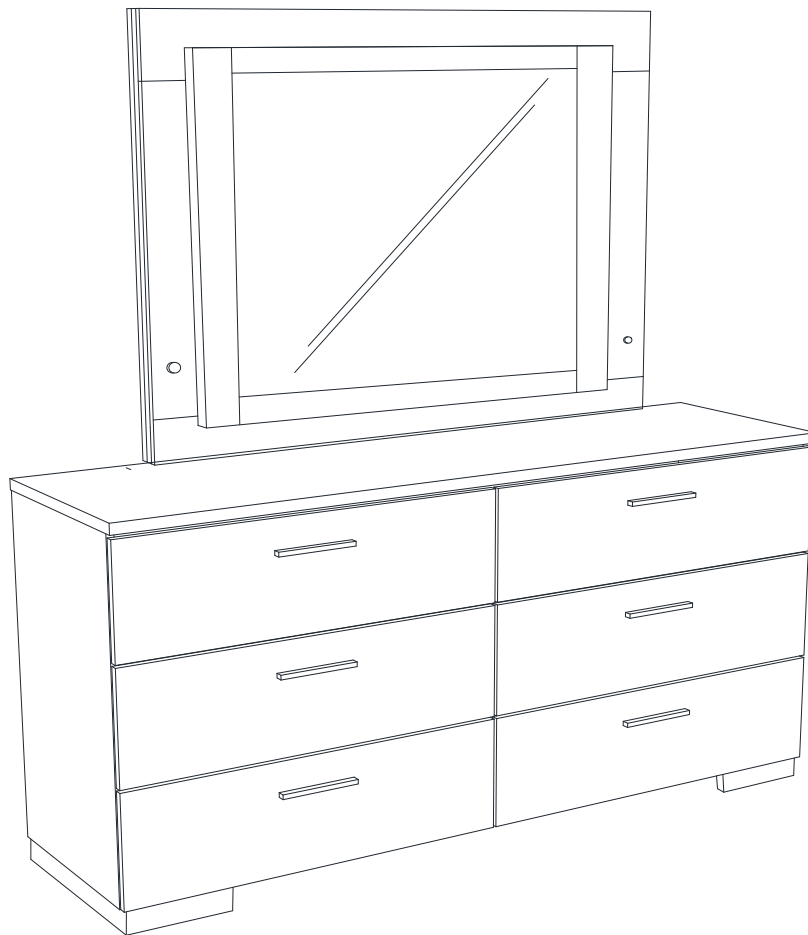


Inner Size of Drawer : 28.75"W x 12.50"D x 5.00"H x 0.25"T



Note : Dimension tolerance $\pm 5\%$

ASSEMBLY INSTRUCTIONS



Fine Furniture for every stage of life

LED Mirror

ASSEMBLY INSTRUCTIONS

ASSEMBLY TIPS:

1. Remove hardware from box and sort by size.
2. Please check to see that all hardware and parts are present prior to start of assembly.
3. Please follow attached instructions in the same sequence as numbered to assure fast & easy assembly.



WARNING!

1. Don't attempt to repair or modify parts that are broken or defective. Please contact the store immediately.
2. This product is for home use only and not intended for commercial establishments.



ASSEMBLY TIME

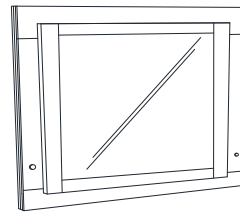
10 MINUTES

PARTS IDENTIFICATION

A

MIRROR

1PC



B

DRESSER

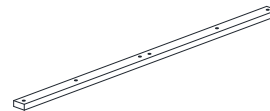
1PC



C

MIRROR SUPPORT
(PACK WITH DRESSER)

2PCS



D

ADAPTER PLUG

1PC



HARDWARE IDENTIFICATION

1

FLAT HEAD SCREW
(M4 x 32mm - RBW)

10PCS

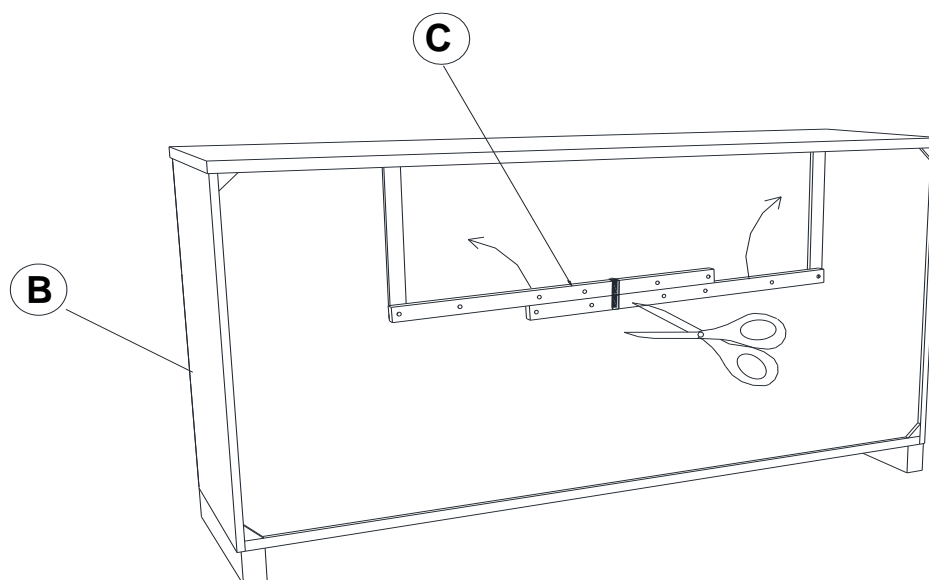


NOTE:

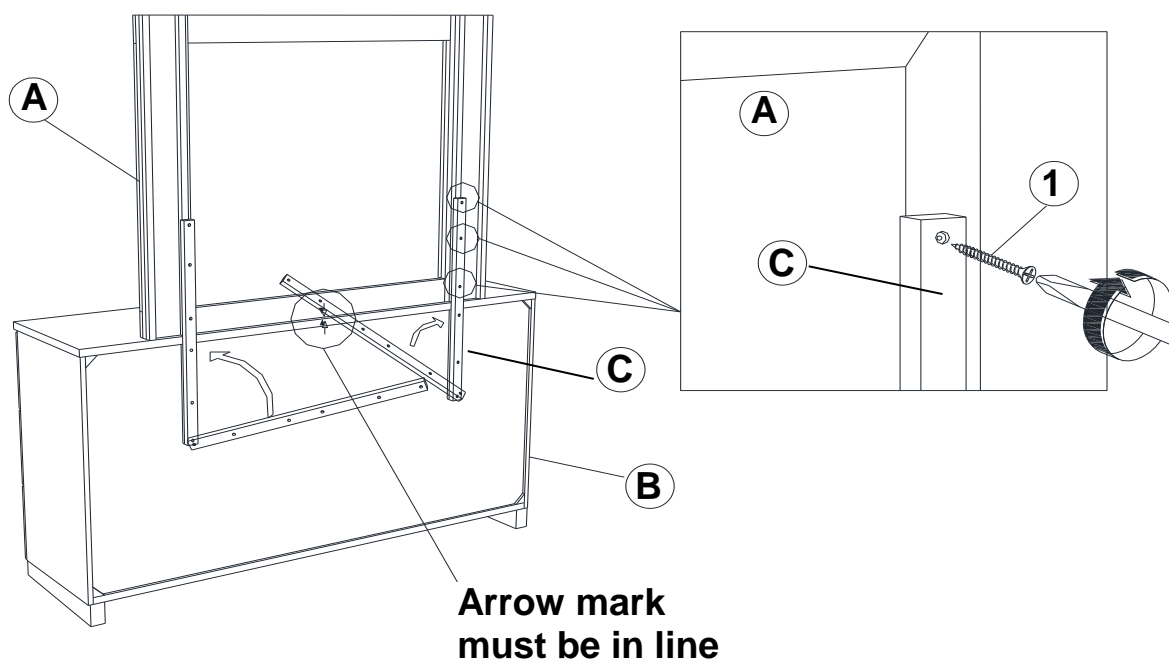
Phillips head screw driver is required in the assembly process; however, manufacturer does not provide this item.

ASSEMBLY INSTRUCTIONS

STEP 1



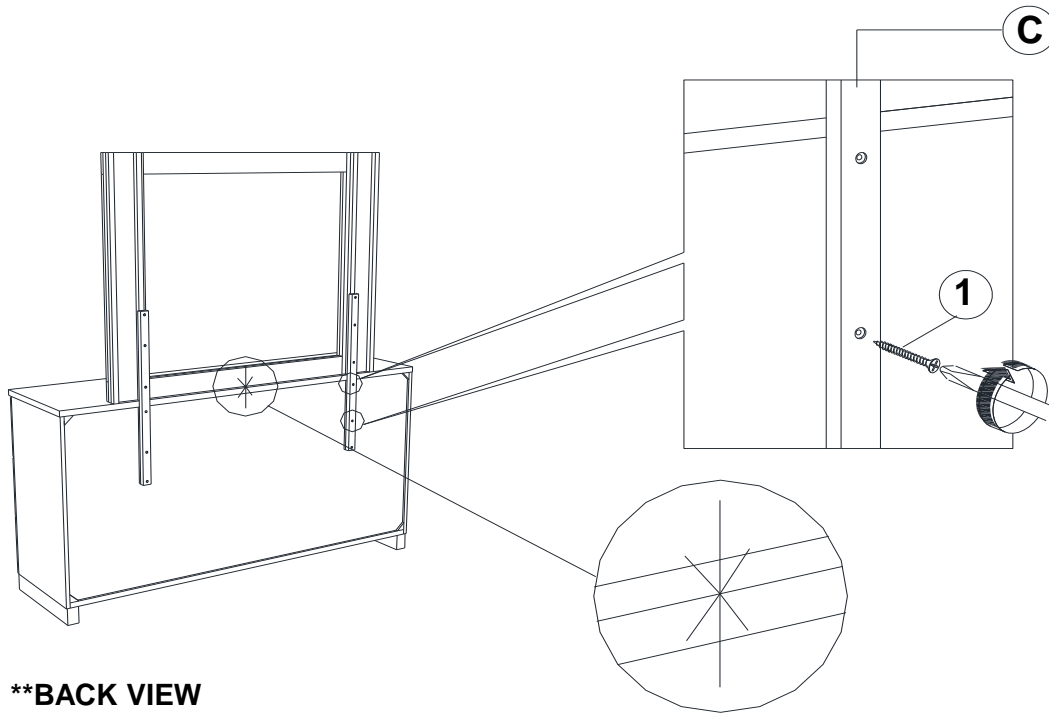
STEP 2



**BACK VIEW

ASSEMBLY INSTRUCTIONS

STEP 3

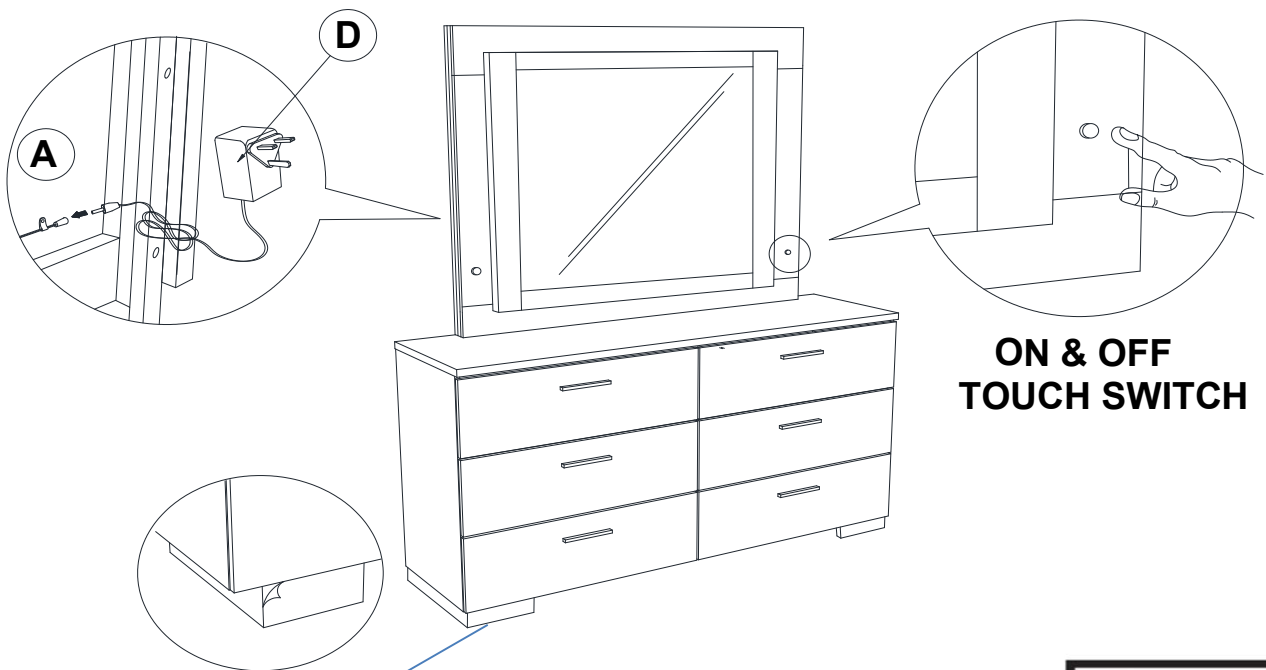


****BACK VIEW**

Arrow Marking Must Be Aligned

STEP 4

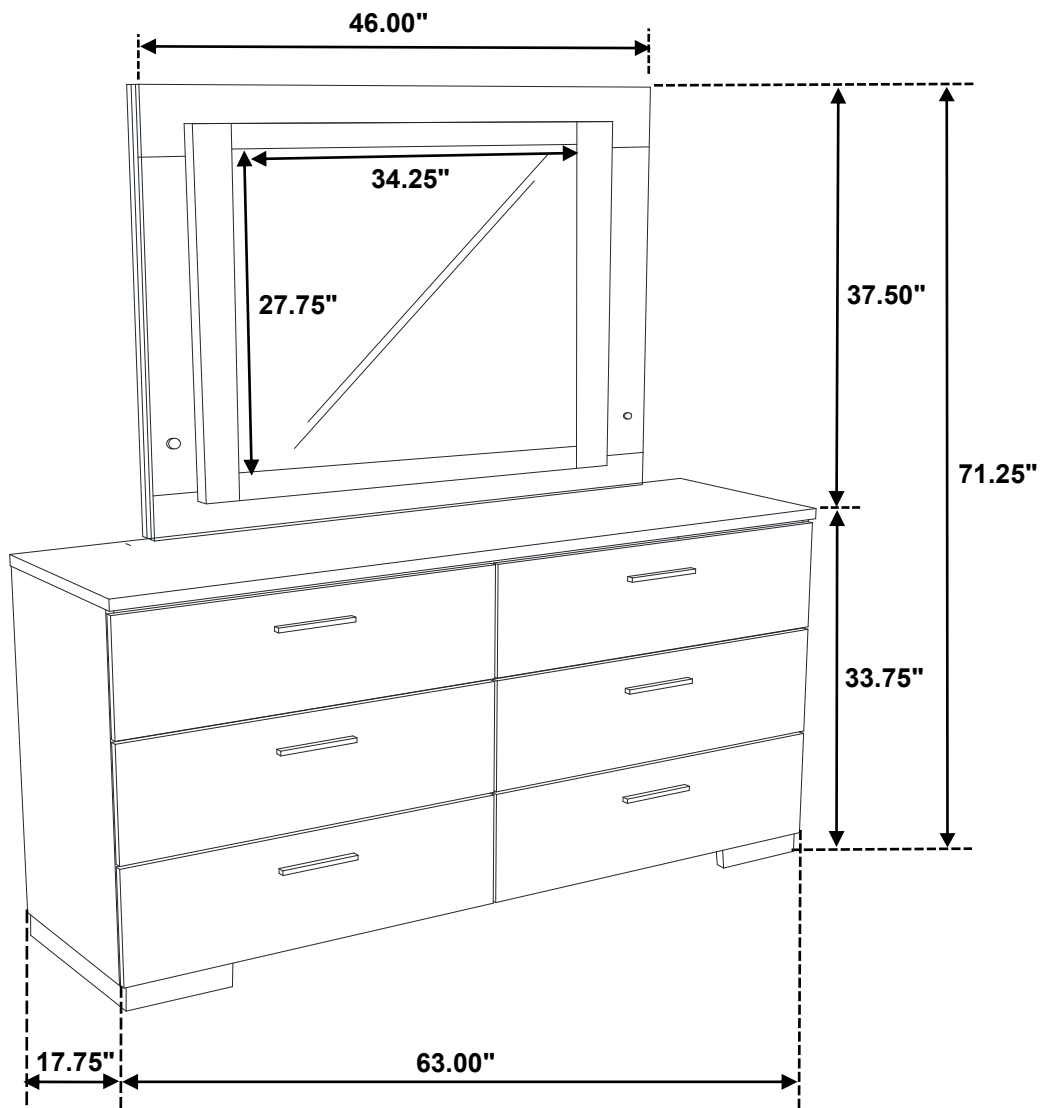
COMPLETE



**ON & OFF
TOUCH SWITCH**

**PLEASE REMOVE THE
PROTECTIVE FILM BEFORE USE**





Note : Dimension tolerance $\pm 5\%$

ASSEMBLY INSTRUCTIONS



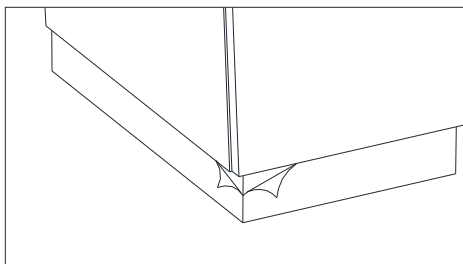
Fine Furniture for every stage of life

Chest

REVISION 0 : 05/16/2014
REVISION 1 : 05/27/2014
REVISION 2 : 07/26/2019

ASSEMBLY INSTRUCTIONS

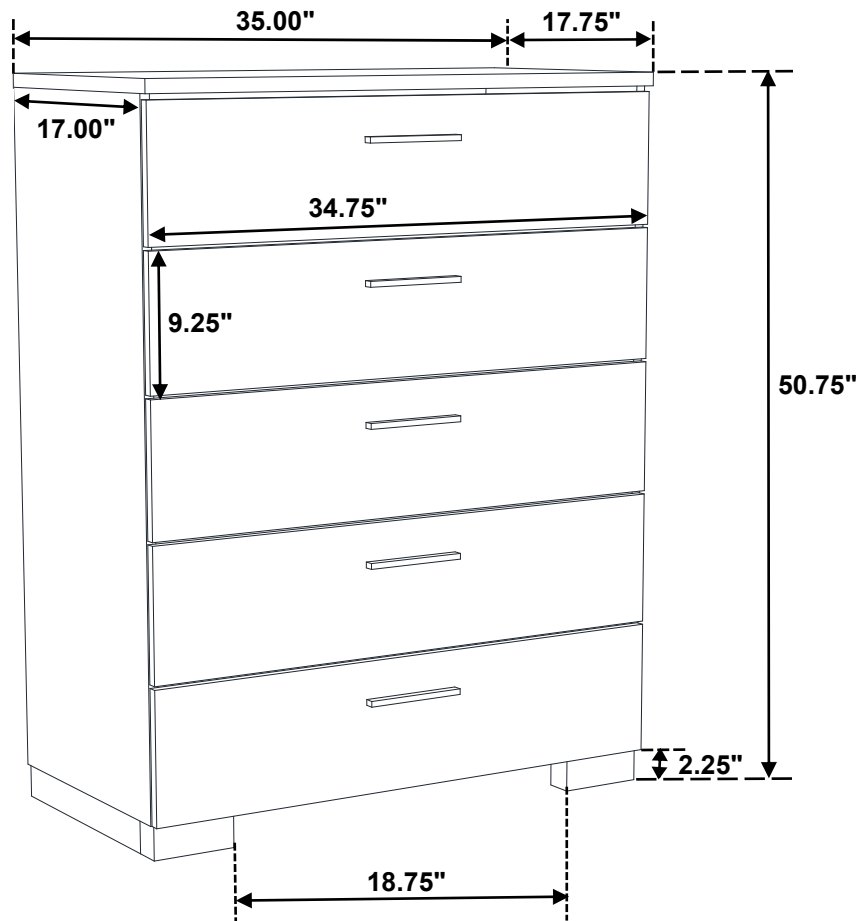
REMOVAL OF PROTECTIVE FILM



**PLEASE REMOVE THE
PROTECTIVE FILM
BEFORE USE**



Inner Size of Drawer : 32.00"W x 12.50"D x 5.00"H x 0.25"T



Note : Dimension tolerance $\pm 5\%$