

WARRANTY

We strive to offer high quality product, and we also try our best to satisfy each customer that orders from us with the best customer services we could.

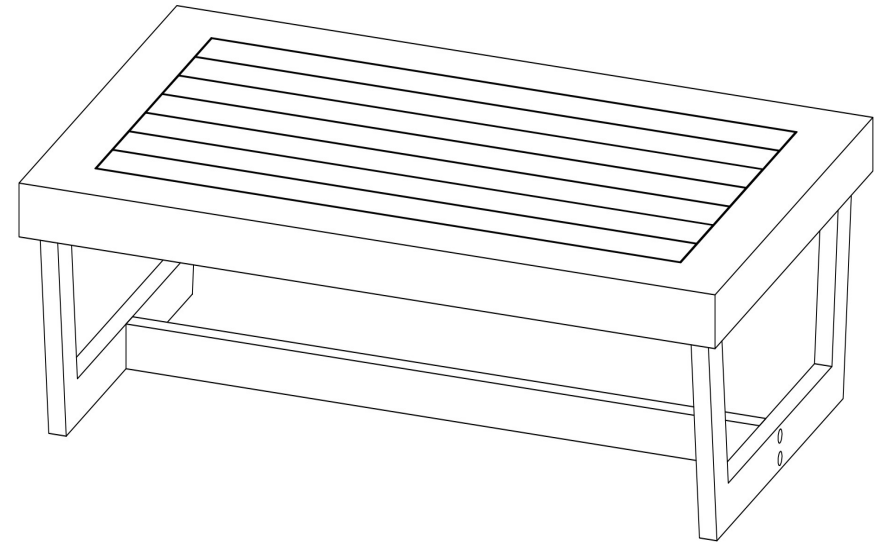
Each customer has a record of their order, such as order numbers, receipts etc. You may still purchase the replacement parts even the warranty has expired, if the product is still available.

If you are having difficulties while using our product or during assembly, please feel free to contact us.

Send us an email with your order number, please describe the problem you are encountering, or attach pictures of the problem, we will respond you as soon as possible.

If you are returning your product, please check the return policy with the retailer, or the website you bought from.

Thank you for shopping from us, we treat every customer as our friend, hope to see you in near future.



COFFE TABLE

NOTE:

This brochure contains IMPORTANT safety info. Please read and keep for future reference.

MAINTAINANCE AND WARNING

- 1. Keep the furniture away from fire
- 2. Keep the furniture away from sharp objects
- 3. DO NOT clean the furniture with irritant chemicals, cleansers or polish. DO NOT use detergents, solvents, abrasives, spray packs or leather cleaner. Please use soap with warm water to clean(1:10 soap to water)
- 4. IF place the furniture direct under sunlight, the pattern or color might fade away
- 5. DO NOT jump on the furniture, for your own safety concerns.
- 6. Packaging and small parts have CHOKING HAZARD, please keep them away from children
- 7. Please follow the instructions to assemble, and use the furniture properly, if you have any questions, Please contact us



Weight Limitation

400LBS

PARTS LIST

A*1

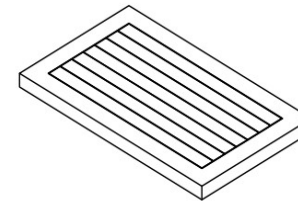
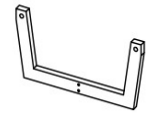


Table board

B*2



Legs

C*1



Transome

HARDWARE and TOOL LIST

①*4



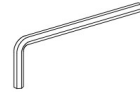
M6*50mm
Bolt

②*4



M6*30mm
Bolt

③*1



Allen key

④*4



Ø15MM
Black Hole Cover

⑤*4

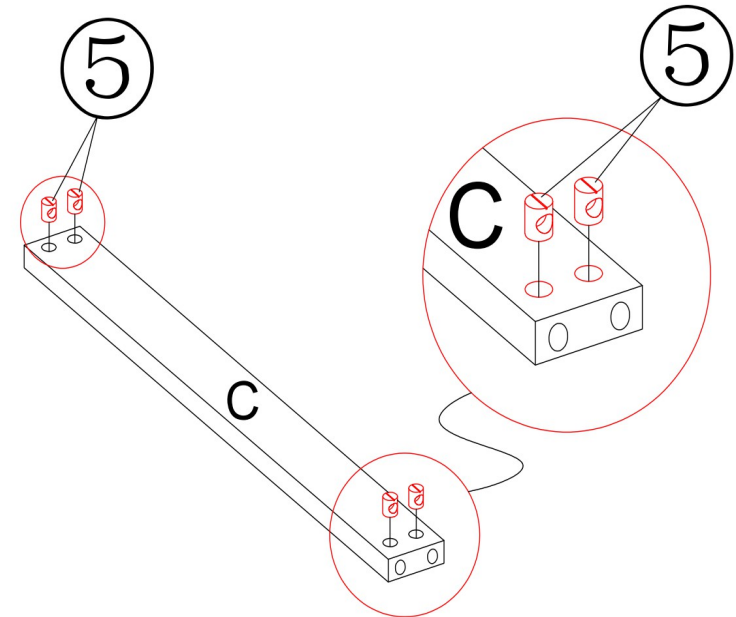


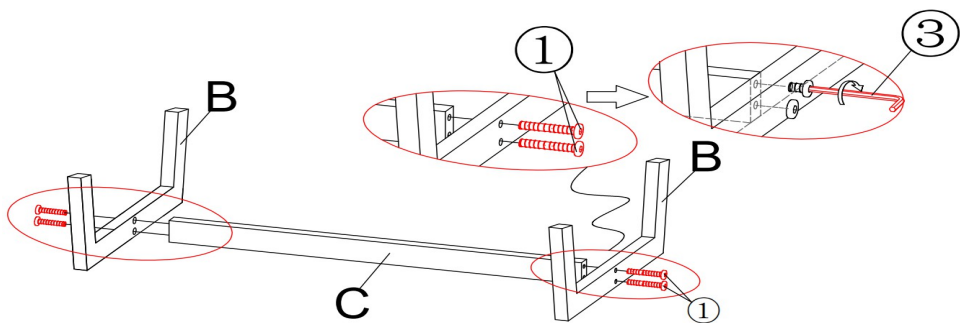
13*10MM
Hammer Nut Screw

* Make sure you have everything in the box before assemble. Be aware of the small parts, do not let children use or touch, CHOKING HAZARD. If anything is missing, please contact us.

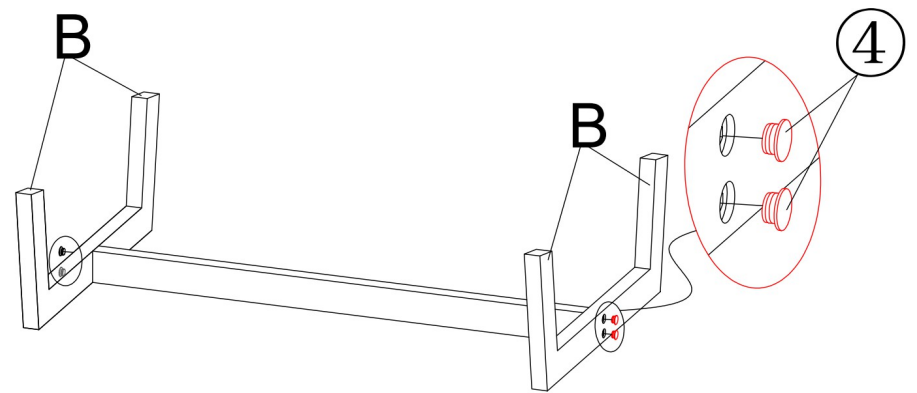
ASSEMBLY INSTRUCTIONS

Step 1: Insert hammer nut screws (5) into the holes on transome (C) as shown, make sure the holes on the hammer nut screws are aligned with the holes on the sides of the transome.

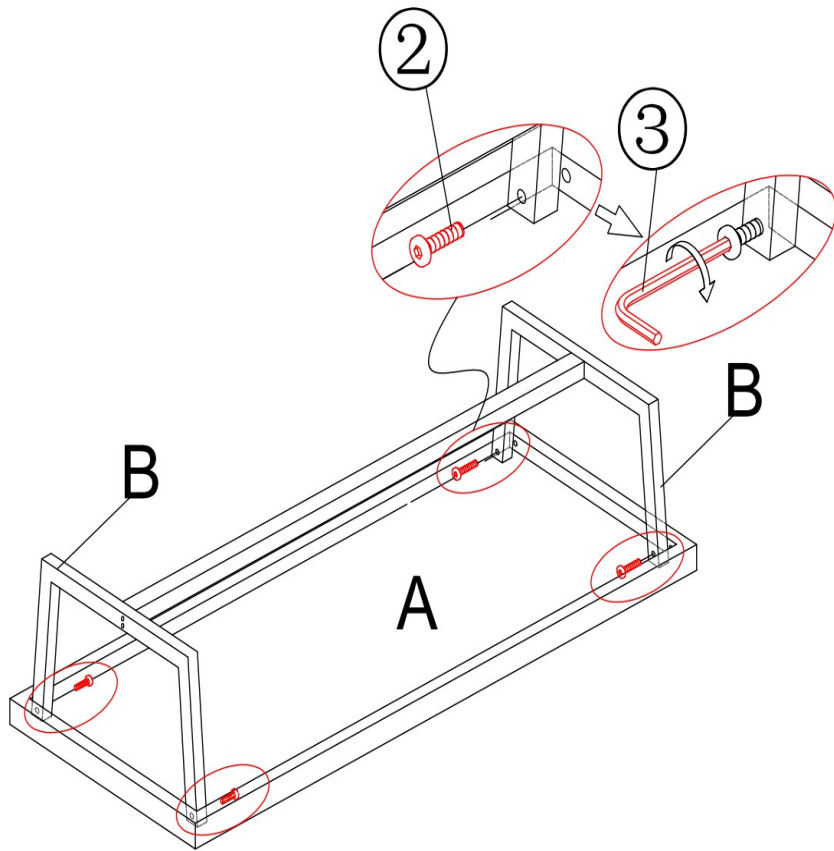




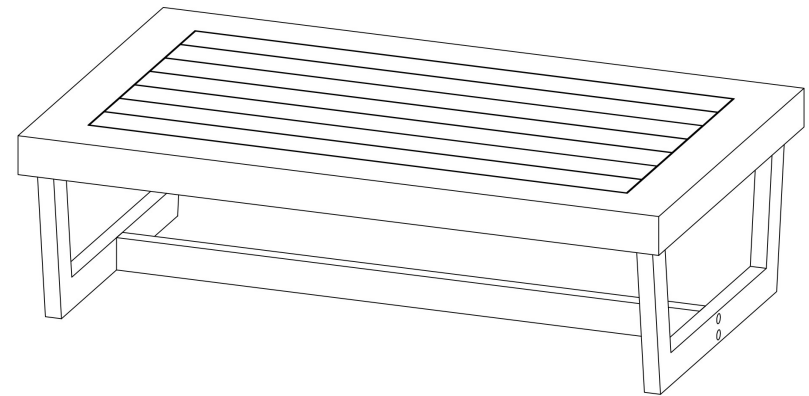
Step 2: Install both of the legs (B) onto the transome (C) with the M6*50 mm bolts (1), use the allen key (3) provided to tighten the bolts as shown.



Step 3: Place the hole covers (4) to the nut holes on legs (B) as shown.



Step 4: Connect the legs (B) with the table board (A) with M6*30 mm bolts (2) using the allen key (3) provided, make sure they are all tighten before using.



Step 5: Assemble complete, thank you for choosing our product, enjoy!