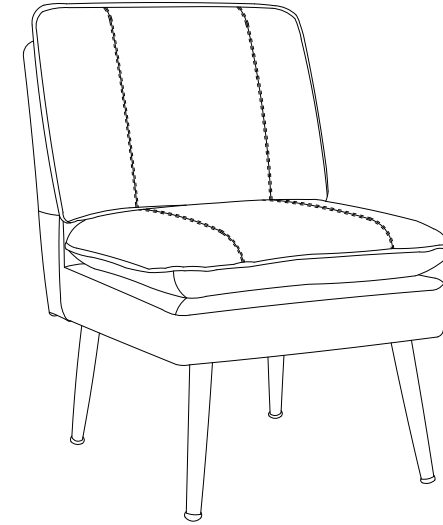


WARRANTY

We strive to offer high-quality products, and we also try our best to satisfy each and every customer that orders from us with product or service as needed. We provide 1 year warranty starting from the time you receive the item. Each customer must provide a record of their order such as the order number, or item receipt for any items that are out of the warranty period, you may also still receive replacement parts by purchasing them with our company if they are available.

Assembly Instructions



NOTE: Please read these instructions carefully before starting assembly

HASSEL-FREE WARRANTY

We proudly provide 1-YEAR warranty.



The assembly will be easier with 2 people while 1 person could also do the job.



Around 10 MIN ASSEMBLY

MAINTAINANCE AND WARNING

- Keep furniture away from heat sources.
- Do not clean furniture with harsh cleaner or polishes. Do not use detergents, Solvents, abrasives, spray packs or leather cleaner. Use non-color mild soap with warm water to clean spills(Mix 1:10 soap to water)
- Do not place furniture under direct sunlight, material will possibly fade over time.
- Do not use on site dry Cleaning machine. Children should not climb or jump on the furniture.
- Do not write on furniture that is not protected by a padded barrier .

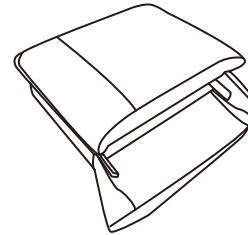


Weight Limitation

250LBS

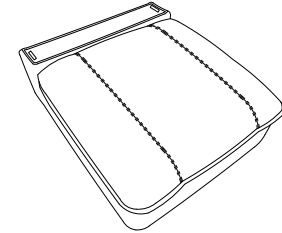
PARTS LIST1

A*1



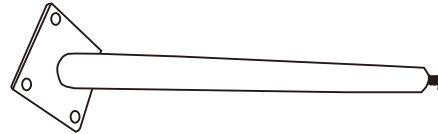
BACK

B*1



SEAT

C*4



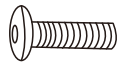
LEGS

HARDWARE

LIST

①*16

M6*20



Bolt

②*1

M6

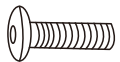


Allen Key

SPARE

①*1

M6*20



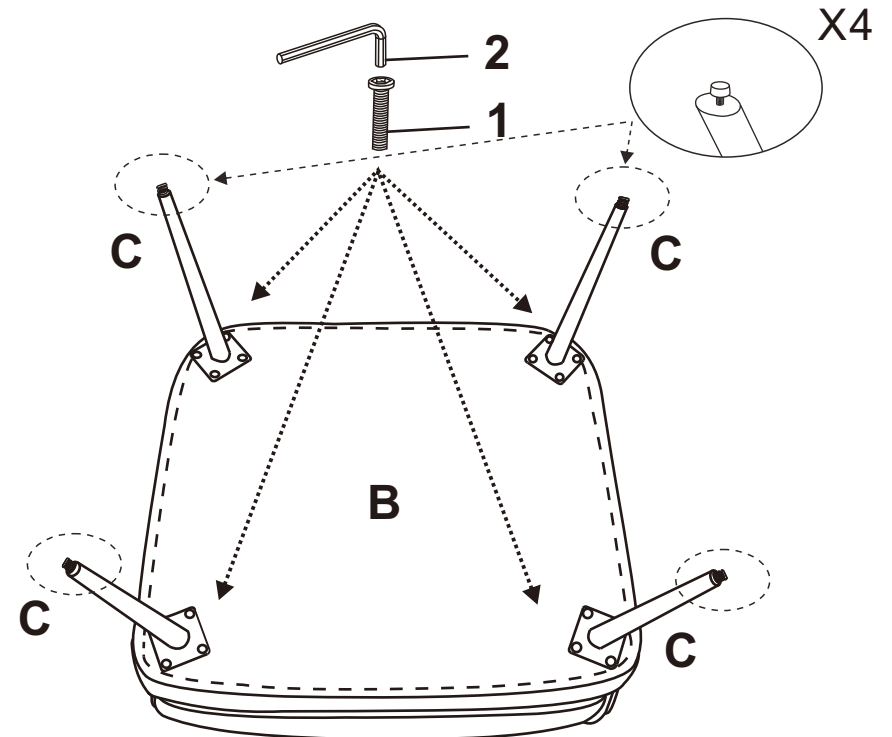
Bolt

Be sure to inspect all packing material carefully for small parts, that may have come loose inside the carton during shipment.

AMMEMBLY

INSTRUCTION

STEP 1:



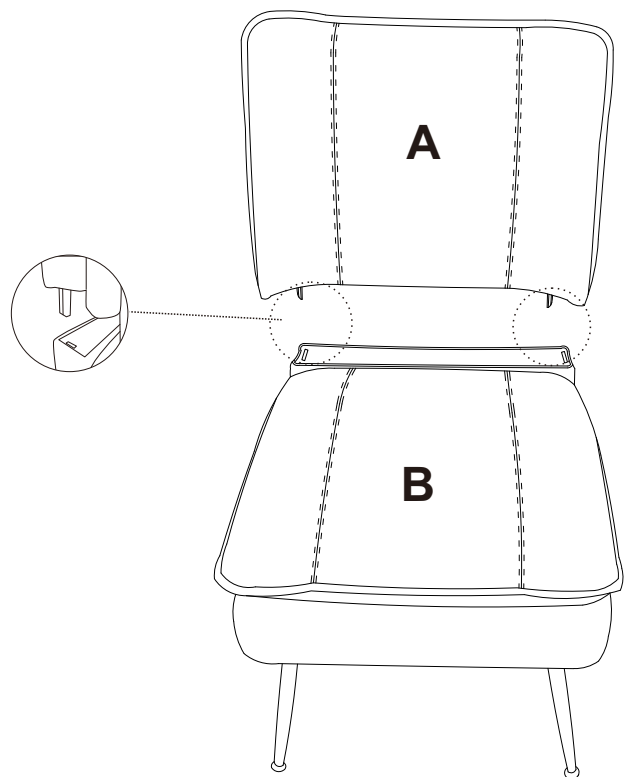
Using bolts (1) with provided Allen Key(2) to assemble legs(C) as picture show.

Legs with the adjustable foot pads, adjust them in case uneven.

AMMEMBLY

INSTRUCTION

STEP2:

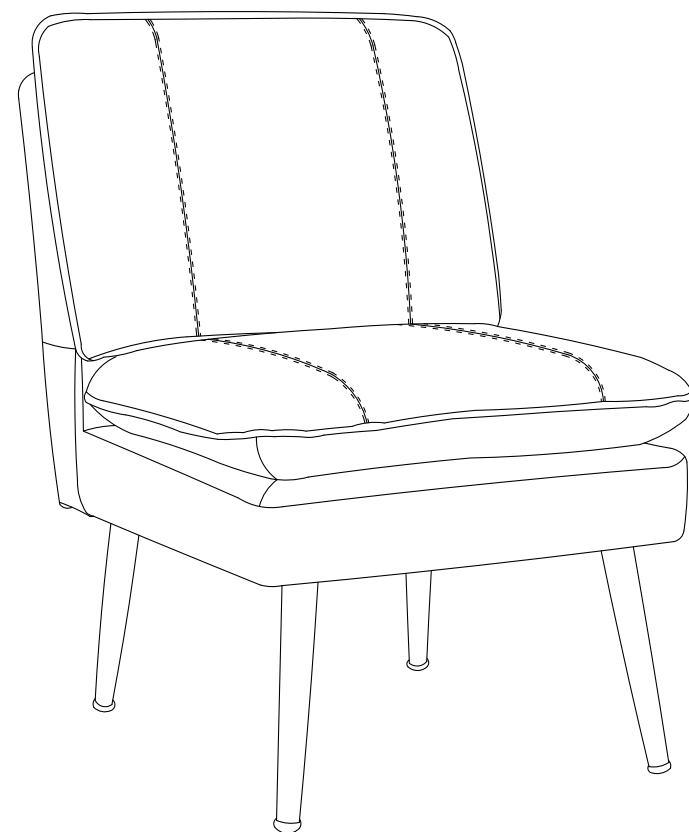


Insert backrest (A) to seat (B).

AMMEMBLY

INSTRUCTION

STEP3:



Assemble finished.

Legs with the adjustable foot pads, adjust them in case uneven.