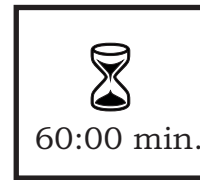
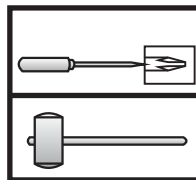
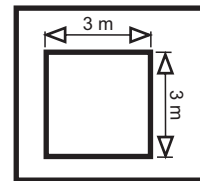
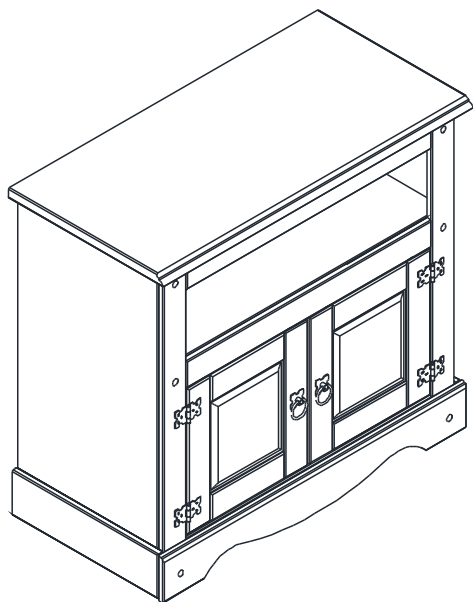
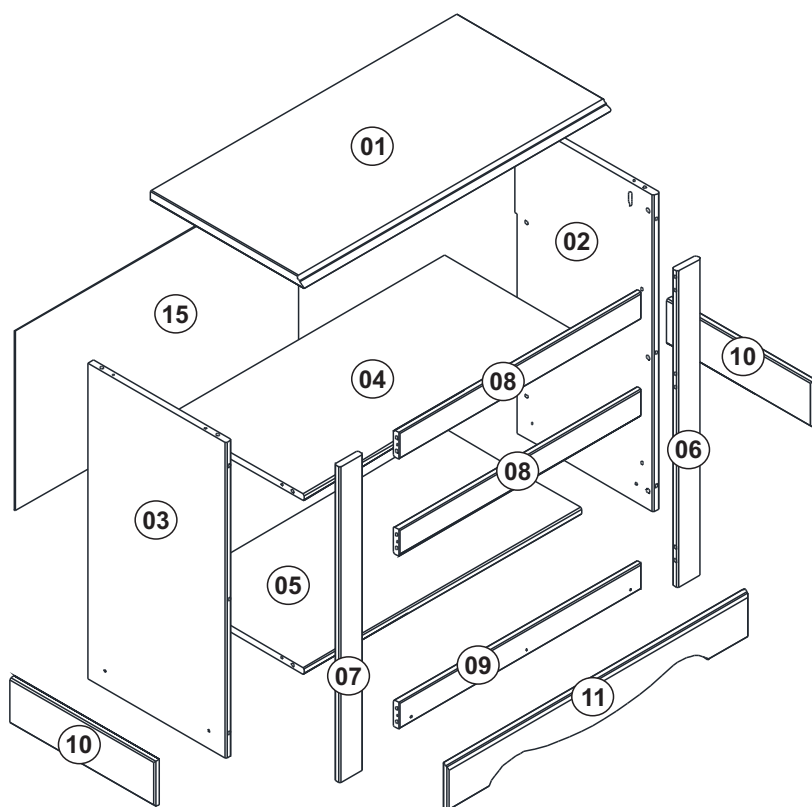


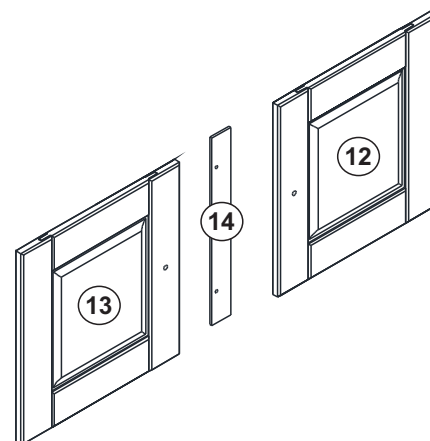
TV UNIT



- Please check that all fittings are correct before assembling the item.
- Replacement parts can be supplied for any damages to the item.
- Please keep all packaging until the item is assembled as we will require information from this if replacement parts are required.



Width = 85cm
Depth = 42,5cm
Height = 77,6cm



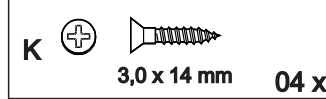
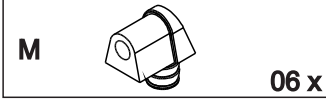
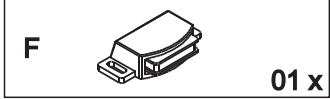
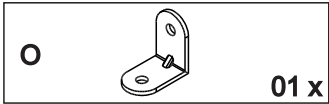
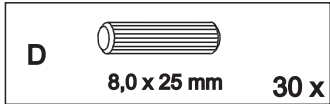
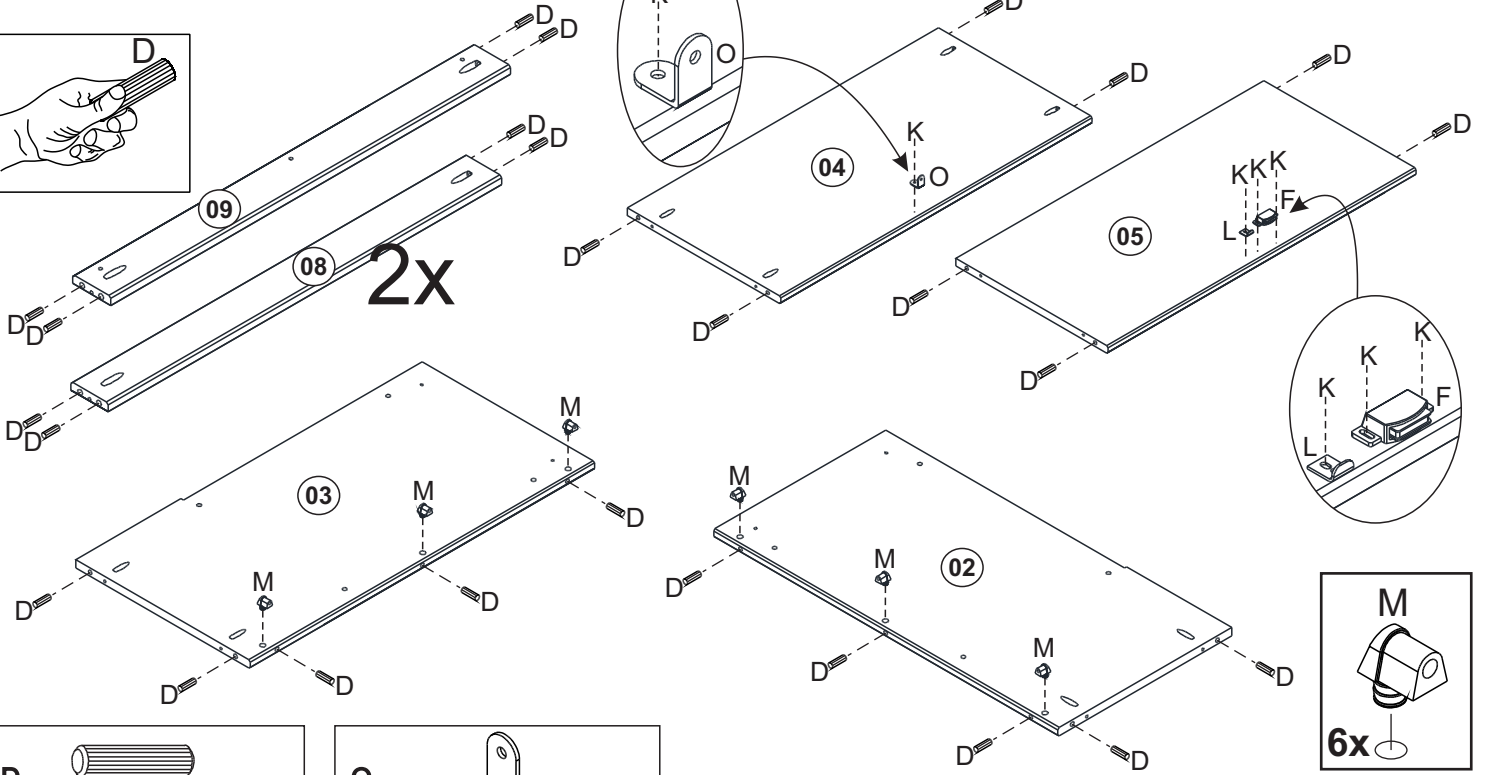
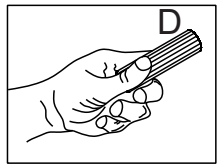
A		02 x
B	3,5 x 30 mm	18 x
C	3,5 x 14 mm	24 x
D	8,0 x 25 mm	30 x

E	8 x 8	20 x
F		01 x
G		01 x
H		06 x

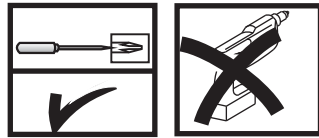
I		04 x
J		02 x
K	3,0 x 14 mm	09 x
L		01 x

M		06 x
N	4,0 x 25 mm	13 x
O		01 x
Y		01 x

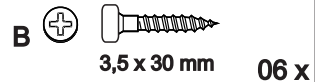
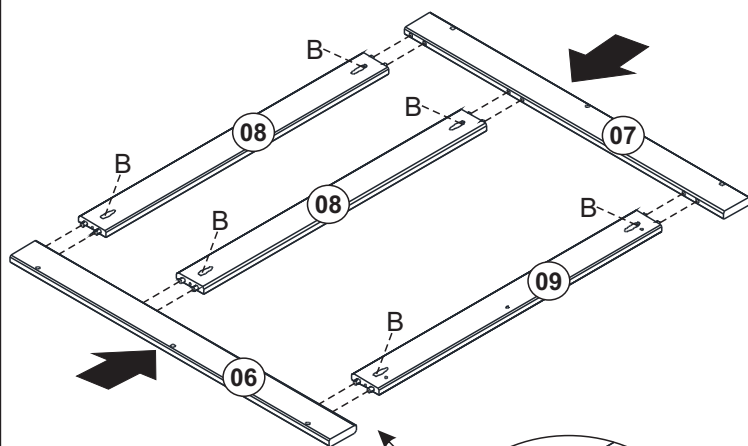
01



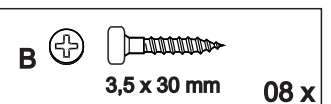
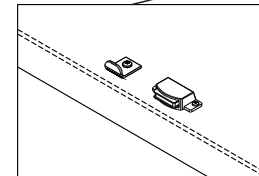
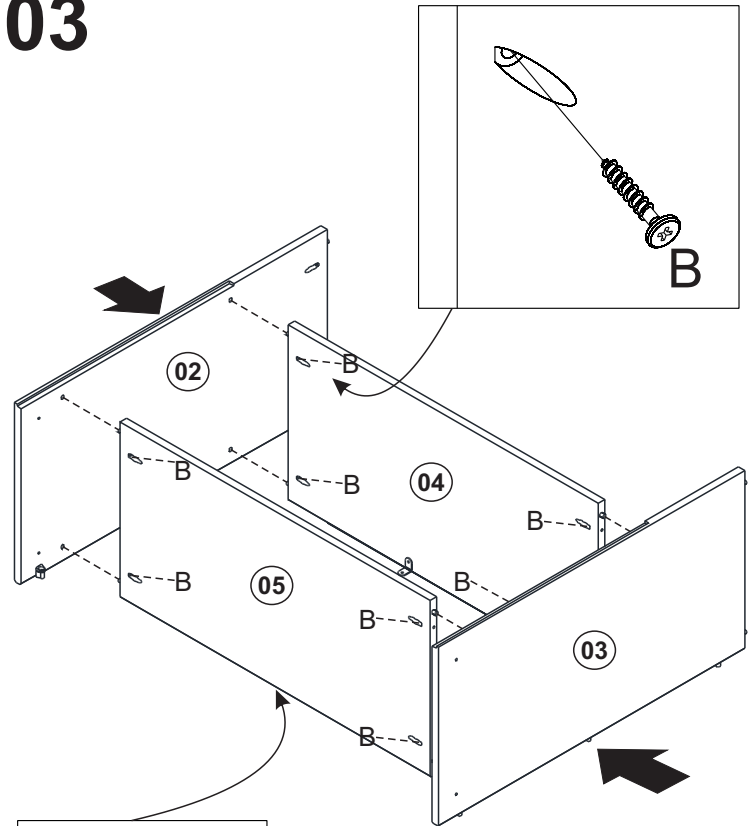
02



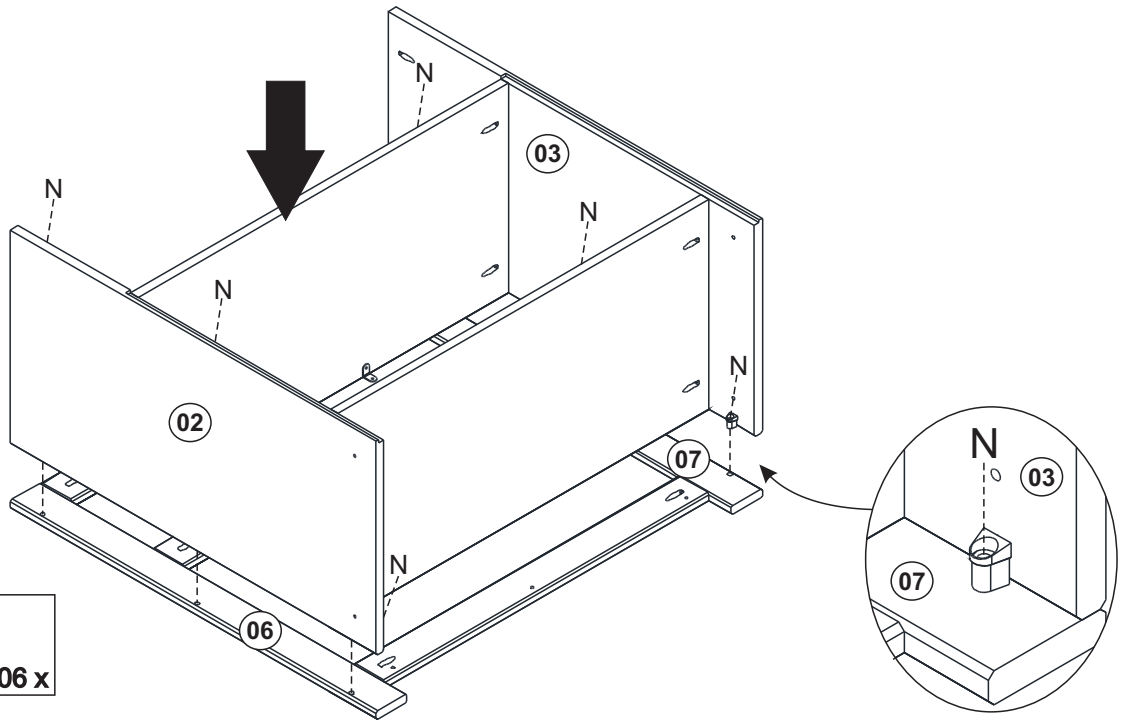
ASSEMBLE ON A PLAIN SURFACE




03

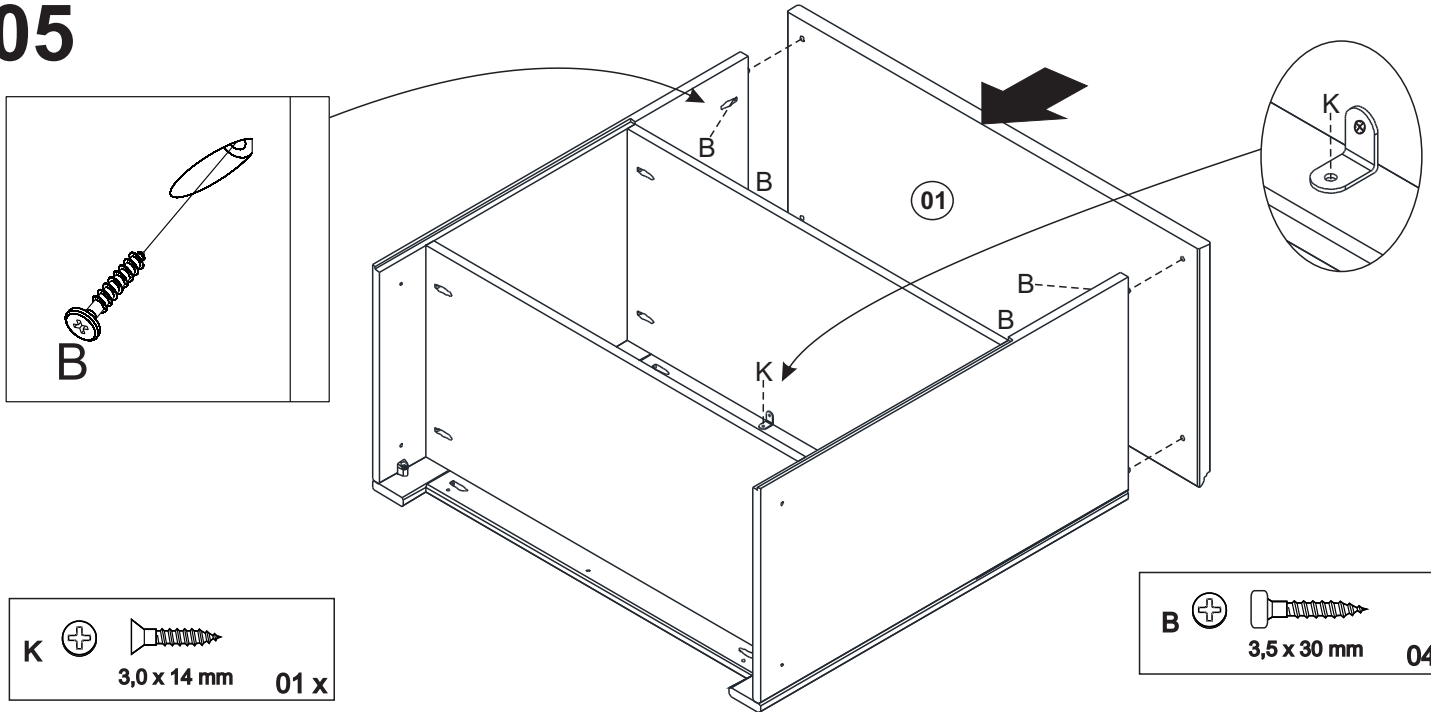



04




N  4,0 x 25 mm 06 x

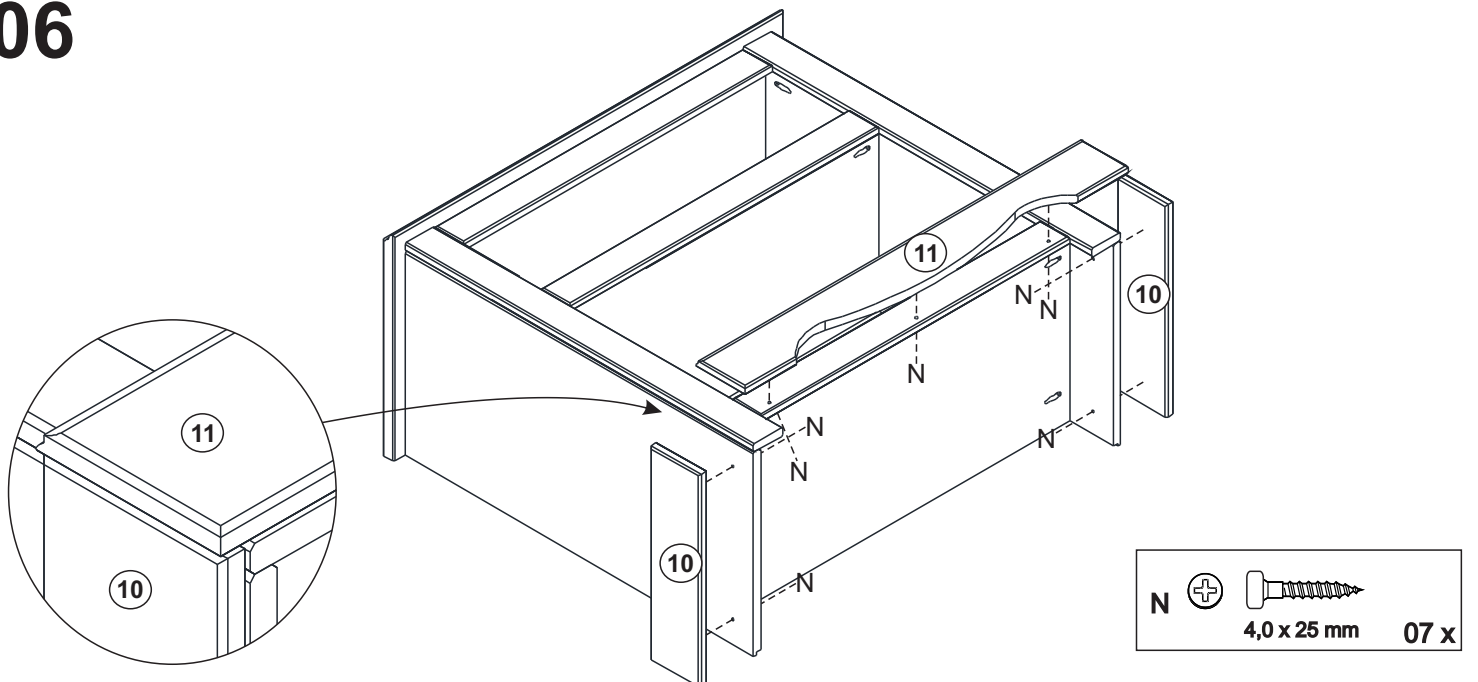
05




K  3,0 x 14 mm 01 x

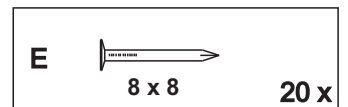
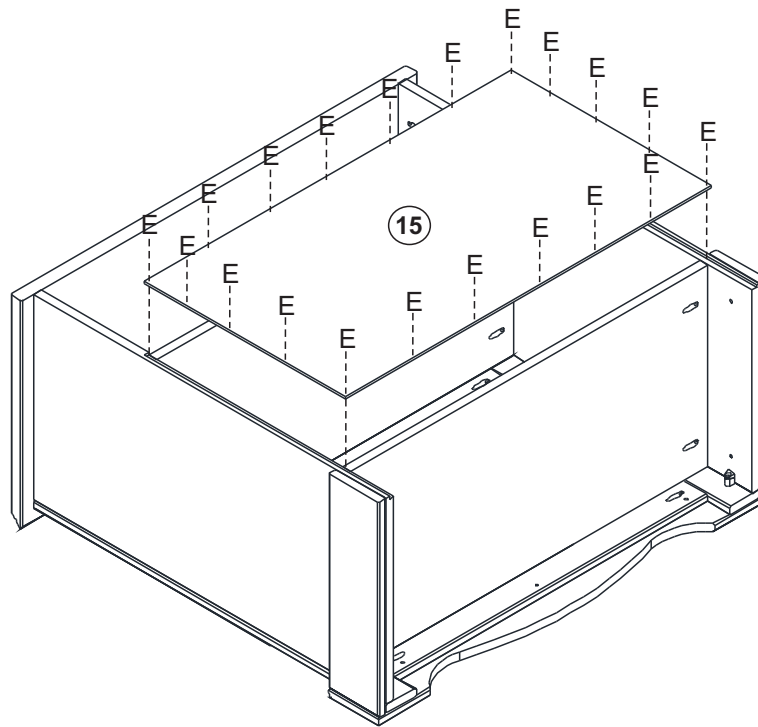
B  3,5 x 30 mm 04 x

06

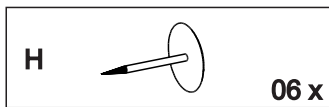
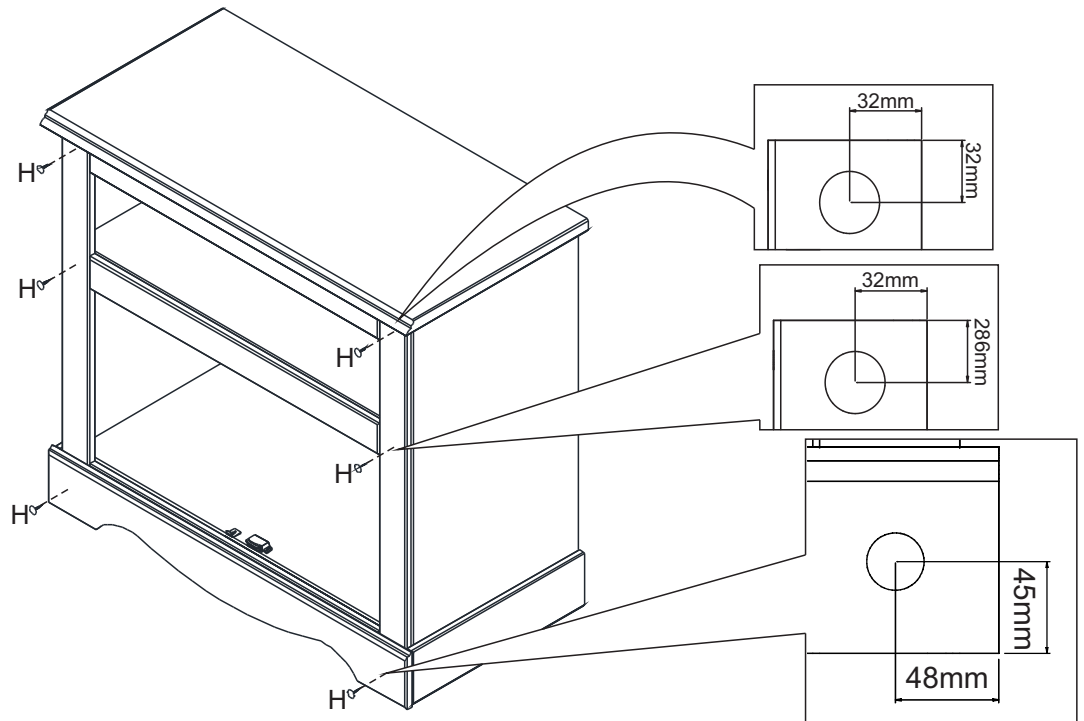


N  4,0 x 25 mm 07 x

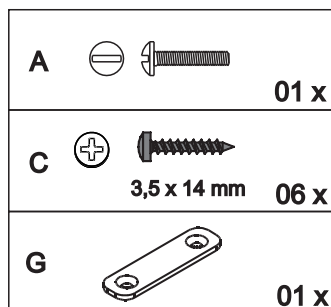
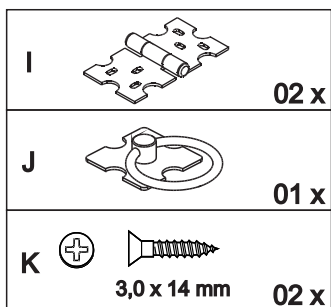
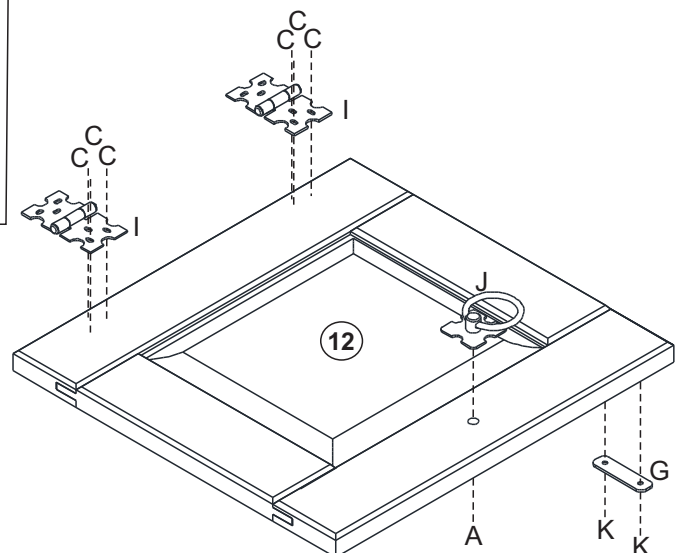
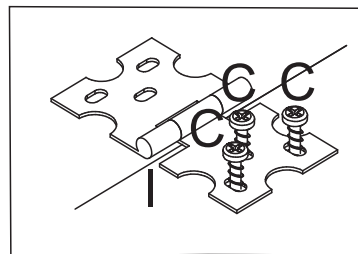
07



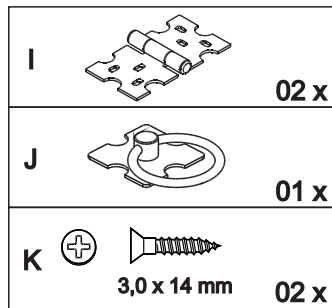
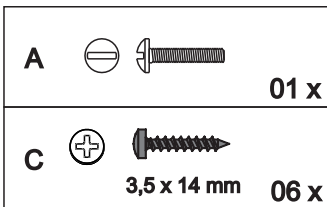
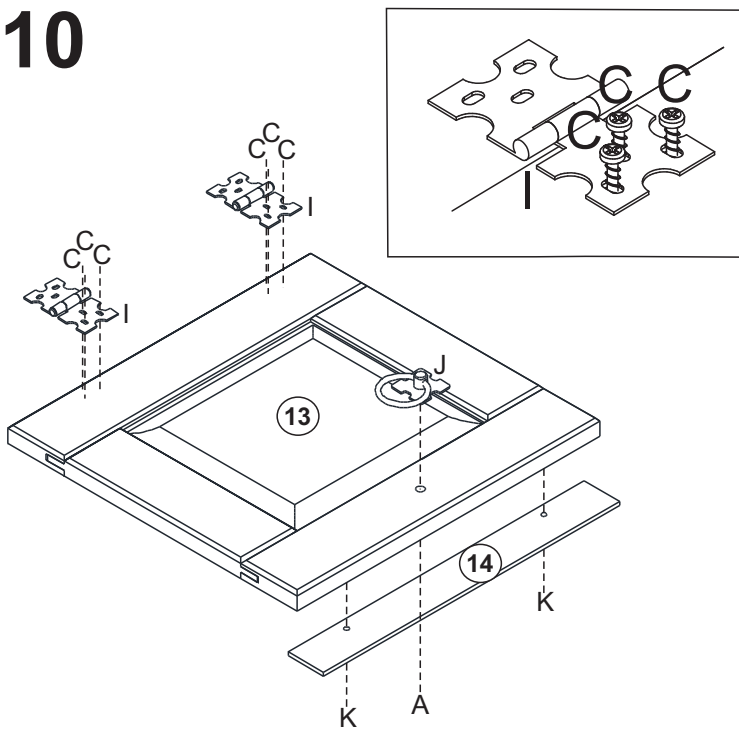
08



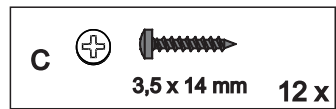
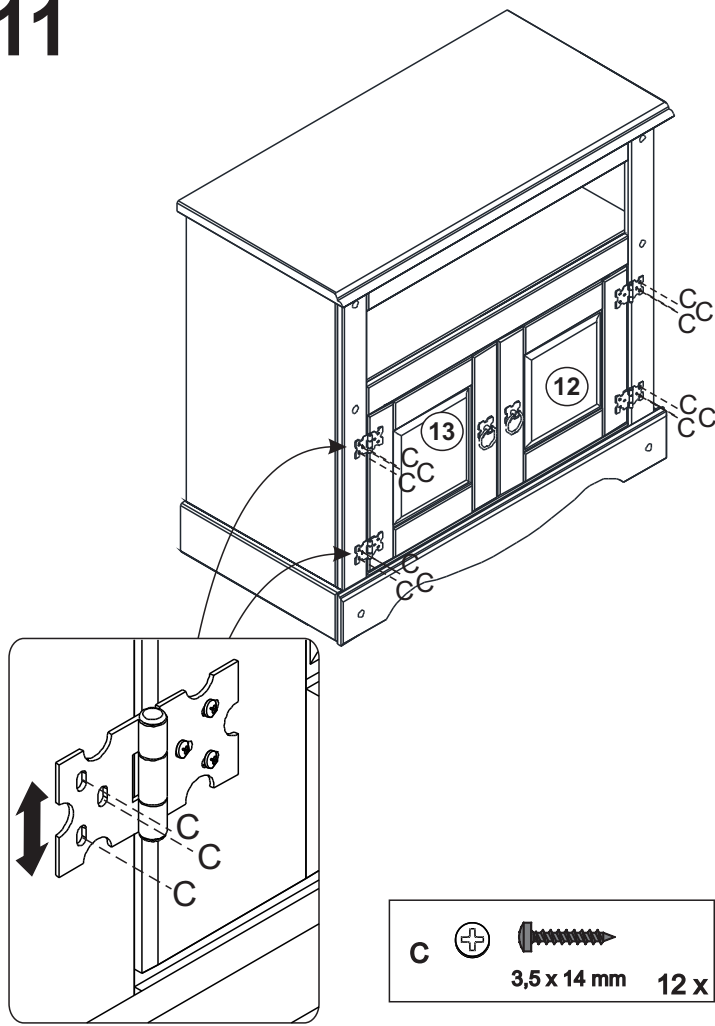
09



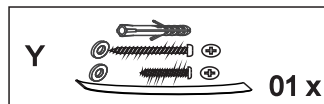
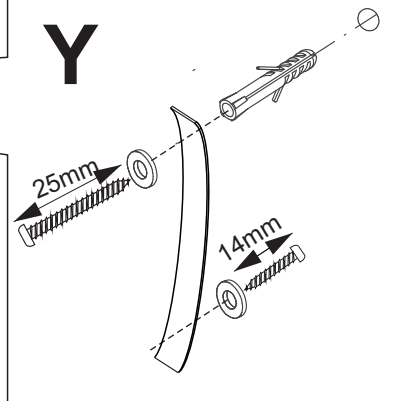
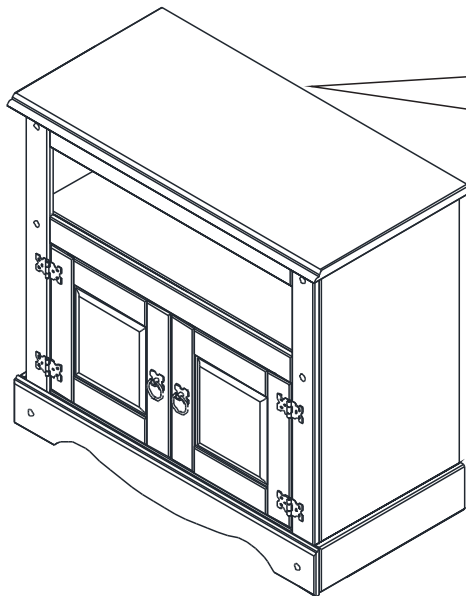
10



11



12



WARNING: CHECK FOR HIDDEN PIPES AND CABLES BEFORE DRILLING.

IMPORTANT: IF YOUR WALLS ARE NOT SOLID LIKE BRICK OR STONE, YOU WILL REQUIRE SPECIALIST FITTINGS (NOT SUPPLIED).

- Place fixing strip against the wall and mark position for drilling hole.
- Drill hole in your wall to a depth of 30mm using a 6mm drill bit. If the surface of your wall is soft and crumbly, we would advise you to use a 5mm drill bit for a tighter fit.
- Insert plug into hole with end flush to the wall surface.
- Attach fixing strip to the wall using the 25mm screw + washer and securely tighten.
- Pre-drill small pilot hole on the back edge of the furniture top using a 2mm drill bit. Attach the other end of fixing strip to the back edge of the furniture top using the 14mm screw + washer and securely tighten.