

Installation guide for  
*Guide d'installation pour*

dals

1 877 430 1818  
www.dals.com

**VELA**

VAN002-CC-22 / 46



ICES-005  
NMB-005



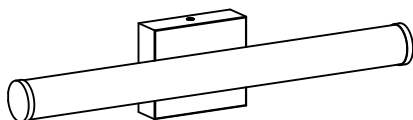
\*Works with most dimmers. Refer to DAL'S website for dimmer compatibility list.

\*Fonctionne avec la plupart des gradateurs. Voir le site web DAL'S pour la liste de gradateurs compatibles.

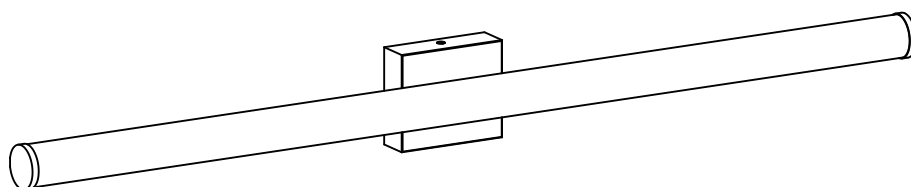
**ITEMS INCLUDED IN THE BOX /  
ARTICLES INCLUS DANS LA BOÎTE**

1

VAN002-CC-22



VAN002-CC-46



1x LED light  
1x Luminaire DEL

2



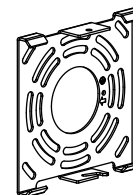
5x Wire connectors  
5x Marrettes

3



4x Mounting screws  
4x Vis de montage

4



1x Mounting plate  
1x Plaque de montage

**WARRANTY:**

DALS offers a 5 year warranty from the date of purchase which covers repairs or replacements of defective parts of the housing, optics, and electronics.

**GARANTIE:**

DALS offre une garantie de 5 ans à partir de la date d'achat qui couvre la réparation ou le remplacement des pièces du boîtier, des pièces optiques et électroniques défectueuses.

dals

**CUSTOMER SERVICE:**

1 877 430-1818  
info@dals.com

**SERVICE À LA CLIENTÈLE:**

1 877 430-1818  
info@dals.com



## BEFORE YOU START

**BEFORE STARTING INSTALLATION, SHUT THE LINE FEED POWER OFF USING THE CIRCUIT BREAKER.**

Instructions pertaining to a risk of fire, electric shock or injury to persons. Installation must be done according to local electrical codes. Installation should be done by a certified electrician.

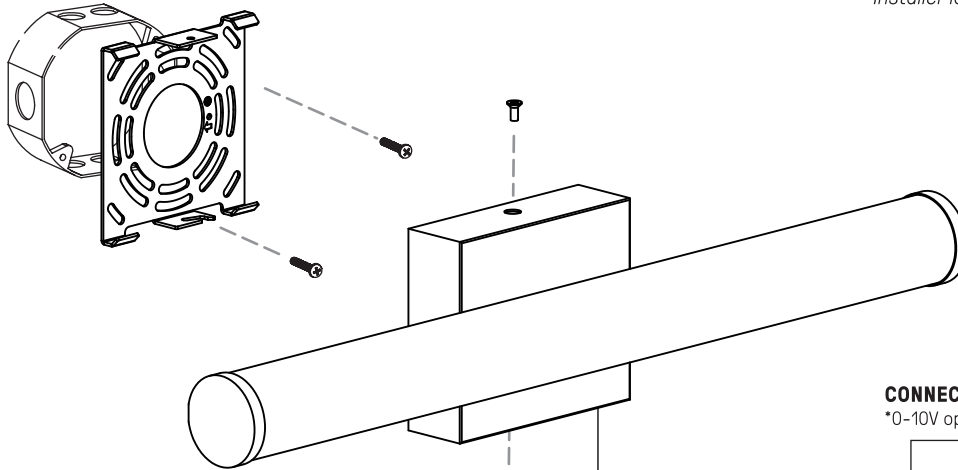
## AVANT DE COMMENCER

**AVANT DE DÉBUTER L'INSTALLATION, COUPER L'ALIMENTATION DU FIL DU SECTEUR À L'AIDE DU DISJONCTEUR.**

Ces instructions se rapportent à un risque d'incendie, de chocs électriques ou de blessures corporelles. L'installation doit être effectuée conformément aux codes électriques locaux. L'installation devrait être effectuée par un électricien qualifié.

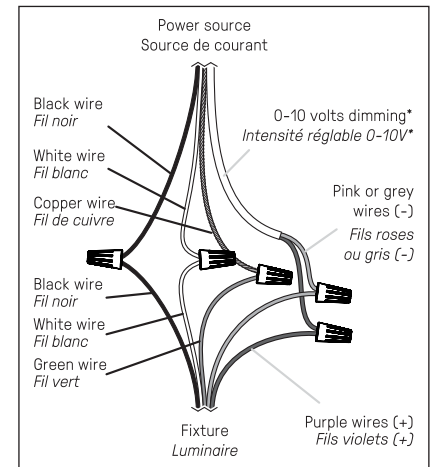
## INSTALLATION

- 1 Fix the mounting plate on the electrical box.  
*Installer la plaque de montage sur la boîte électrique.*
- 2 Do the electrical connections.  
(see connection details)  
*Faire les connexions électriques.  
(voir détails connexions)*
- 3 Set the light color temperature and select the desired wattage.  
*Régler la température de couleur de l'éclairage et sélectionner le wattage désiré.*
- 4 Install the fixture on the mounting plate.  
*Installer la fixture sur la plaque de montage.*



## CONNECTION DETAILS / DÉTAILS DE CONNEXION

\*0-10V optional wiring / Branchement optionnel 0-10V



## FCC STATEMENT

1. This device complies with Part 15 of the FCC Rules. Operation is subject to the following two conditions:  
(1) This device may not cause harmful interference, and  
(2) This device must accept any interference received, including interference that may cause undesired operation.
2. Changes or modifications not expressly approved by the party responsible for compliance could void the user's authority to operate the equipment.

This equipment has been tested and found to comply with the limits for a Class B digital device, pursuant to part 15 of the FCC Rules. These limits are designed to provide reasonable protection against harmful interference in a residential installation. This equipment generates, uses and can radiate radio frequency energy and, if not installed and used in accordance with the instructions, may cause harmful interference to radio communications. However, there is no guarantee that interference will not occur in a particular installation. If this equipment does cause harmful interference to radio or television reception, which can be determined by turning the equipment off and on, the user is encouraged to try to correct the interference by one or more of the following measures:

- Reorient or relocate the receiving antenna.
- Increase the separation between the equipment and receiver.
- Connect the equipment into an outlet on a circuit different from that to which the receiver is connected.
- Consult the dealer or an experienced radio/TV technician for help.

## ISED NOTICE

1. This device contains licence-exempt transmitter(s)/receiver(s) that comply with Innovation, Science and Economic Development Canada's licence-exempt RSS(s). Operation is subject to the following two conditions:  
(1) This device may not cause interference.  
(2) This device must accept any interference, including interference that may cause undesired operation of the device.
2. Changes or modifications not expressly approved by the party responsible for compliance could void the user's authority to operate the equipment.

## AVIS ISED

1. Cet appareil contient des émetteurs / récepteurs exempts de licence conformes aux RSS (RSS) d'Innovation, Sciences et Développement économique Canada. Le fonctionnement est soumis aux deux conditions suivantes :  
(1) Cet appareil ne doit pas causer d'interférences.  
(2) Cet appareil doit accepter toutes les interférences, y compris celles susceptibles de provoquer un fonctionnement indésirable de l'appareil.
2. Cet appareil numérique ne dépasse pas les Règlements sur l'Interférence radio par un appareil numérique de classe B stipulés dans les Règlement sur l'Interférence radio d'industrie Canada.