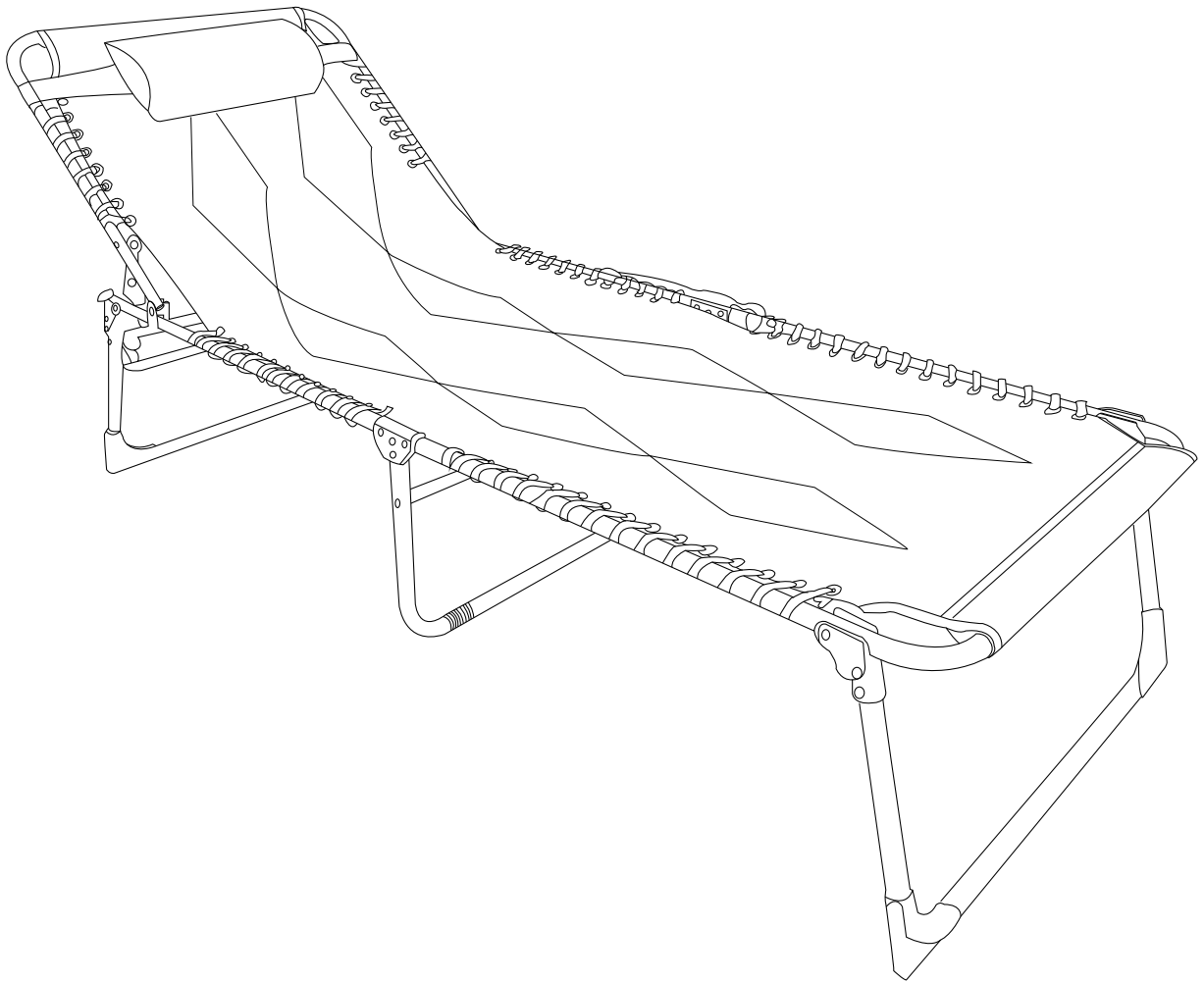


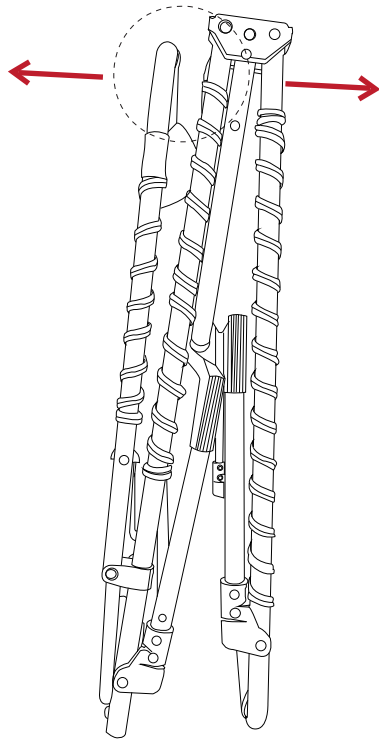
## CAMPING COT



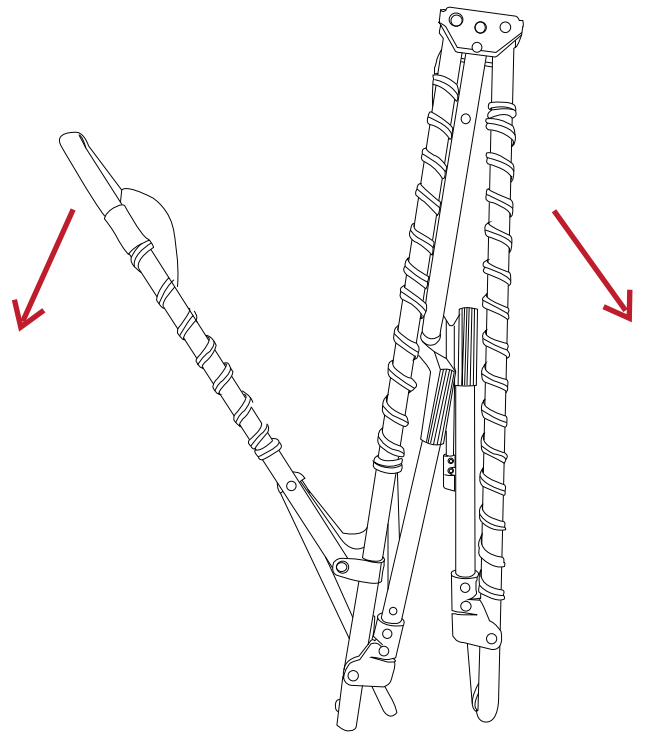
If you have any questions later, please contact us by email:  
[Patiofurniture Serviceteam@outlook.com](mailto:Patiofurniture Serviceteam@outlook.com)

# STEP

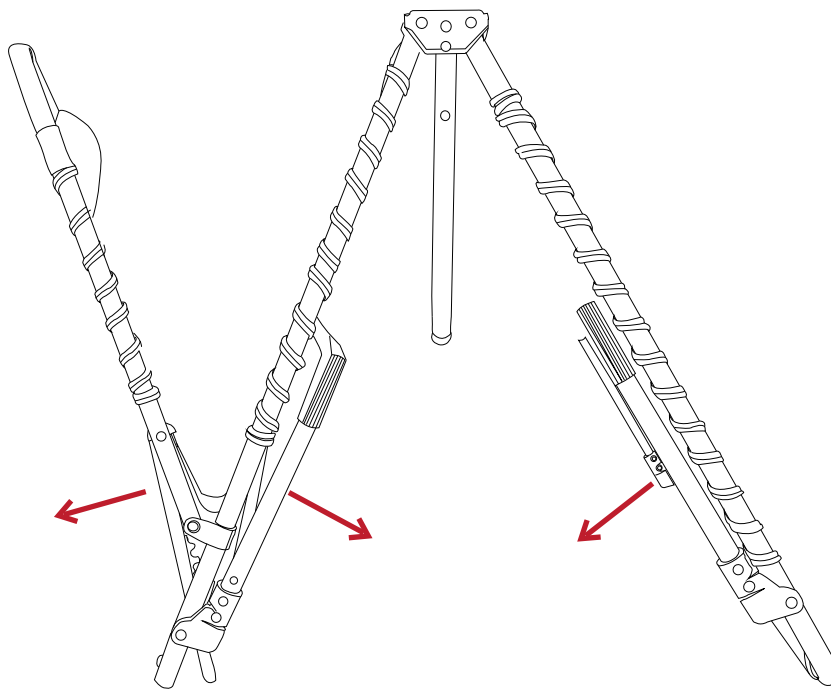
Step1



Step2



Step3

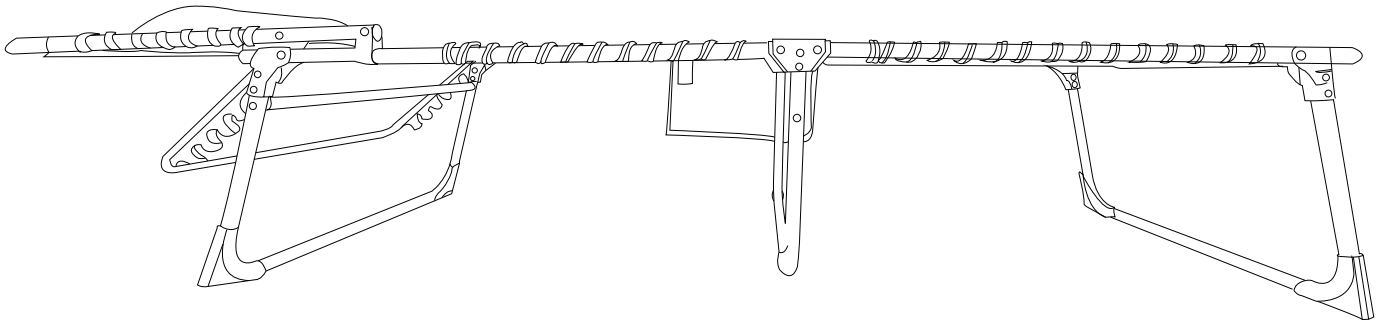


Open the legs and unfold the cot flat

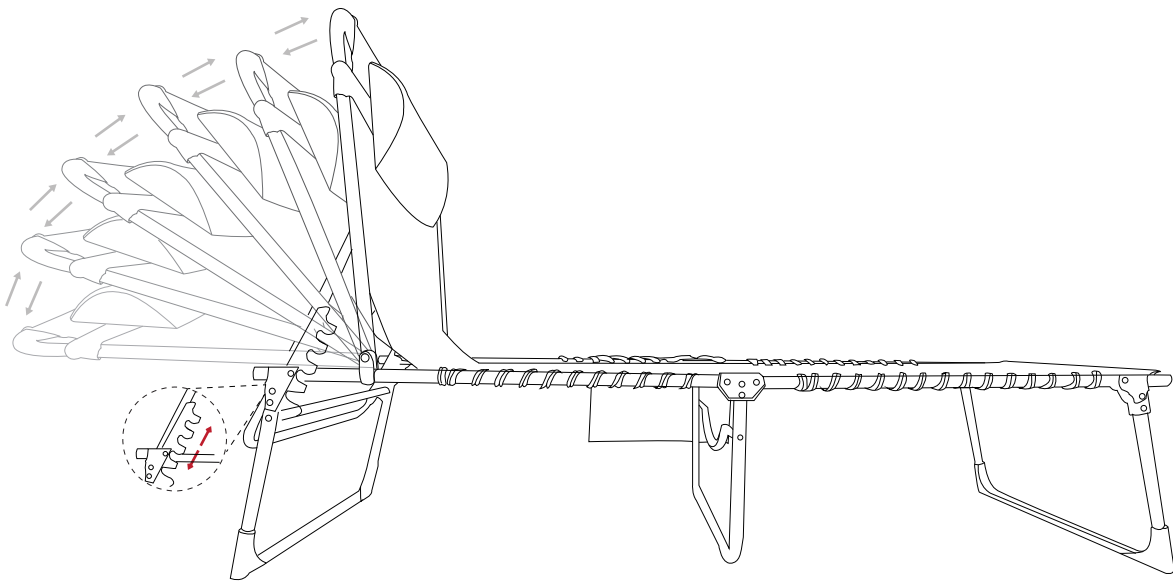
# STEP

## Step 1

Put the cot on the floor



How to adjust the cot to different positions?



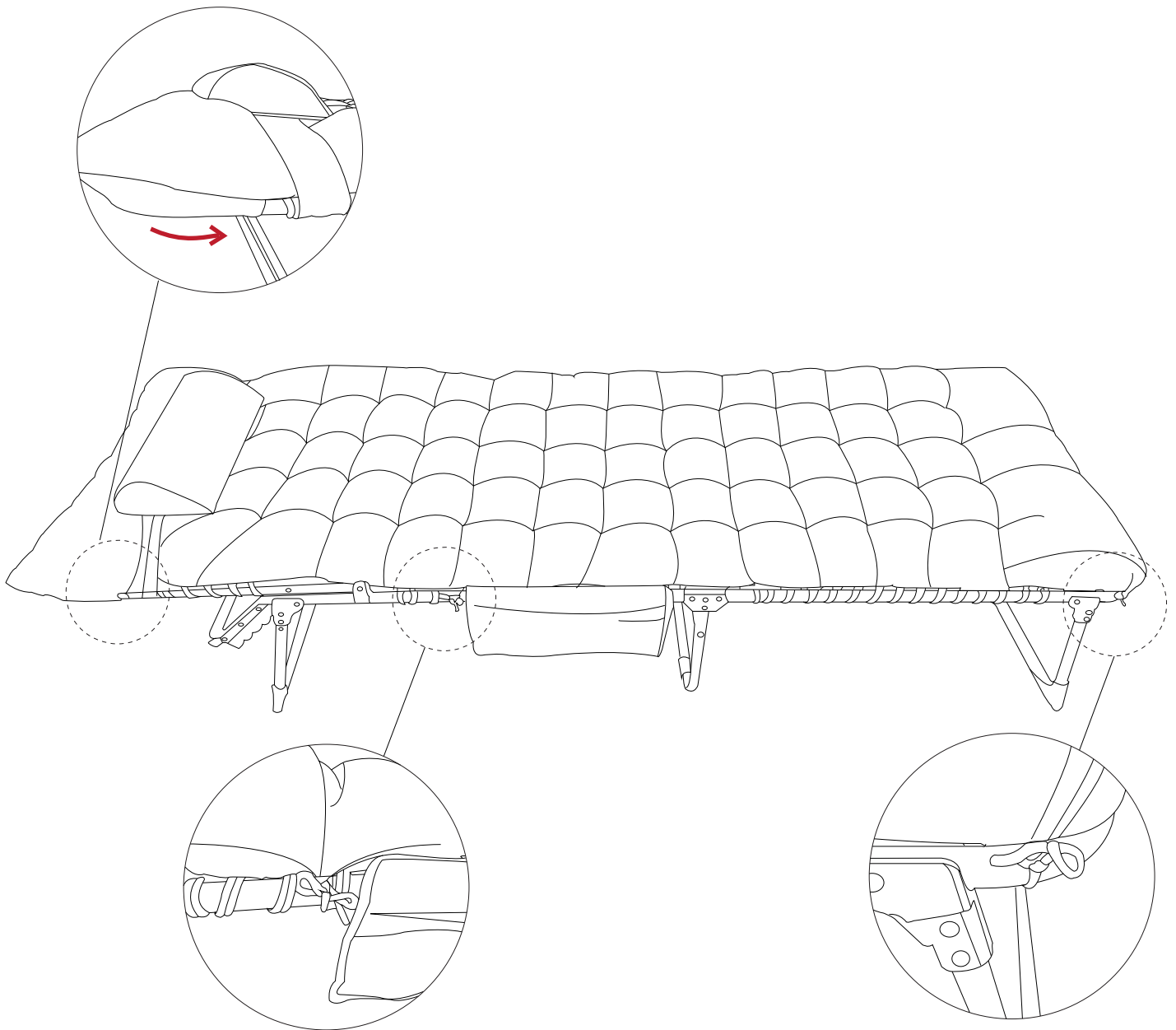
GROUND

The camping cot can be adjusted to 6 different positions. Lift the pillow side to adjust. Make sure it's been locked tight before you sit.

# STEP

## How to use the cushion?

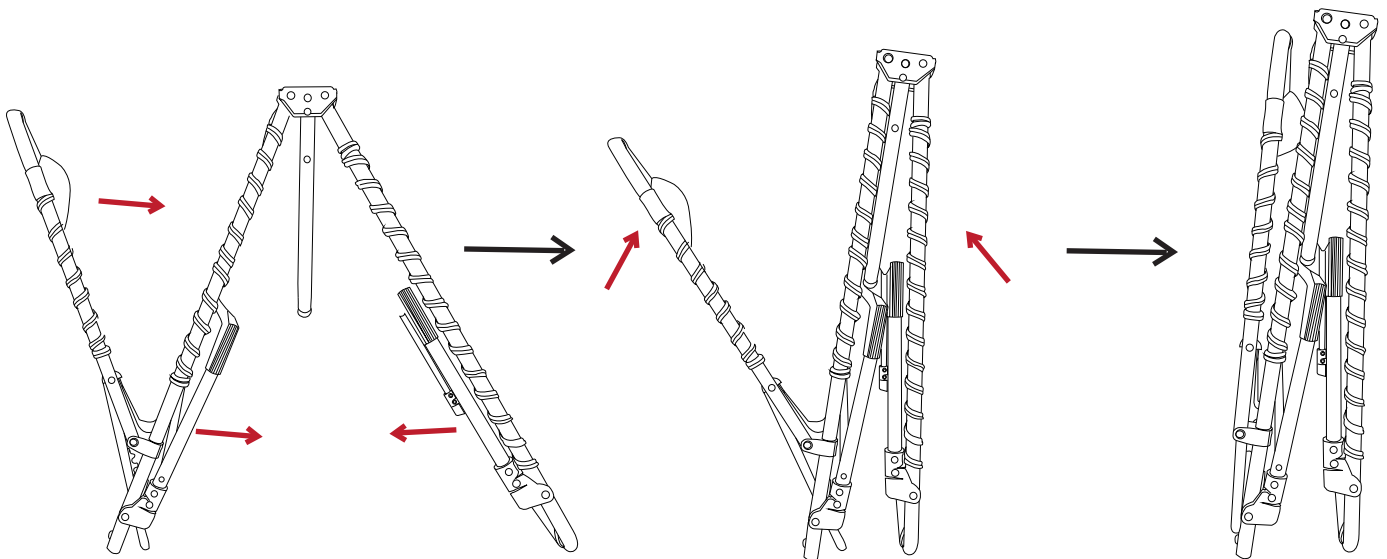
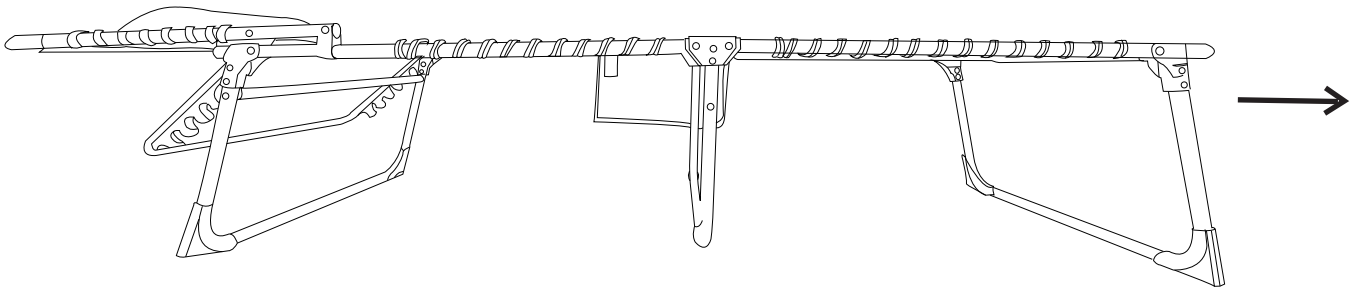
Tie the cushion on the frame or bungee of the cot. And then put the pillow on.



# STEP

## How to storage the cot?

Adjust it to flat. Fold the leg and then the cot bed.



## AFTER-SALE SERVICE

If you have any suggestions for our products or find that the products have quality problems, please contact us first, our after-sales team will reply you within 24 hours, and we will do our best to give you solutions until you are satisfied.

### Guaranteed Customer Service

Your shopping experience is very important to us!  
Feel unsatisfied? **Contact us!**  
Have any questions? **Contact us!**

Wanna Share how wonderful our smart promakes your home?

Share your pictures with us.  
Any suggestions? **Contact us!**  
We gotcha back!



**Patiofurniture Serviceteam@outlook.com**

