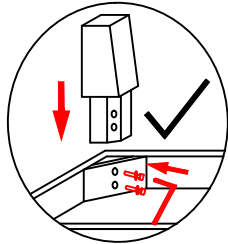
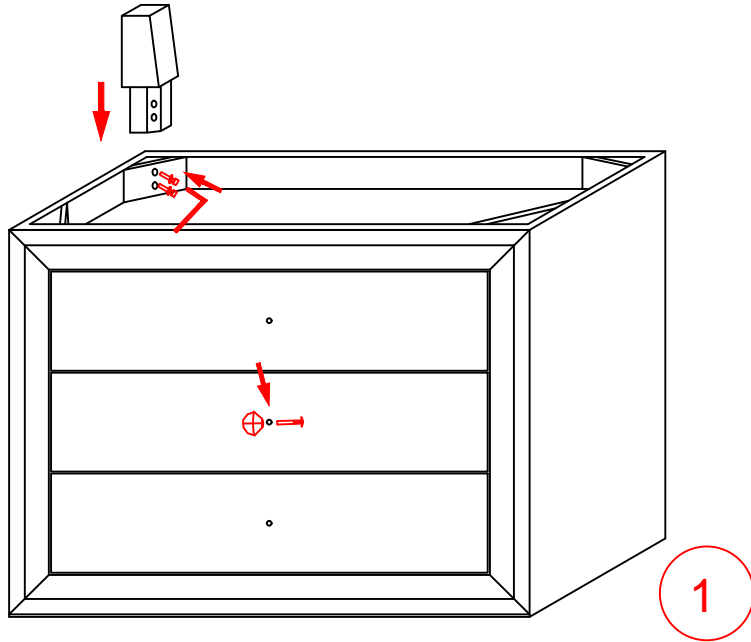
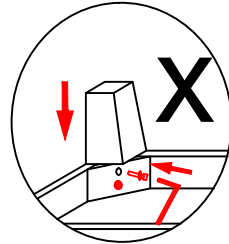


# Installation Instructions



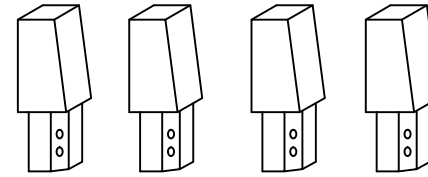
Right Method:

Put 2 screws into the holes at the same time, and tighten them.



Wrong Method:

After tightening one, place the other screw in the hole.



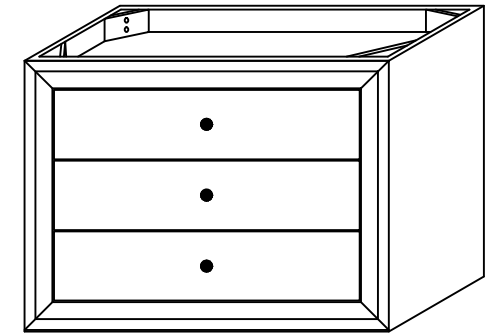
legs 4pcs



Allen Wrench 1pcs

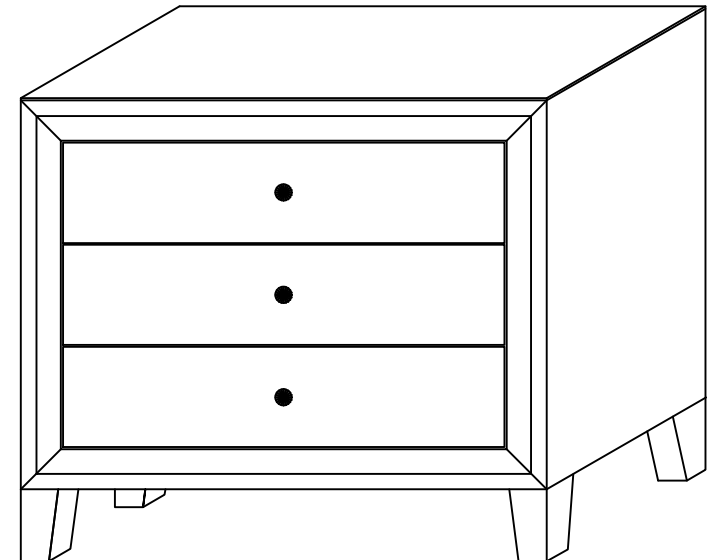


Handle Bolt 8pcs



1pcs

2



Step 1: According to the code, find the corresponding leg slot.  
Step 2: Attach the leg to the table top, put the 2 screws into the holes together, and tighten the 2 screws with a Allen key.

**Note:** When installing a leg, do not install another screw after tightening one screw, otherwise the other screw may not be screwed in.