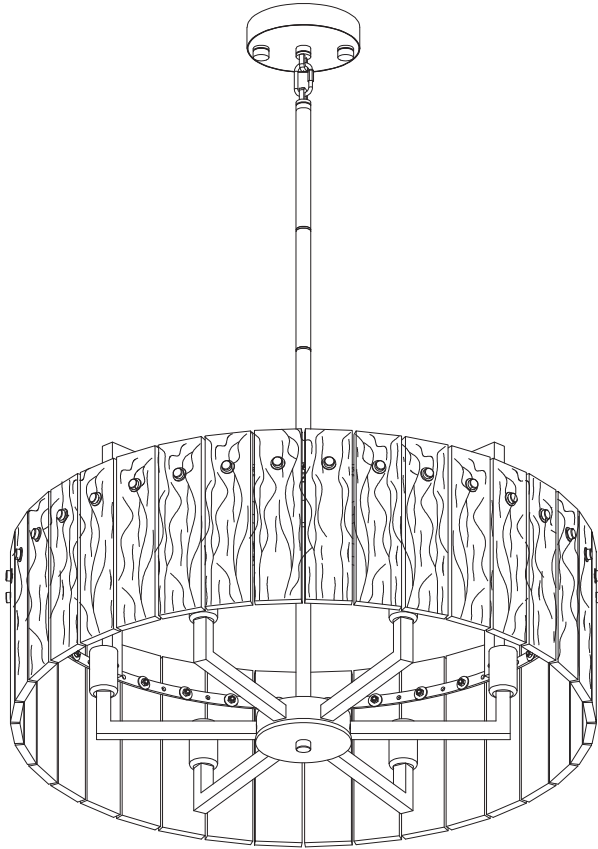


INSTALLATION MANUAL

CHANDELIER



Safety Rules

WARNING: BE SURE THE ELECTRICITY TO THE WIRES YOU ARE WORKING ON IS SHUT OFF; EITHER THE FUSE IS REMOVED OR THE CIRCUIT BREAKER IS TURNED OFF. TURNING THE POWER OFF USING THE LIGHT SWITCH IS NOT SUFFICIENT TO PREVENT ELECTRICAL SHOCK.

NOTE: The important safeguards and instructions appearing in this manual are not meant to cover all possible conditions or situations that may occur. It must be understood that common sense, caution, and care, are factors which cannot be built into any product. These factors must be supplied by the person(s) installing this unit.

READ & SAVE THESE INSTRUCTIONS

CAUTION: Before assembling the lighting fixture, refer to the section titled Wiring Connections. If you feel you do not have enough electrical wiring experience, either refer to a do-it-yourself wiring handbook or have your lighting fixture installed by a qualified, licensed electrician.

INSTALLATION & OPERATION INSTRUCTIONS GENERAL

Before starting the installation, disconnect the power by turning off the circuit breaker or by removing the appropriate fuse at the fuse box. Turning the power off using the light switch is not sufficient to prevent electrical shock.

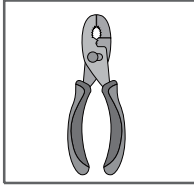
All electrical connections must be in accordance with local and National Electrical Code (NEC) standards. If you are unfamiliar with proper electrical wiring connections, obtain the services of a qualified electrician.

Installation Preparation

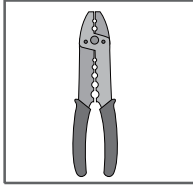
Tools You Need



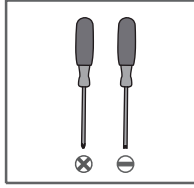
Ladder



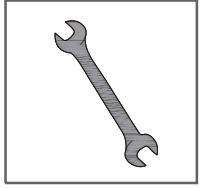
Pliers



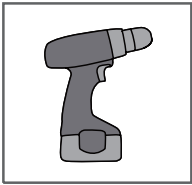
Wire Strippers



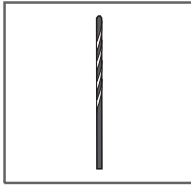
Screwdrivers



Wrench



Power Drill
(optional)

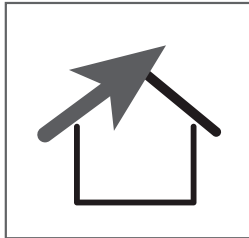


Drill Bit
(optional)

What to Expect with your Installation



Check the box to see the weight of the light



Angled ceiling applicable

Packing List

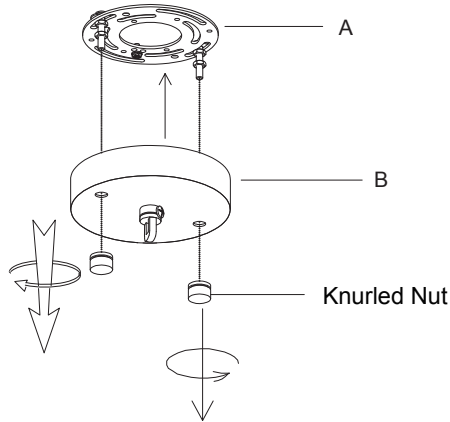
<p>A Mounting Bracket x1</p> <p>B Canopy x1</p> <p>C Main Downrod x1</p> <p>D Extension Downrod x2</p> <p>E Four-Hole Junction Box x1</p> <p>F Square Tube x4</p> <p>G 6.7" Downrod x1</p> <p>H Light Tube x6</p> <p>I Six-Hole Junction Box x1</p> <p>J Circle x1</p>			AA	2 x	BB	4 x			
			<p>Outlet Box Screw</p>		<p>Anchors</p>				
			<p>CC</p> <p>4 x</p> <p>Wood Screw</p>						
			<p>EE</p> <p>2 x</p> <p>Figure-Eight Buckle</p>		<p>FF</p> <p>1 x</p> <p>Power Main Cable</p>				
			<p>GG</p> <p>3 x</p> <p>Small Wire Nut</p>		<p>HH</p> <p>2 x</p> <p>Large Wire Nut</p>				
<p>II</p> <p>1 x</p> <p>Gloves</p>									
KK	32 x	LL	32 x	MM	32 x	NN	32 x	OO	32 x
<p>Hex Nut</p>		<p>Fixed Screw</p>		<p>glass</p>		<p>Plastic Washer</p>		<p>Small Finial</p>	

NOTE: The listed quantity is for installation, extra hardware may be included.

Installation Instructions

1. Remove the Mounting Bracket

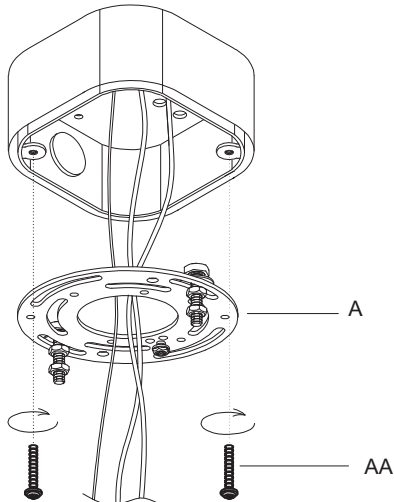
Loosen the knurled nut from the canopy (B), and take out the mounting bracket (A).



2. Mount the Bracket (3 Options)

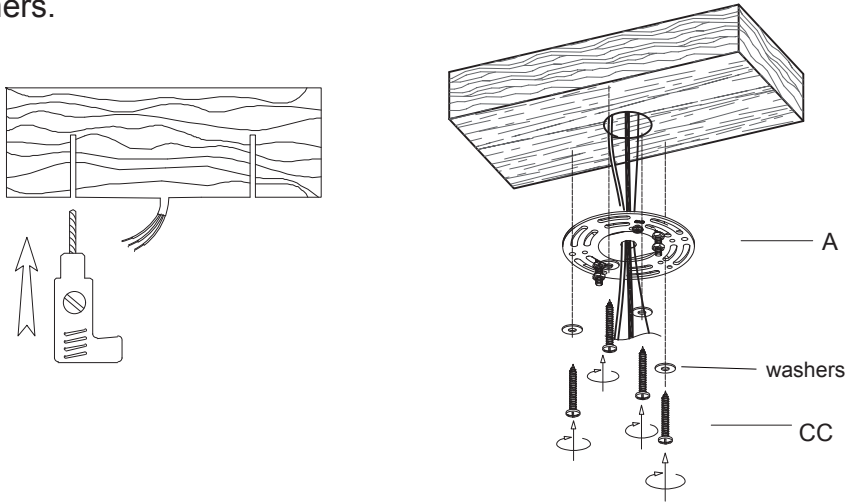
Option 1. (For Outlet Box)

Secure the mounting bracket (A) to the outlet box with screws taken off from outlet box or screws (AA) provided.



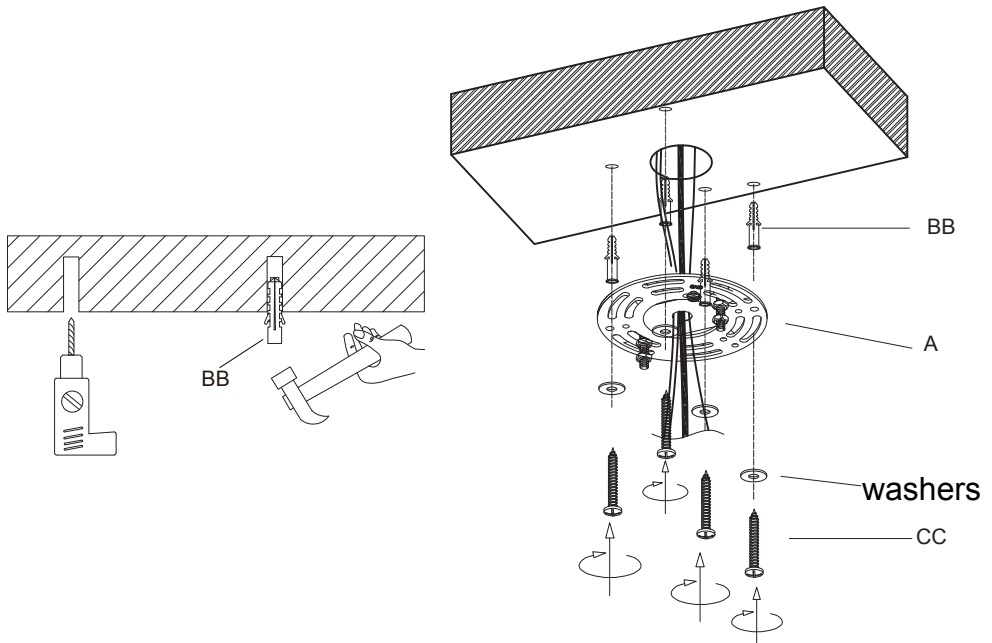
Option 2.(For Solid Wood Structure)

Mark and drill the screw holes (Use a 1/8" drill bit) on the solid wood structure. Mount the mounting bracket with wood screws (CC) and washers.



Option 3. (For Concrete Structure)

Mark and drill the screw holes on the concrete structure. Mount the mounting bracket with wood screws (CC) and screw washers .

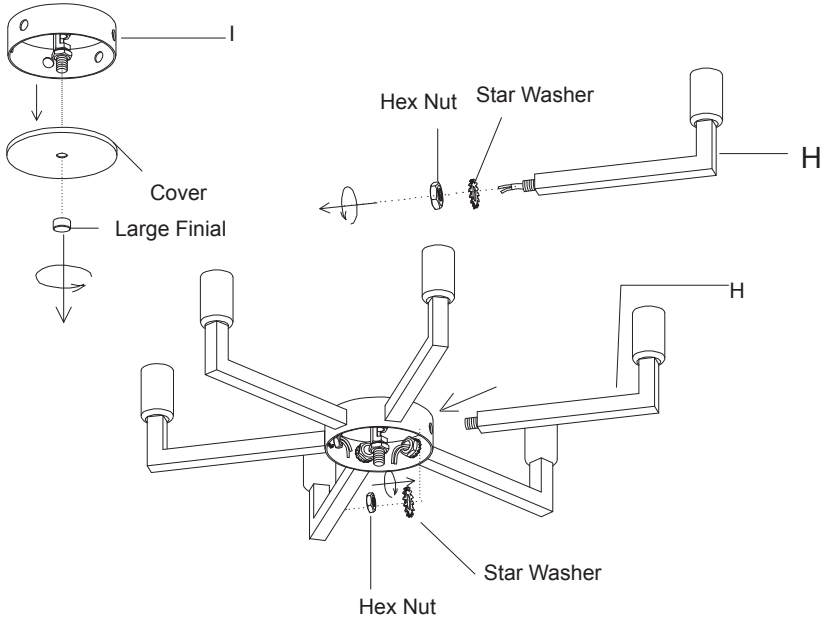


2. Install the Light Tube

Step 1: Release the large finial and remove cover.

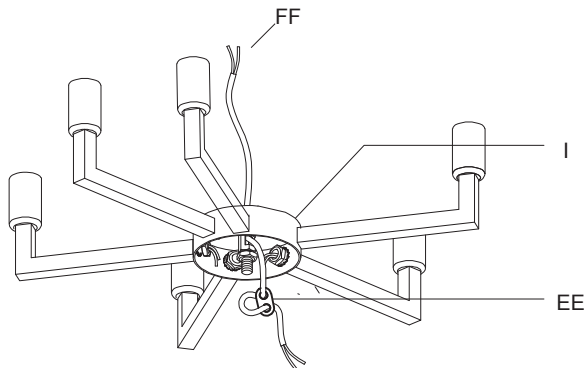
Step 2: Loosen hex nut on light tube(H) and remove star washer.

Step 3: Insert light tube (H) through six-hole junction box (I), add star washer, and secure with hex nut.

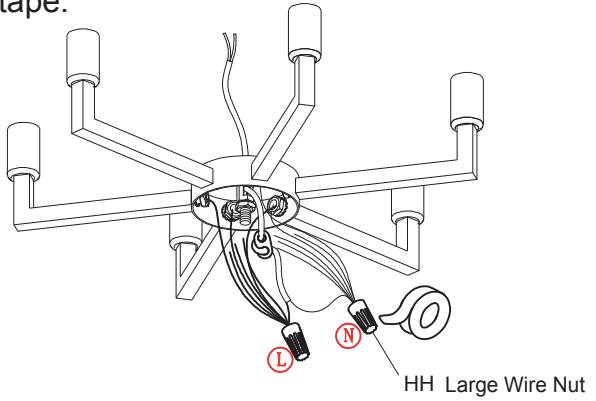
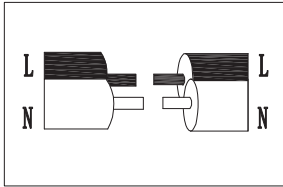


3. Connect the Wires

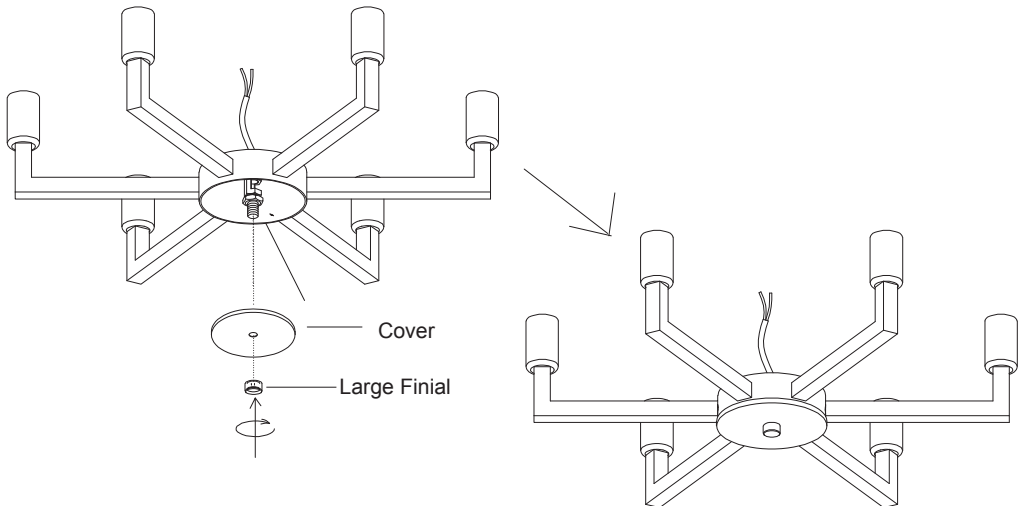
Step 1: Thread main power cable (FF) through six-hole junction box (I) and figure-eight buckle (EE).



Step 2: Connect the fixture wires using large wire nuts (HH), matching the hot (black) wires to hot and neutral (white) wires to neutral. Wrap connections with electrical tape.



Step 3: Fix the cover onto six-hole junction box (I) with large finial.

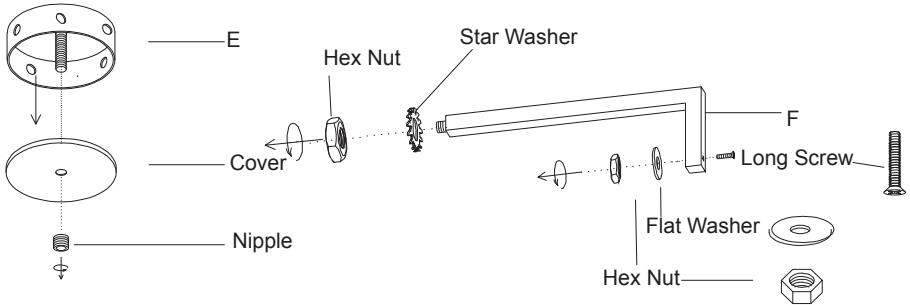


4. Square Tube (F) Assembly Preparation

Step 1: Release four-hole junction box nipple and remove cover .

Step 2: Loosen hex nut on square tube (F) and remove star washer .

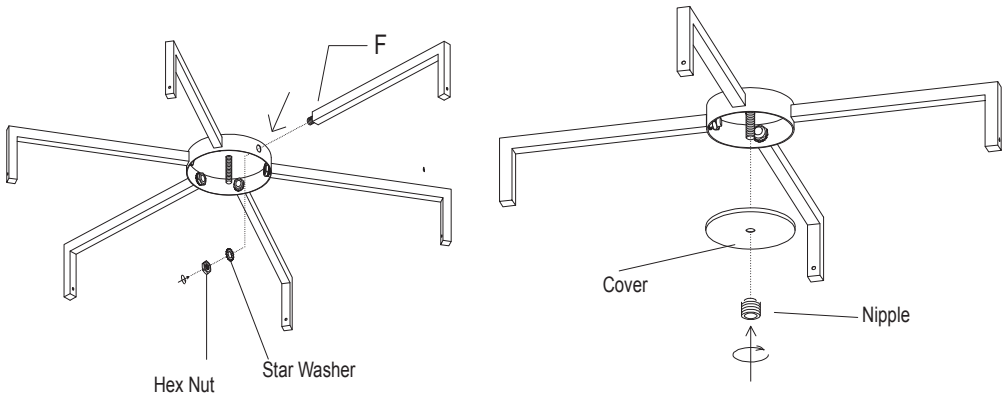
Step 3: loosen hex nut on square tube (F) and remove long screw and flat washer.



5. Install Square Tube

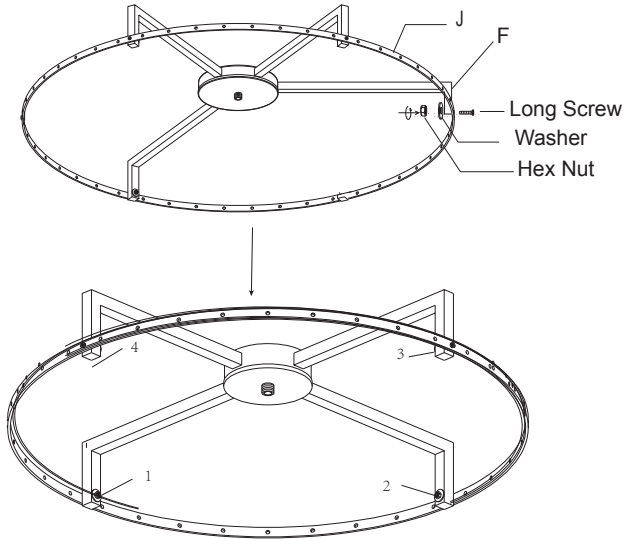
Step 1: Pass square tube (F) through four-hole junction box (E), add star washer, and secure with hex nut .

Step 2: Fix the cover onto the four-hole junction box(E) with nipple.

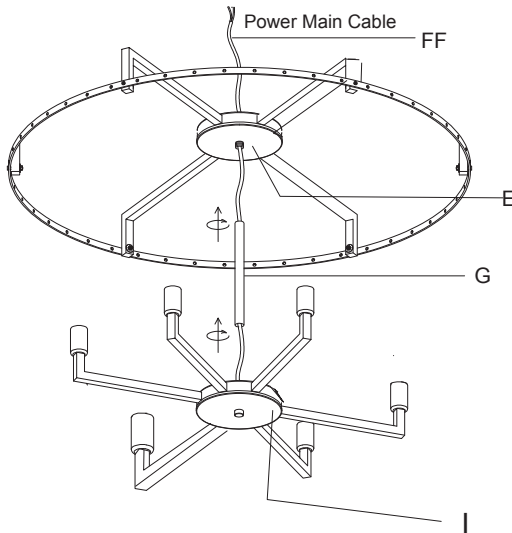


6. Assemble the lamp frame

Step1: Insert long screw through circle (J) and square tube (F) holes, attach flat washer, and secure with hex nut.



Step2: Thread main power cable (FF) through the 6.7" downrod (G) and four-hole junction box (E), then tighten both ends of 6.7" downrod (G).



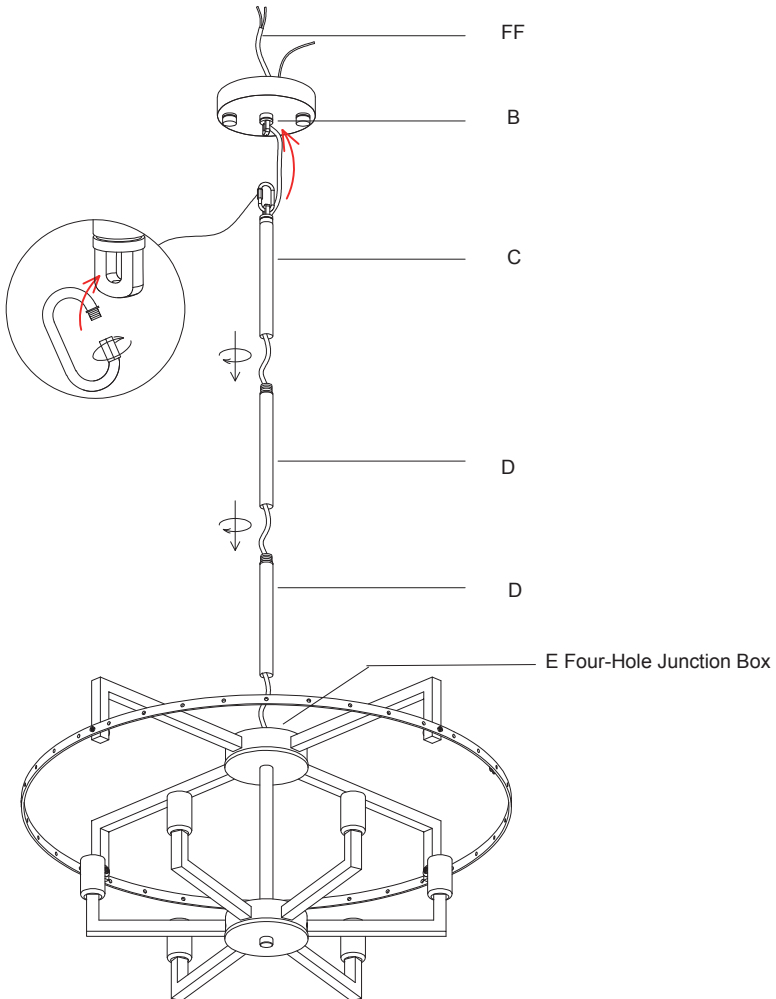
7. Install the Hanging Rod

Step 1: Pass the power cord through the extension downrod (D), main downrod (C), and canopy (B) in turn.

Step 2: Connect the main downrod (C) and extension downrod (D) together, then screw the bottom of the downrod onto the four-hole junction box (E).

Step 3: Loosen the quick link on main downrod (C), then connect the quick link to the canopy (B) and lock the quick link tightly.

Note: Adjust the number of downrods used according to the desired installation length.

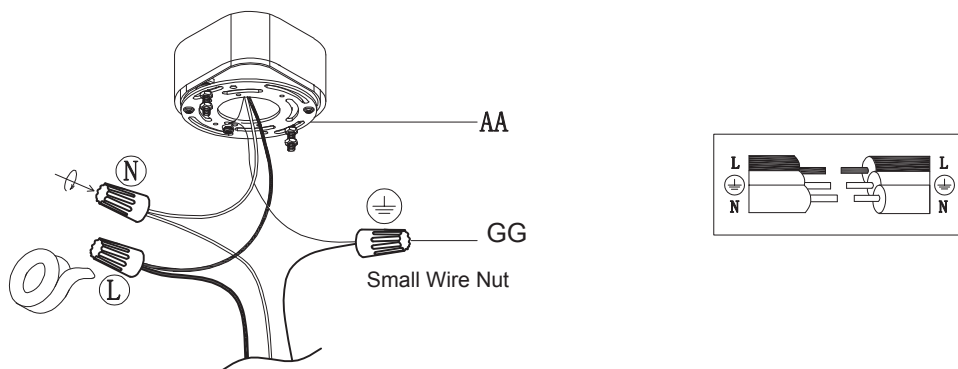


8. Connect the Power Wires and Ground Wire

Step 1: Wrap the ground wire from the outlet box around the ground screw on the mounting bracket (A), and then connect the ground wire from the fixture to the ground wire from the outlet box.

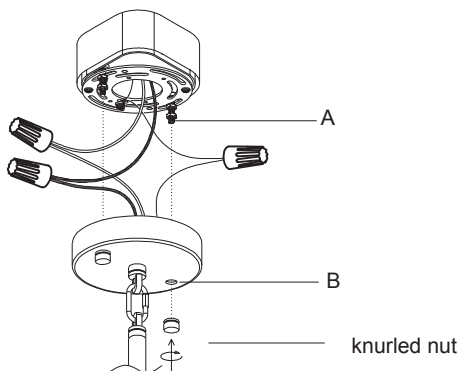
Step 2: Connect the wires from the fixture to the house supply wires with wire nut (GG), neutral wire (white) to neutral wire, and hot wire (black) to the hot wire. Wrap the connection with electrical tape.

Step 3: Spread apart the wires so that the hot wires are on one side of the outlet box and the neutral wires are on the other.



9. Fix the canopy

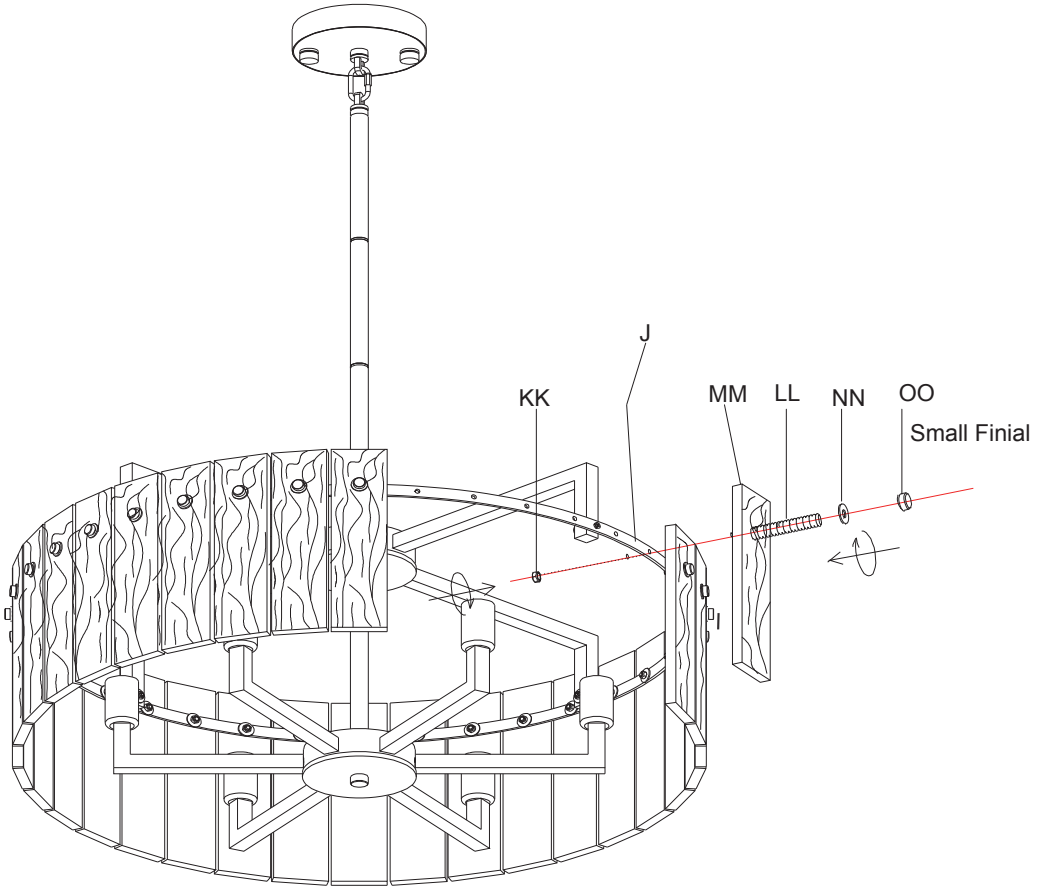
Secure the canopy (B) to the mounting bracket (A) using the knurled nuts.



10. Glass Installation

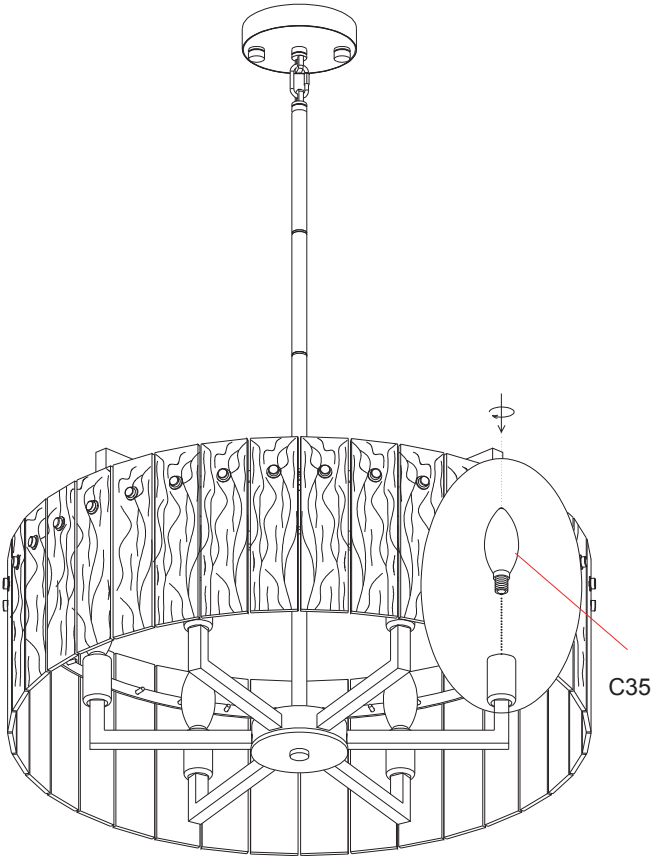
Step 1: Screw fixed screw (LL) onto the small finial (OO) and attach plastic washer (NN).

Step 2: Thread screws through glass (MM) and circle (J), and secure with hex nut (KK).



11. Install the Bulbs

Install the Bulbs. (E12 x 6, Max 40W each, not included)



Note:

- 1.The illustrated bulb is recommended and compatible alternatives may be selected as needed.
- 2.To achieve dimming functionality, you need to use dimmable bulbs and a dimmer switch.
- 3.For bulbs with color temperature control, repeatedly switch “on” and “off” using the wall switch to change settings.

Trouble Shooting

1. Missing / Broken Parts

- Make a list of the missing/broken parts according to the packing list, take photos for broken parts, then email us for free replacements.

2. Bulbs Do Not Light Up

- Check your power and switch to make sure it's power on.
- For regular bulbs, make sure it is connected to the ON/OFF wall switch, not the dimmer switch.
- Replace the bulb with a new one.

3. Bulbs Flicker

- If it is a dimmer switch, use a dimmable bulb.
- Replace the bulb with a new one.

4. Could Not Install / Assemble

- Take photos of the ceiling / fixture, contact seller for technical support.

Clean And Care

To clean, wipe fixture with soft cloth. Spray from chemical cleaners can discolor the finish of fixture. Do not use scouring pads, powders, steel wool or abrasive paper to clean this fixture.

Ordering Parts

Keep this manual for future reference, and in case replacement parts are needed. Available parts can be ordered from place of purchase. Use exact wording from diagrams when ordering parts.