

# Installation Manual



## RX2007 SERIES

2-way Shower system

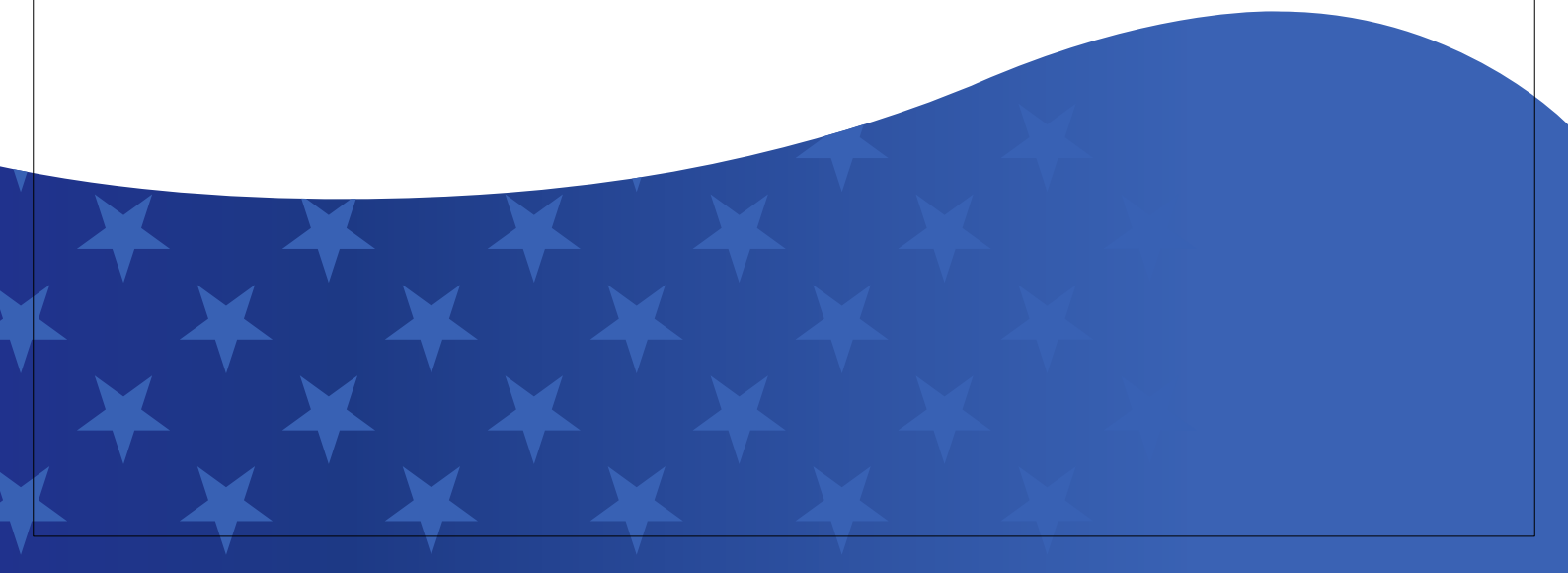
### **IMPORTANT**

The slide bar is designed exclusively for the purpose of holding a hand shower. It is not intended to be used as a support or grab bar.

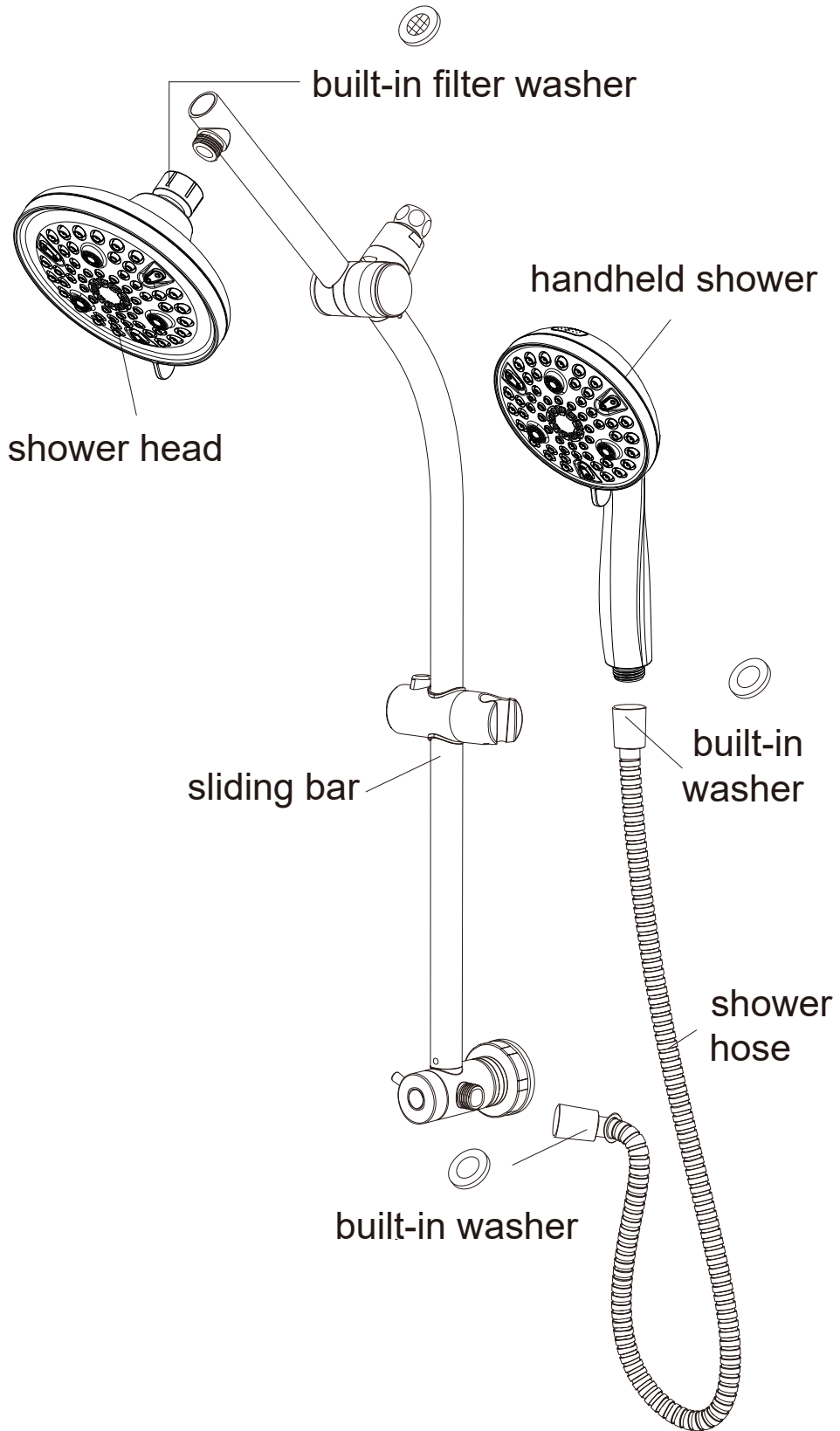
We kindly remind you that we cannot accept liability for any incidents or breakages that occur as a result of non-compliance with this cautionary advice.

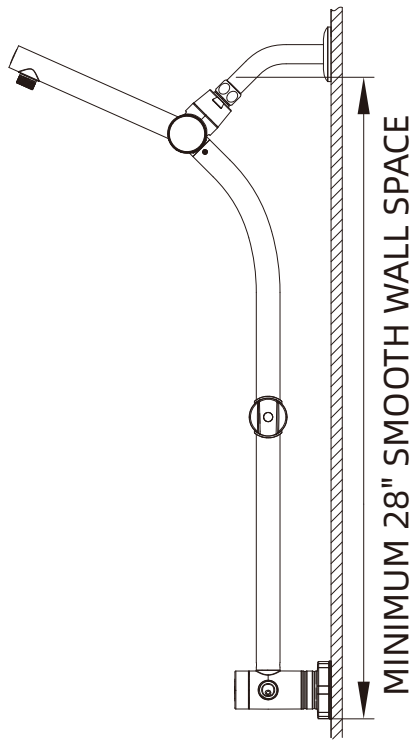
# INDEX

1. Parts List ..... P01
2. Installation Instruction ..... P02-P03



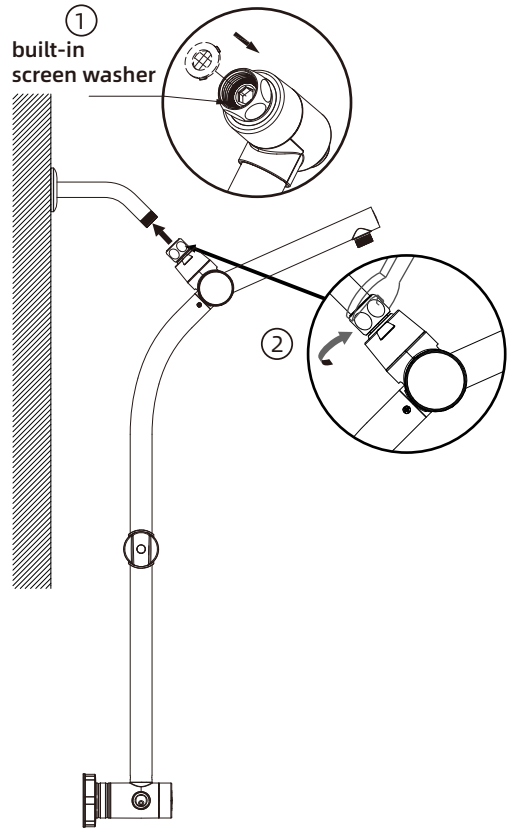
# Parts List





### 1 Required Wall Space

Make sure the distance between your faucet and your showerhead no less than 28"



2

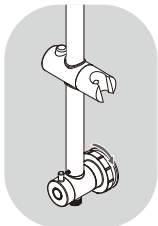
- ① Ensure the washer is positioned FLAT and STRAIGHT inside the hex nut.
- ② Attach the sliding bar to the shower arm by rotating the hex nut clockwise by hand, then lightly tighten it using a wrench.
- ③ Avoid overtightening to prevent bending the washer or pushing it into the shower arm.

### 3 Three INSTALLATION METHODS ARE OPTIONAL

Make sure wall is flat, smooth, clean and dry

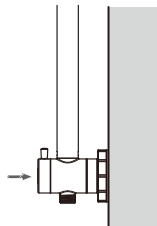
#### Method 1 - Suction mount

A



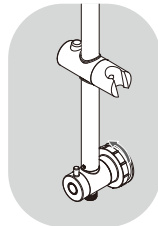
Loosen Suction Cup by turning Counter Clockwise

B



Press against wall

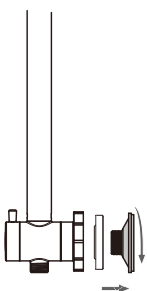
C



Tighten Suction Cup by turning Clockwise

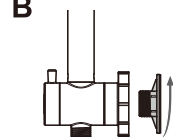
#### Method 2 - Adhesive mount

A



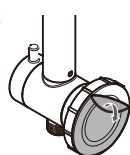
Remove Suction Cup by turning Counter Clockwise

B



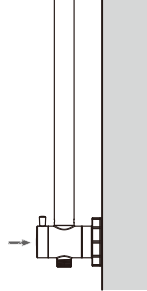
Install Flat Support Plate by turning Clockwise

C



Remove Adhesive

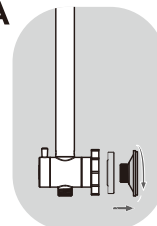
D



Allow to dry for 12 Hours

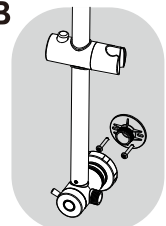
#### Method 3 - Locking Screws mount

A



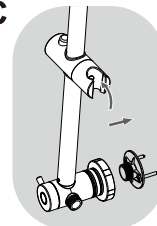
Remove the suction cup base. Change the screws base.

B



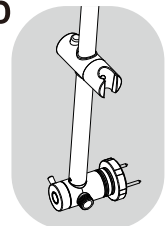
Mark the right position for the diverter. Drill holes, and then fix the fixing seat on the wall with two screws.

C

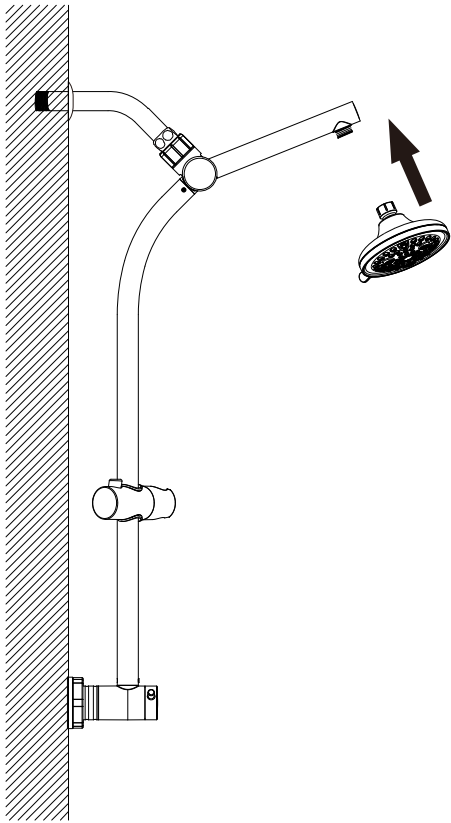


Tighten the whole set of lifting rods to the fixed seat.

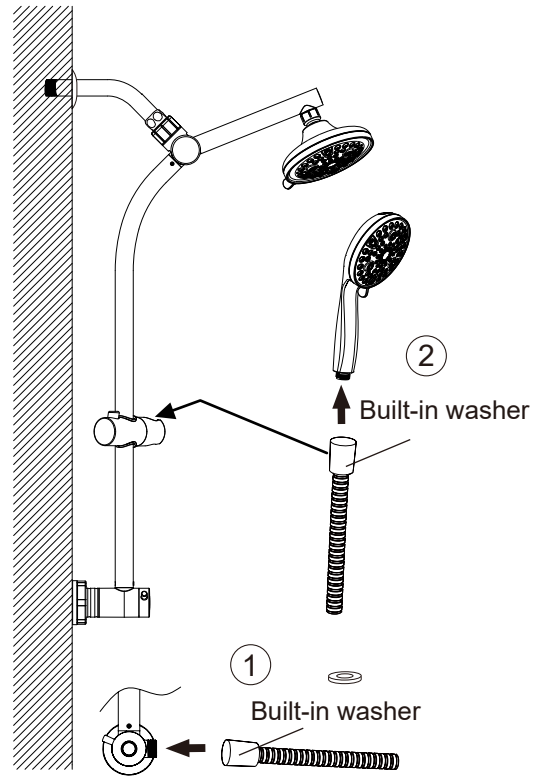
D



Post-installation effect.



**4** Attach the shower head with a built-in washer on to the sliding bar by rotating the shower head clockwise by hand.



**5** ① Attach the shower hose to the end of the sliding bar by rotating the conical nut of the shower hose by hand.  
 ② Connect the handheld shower and the shower hose by hand and put the hand shower into the slider.

**6** 3-way diverter functions exchange. Complete installation and test water.

