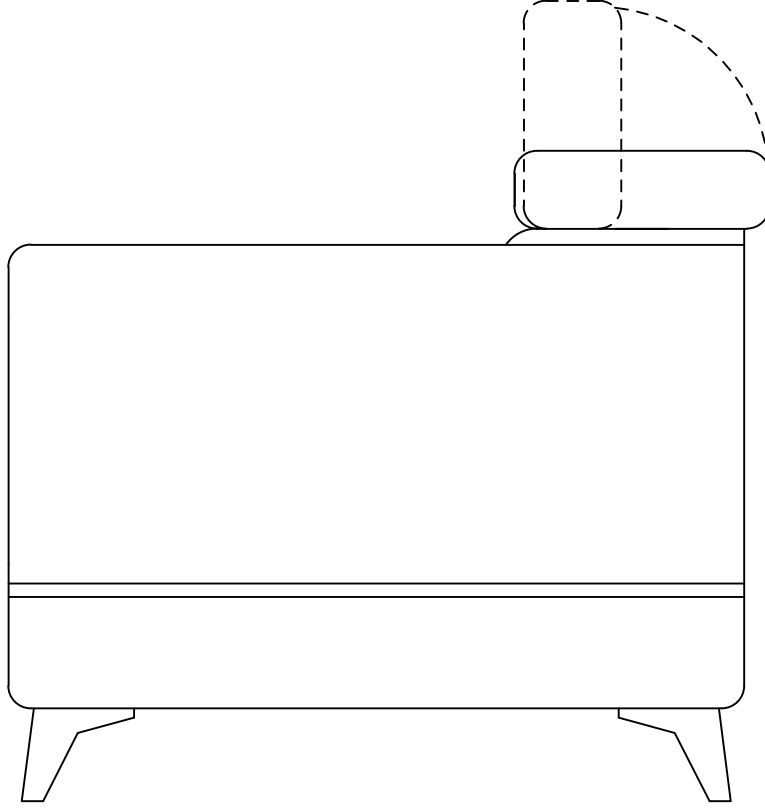


43.5"

41.3"

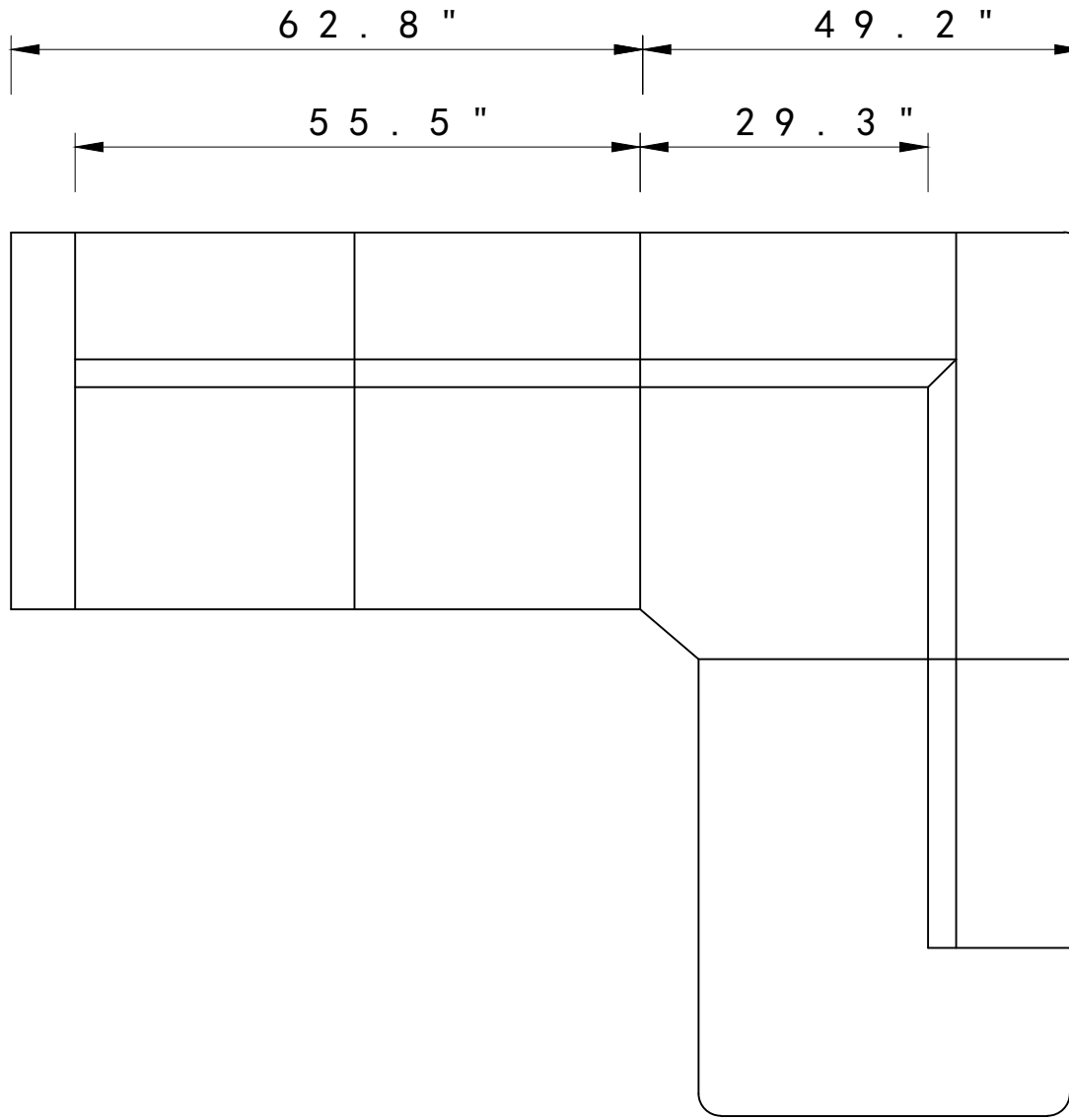


24.2"

29.1"

36.6"

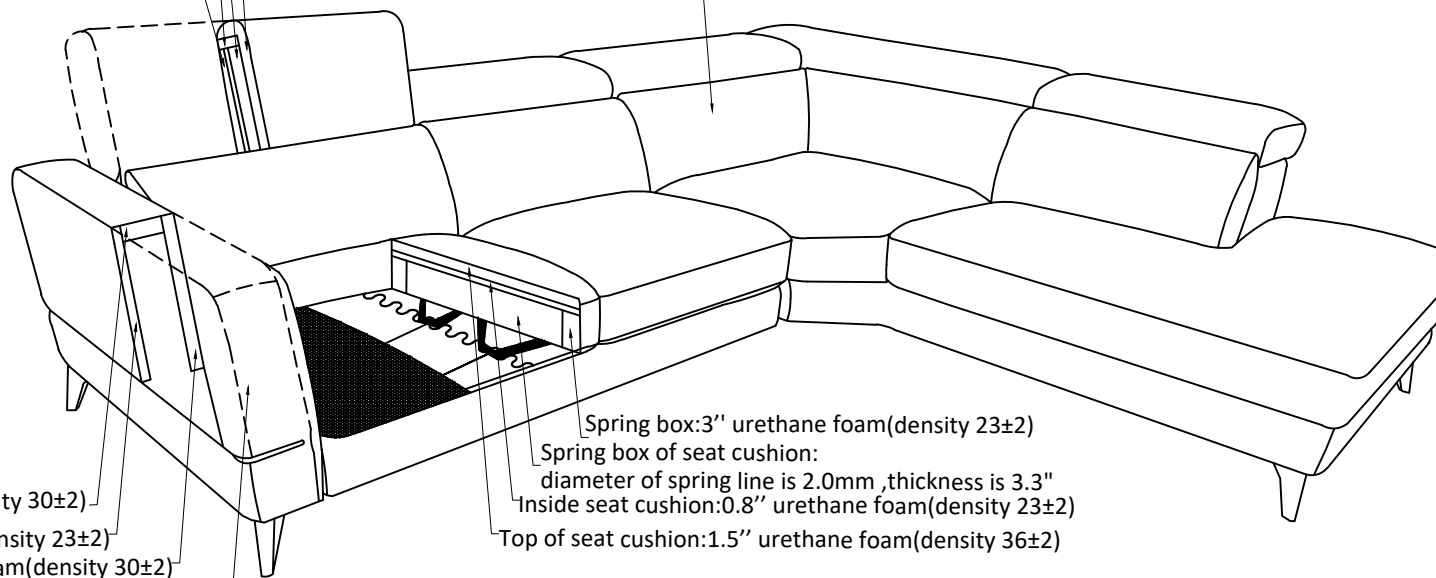
43.5"
22.4"



76.7"
97.2"

Top of pillow:1.5' urethane foam(density 23±2)
back of pillow:2.5" urethane foam(density 28±2)
Back of pillow:1" urethane foam(density 23±2)
Bottom of pillow:0.4" urethane foam(density 23±2)

Backrest:P20 urethane foam(density 20±2)



Top of armrest:2" urethane foam(density 30±2)
outside armrest:0.8" urethane foam(density 23±2)
Inside armrest:1.5" urethane foam(density 30±2)
Front of armrest:1" urethane foam(density 23±2)

Spring box:3" urethane foam(density 23±2)
Spring box of seat cushion:
diameter of spring line is 2.0mm ,thickness is 3.3"
Inside seat cushion:0.8" urethane foam(density 23±2)
Top of seat cushion:1.5" urethane foam(density 36±2)