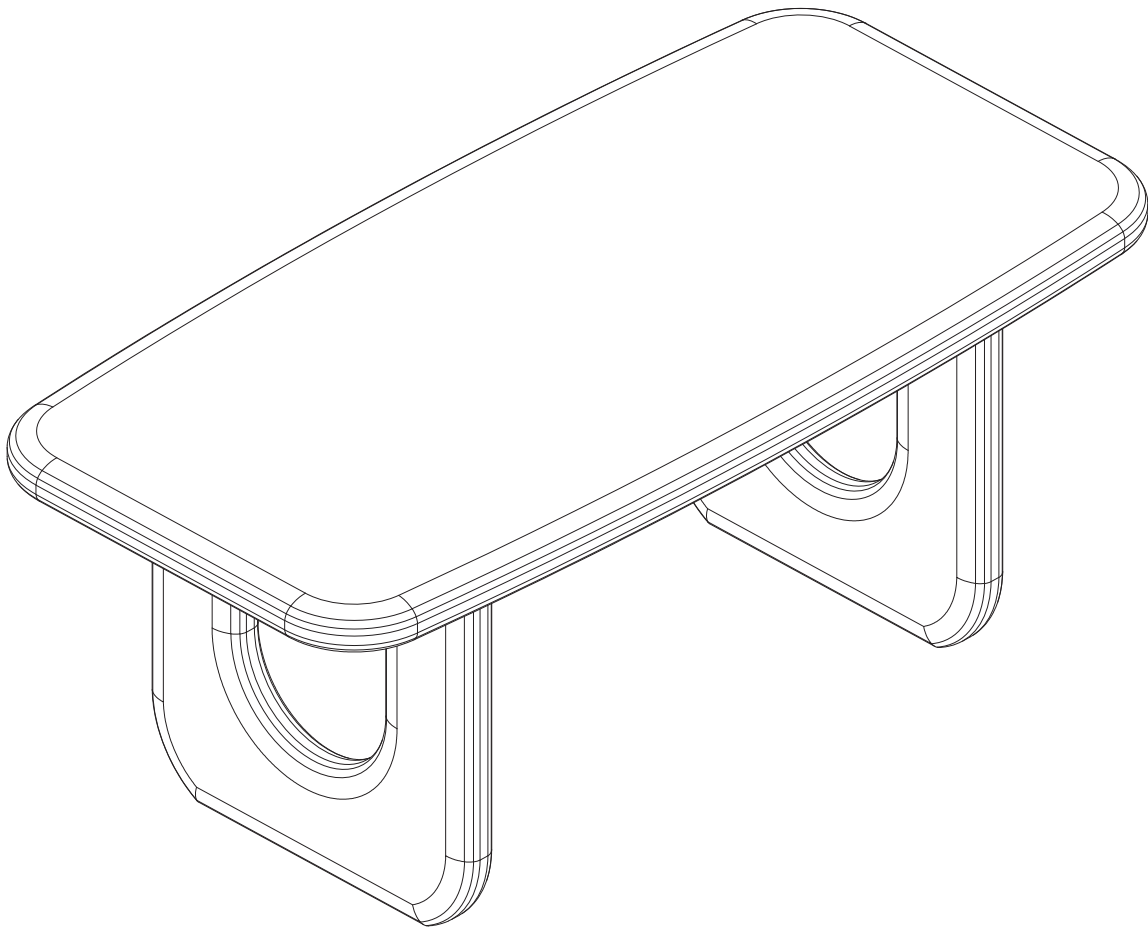


# Assembly Instructions



---

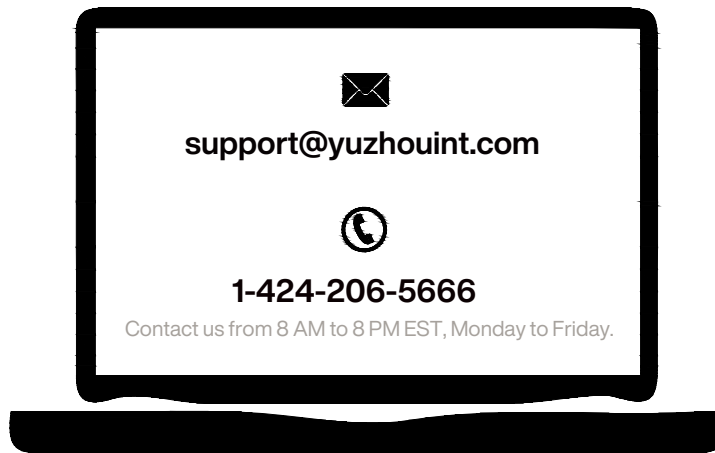
**Coffee Table**

Model No.  
**HOGA-XK00802**

---

# Contact Us

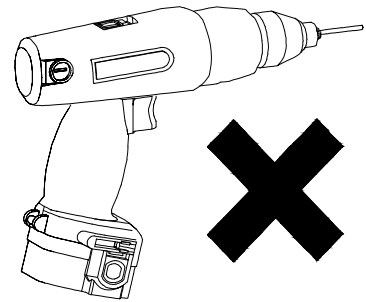
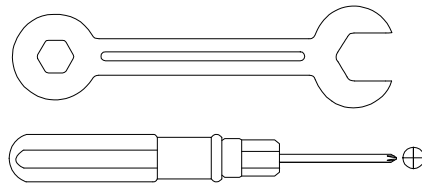
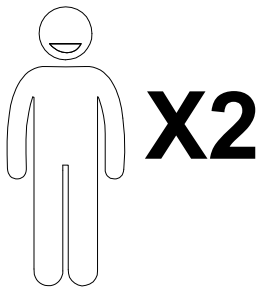
## We're here to help you.



Your satisfaction is our top priority. If you encounter any issues with this product, such as missing or damaged parts, we're here to help. Please retain the original packaging and take photos of the packaging and the product, then contact us as soon as possible.

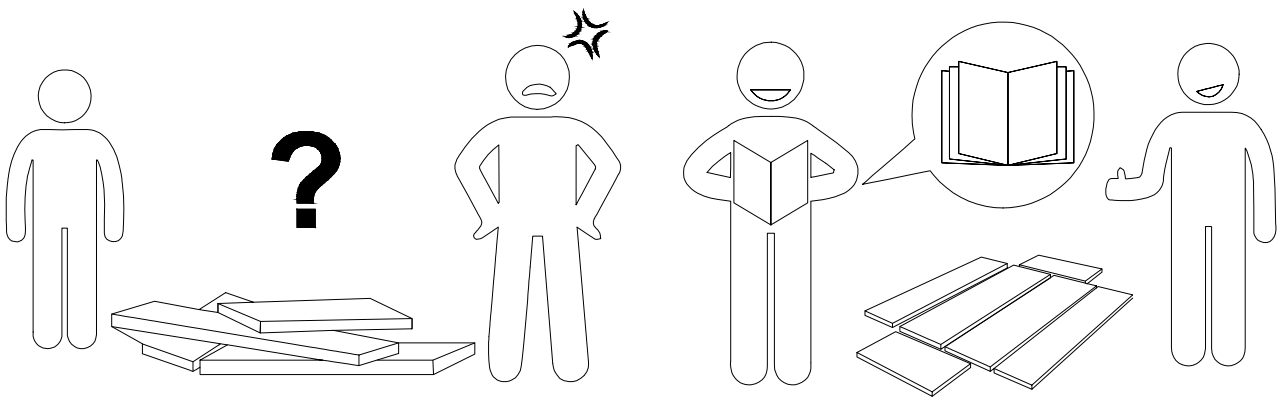
### Warm Tips

1. Carefully read these instructions and keep them for future reference.
2. Check the parts list and confirm everything's there before starting assembly.
3. When assembling, put all parts on a soft, smooth surface like a carpet to avoid scratches.
4. Don't fully tighten screws until all parts are confirmed in place to avoid misalignment.



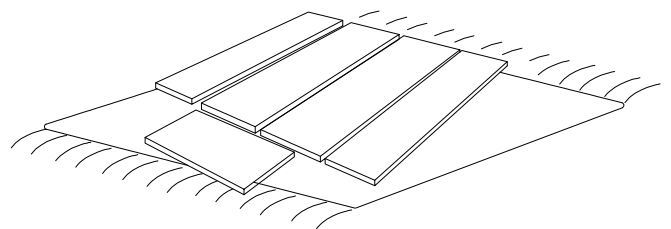
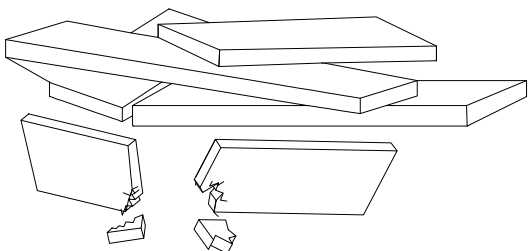
We recommend using hand tools for assembly.

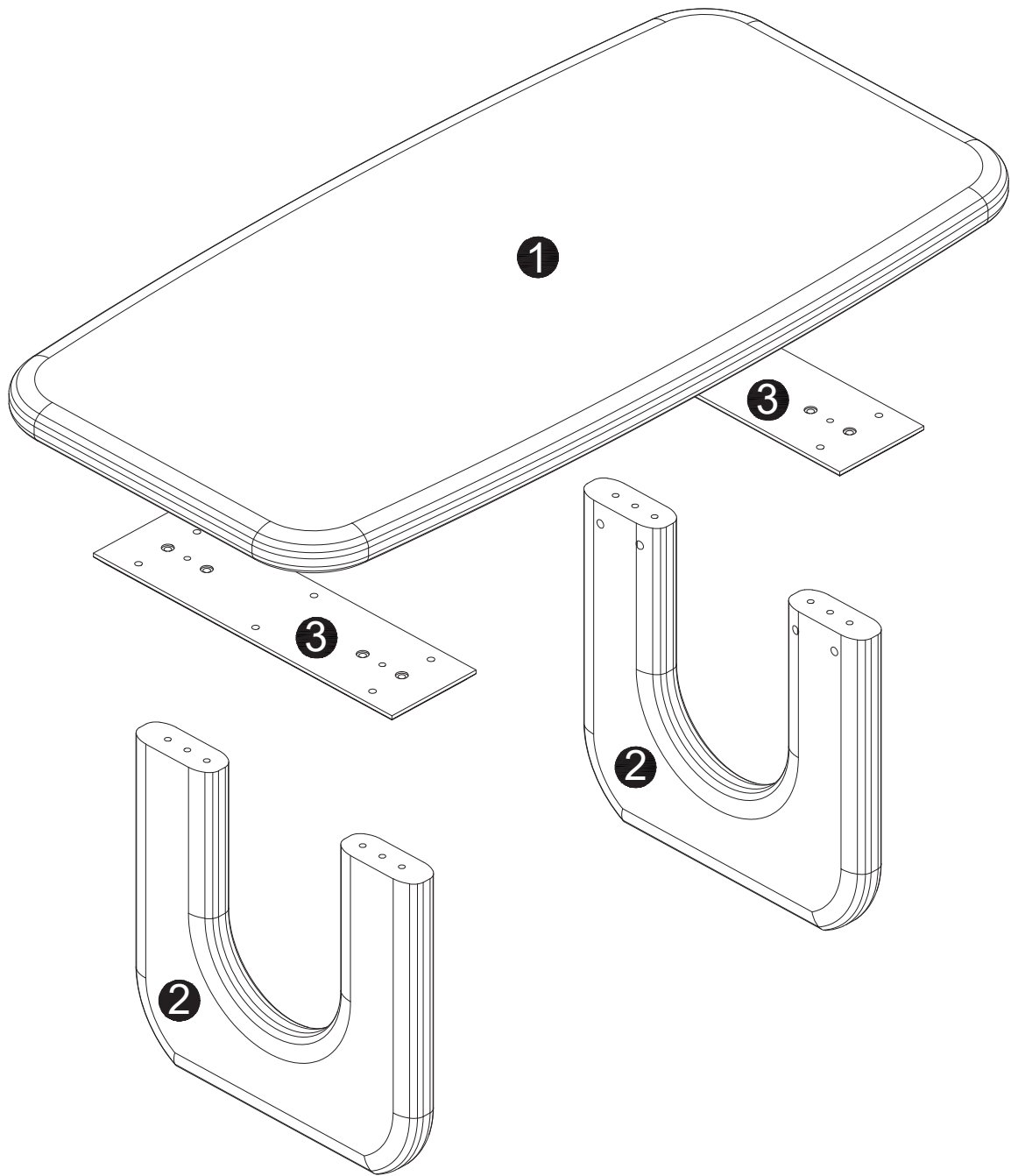
If an electric screwdriver is used, reduce power and torque to avoid damage to the product.



## AVOID SCRATCHES

In order to avoid scratching, this furniture should be assembled on a soft surface, such as a rug.

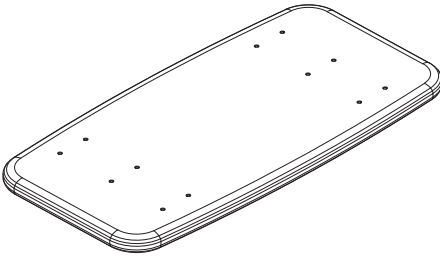
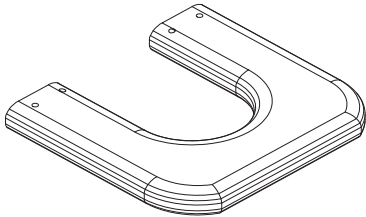
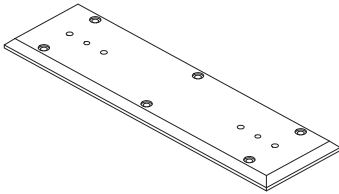




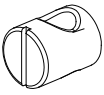
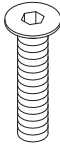
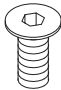


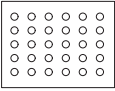
**⚠ Caution**


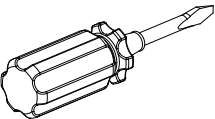
Make sure all parts are included. Most board parts are labeled or stamped on the raw edge. Contact us for a free replacement if you encounter any damaged or missing parts.

## Parts List

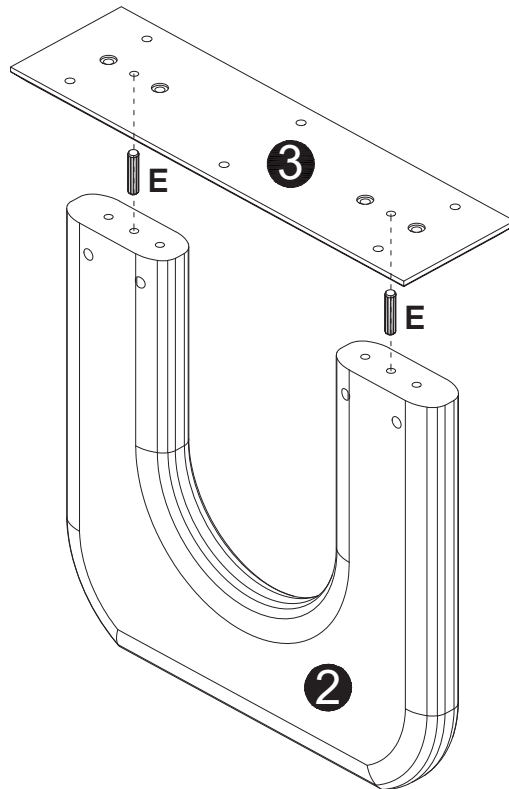
<p><b>1</b></p>  <p>1 pc</p>	<p><b>2</b></p>  <p>2 pcs</p>	<p><b>3</b></p>  <p>2 pcs</p>
---	--	--

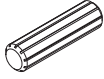
## Hardware List

<b>A</b>	<b>B</b>	<b>C</b>	<b>D</b>	<b>E</b>	<b>F</b>
 <p>Ø10x11mm</p>	 <p>Ø6x50mm</p>	 <p>Ø6x30mm</p>	 <p>Ø15x2mm</p>	 <p>Ø8x30mm</p>	 <p>Ø20</p>
8+1 pcs	8 pcs	12 pcs	4+1 pcs	4 pcs	20 pcs

<b>G</b>	<b>H</b>
 <p>M3</p>	
1 pc	1 pc

1

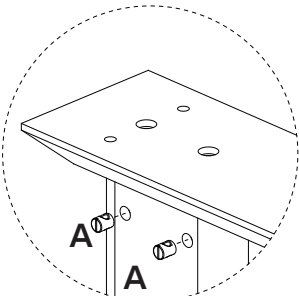


E

Ø8×30mm
4 pcs

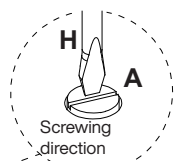
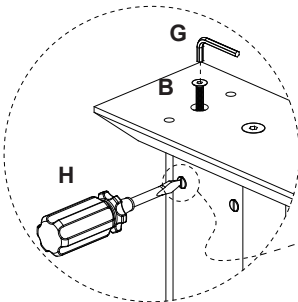
x2

2

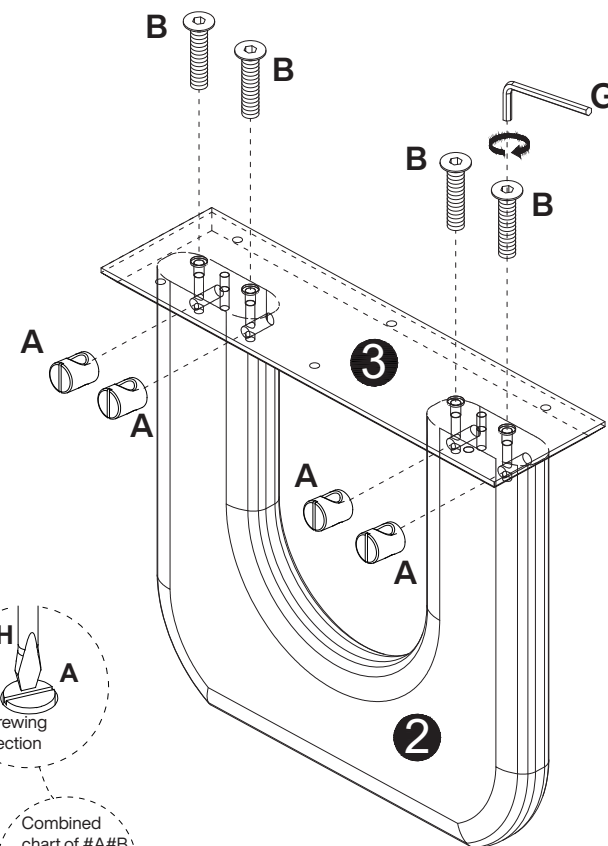
Step 1

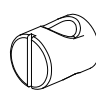
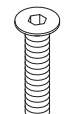


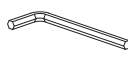
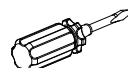
Step 2



Combined chart of #A#B



A	B
	
Ø10×11mm	Ø6×50mm
8 pcs	8 pcs

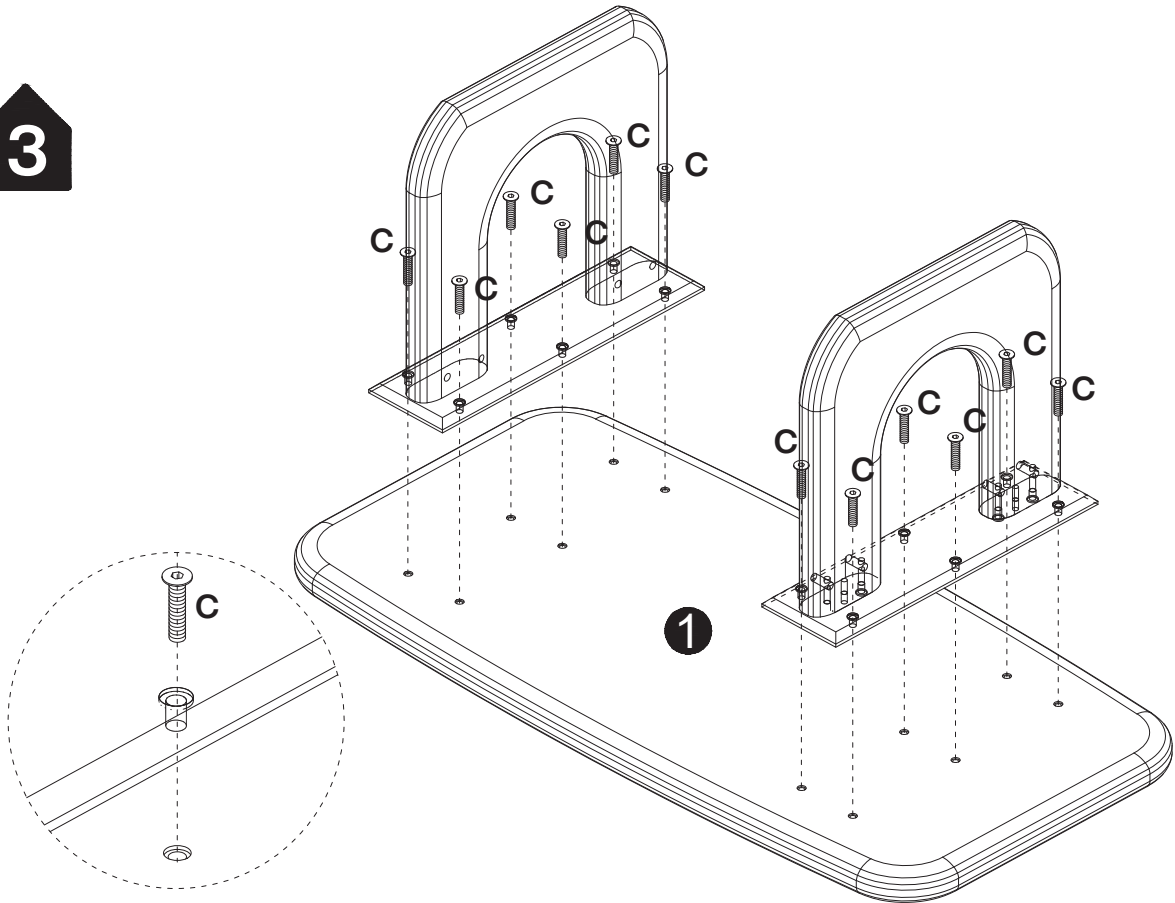
G	H
	
M3	
1 pc	1 pc

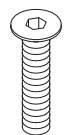
x2

Step 1: Insert #A into the hole.

Step 2: Using a screwdriver, rotate #A until its groove aligns with #B. Lock in place by turning #B clockwise.

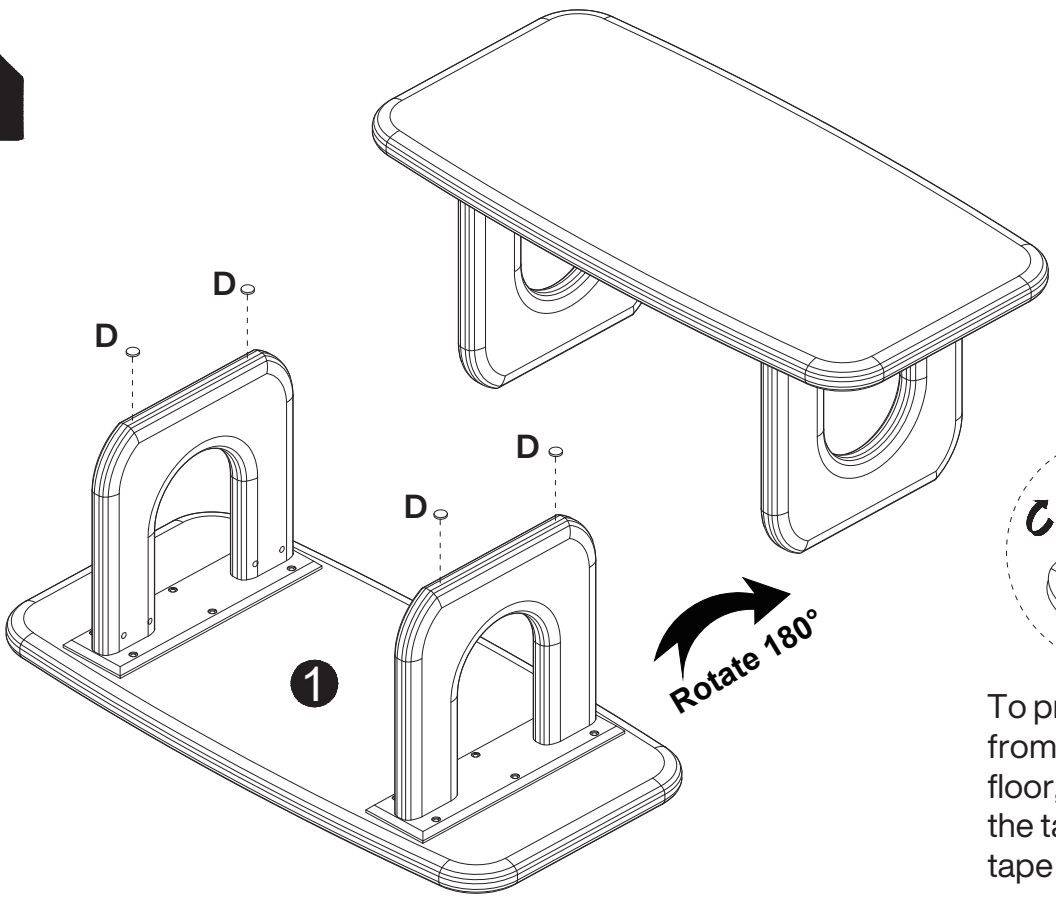
3

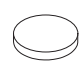


C

Ø6×30mm
12 pcs

⚠ Screw M6×30mm

4



D

Ø15×2mm
4 pcs

To prevent the table from scratching the floor, please peel off the tape on the #D and tape them to the corners of the table before use.

**Thank you for your support!**

