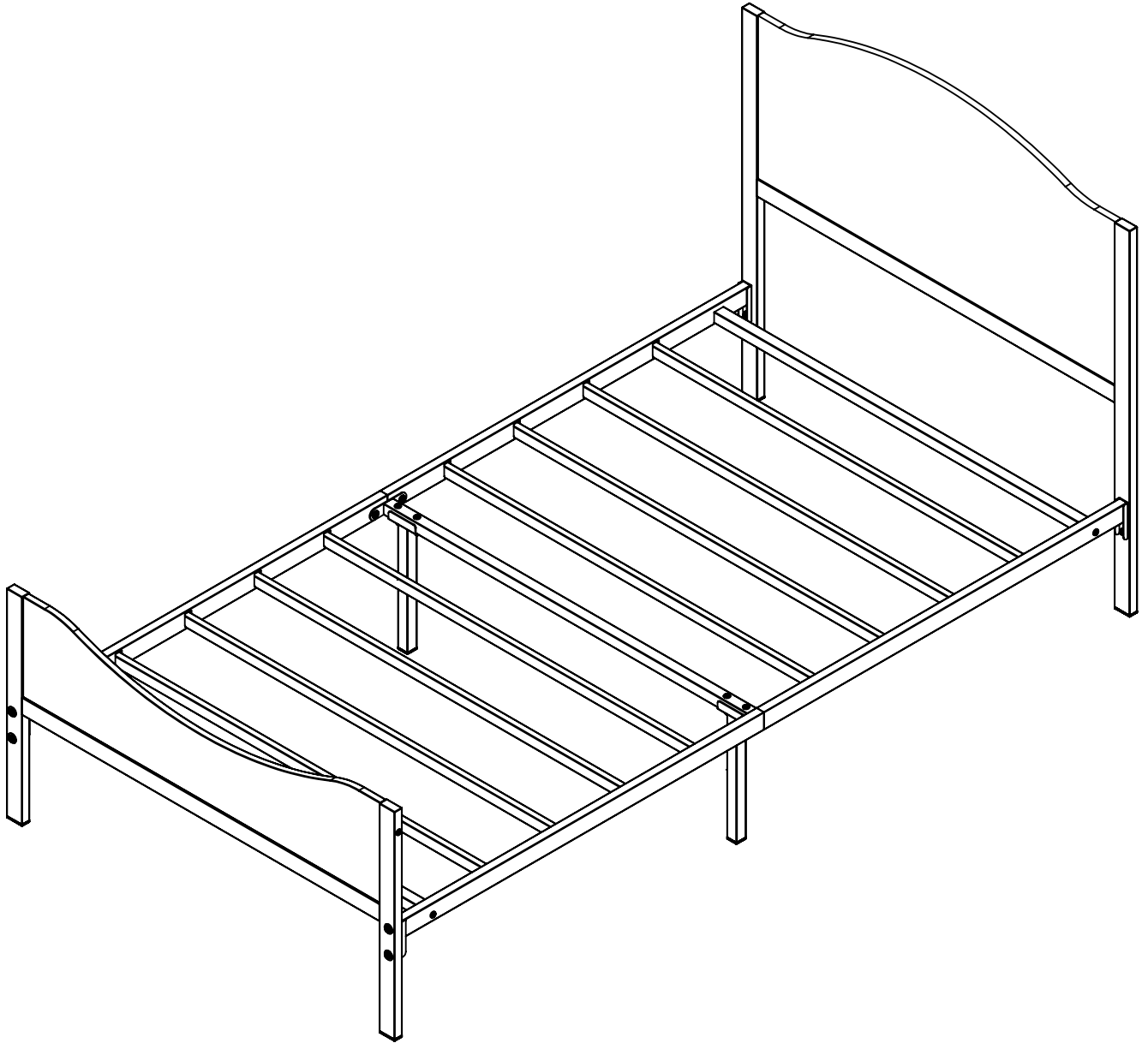


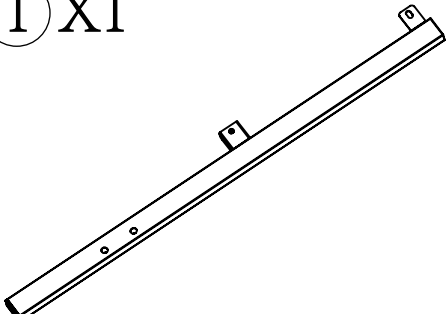
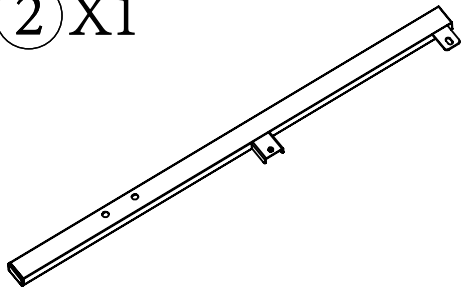
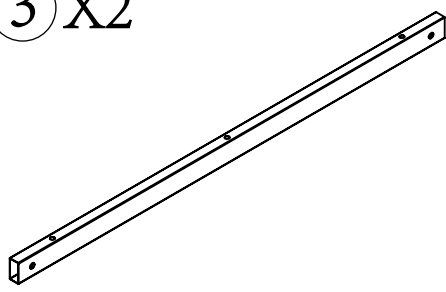
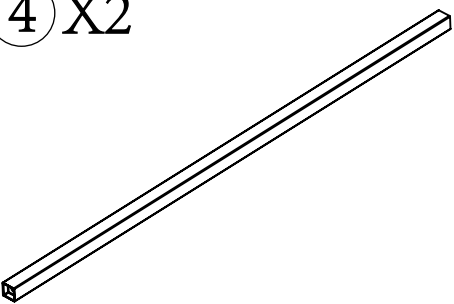
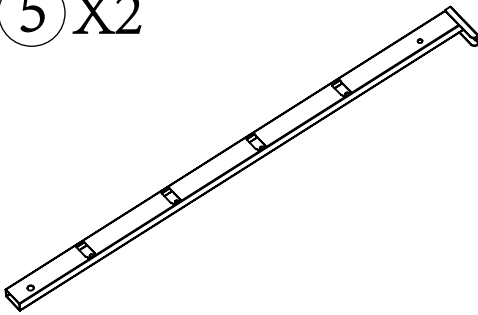
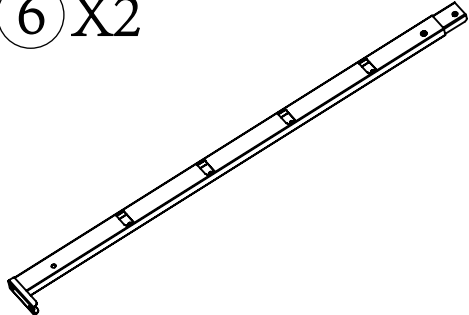
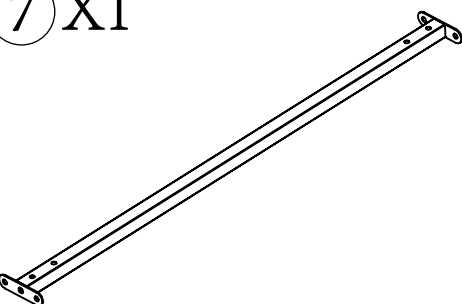
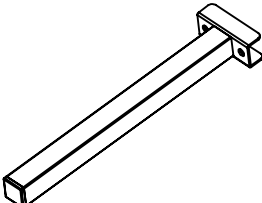
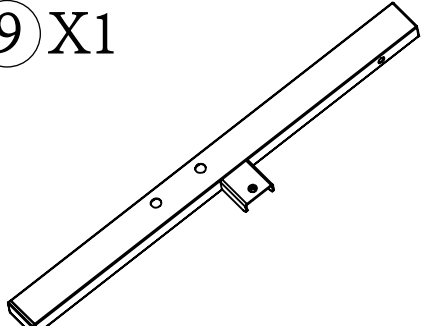
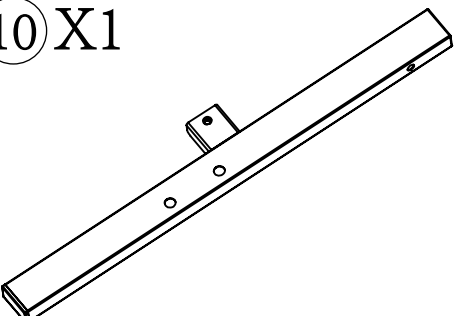
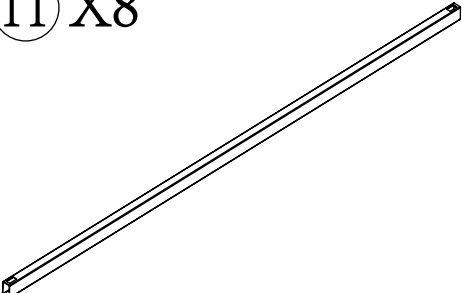
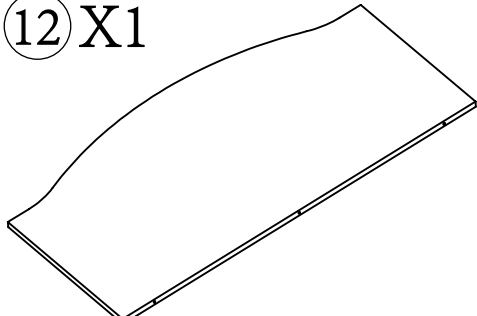
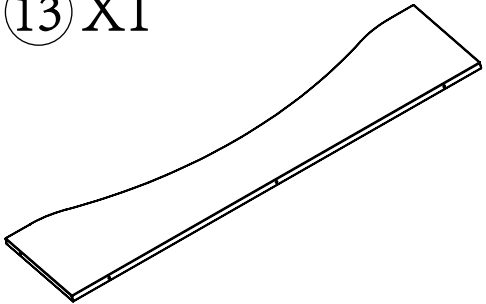

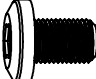

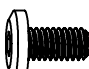

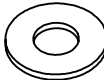

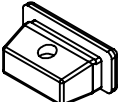
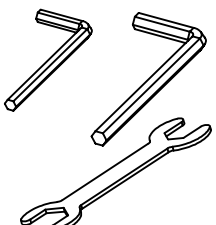
Assembly Instruction



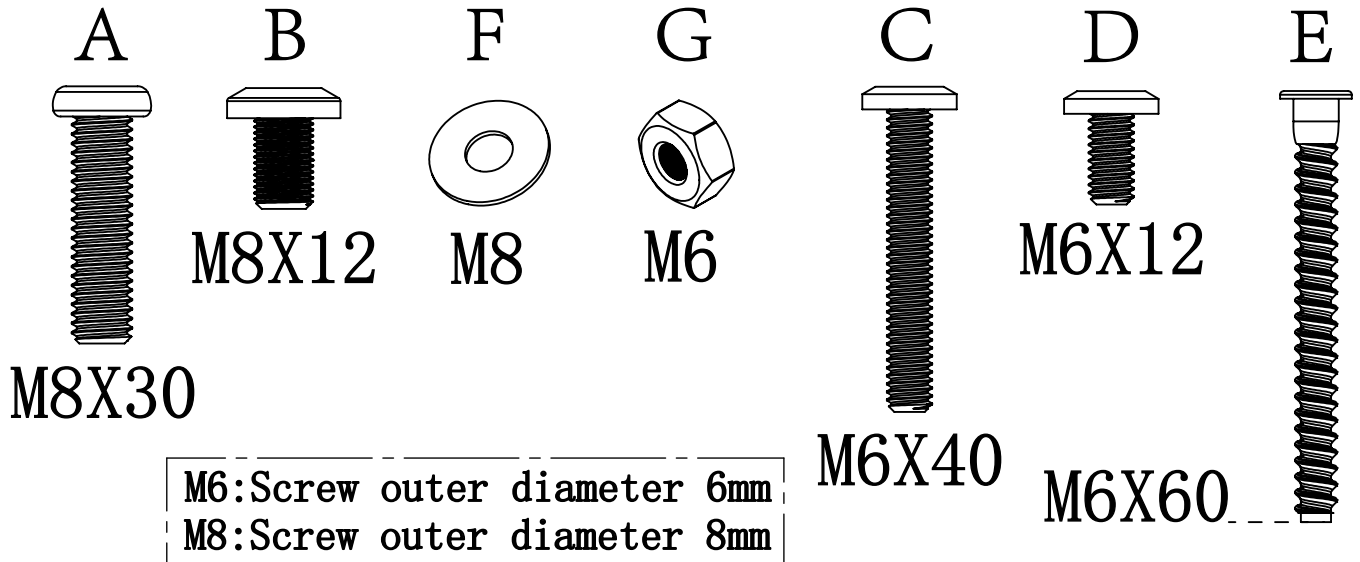
★:Important Note

HARDWARE NOTE:

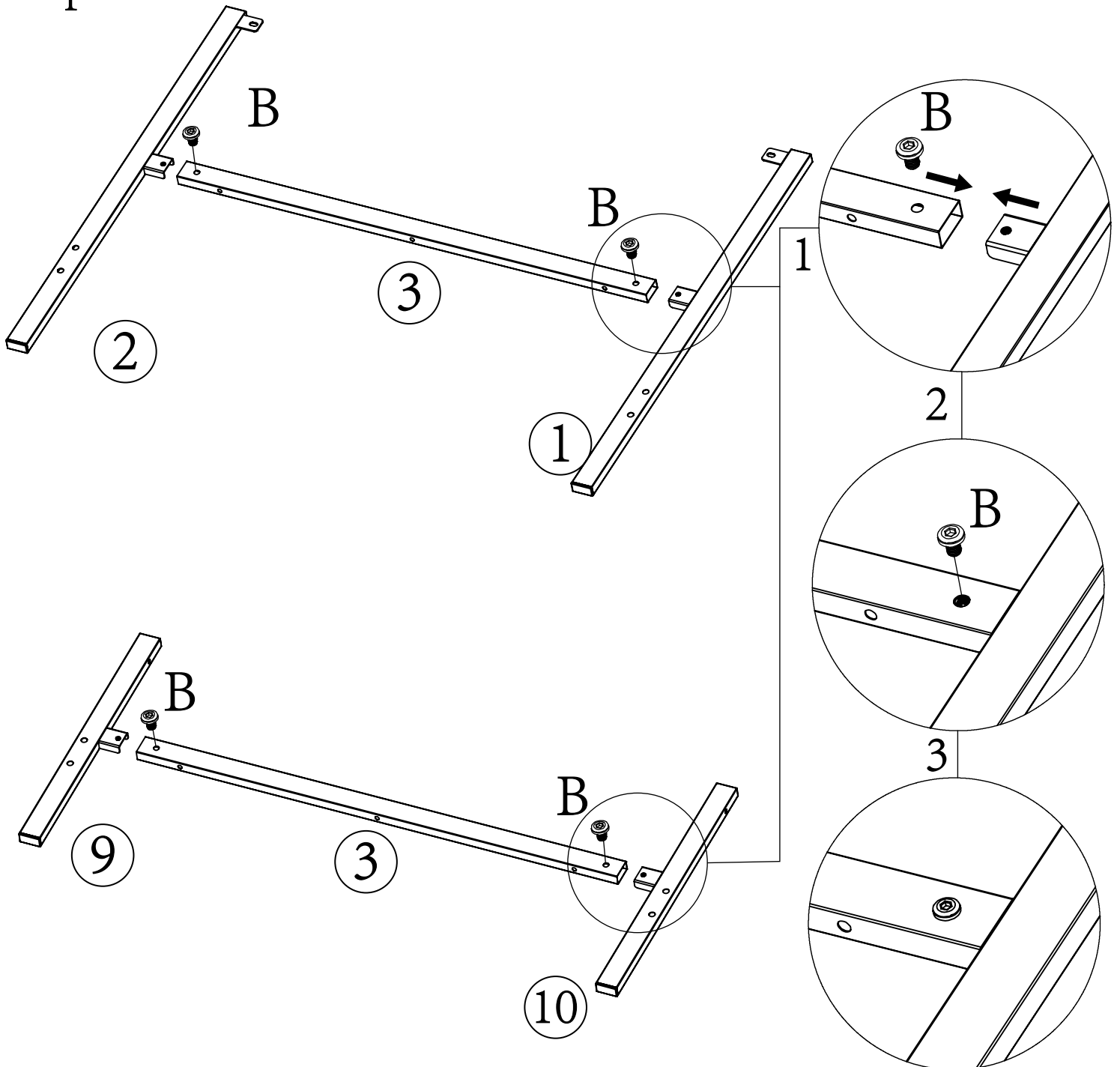
1. Two or more people are required for assembly
2. Do not screw on the bolts too tight unless the installation is done. Make sure all bolts are tightly screwed before you use it.

<p>① X1</p> 	<p>② X1</p> 	<p>③ X2</p> 			
<p>④ X2</p> 	<p>⑤ X2</p> 	<p>⑥ X2</p> 			
<p>⑦ X1</p> 	<p>⑧ X2</p> 	<p>⑨ X1</p> 			
<p>⑩ X1</p> 	<p>⑪ X8</p> 	<p>⑫ X1</p> 			
<p>⑬ X1</p> 	<p>A X8</p>  <p>M8X30</p>	<p>B X8</p>  <p>M8X12</p>	<p>C X8</p>  <p>M6X40</p>		
<p>D X2</p>  <p>M6X12</p>	<p>E X8</p>  <p>ST6X60</p>	<p>F X8</p>  <p>M8</p>	<p>G X4</p>  <p>M6</p>	<p>L X16</p> 	

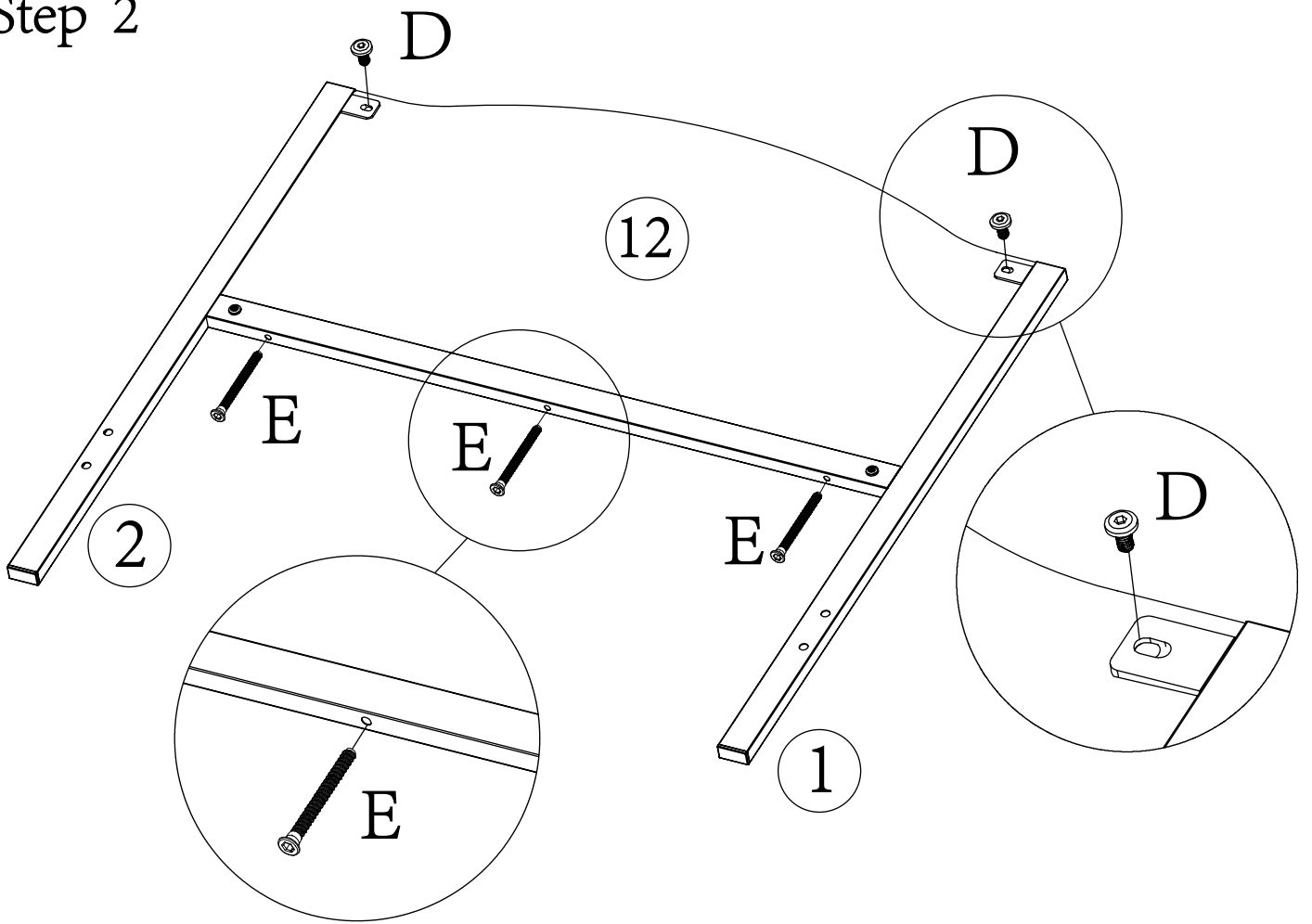
Difference screws display(1:1)



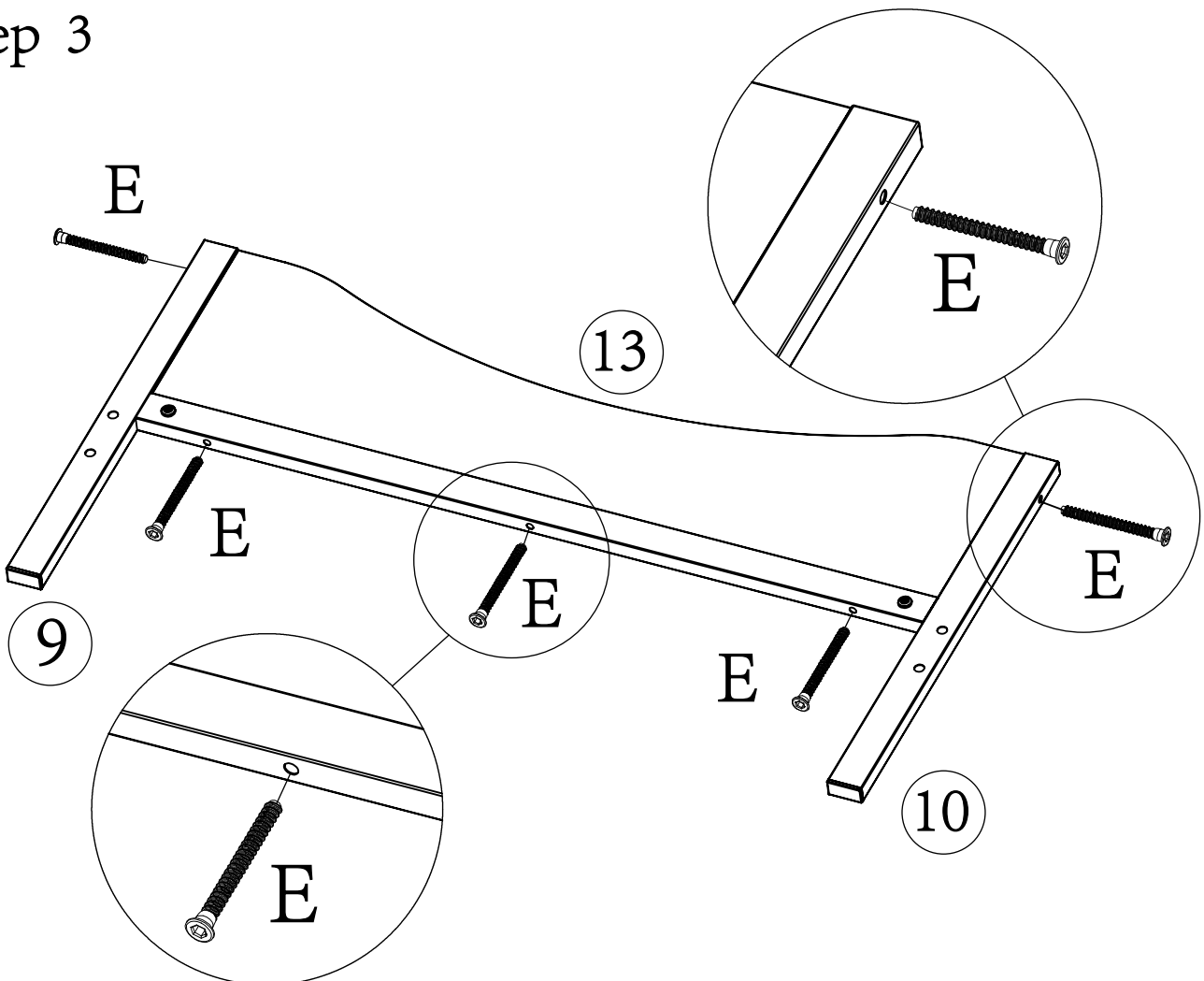
Step 1



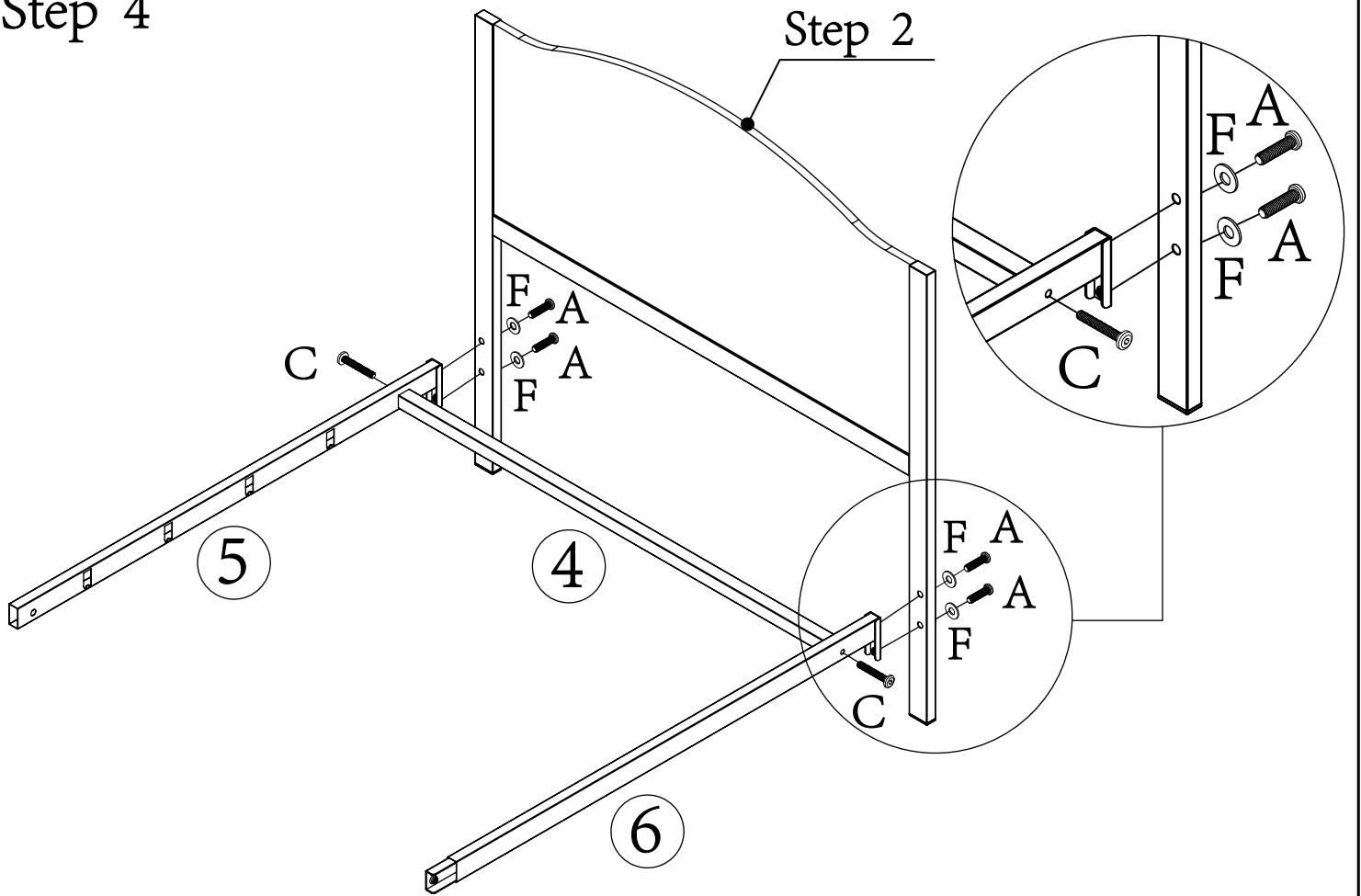
Step 2



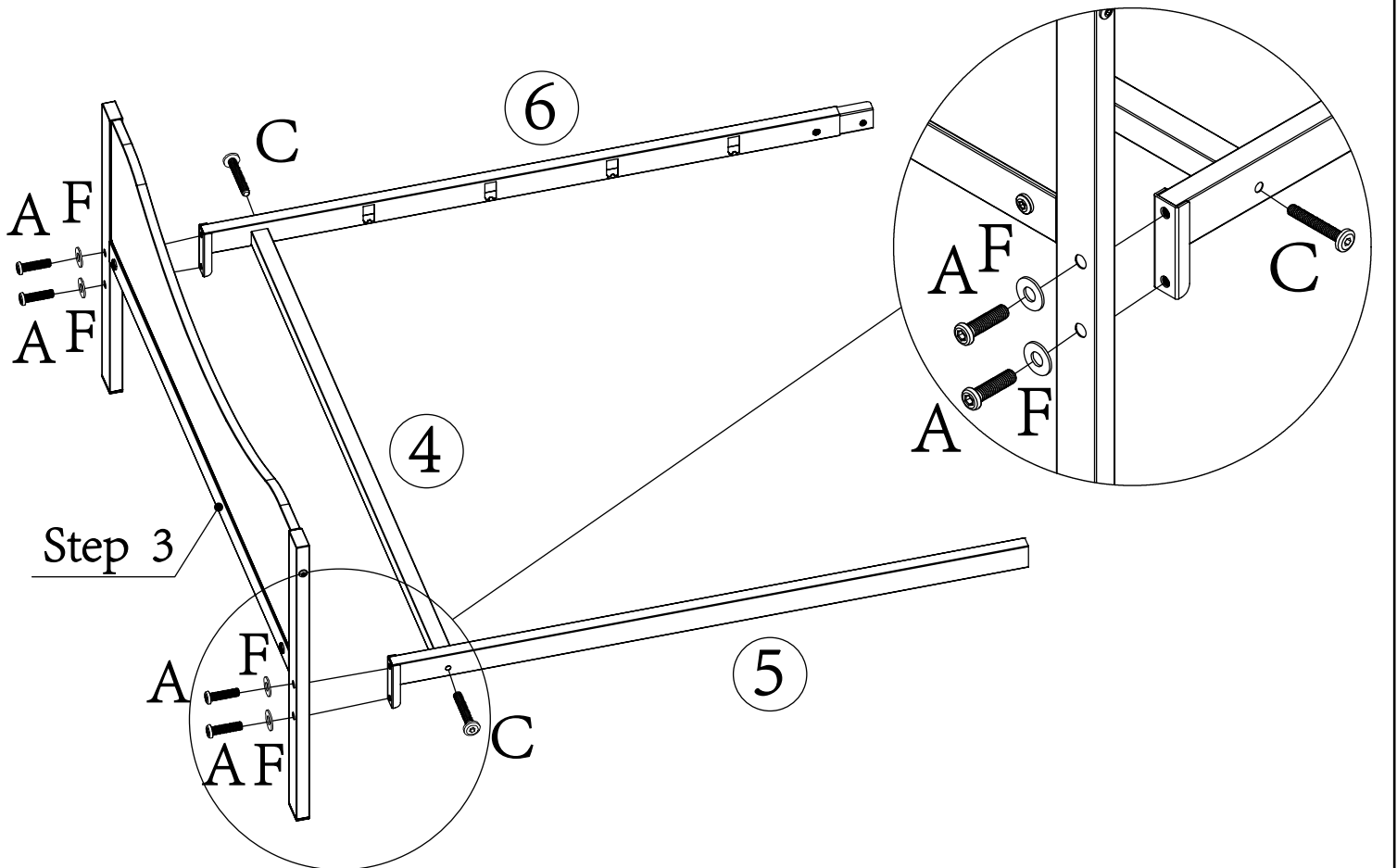
Step 3



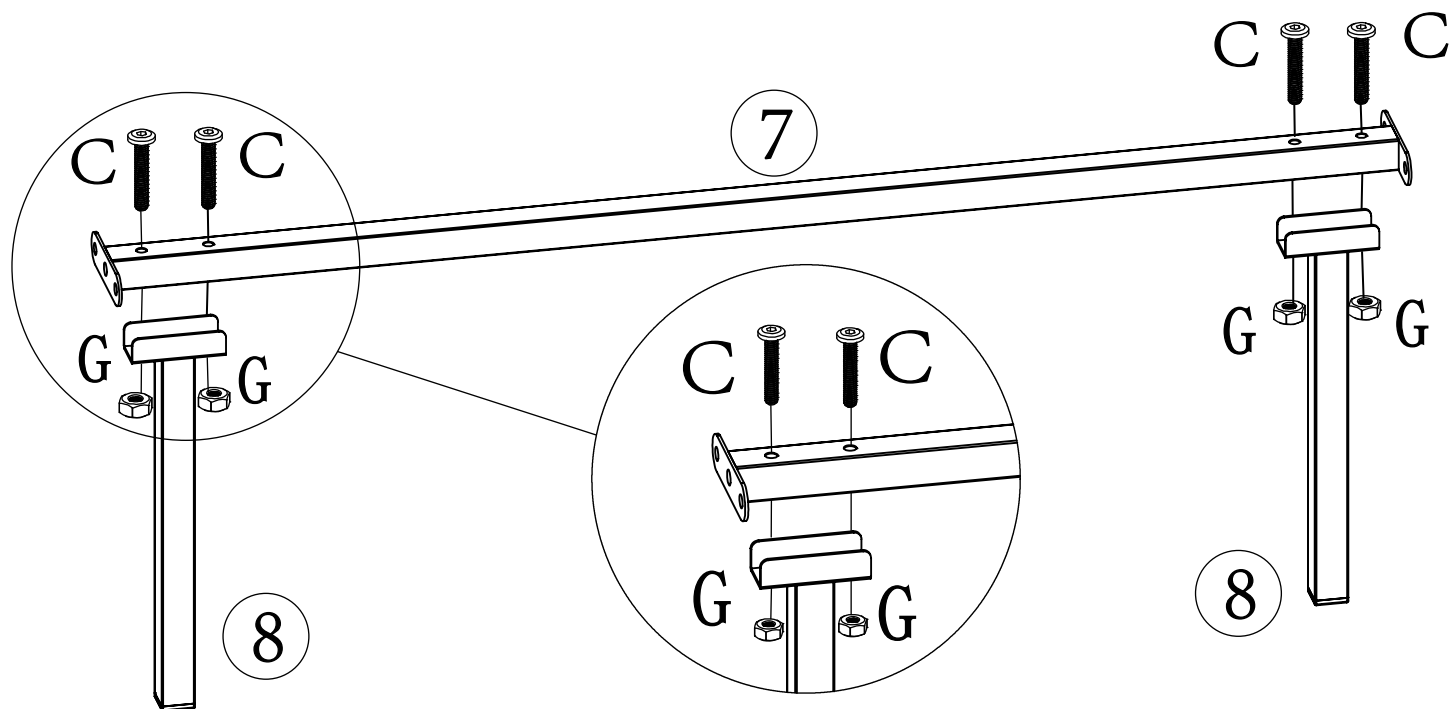
Step 4



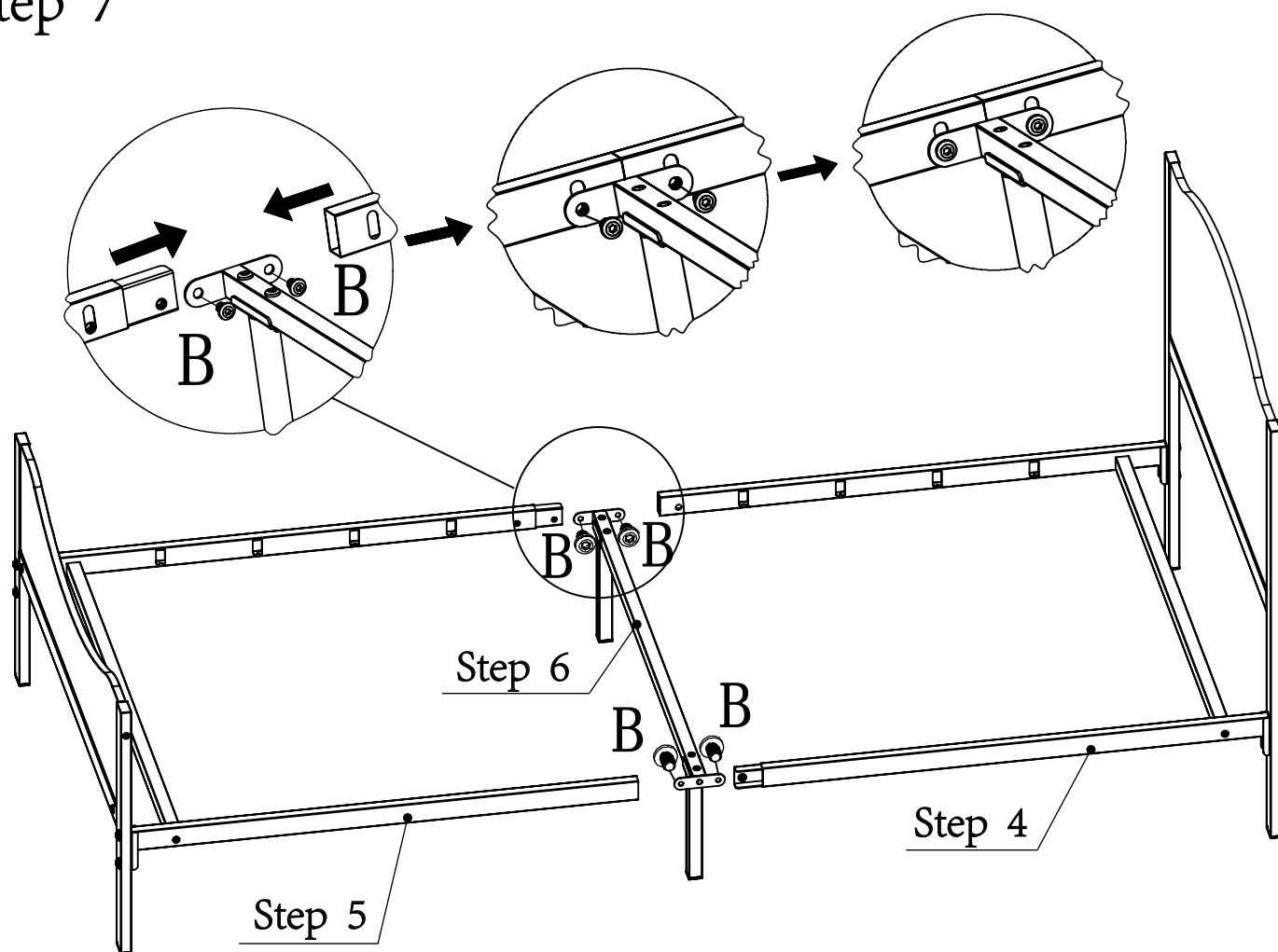
Step 5



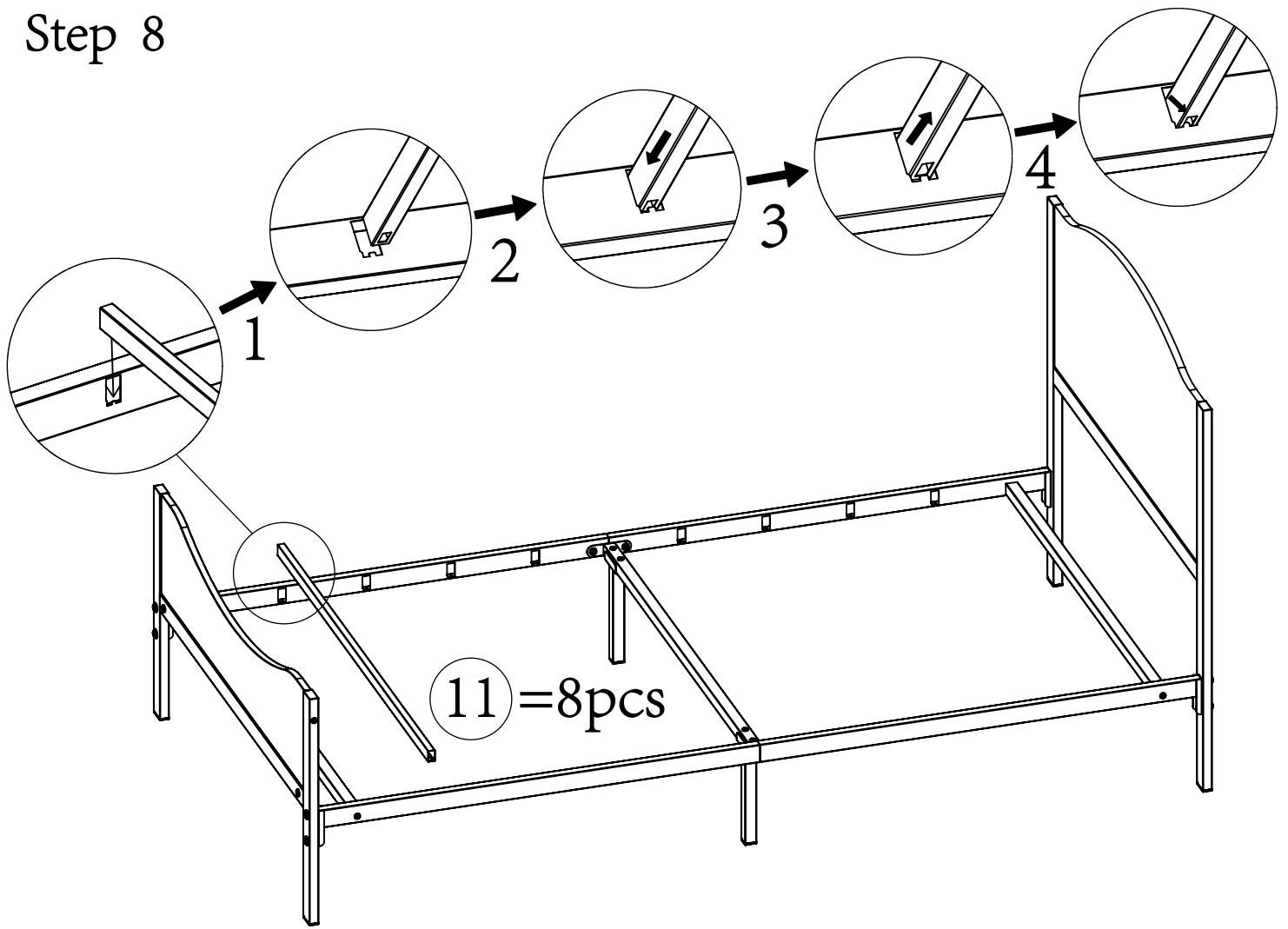
Step 6



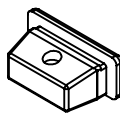
Step 7



Step 8



Step 9

 L=16PCS

