

ASSEMBLY INSTRUCTION



ASSEMBLY INSTRUCTION

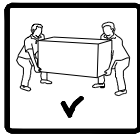
ASSEMBLY TIPS:

- 1.Remove hardware from box and sort by size.
- 2.Please check to see that all hardware and parts are present prior to start of assembly.
- 3.Please follow attached instructions in the same sequence as numbered to assure fast & easy assembly.



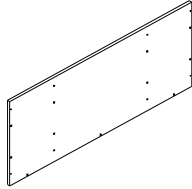
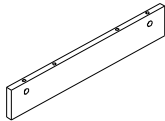
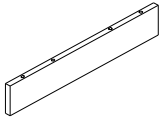
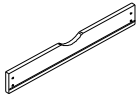
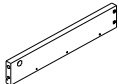
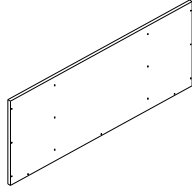
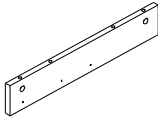
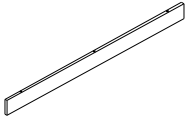

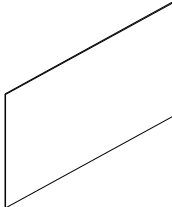
Warning!!

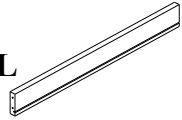
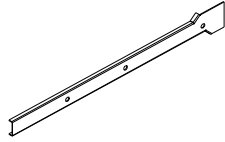
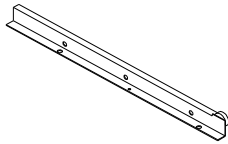
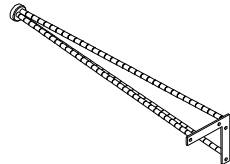
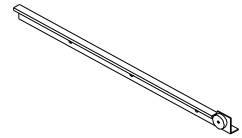
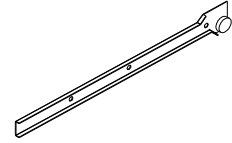
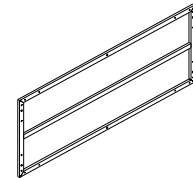
- 1.Don't attempt to repair or modify parts that are broken or defective. Please contact the store immediately.
- 2.This product is for home use only and not intended for commercial establishment.













ASSEMBLY TIME PER UNIT: 50 MINUTES

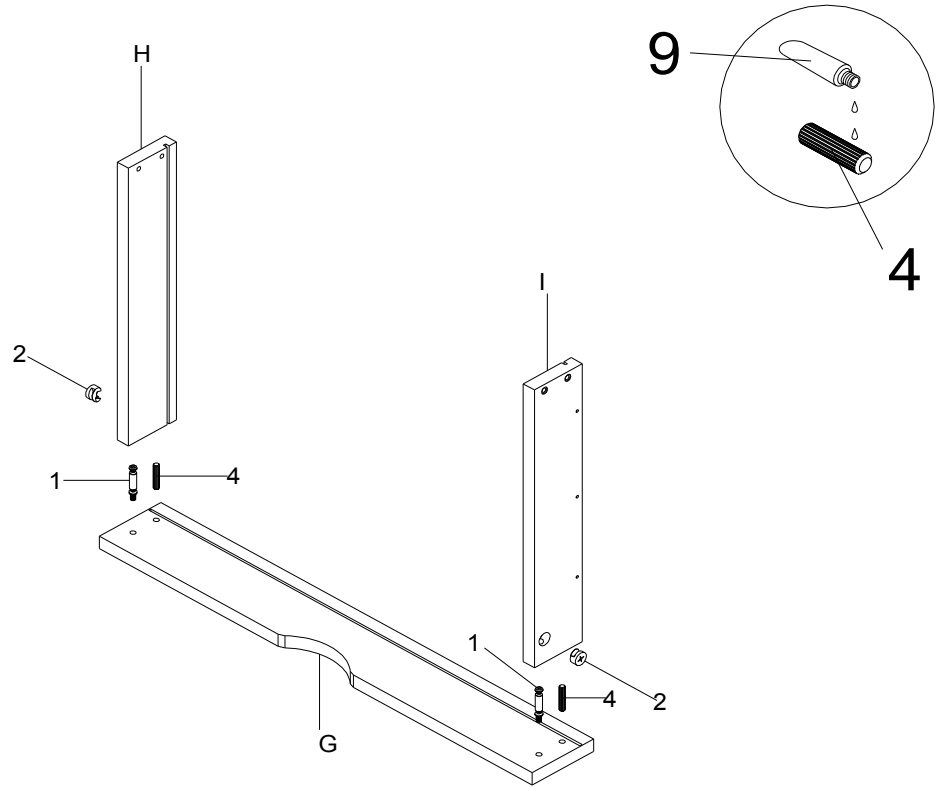
PARTS IDENTIFICATION

<p>A</p> <p>TOP PANEL  1PC</p> <p>C</p> <p>SIDE PANEL  2PCS</p> <p>E</p> <p>RIGHT FRAME  1PC</p> <p>G</p> <p>DRAWER FRONT PANEL  1PC</p> <p>I</p> <p>DRAWER RIGHT PANEL  1PC</p>	<p>B</p> <p>BOTTOM PANEL  1PC</p> <p>D</p> <p>LEFT PANEL  1PC</p> <p>F</p> <p>BACK PANEL  1PC</p> <p>H</p> <p>DRAWER LEFT PANEL  1PC</p> <p>J</p> <p>DRAWER BOTTOM PANEL  1PC</p>
---	--

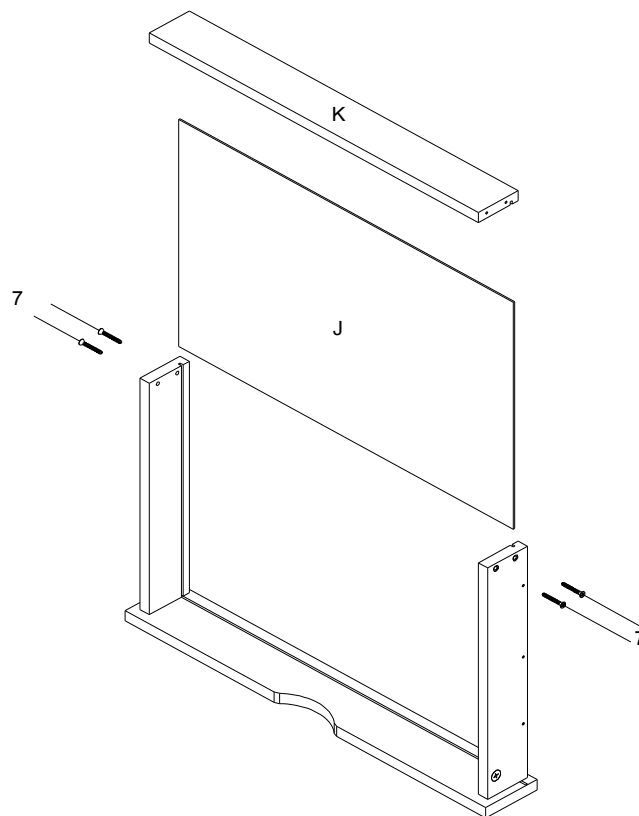
K**DRAWER BACK PANEL****1PC****M****LEFT RAIL****1PC****O****DRAWER LEFT
KEYBOARD RAIL****1PC****Q****LEG****4PCS****L****DRAWER RIGHT
KEYBOARD RAIL****1PC****N****RIGHT RAIL****1PC****P****FRAME****1PC****HARDWARE PACKAGE**

Z	DESCRIPTION	FIGURE	Q'TY
1	CAM BOLT		10PCS
2	CAM LOCK		10PCS
3	LARGE WOOD DOWEL		11PCS
4	SMALL WOOD DOWEL		2PCS
5	LONG BOLT		6PCS
6	SHORT BOLT		16PCS
7	LONG SCREW		19PCS
8	SHORT SCREW		12PCS
9	GLUE		1PC
10	ALLEN WRENCH		1PC

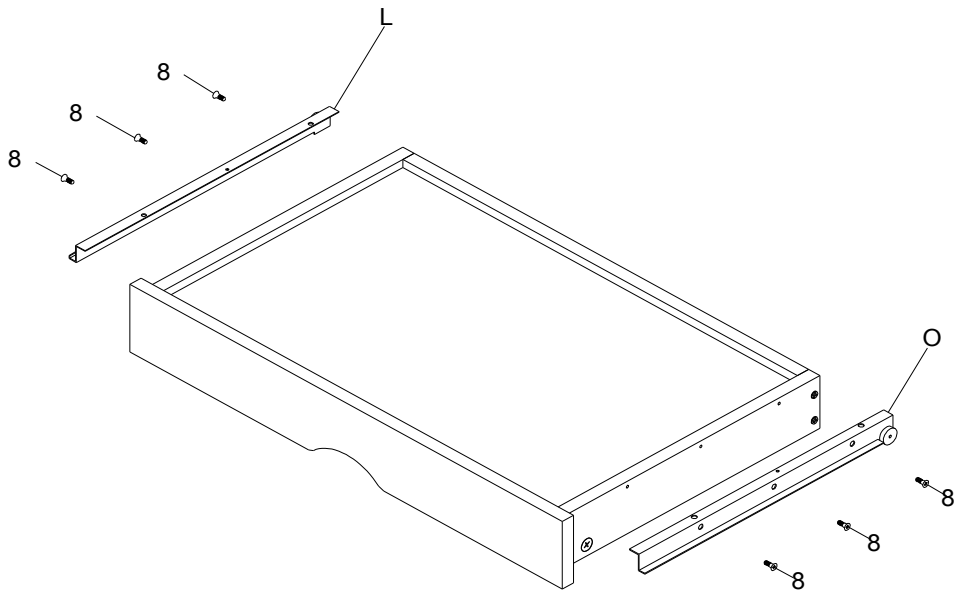
STEP 1



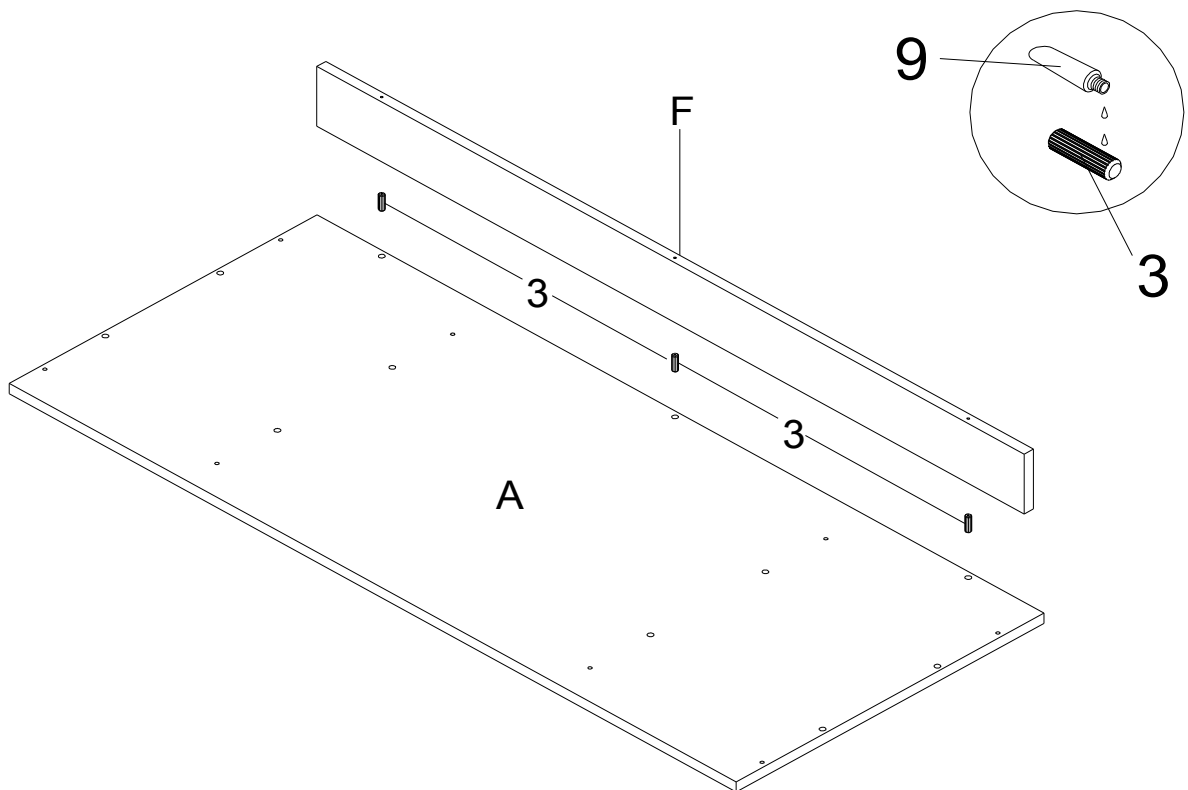
STEP 2



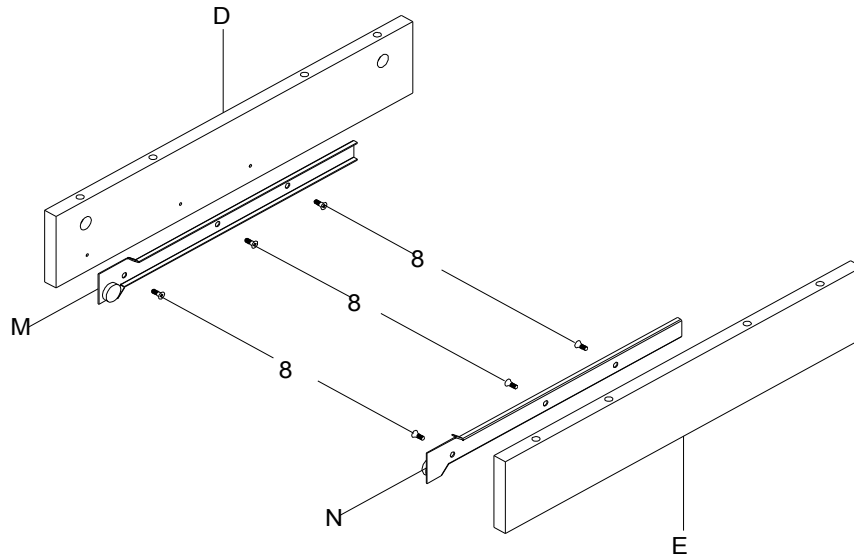
STEP 3



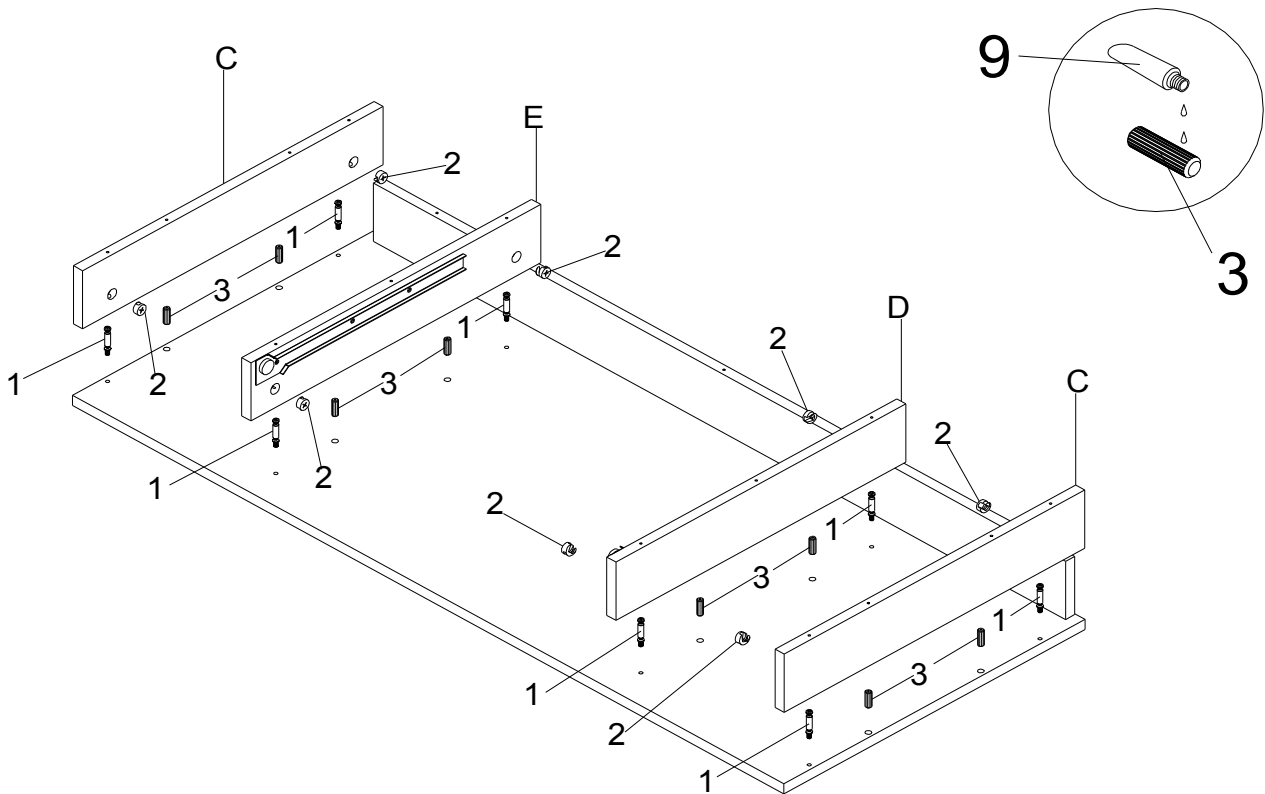
STEP 4



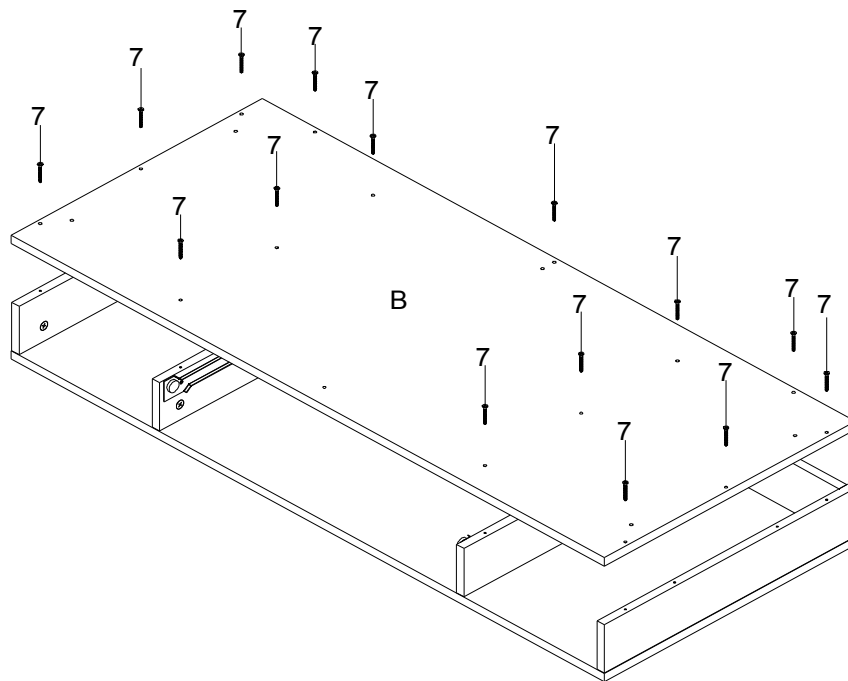
STEP 5



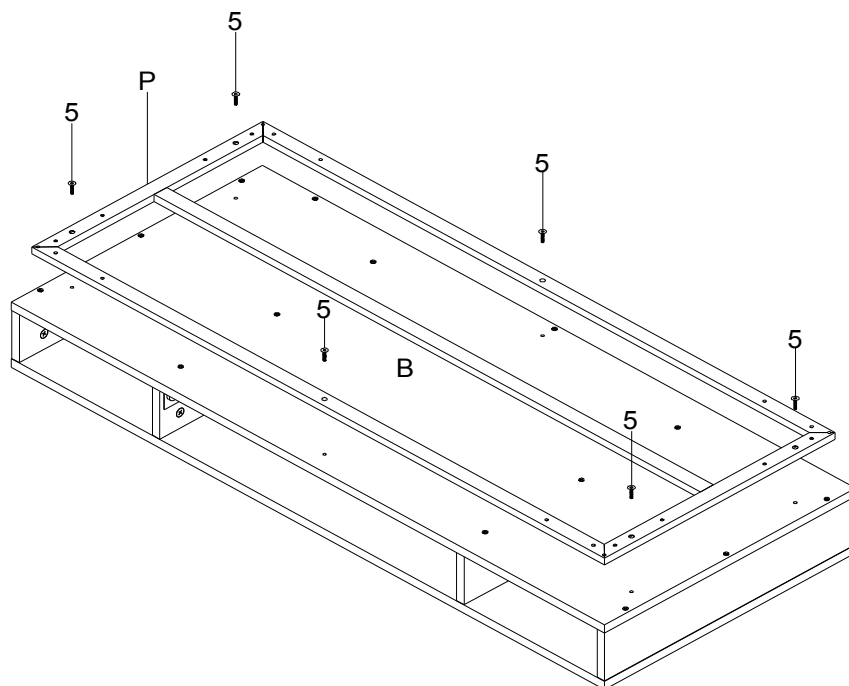
STEP 6



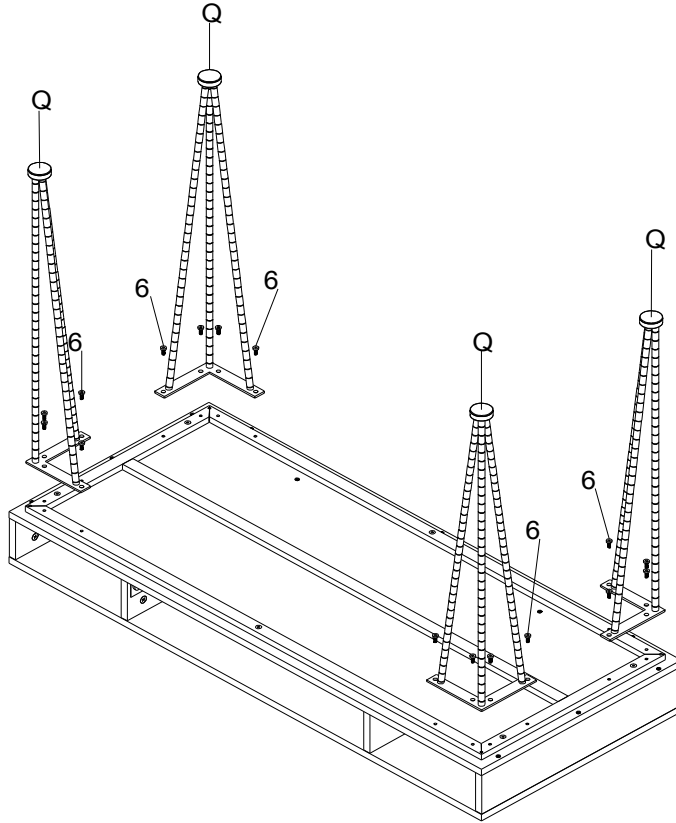
STEP 7



STEP 8



STEP 9



FINISH

