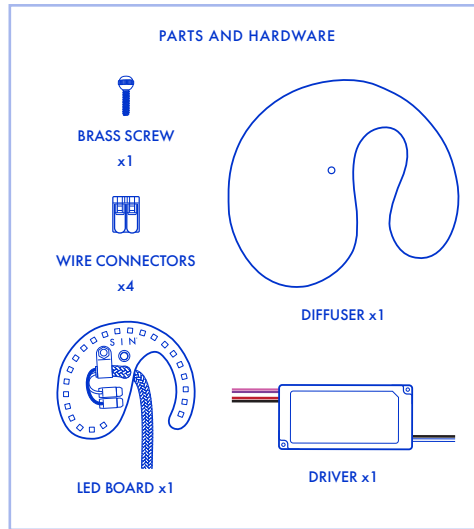


SHAYD PENDANT



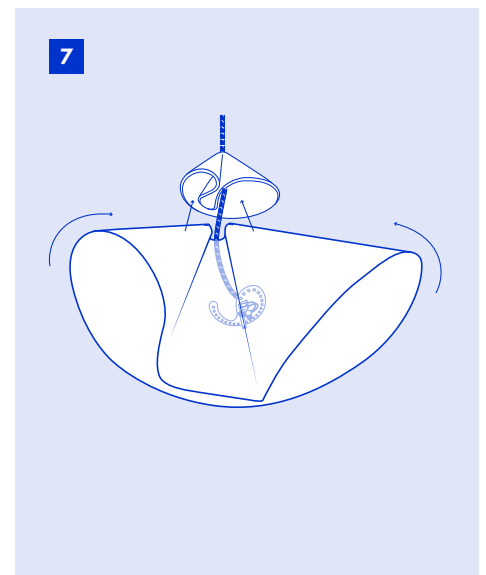
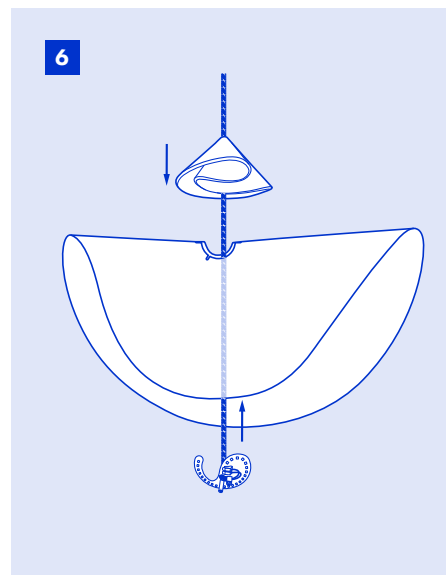
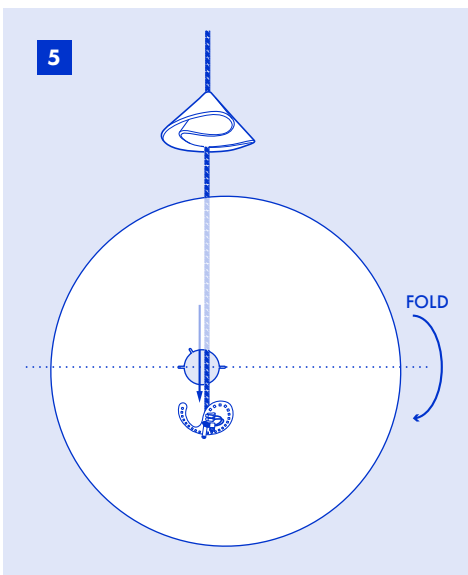
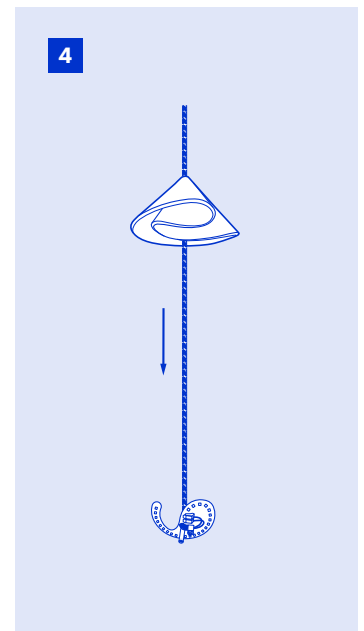
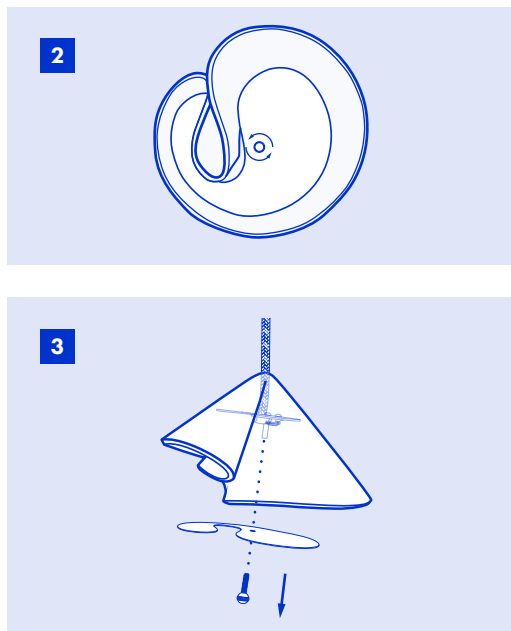
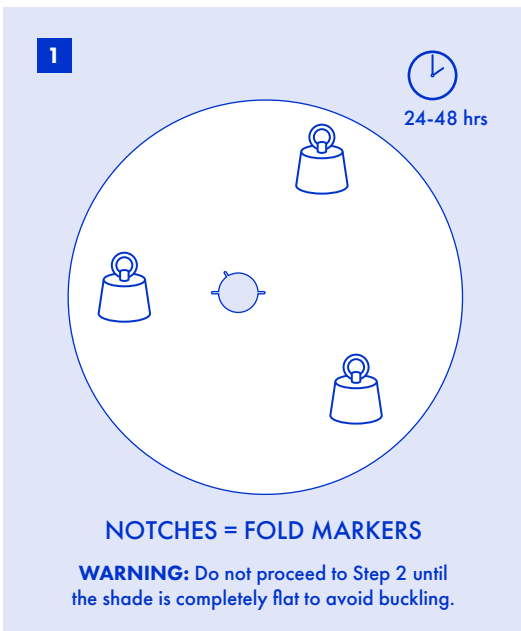
WARNING:

Turn off power at circuit before wiring.
Always consult a licensed electrician.



INSTALLATION INSTRUCTIONS

- 1 Unroll the SHAYD shade on a clean, flat surface and weigh down all edges. Let it sit 24–48 hours, or until fully flat.
- 2 Unscrew the brass screw at the bottom of the diffuser, separating it from the LED board.
- 3 Remove brass screw and diffuser, set aside.
- 4 Pull the LED board out of ceramic shade so it is approx 2 ft away from ceramic shade.
- 5 Insert the LED board through cut-out hole in shade, aligning markings with the diagram.
- 6 Gently fold the shade using notches as guides, DO NOT press hard or creases may form.
- 7 Shape shade to match the shape of the ceramic form, then slide it inside the ceramic shade.



SHAYD PENDANT

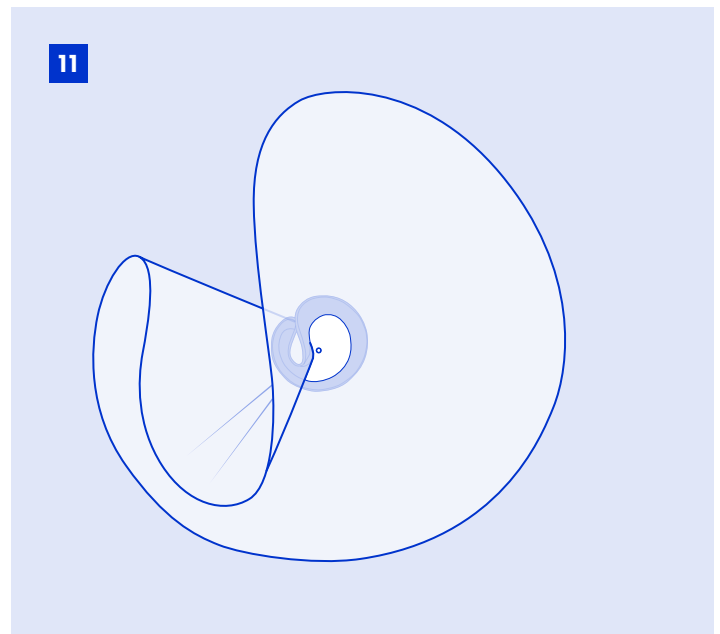
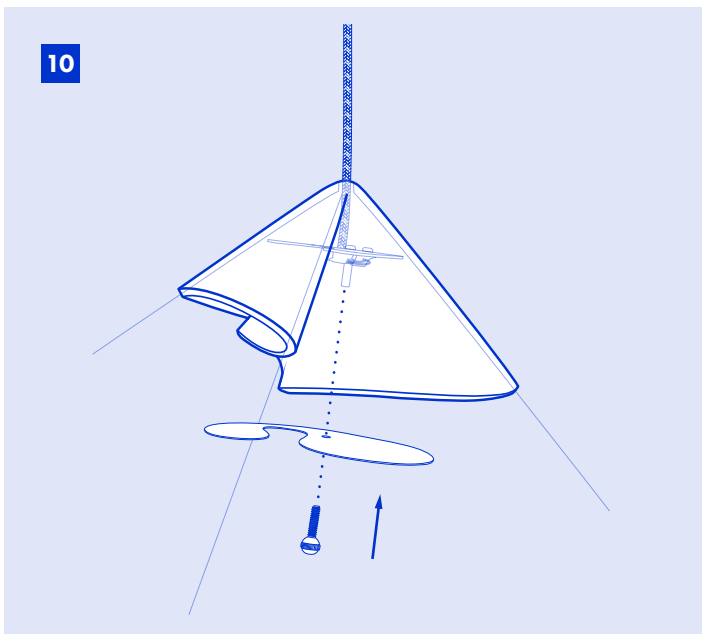
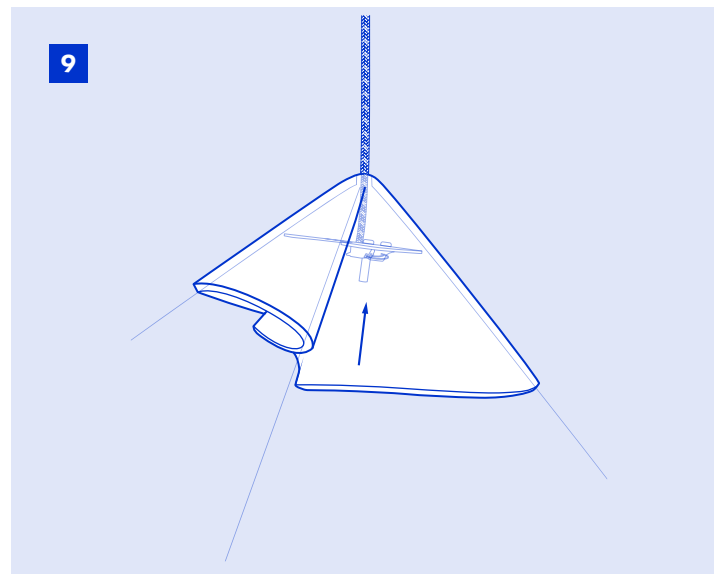
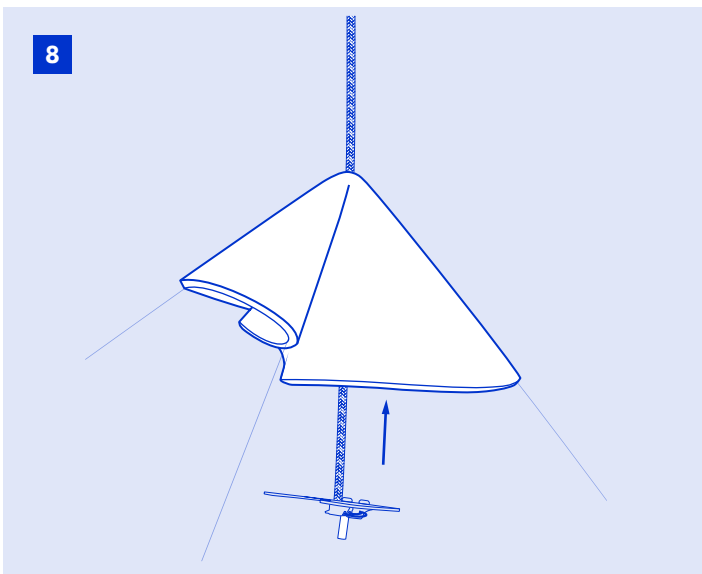


WARNING:

Turn off power at circuit before wiring.
Always consult a licensed electrician.

INSTALLATION INSTRUCTIONS (CONT.)

- 8** Slide the LED board into place so it rests in the cone, with the shade positioned between the ceramic and the board.
- 9** Adjust the placement of the LED board as needed to follow the shape of the interior of the shade.
- 10** Insert the diffuser so it fits snugly in the fixture, with the hole aligned to the metal standoff. Secure it in place with the brass screw.
- 11** Adjust placement of the diffuser as needed so it follows the shape of the interior of shade.



SHAYD PENDANT



WARNING:

Turn off power at circuit before wiring.
Always consult a licensed electrician.

INSTALLATION INSTRUCTIONS (CONT.)

- 12 Thread cord through canopy and crossbar, make electrical connections, and place driver into J-box. Attach crossbar to J-box, and attach canopy.

