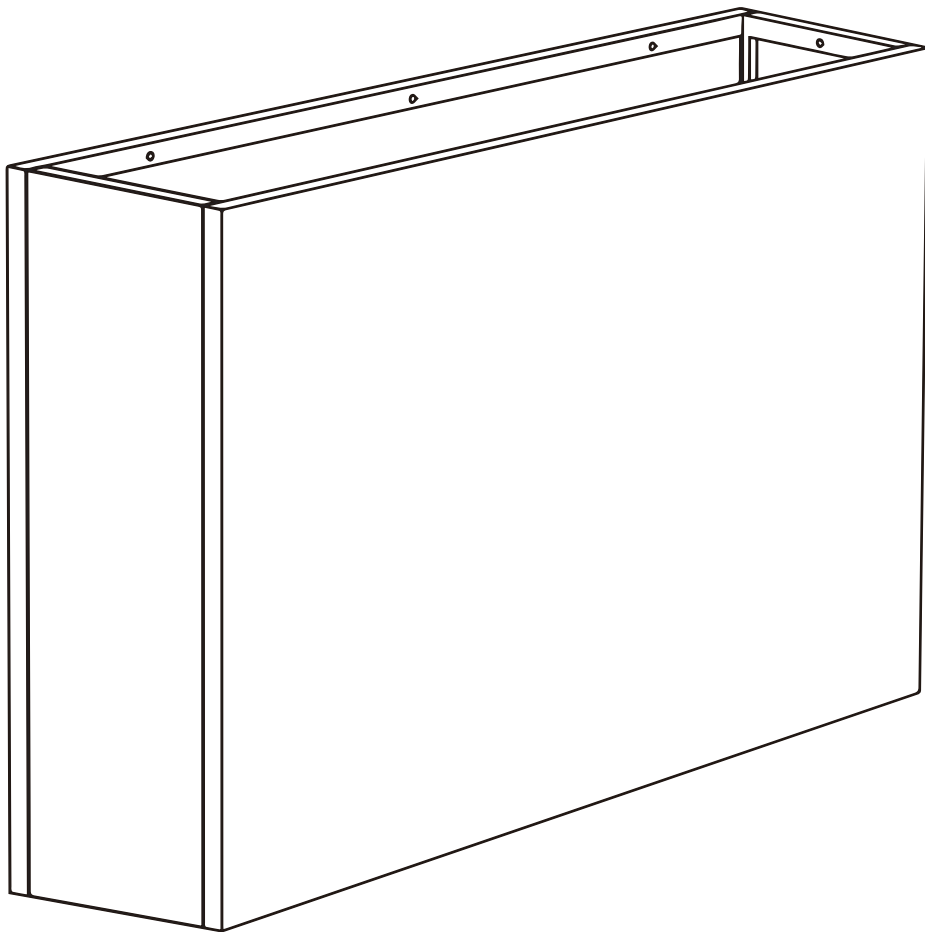
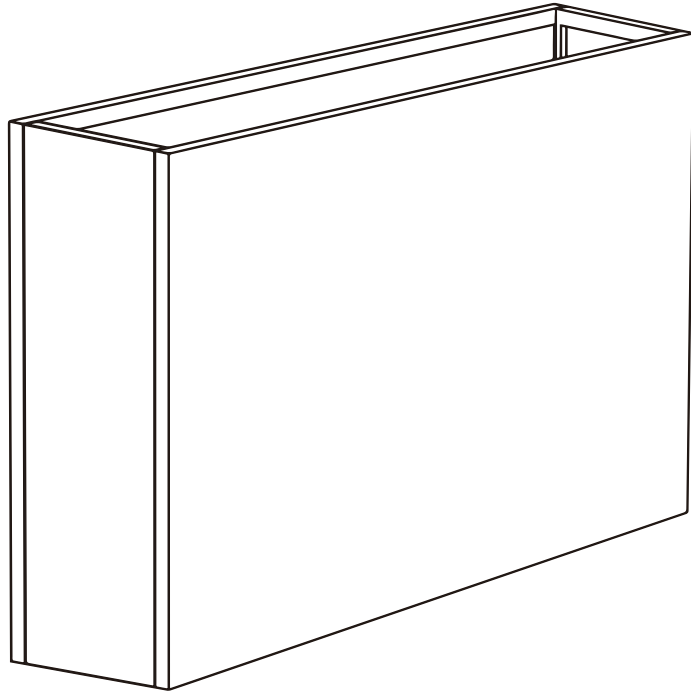


METAL PLANTERS



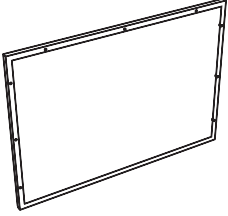

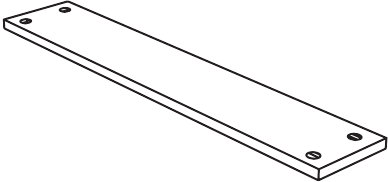
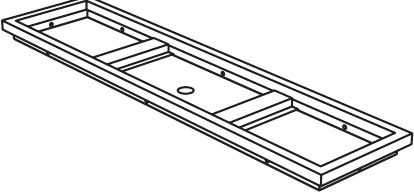
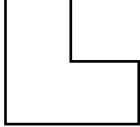




Before You Start

Please read the instructions carefully to familiarize yourself with every detail and step involved. Keep this manual for future reference. Find a suitable space to assemble Fancy Metal Planters.

Important Notes

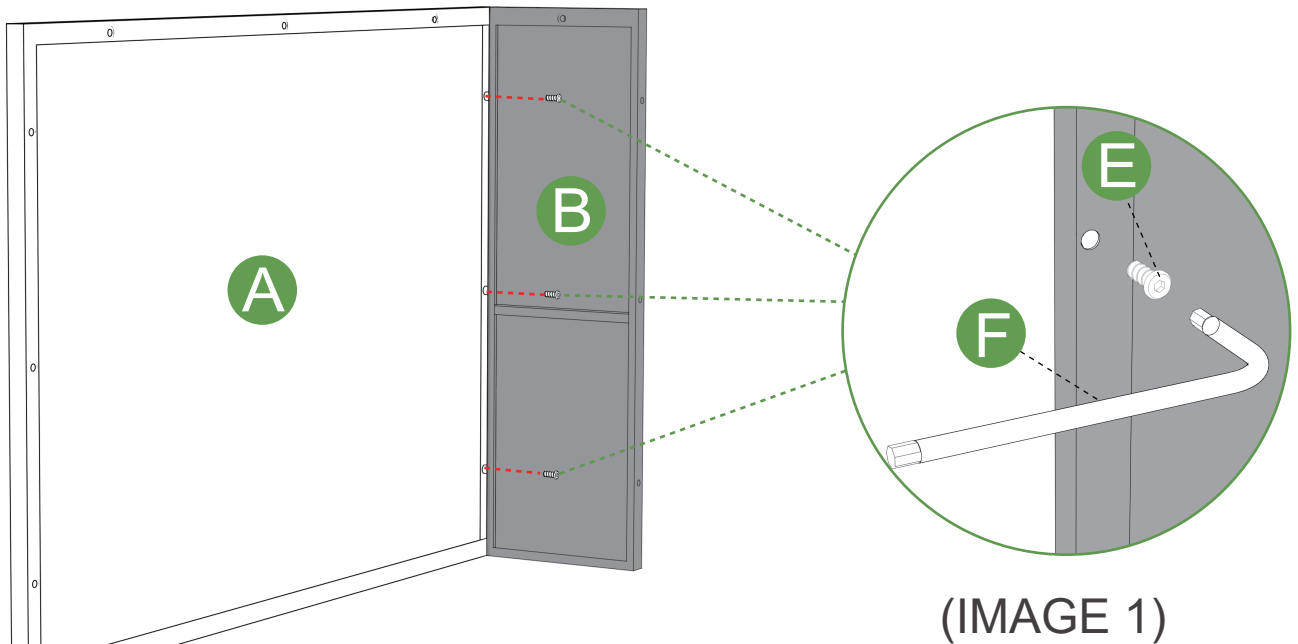
Small parts are included; we advise you to keep them away from children and pets.

NO.	PARTS	QTY
A		2PCS
B		2PCS
C		1PC
D		1PC
E		4PCS
F	 M6*10MM	20PCS
G		1PC

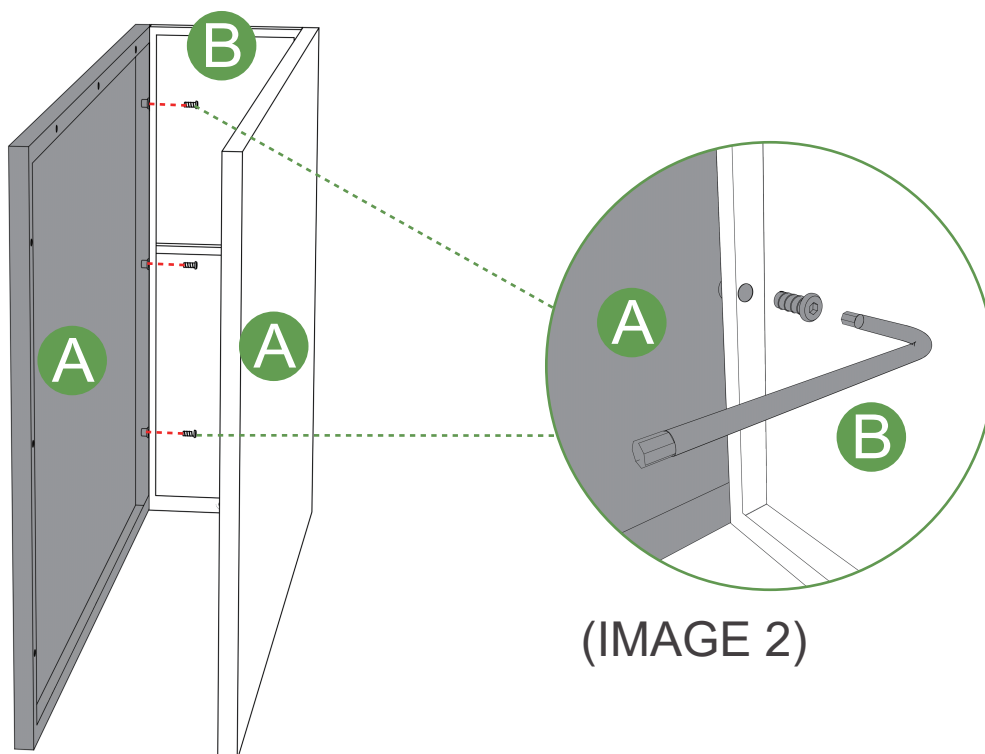
Assembly

1. Connect panel A and panel B with screws, ensuring that the bottom of the planter faces upwards. **IMAGE 1**
2. Then, connect the second panel A and panel B with screws, ensuring that the bottom of the planter faces upward. **IMAGE 2**

Bottom of the planter (with screw holes)



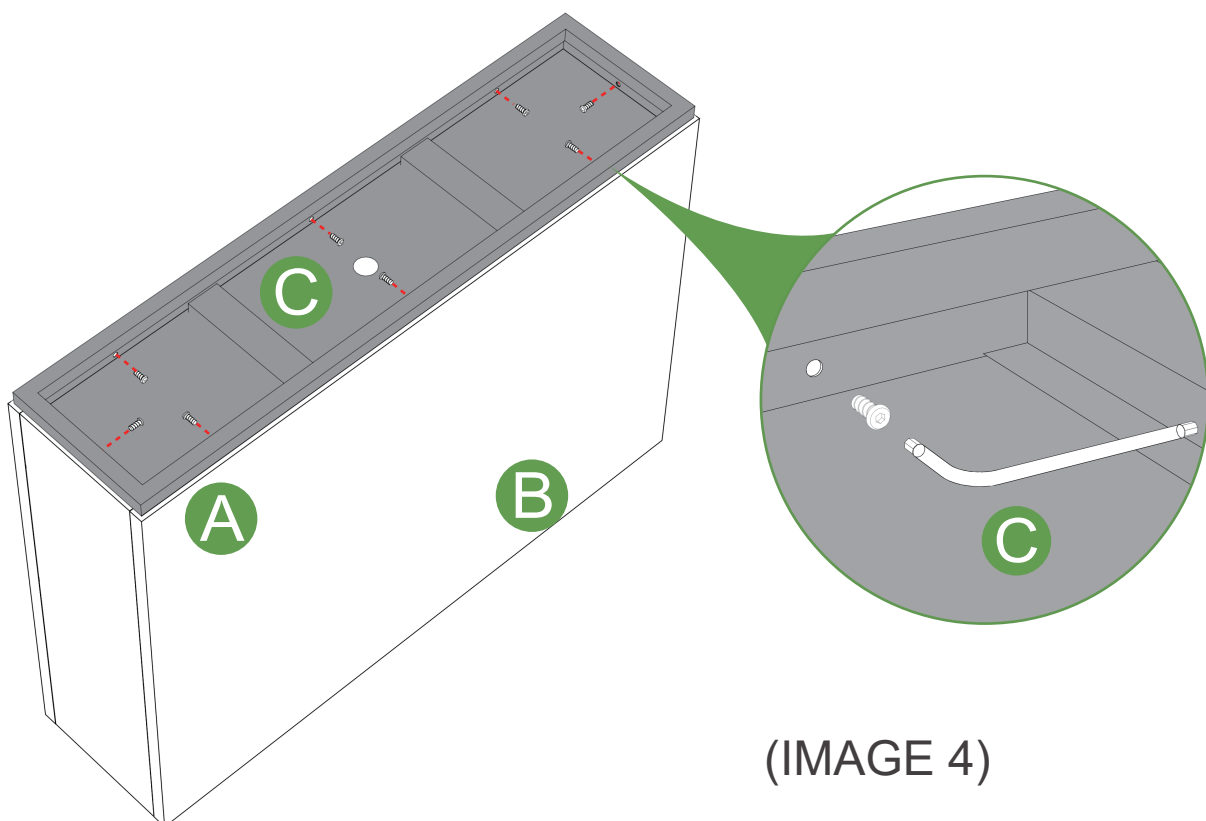
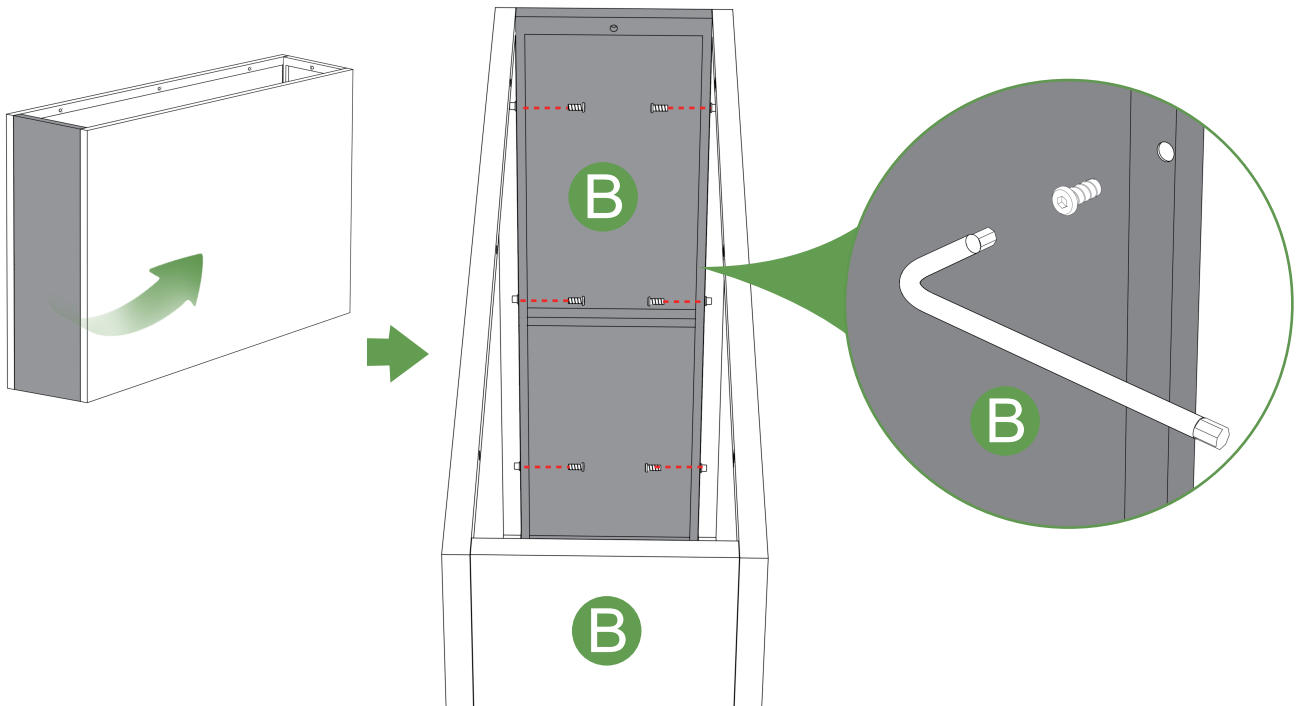
Top of the planter (without screw holes)



Assembly

3. Next, connect the second panel B and two panels A with screws, ensuring that the bottom of the planter faces upwards. **IMAGE 3**

4. Finally, connect the bottom panel C with four panels using screws. **IMAGE 4.**



Assembly

5. Attach four foot pads to the four corners. After flipping the planter, the installation is complete.

