

# **WARNING!!**

## **Furniture Tipping Risk.**

**Serious risk of severe or fatal crush injuries can occur from furniture tipping over if not secured.**

**Children like to climb on furniture and Unsecured furniture can pose a serious danger.**

**Please follow all instructions and install the tip-over restraints provided.**











**In addition to installing the restraints, to help prevent tip-over:**

- 1. Place heaviest items in the lowest drawers,**
- 2. Unless specifically designed to accommodate, do not set TV's or other heavy objects on top of this product,**
- 3. Never allow children to climb or hang on drawers, doors, or shelves,**
- 4. Do no leave drawers open,**
- 5. Never open more than one drawer at a time, and**
- 6. Do not step on the base.**

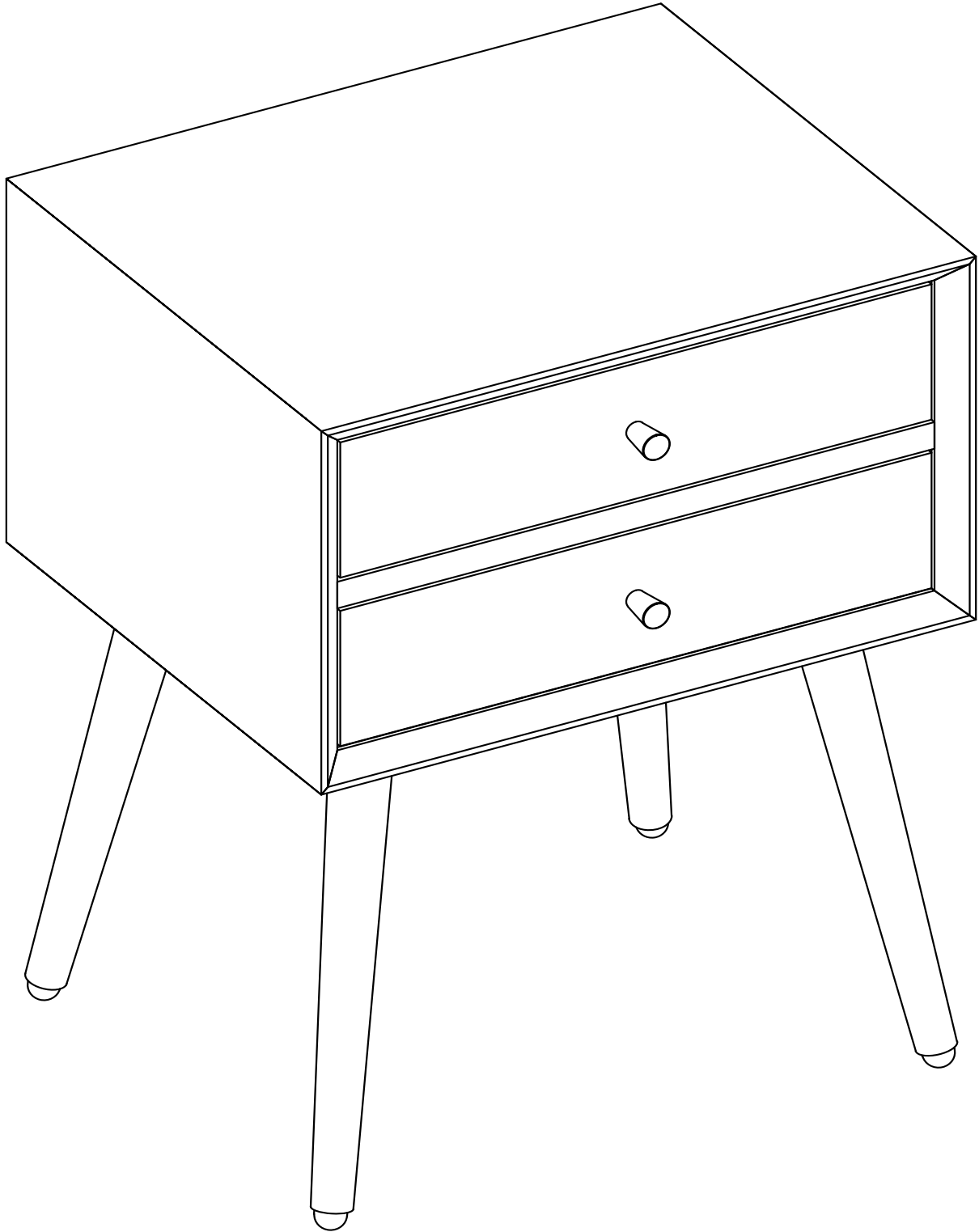
# Assembly Instructions

**CAUTION: You must read these Assembly Instructions before you proceed.**

## Care & Maintenance

- ⊘  ● Not for commercial use. For residential use only.
- ✓  ● Furniture may scratch floors. We recommend using furniture pads to protect your floors.
- ⊘  ● Do not put hot items directly on furniture surface.
- ⊘  ● Do not clean furniture with harsh cleansers or polish.
- ⊘  ● Do not place furniture under direct sunlight
- ⊘  ● Do not place furniture near heating or cooling vents.
- ⊘  ● Do not write on furniture without a padded barrier to protect the surface.
- ⊘  ● Do not place furniture outside. For indoor use only.
- ⊘  ● Stains may be removed with mild soap solution and damp cloth.
- ⊘  ● Children should not climb or jump on the furniture.
- ✓  ● Dust and pick-up spills using a clean, non-colored, lint-free cloth.

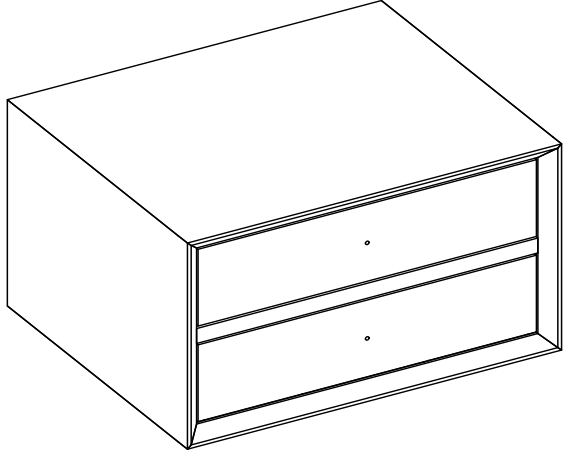
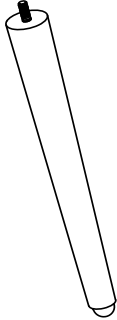
**Please look under the Cabinet for hardware pack.**



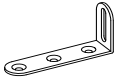
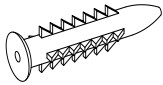
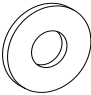
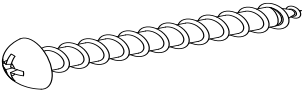
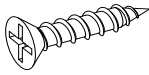
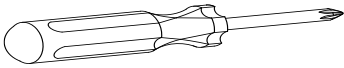
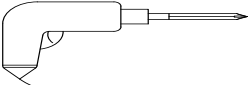
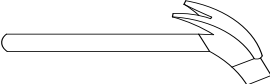
**CAUTION :** This Nightstand is NOT a TOY. Keep your child / children at bay in the process of assembly.

For turning / flipping the nightstand and to prevent damage to the nightstand, 02 persons may be needed to execute this action.

# Parts List

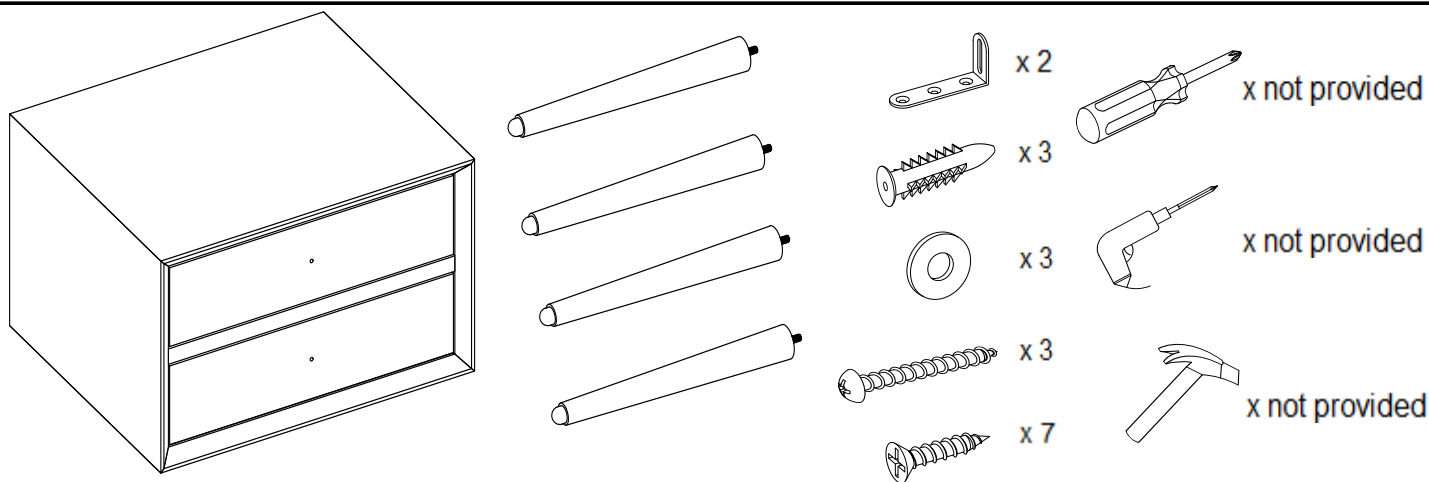
Label	Picture	Description	Qty
A		Cabinet	1
B		Leg	4

## Hardware

Label	Picture	Description	Qty
①		L-shape Metal Brackets	2
②		Plastic Anchor (5F)	3
③		Washer (Ø6,5x18x1mm)	3
④		Self Tapping Screws (M5x 40mm)	3
⑤		Self Tapping Screws (M4x 20mm)	7
⑥		Screwdriver (not provided)	1
⑦		Power Drill (not provided)	1
⑧		Hammer (not provided)	1

# Assembly Preparation

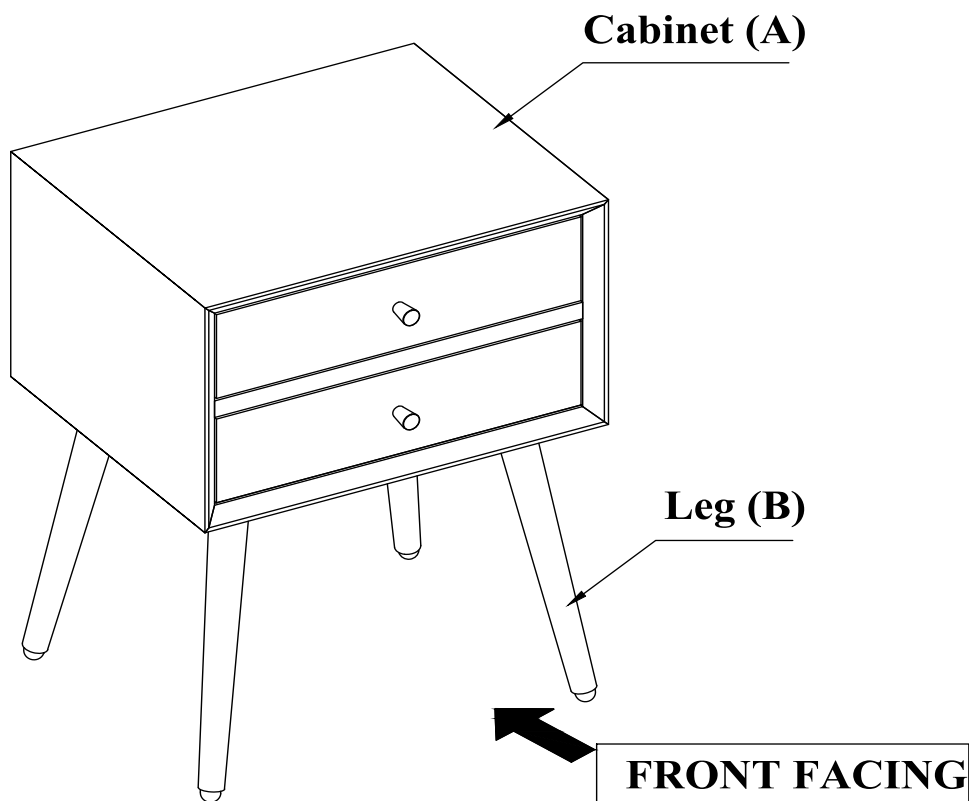
## Before Beginning Assembly:



- Read instructions, cover to cover.
- Have 2 adults on hand for assembly.
- Do not assemble on flooring or carpet.
- Assemble on a clean non-marring surface (packing foam).
- Save all packaging until finished.

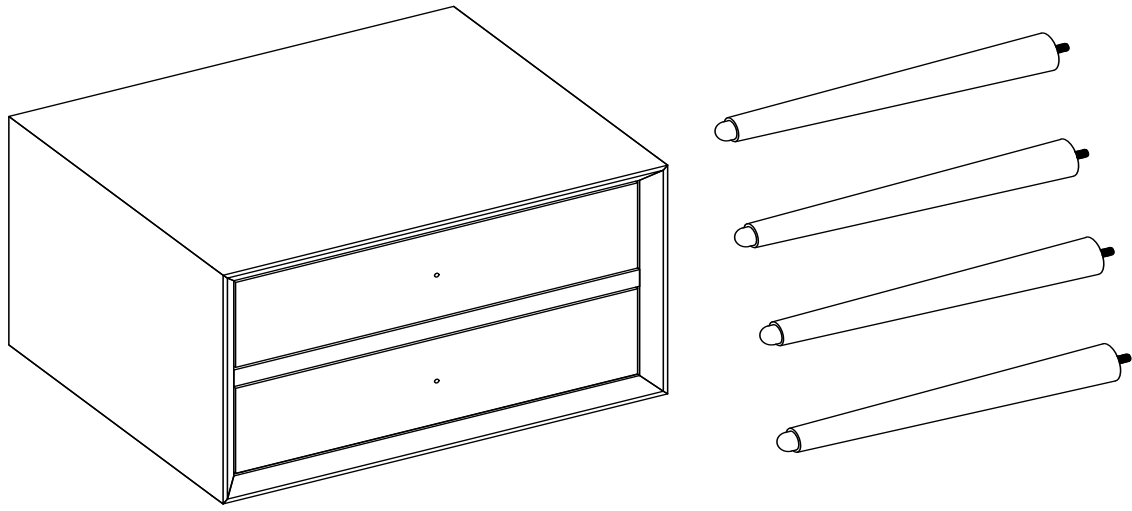
## Assembly Steps

### OVERVIEW



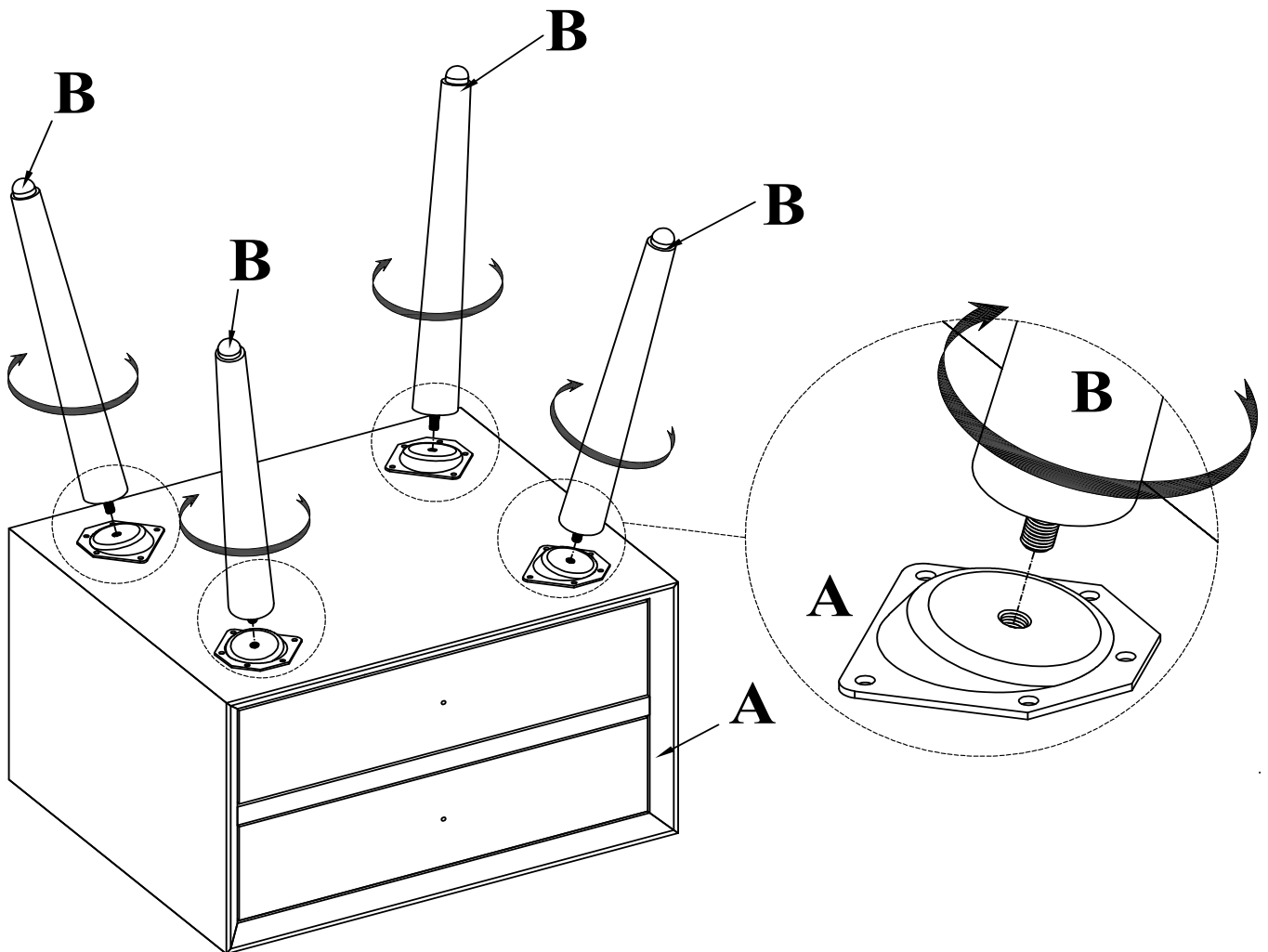
This Nightstand has multiple parts and may require up to 45 minutes to assemble. To give you an overview of the Nightstand parts, the above picture is to help you put the various parts into perspective. Please read through the instructions below to familiarise yourself with the parts and steps before assembly.

## Step 1



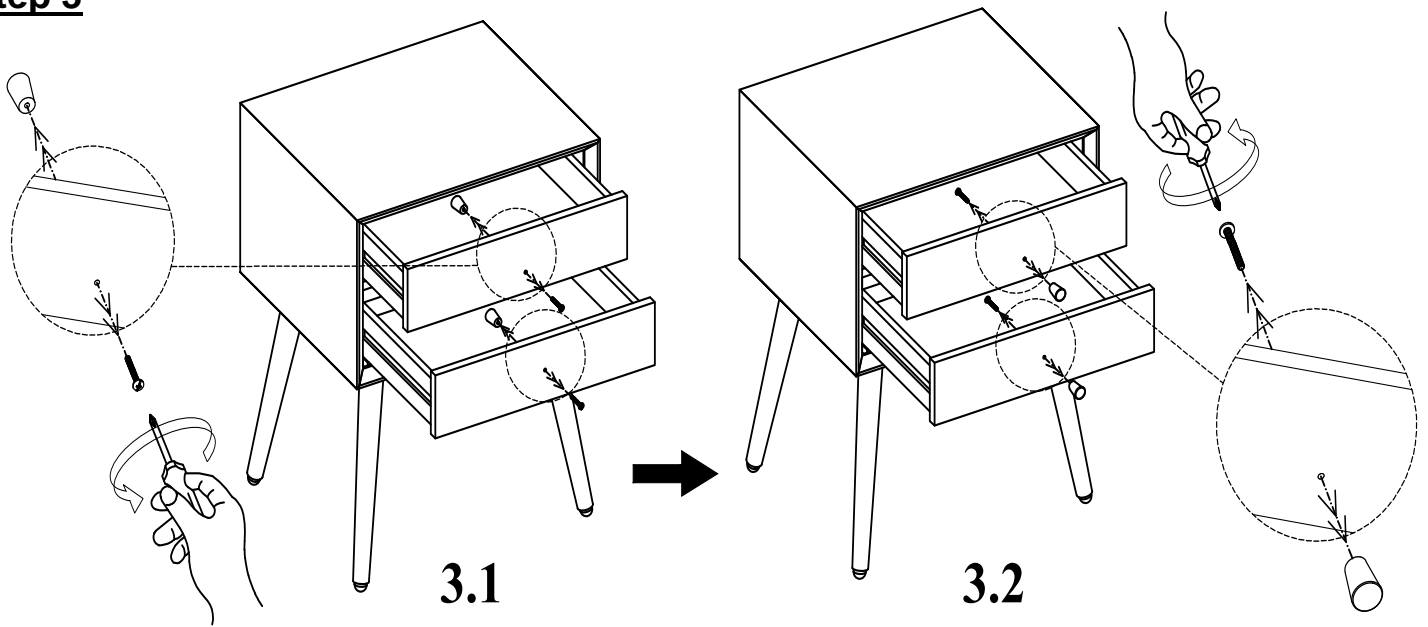
Unpack and place all parts on a clean, non-marring surface.

## Step 2



With assistance from your adult partner, carefully place the Cabinet (A) facedown on a clean, non-marring surface as shown above. Attach the Legs (B) to the Cabinet (A) as shown above.

### Step 3



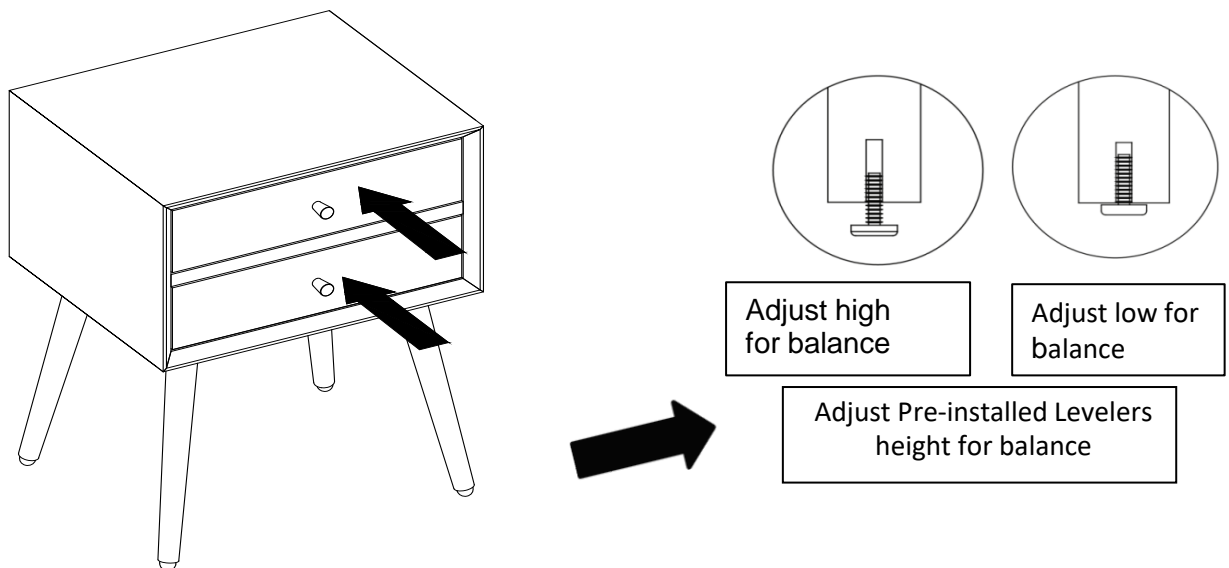
Open the Door of the Nightstand

Step 3.1: Using a Philips Screwdriver (Not Provided)(⑥), take the Handles, which can be found in the Drawer.

Step 3.2: To affix the Handles, align the positions of the Bolts and Handles to the mounting positions of Drawer.

Insert the Bolts through the mounting positions and affix the Handles by using a Philips Screwdriver (Not Provided)(⑥), as shown above.

### Step 4



Close the Door of the Nightstand

Ensure that all bolts and the Handle of the Nightstand are fully driven in and locked in.

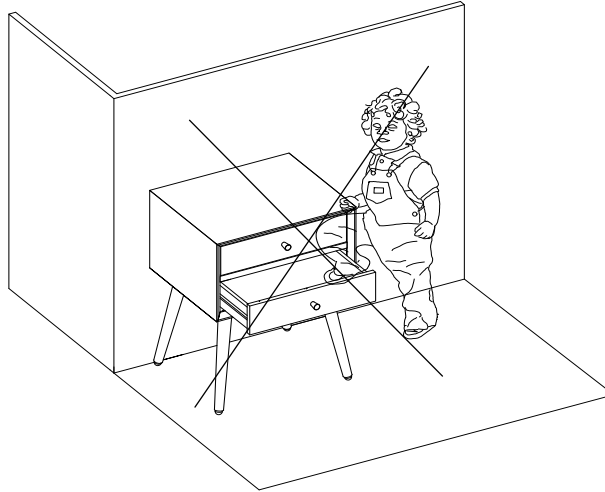
The Nightstand now is ready to be used.

**Caution: This Nightstand can only be used on a flat, level surface.**

# Nightstand Restraint Device Installation Instruction

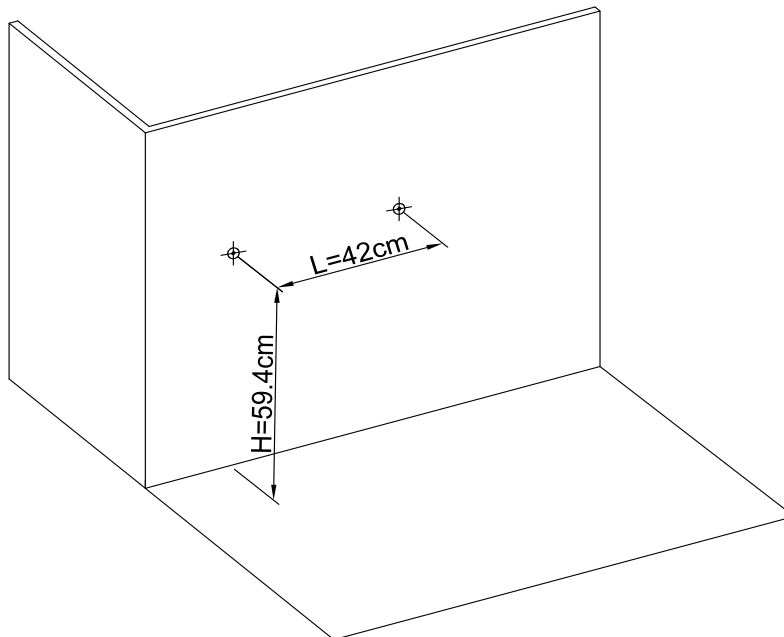


**Serious or fatal crushing injuries can occur from tipping furniture.**  
**To help prevent tip-over: ALWAYS secure this furniture to the wall**  
**using Nightstand Restraint Device.**  
**See product instructions for more ways to help prevent furniture tip-overs.**

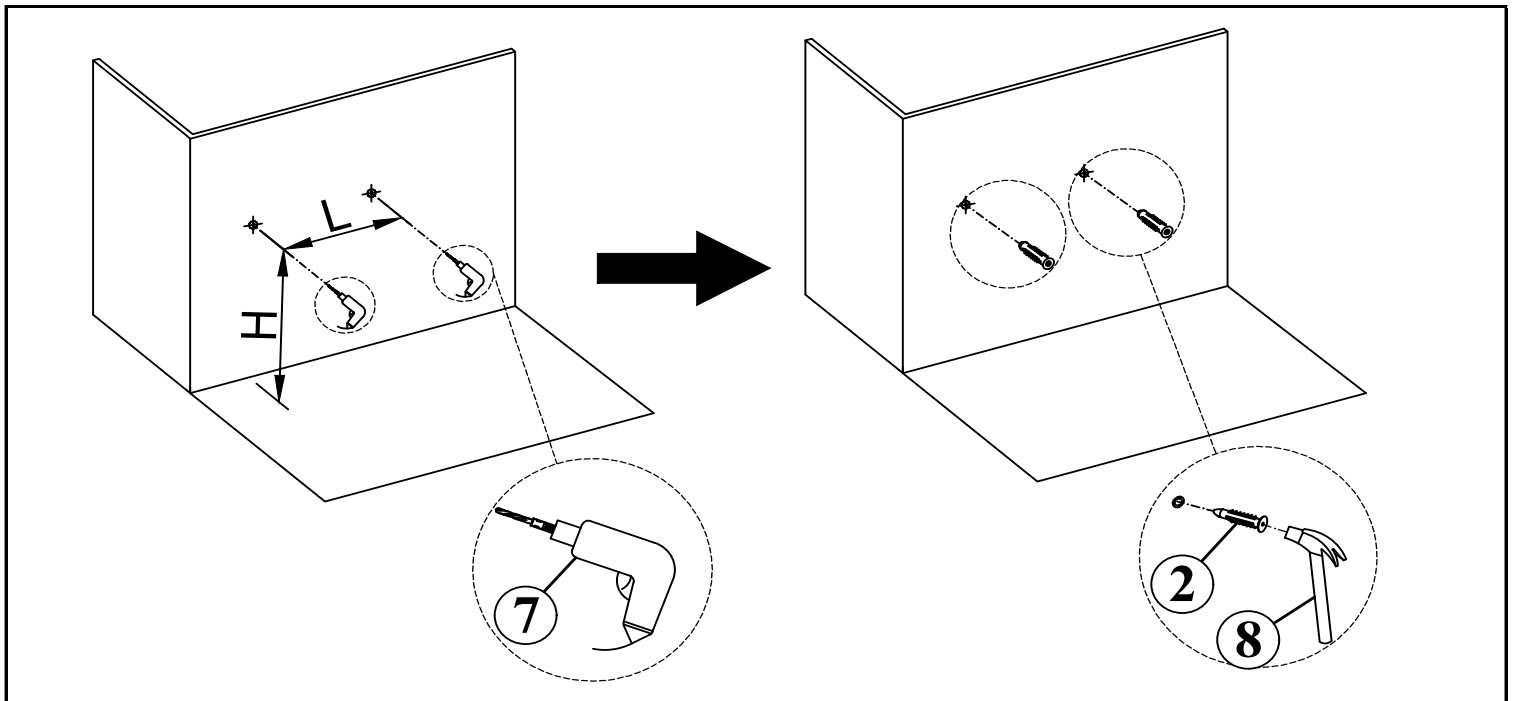


## Usage For Nightstand Restraint Device :

**To secure the Nightstand against the wall, affix 2pcs L-shape Metal Brackets (①) to the wall and to the Nightstand, then use the Self tapping screws (④) to connect the L-shape Brackets (①) to the wall. Find details as below:**

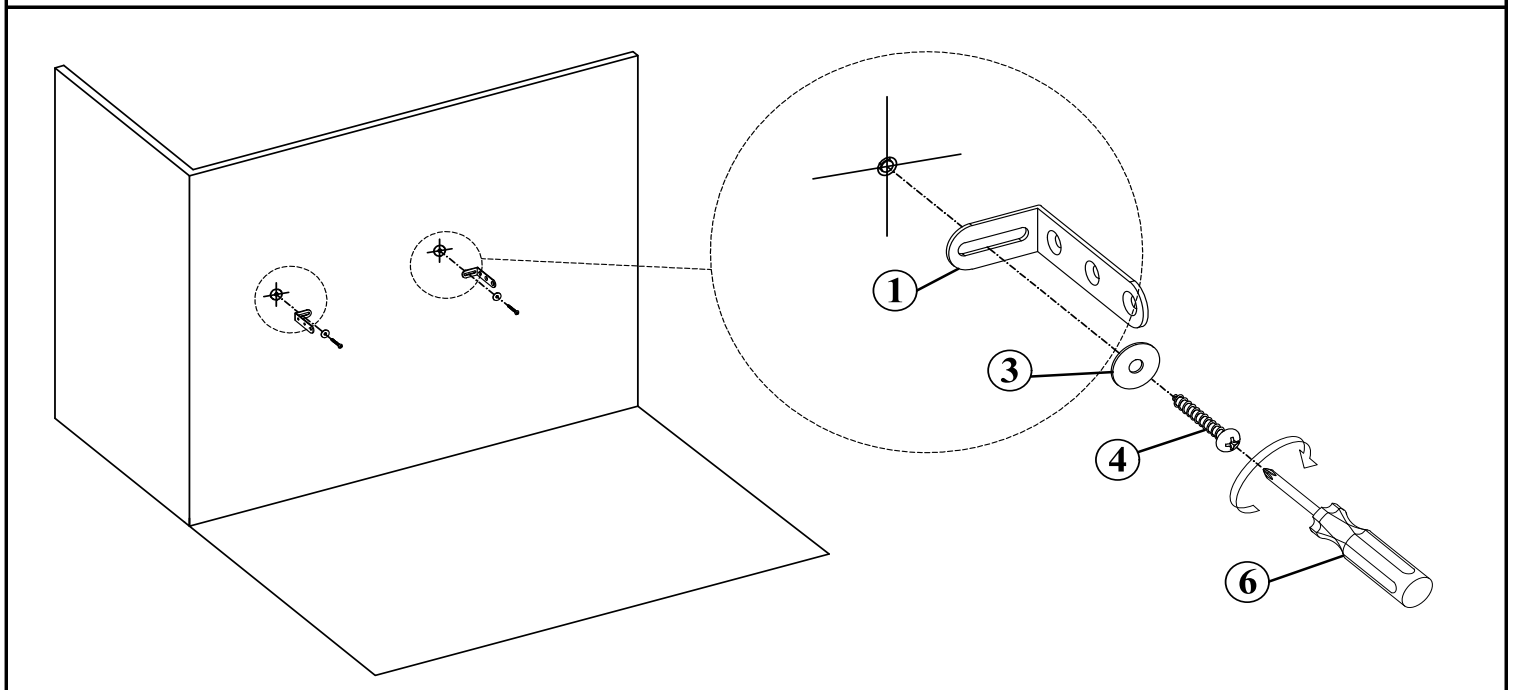


**A : Determine the location where the screws should be inserted into the wall.**  
**Mark the point at the same height and length on the wall as shown above.**



**B : Affix the Plastic Anchor to the wall**

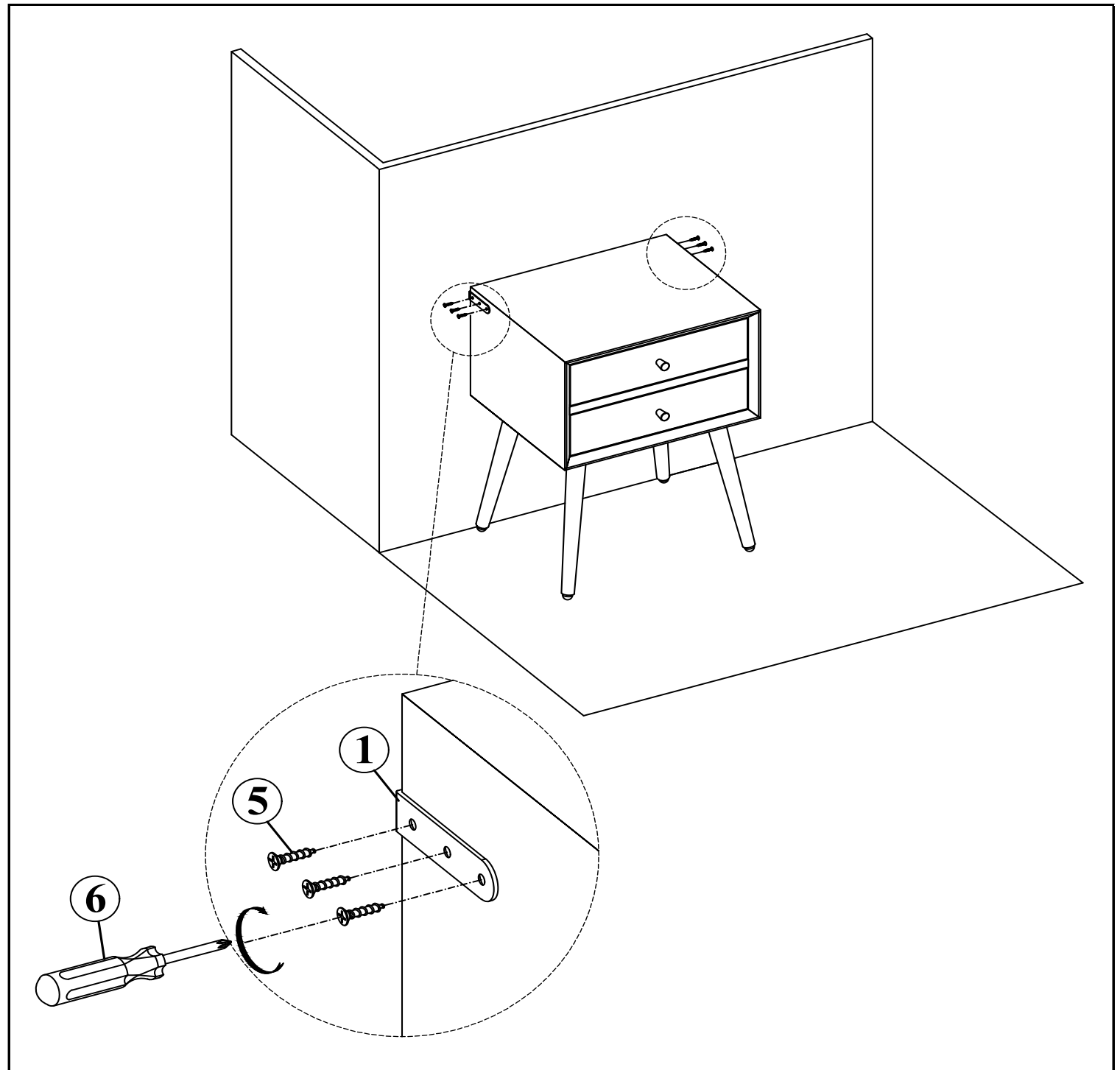
Using a Power Drill (7) (not provided), drill a hole on the wall, then insert a Plastic Anchor (2) into the hole using a Hammer (8) (not provided). Repeat this step to affix the other Plastic Anchor (2) into the wall, as shown above.



**C: Affix the L-shaped Metal Bracket (1) to the wall.**

Then affix one L-shaped Metal Bracket (1) to the hole in the wall using the Self Tapping Screws (4), Washer (3) and Screwdriver (6) (not provided), as shown above.

Repeat this step to affix the other Metal Bracket (1) to the wall as shown above.



D: Move the Nightstand against the wall. Then connect the L-shaped Metal Bracket (①) to Nightstand position on the wall by using the Self Tapping Screws (⑤) and Screwdriver (⑥)(not provided), as shown above. The Nightstand Restraint Device is now installed and is ready for use.