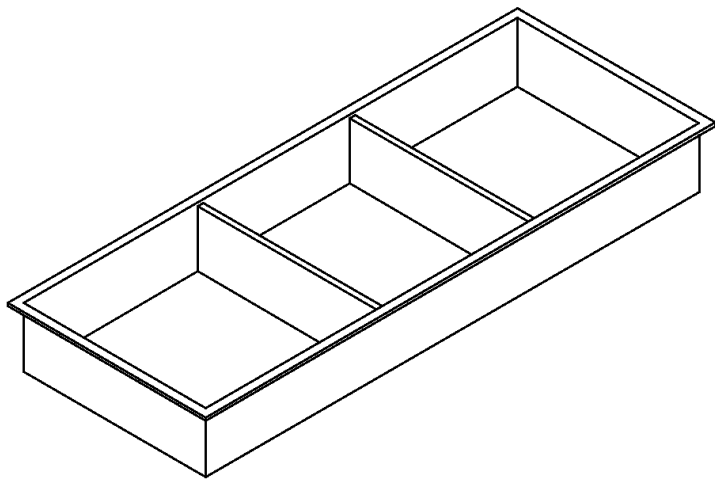


Stainless Steel Shower Niche

Model: SN-12×36 inch

12"×36" Three grids Shelf



If you need product support and video tutorials,
please contact our customer service for assistance

ASSEMBLY
INSTRUCTION

Stainless Steel Shower Niche

Installation Instruction

Thanks for choosing stainless shower niche. Please read these operating instructions in full before your installation. Keep these operating instructions in a safe place so that they may be consulted at a later stage.

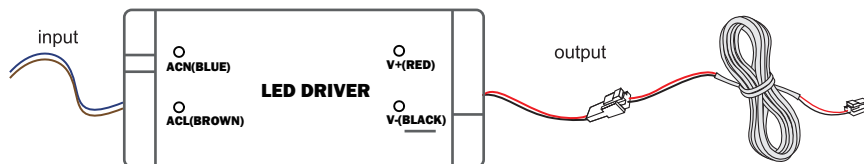
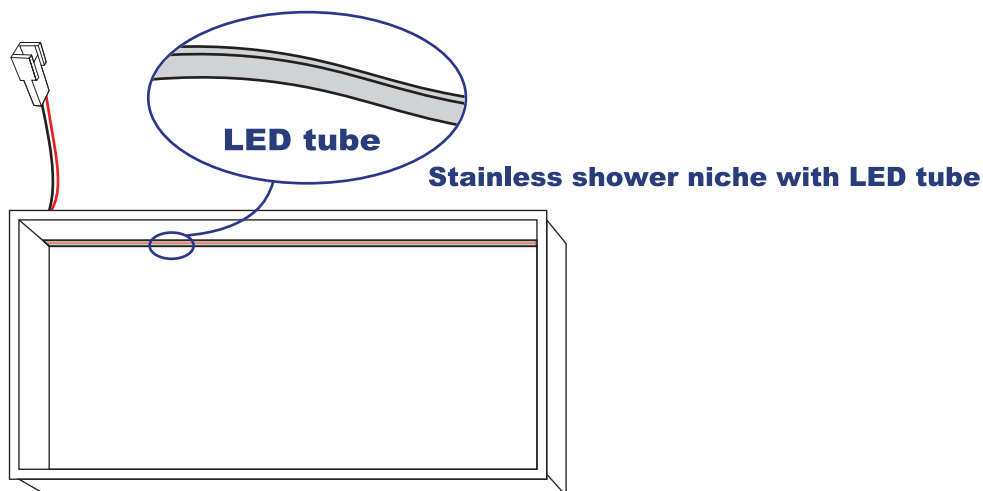
Please check content of the package for completeness and integrity before proceeding with the assembly. Do not install if any deviations are noted.

shower niche with LED should be installed and connected by a professional installer / electrician. Install the product in compliance with local and national laws and regulation.

NOT recommended for DIY.

1. Your individual scope of delivery

stainless niche set is supplied with the following basic components:



Led driver (12W) with cable(5m)

2.Safety

2.1 Intended use

stainless niches and associated system components are intended solely for production of accent lighting in indoor areas, including rooms with intermittent humid environmental conditions (e.g. bathrooms). The intended use requires the exclusive use of the system components mentioned in these operating instructions in the permissible combinations stated. Any use deviating from this is deemed misuse.

2.2 Foreseeable misuse

The led driver operates with 100-240 V mains voltage on the input side. If stainless niches with led lights are used contrary to the specifications in these operating instructions, such use could result in property damage and personal injury.

–Never work on an electrical system when the power is still on.

- Do not open components of the LED system and led driver. Never store or use the led driver at temperatures in excess of 45 °C.
- Never expose the led driver to direct moisture penetration (e.g. splash water). Never use the LED light in explosive atmospheres. Never operate the LED system in rooms with a continuous humidity level of > 80%.
- Never cut through the mains cable or remove it from the led driver.
- Work on permanently or temporarily live components (e.g. power switch) must only be carried out by qualified electricians who are authorised to perform such work at the place of use.
- Ensure that there is sufficient ventilation when installing the led driver.

3.Installing and connecting

Prior to installation, it is necessary to determine where led driver is to be installed, where cables are to be laid. Led driver must be placed easily accessible for daily maintenance.

3.1 Installation requirements

The following basic requirements must be met to ensure that the LED system operates as intended and that hazards are avoided:

- A free power switch must be available within range of the mains cable in order to connect the led driver.

- All cables, plug connections and system components must be kept permanently dry.
- The cable length in one strand must not exceed 10 m.
- LED tubes must never be bent with a bending radius < 500 mm and ever be bent laterally over the flanks.

Special features regarding installation in humid rooms

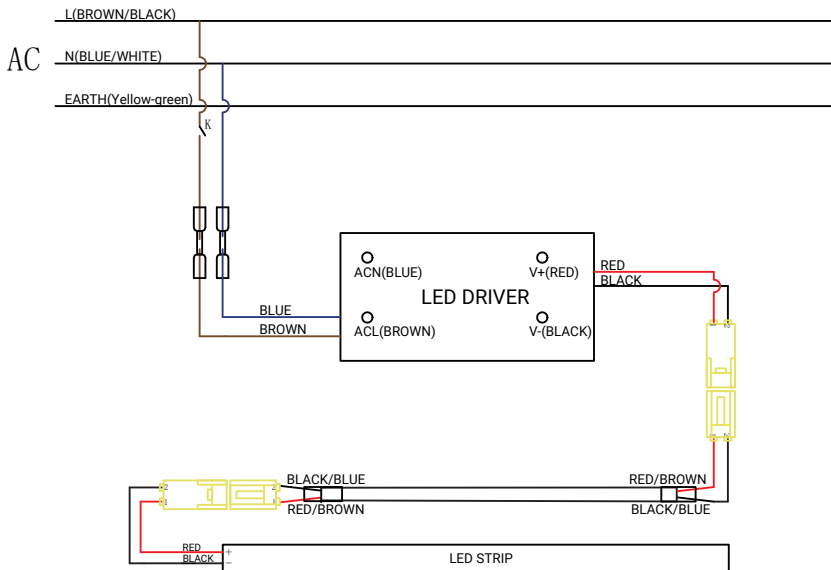
- Any penetration of moisture into components of the LED system must be permanently prevented.
- The environment must make intermittent drying possible.
- When the led light has been switched off, there is some temporary voltage remaining on the secondary output, which decomposes within about 10 minutes. At this stage, no LED may be connected, as they will be damaged otherwise.

3.2 Installing and connecting components

Fastening the led driver

1. The led driver must be fixed in its intended position to ensure that led driver does not slip out of place and pull on the connection cables.

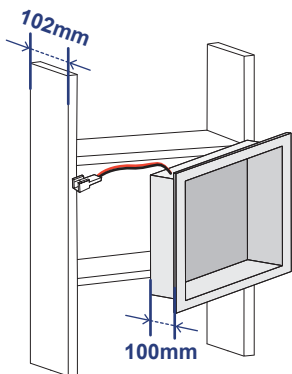
Photo Below shows how to connect led driver and led strip.



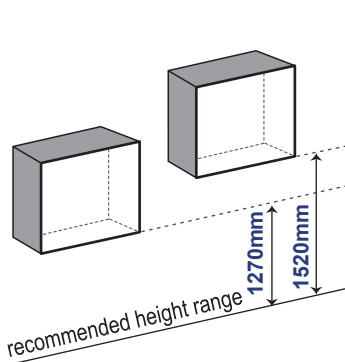
Before connect to power switch, please check input and output carefully

2. We recommend laying extension cables behind building panels or in empty conduits. The laying of the cables must be planned in such a way that the intended positions are reached with the specified cable lengths.

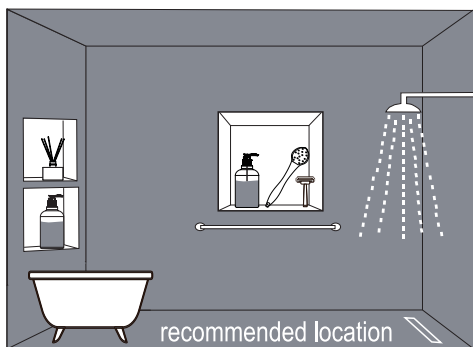
3. The following tools and materials maybe needed: Stud finder, Saw & Utility knife, Level, Ruler or Tape measure, Pencil, Notched trowel, Silicone sealant, Waterproof membrane. The substrate surface should be smooth, level, clean and free of all dirt, oil, paint, concrete sealers or curing compounds.



1. Wall stud thickness should not be less than 102mm.



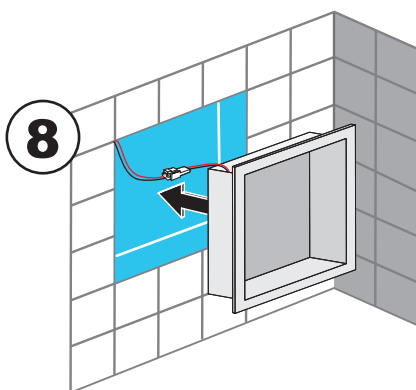
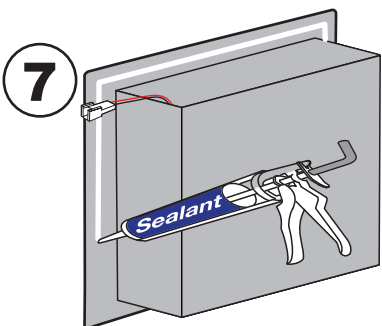
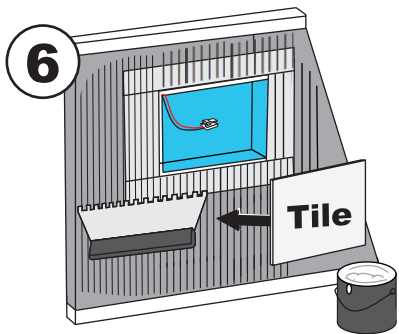
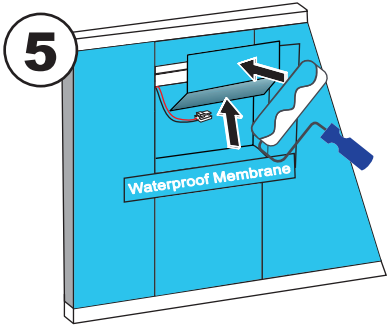
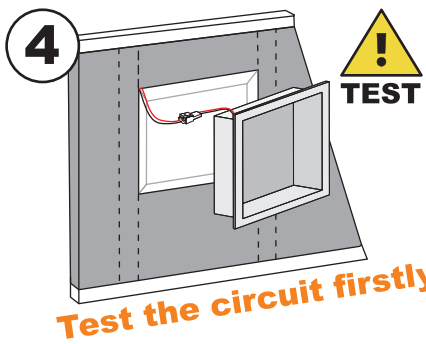
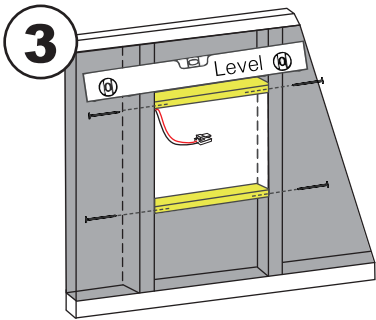
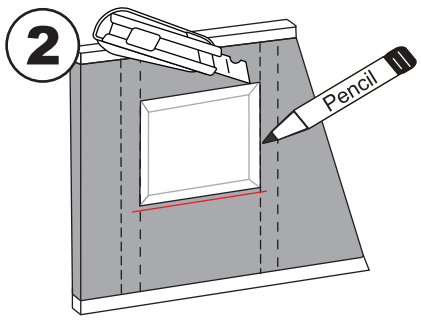
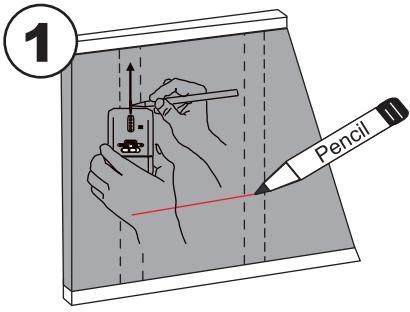
2. Ideal height for shower niche, around from 1270mm to 1520mm.



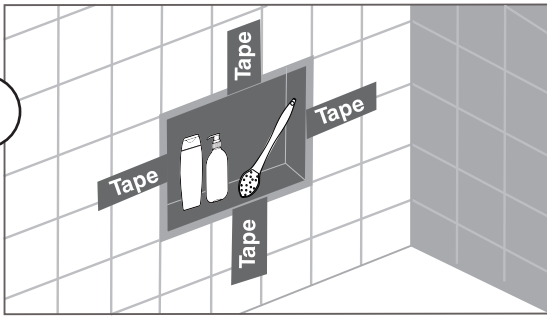
3. Recommend Location. Opposite or adjacent wall to shower head.

4. Using the niche

The following example shows how a stainless niche is inserted into a wet wall or dry wall, which are applicable for existing wall before tiling, do not cover any possible situation. Always consult with licenced professional during preparation and installation.



9



please wait for more than 48 hours before first use.

Care & Maintenance

After installation, some aggressive substance such as sealant, adhesive, mortar maybe cause “yellow spot” on the brushed surface, recommend using scour pad to remove such “spot”, and always brushing in the direction of the grain.

- Periodically clean the fixture with mild liquid dish detergent and clean rag. If there is any soap scum left after rinsing, use a sponge or micro-fibre rag to carefully remove the material.
- To reduce the chance of scratching, take care to wipe in the direction of the grain (direction of striations).
- Do not use abrasive cleaners, rubbing alcohol, detergents, chlorine bleach based cleaners, aggressive chemicals, abrasive cleaning pad, or harsh polishes on the fixture. Use of such substance may void the warranty.
- If you are using a chlorine bleach containing cleaner in your shower, make sure that you avoid the niche surface and promptly remove any residue that may end up on the niche surface.



*** Scour Pad**

Only be allowed to remove stain on brushed finish.



HAPPY?

Tell your friends and family
Share your experience on Amazon
Let more people know



NOT HAPPY?

Our friendly customer service team
will work hard to put a smile back on your face.
Please contact us via Amazon.