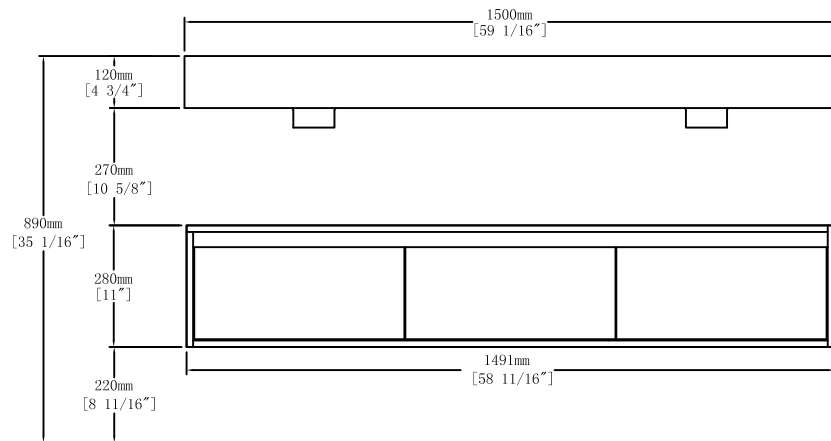
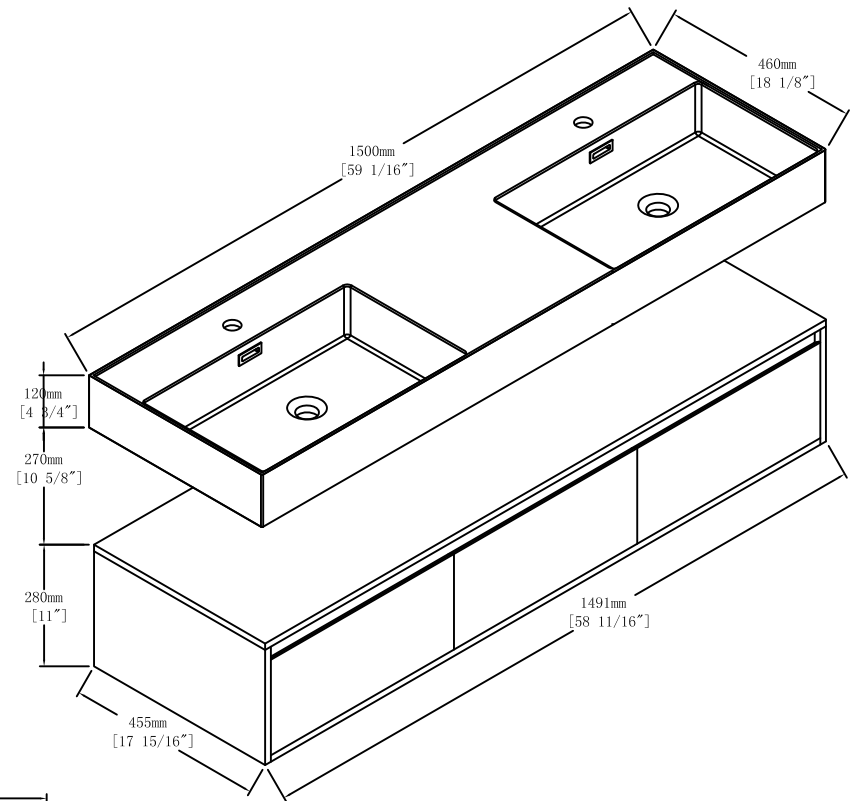
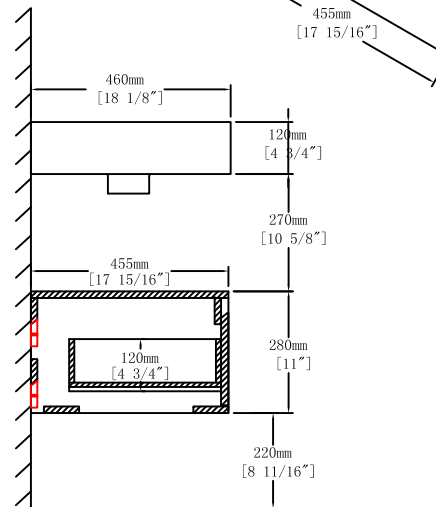


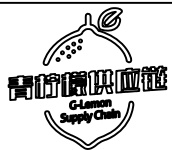
Top View



Front View



Side View



Item NO.

BV B09460-60"

Version

V1

Project

Date

2024-7-15